



UI Bulletin #123c

Subject: Roof Beacon (TRW) Switch Wiring Location/Access

Models Years Affected: 2014-19 Chevrolet Silverado 1500 LD
2014-19 GMC Sierra 1500 LD
2015-19 Chevrolet Silverado 2500/3500 HD
2015-19 GMC Sierra 2500/3500 HD
With option TRW

Origination Date: February 6, 2015

Revision Date: April 25, 2018

ADVISORY:

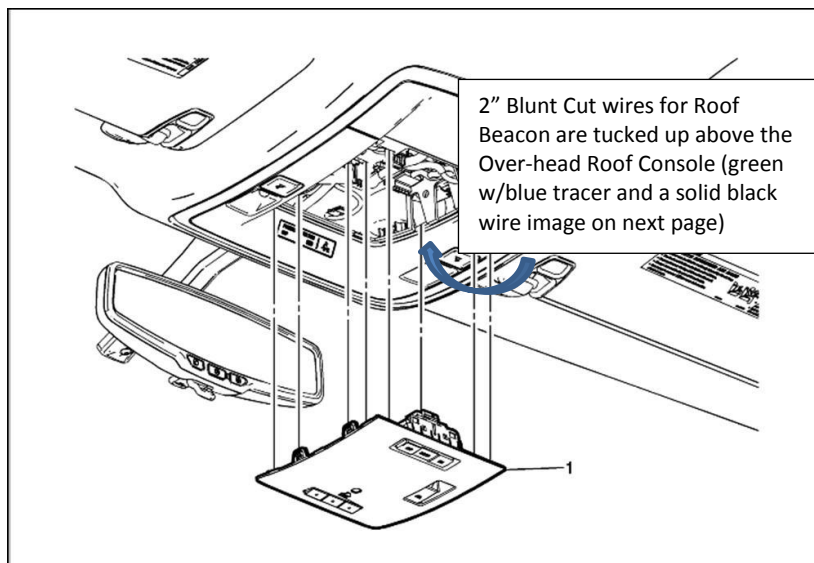
NOTE: This bulletin does not apply to the 2019 New Body Style models

Condition/Concern:

Customer and Upfitters may made several inquiries in search of the location and access methods for the blunt cut wiring for the Roof Beacon provision option (TRW). NOTE: Blunt cut wires are only ~ 2 inches in length.

Repair/Recommendation:

The following illustration are intended to provide information on wire locations and how to remove the center panel/section of the Overhead Console to gain access to the provided blunt cut wires.



Roof Console Removal

To access the blunt cut wires for the roof beacon, remove center section of the Roof Console as follows...

1. Use a flat bladed plastic trim tool in order to release the retainer clips securing the trim plate to the roof console assembly.
2. Disconnect electrical connections where/when required.

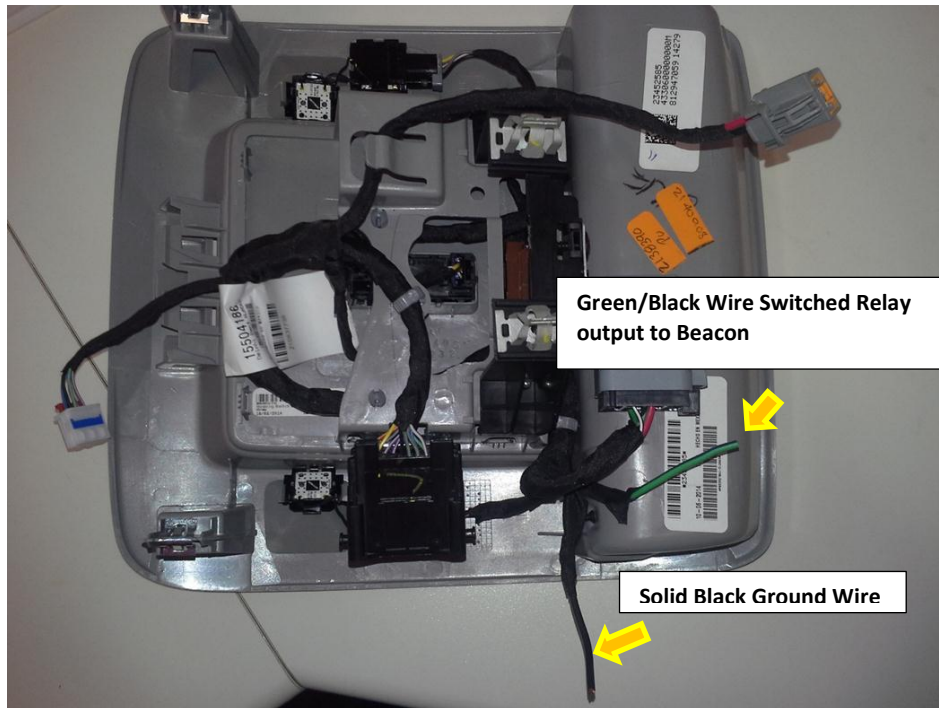
General Motors Upfitter Integration

<http://www.gmupfitter.com>



UI Bulletin #123c

Top View of Removed Overhead Roof Console



Green/Black Wire Switched Relay output to Beacon

Solid Black Ground Wire



UI Bulletin #123c

Roof Beacon (TRW) Provision Schematic:

