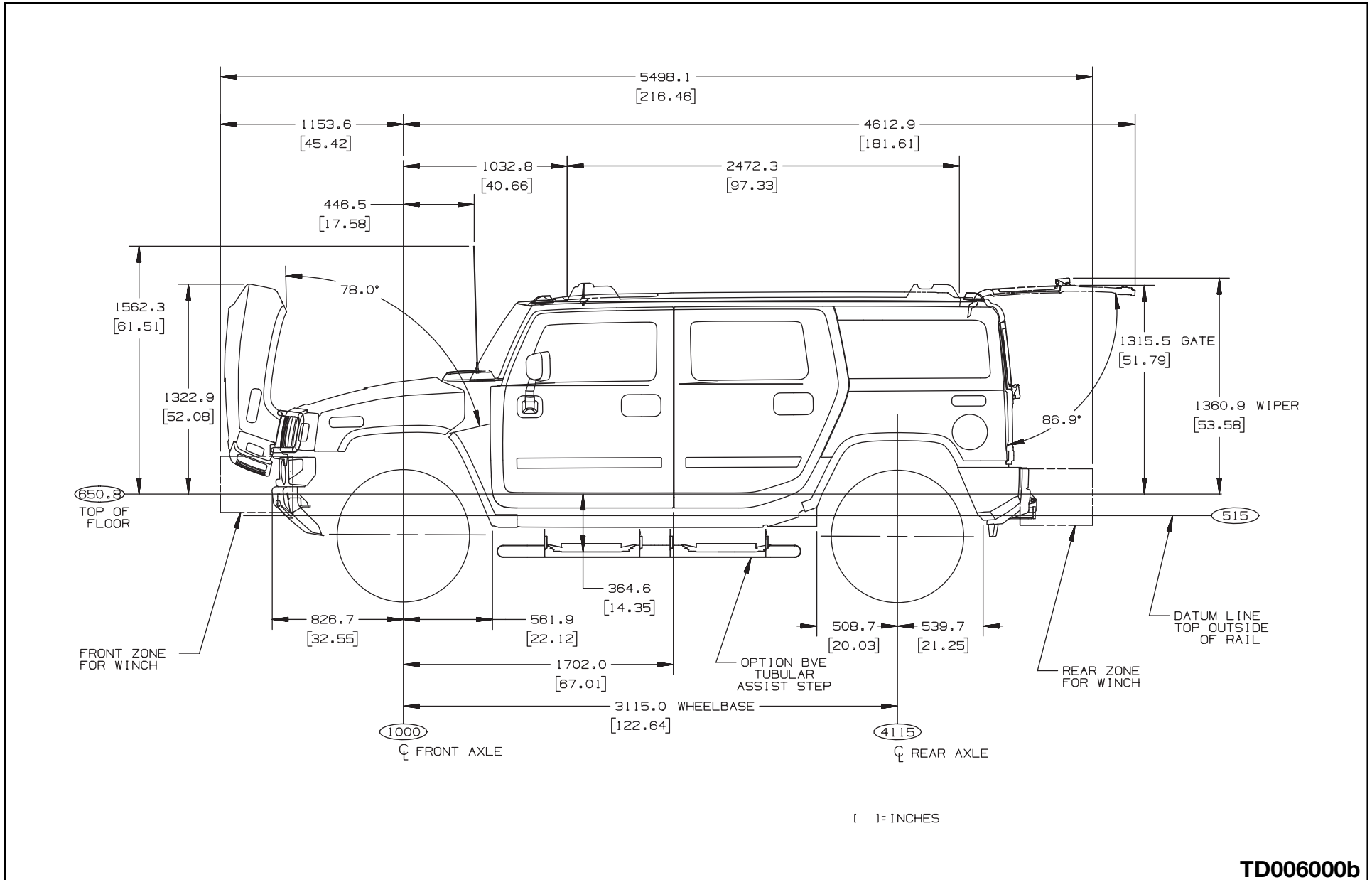


HUMMER, H2 – SPORT UTILITY VEHICLE (SUV)

Exterior General Arrangement - N25706	1
Exterior General Arrangement - N25706	2
Interior Seating - N25706	3
Interior Seating - N25706	4
Frame & Crossmember Arrangement - N25706	5
Front Axle/Suspension Tire Data - N25706	6
Rear Axle/Suspension Tire Data - N25706	7
Exhaust System & Fuel Tank - N25706	8

HUMMER, H2 – SPORT UTILITY VEHICLE (SUV)

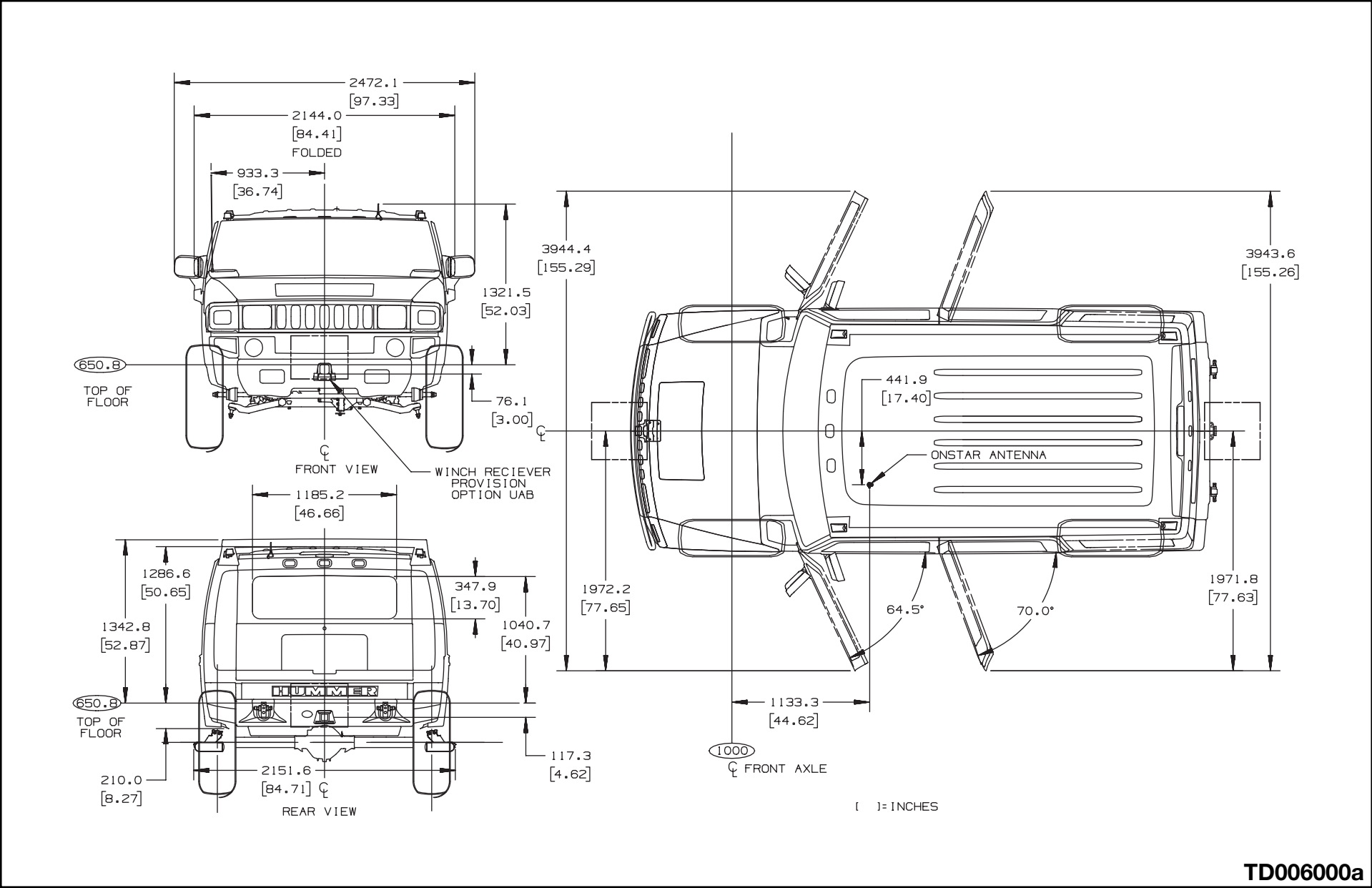
Exterior General Arrangement - N25706



TD006000b

HUMMER, H2 – SPORT UTILITY VEHICLE (SUV)

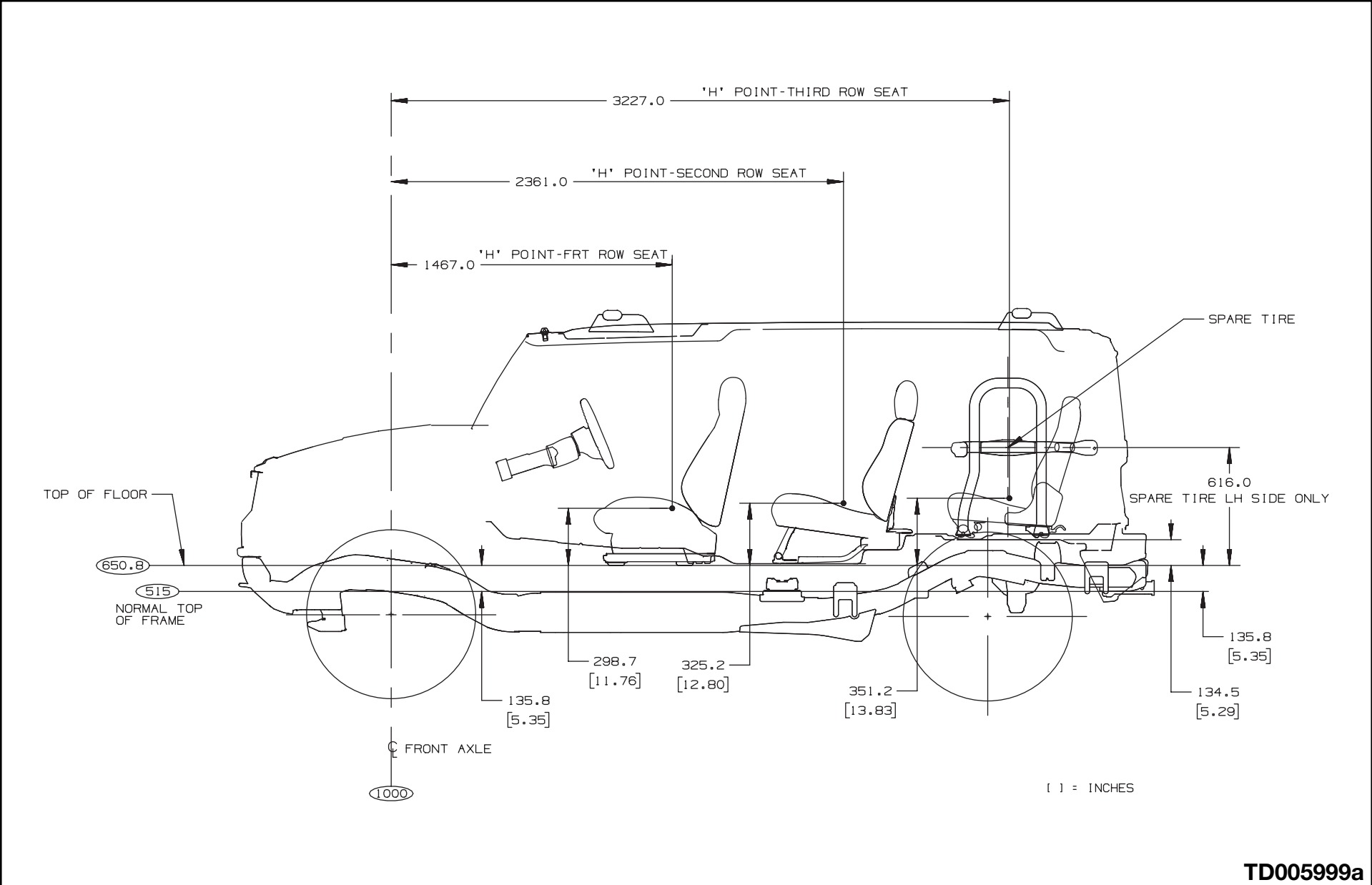
Exterior General Arrangement - N25706



TD006000a

HUMMER, H2 – SPORT UTILITY VEHICLE (SUV)

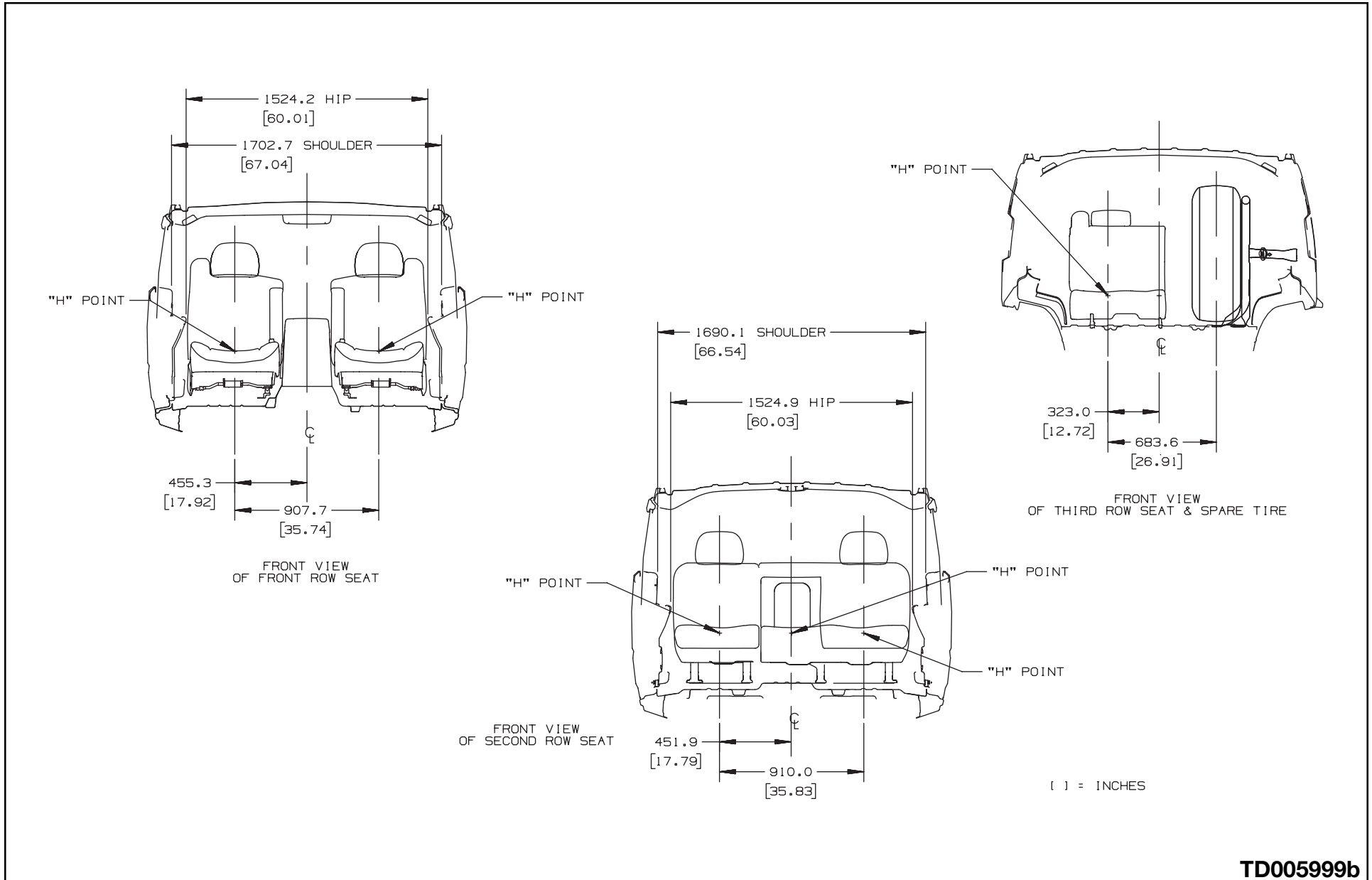
Interior Seating - N25706



TD005999a

HUMMER, H2 – SPORT UTILITY VEHICLE (SUV)

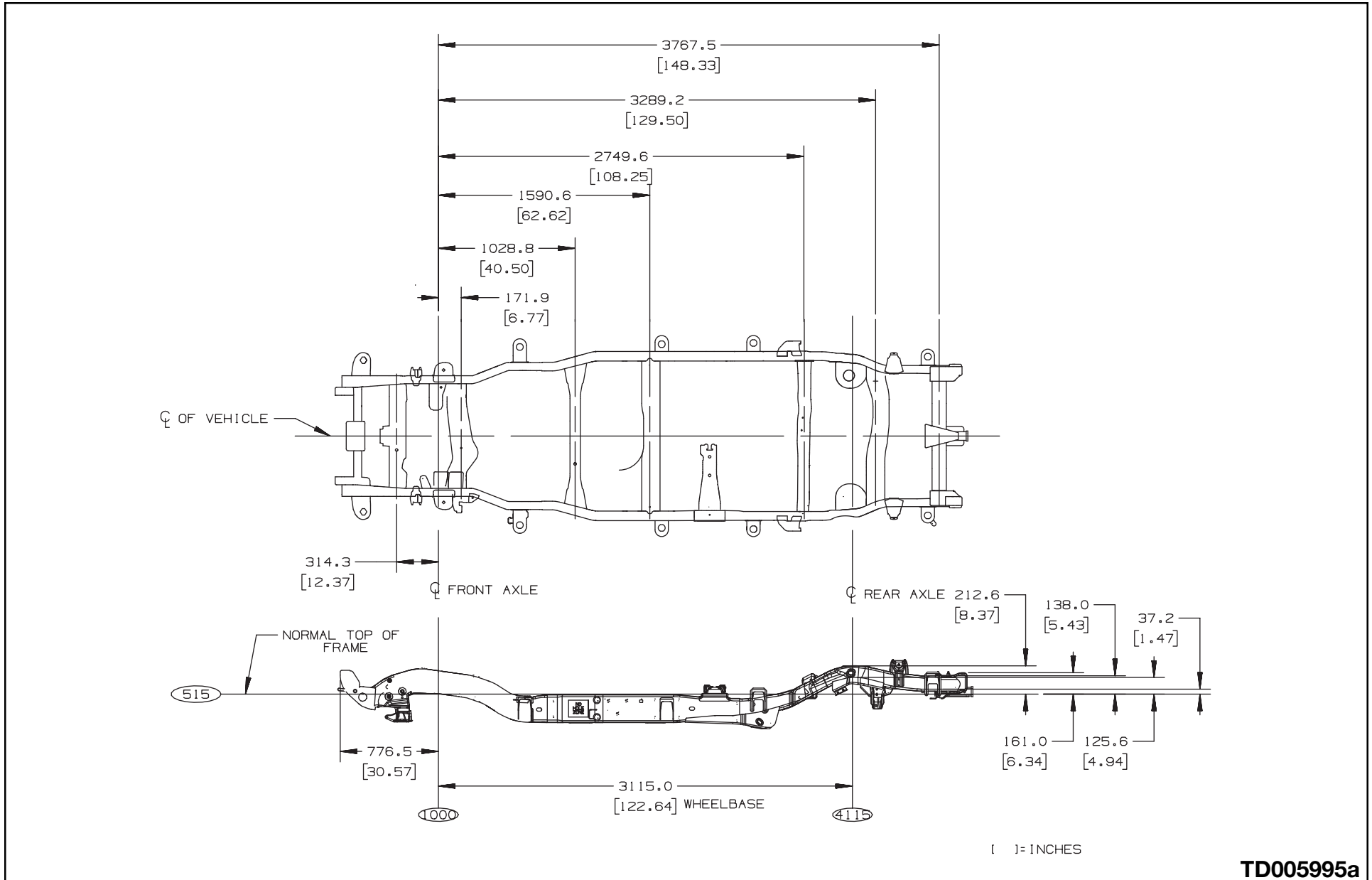
Interior Seating - N25706



TD005999b

HUMMER, H2 – SPORT UTILITY VEHICLE (SUV)

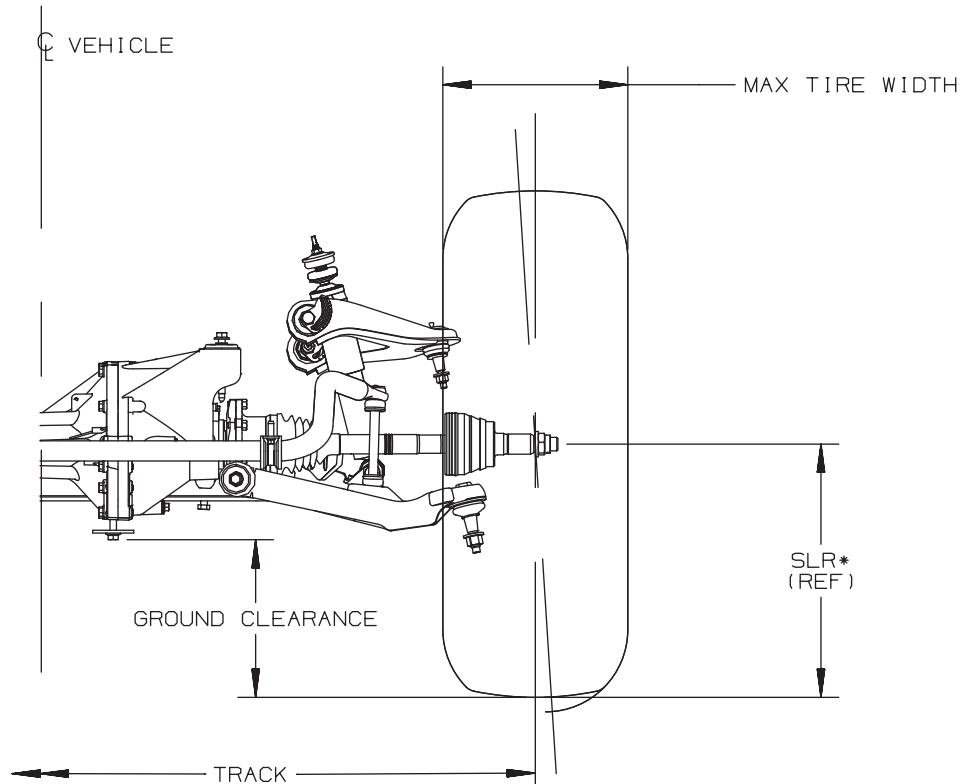
Frame & Crossmember Arrangement - N25706



TD005995a

HUMMER, H2 – SPORT UTILITY VEHICLE (SUV)

Front Axle/Suspension Tire Data - N25706



* MINIMUM GROUND CLEARANCE TO BE CALCULATED BY USING GROSS AXLE WEIGHT & RECOMMENDED TIRE PRESSURE

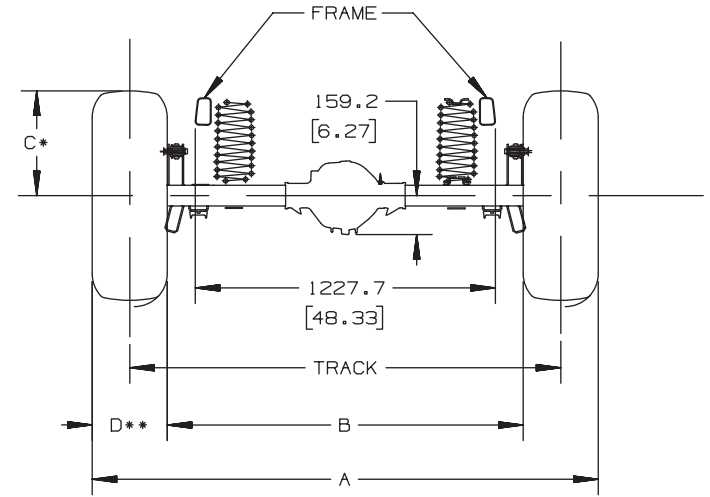
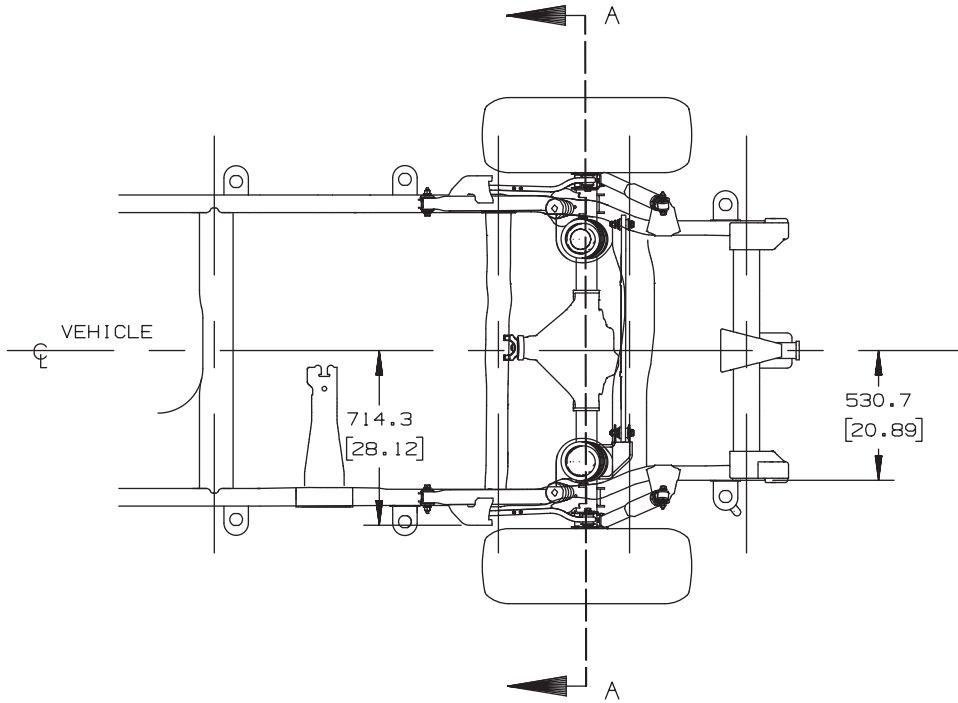
SERIES	TIRE	MAX GVW	REAR WHEEL	TRACK	WHEEL OFFSET	GROUND CLEARANCE	MAX TIRE WIDTH
N25706	LT315/70R17/D	8600	SINGLE	1762.0 (69.37)	31.0 (1.22)	228.0 (8.98)	329.0 (12.95)

[] = INCHES

TD005997a

HUMMER, H2 – SPORT UTILITY VEHICLE (SUV)

Rear Axle/Suspension Tire Data - N25706



SECTION A - A
ROTATED 90°

SINGLE WHEELS

A = TRACK + D

TIRE CHAINS NOT INCLUDED B = TRACK - D

TIRE 315 AIR

* MAX GROWN TIRE RADIUS ON NARROWEST RIM

** MAX GROWN TIRE WIDTH ON WIDEST RIM

SERIES	TIRES	GVW RANGE	REAR WHEEL	TRACK	WHEEL OFFSET	DIM A	DIM B	DIM C*	DIM D**
N25706	LT315/70R17/D	8600	SINGLE	1762.8 (69.40)	31.0 (1.22)	2091.8 (82.35)	1433.8 (56.45)	450.3 (17.73)	329.0 (12.95)

[] = INCHES

HUMMER, H2 – SPORT UTILITY VEHICLE (SUV)

Exhaust System & Fuel Tank - N25706

