

U/X CROSSOVER SPORT VAN (CSV)

MODEL/MERCHANDISING CHART	1
BODY	
Exterior General Arrangement – U11400.....	2
Exterior General Arrangement – U/X12200.....	3
Front End Sheet Metal – U/X10000	4
Glass Area – U11400	5
Glass Area – U/X12200	6
Signage Area – Chevy Uplander U11400.....	7
Signage Area – Chevy Uplander U/X12200.....	8
Signage Area – Pontiac Montana U/X11400.....	9
Signage Area – Pontiac Montana U/X12200.....	10
Signage Area – Buick Terraza U/X12200.....	11
Signage Area – Saturn Relay U/X12200	12
Roof Bows Locations – U/X11416.....	13
Roof Bows Locations – U/X12216.....	14
Step In Heights – U11416	15
Step In Heights – U12216	16
Rear Cargo Volume Area – U/X12216.....	17
Hood.....	18
Seating Arrangements – U11416 (Chevy, Pontiac, Saturn).....	19
Seating Arrangements – U12216 (Chevy, Pontiac, Saturn).....	20
Seating Arrangements – U11416 (Buick).....	21
Seating Arrangements – U12216 (Buick).....	22
Seating Arrangements – U12216 & Z10 Cargo (Chevy).....	23
Seat Mounting Locations, First & Second Rows – U11416	24
Seat Mounting Locations, Third Row – U11416	25

U/X CROSSOVER SPORT VAN (CSV)

BODY (Continued)

Seat Mounting Locations, First & Second Rows – U12216	26
Seat Mounting Locations, Third Row – U12216	27

UNIBODY

Crossmember Locations – U11400	28
Crossmember Locations – U12200	29

FUEL

Fuel Tank Location – U11400	30
Fuel Tank Location – U12200	31

GENERAL ARRANGEMENT

General Arrangement, Fuel & Exhaust – U12216	32
General Arrangement, Fuel & Exhaust – U11416	33

TRAILER HITCH

Trailer Hitch Location – U10016	34
Trailer Hitch Location – X12216	35

SPARE TIRE

Spare Tire Location – U/X10000	36
--------------------------------------	----

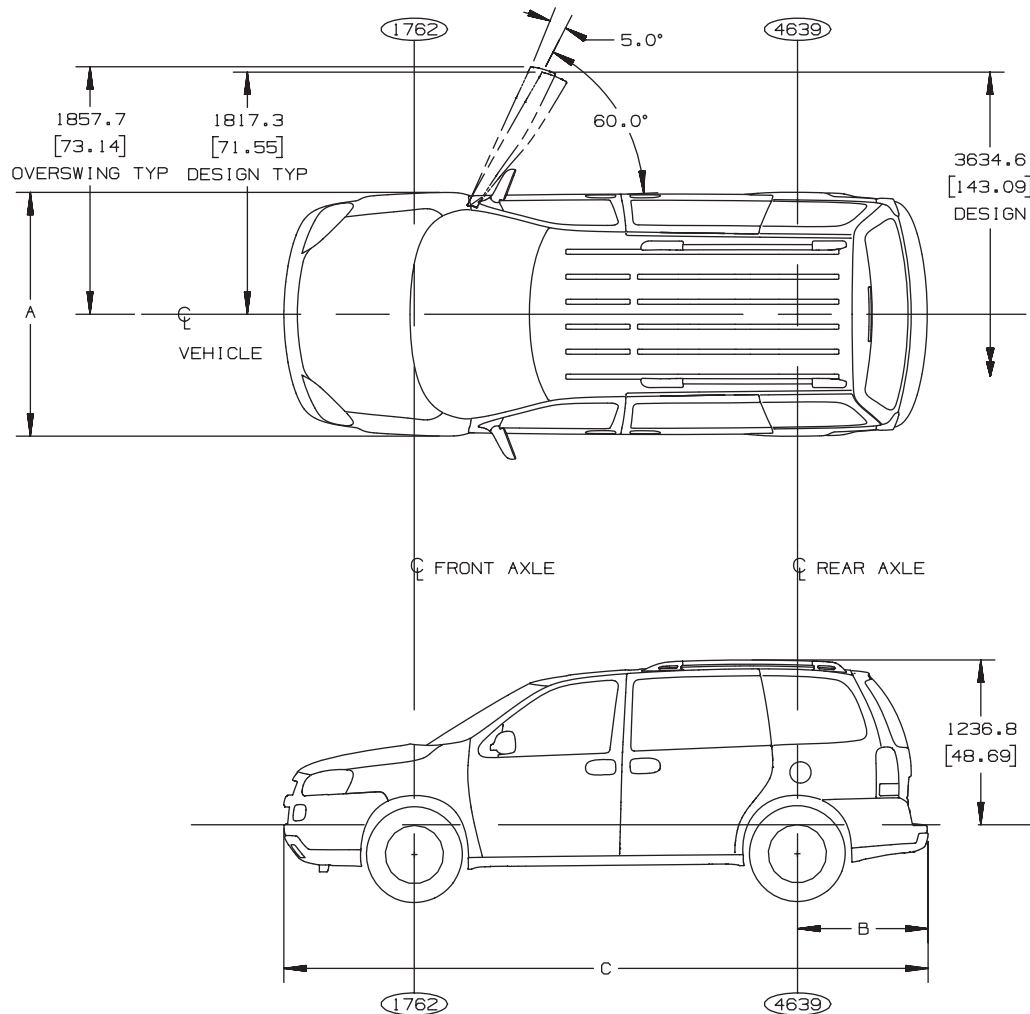
U/X CROSSOVER SPORT VAN (CSV)

Model/Merchandising Chart

MARKETS (Optional)	ENGINEERING MODEL	MODEL / MERCHANDISING DESCRIPTION	MODEL / MERCHANDISING DESCRIPTION	MODEL / MERCHANDISING DESCRIPTION	MODEL / MERCHANDISING DESCRIPTION	MODEL / MERCHANDISING DESCRIPTION	MODEL / MERCHANDISING DESCRIPTION	GVWR (kg/lbs)	WHEELBASE (mm/in)
All (Excluding US)	U11416 (X88)	Chevrolet Reg wheelbase Front wheel drive						2560 / 5645	2875 / 113.2
All	U12216 (X88)		Chevrolet Ext wheelbase Front wheel drive					2560 / 5645	3078 / 121.2
All	X12216 (X88)		Chevrolet Ext wheelbase All wheel drive					2560 / 5645	3078 / 121.2
Canada	U11416 (Z41)			Pontiac Reg wheelbase Front wheel drive				2560 / 5645	2875 / 113.2
US/Canada	U12216 (Z41)				Pontiac Ext wheelbase Front wheel drive			2560 / 5645	3078 / 121.2
US/Canada	X12216 (Z41)				Pontiac Ext wheelbase All wheel drive			2560 / 5645	3078 / 121.2
US/Canada	U12216 (W49)					Buick Ext wheelbase Front wheel drive		2560 / 5645	3078 / 121.2
US/Canada	X12216 (W49)					Buick Ext wheelbase All wheel drive		2560 / 5645	3078 / 121.2
US/Canada	U12216 (WDA)						Saturn Ext wheelbase Front wheel drive	2560 / 5645	3078 / 121.2

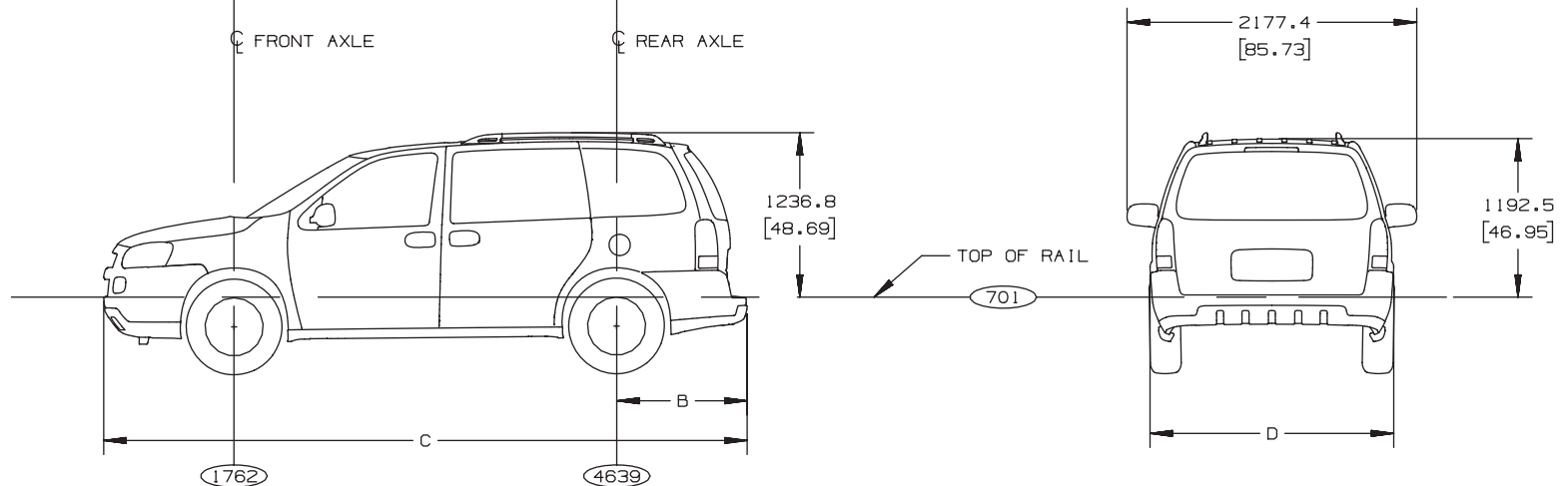
U/X CROSSOVER SPORT VAN (CSV)

Exterior General Arrangement - U11400



	X88	Z41
A	1829.6 [72.03]	1846.9 [72.71]
B	980.0 [38.58]	981.0 [38.62]
C	4835.1 [190.36]	4866.9 [191.61]
D	1831.6 [72.11]	1849.6 [72.82]

TRAVEL INFORMATION FOR HOOD, LIFTGATE, REAR SLIDING DOORS AND FOLDED MIRRORS IS UNAVAILABLE



GMT201 U/X 114 00

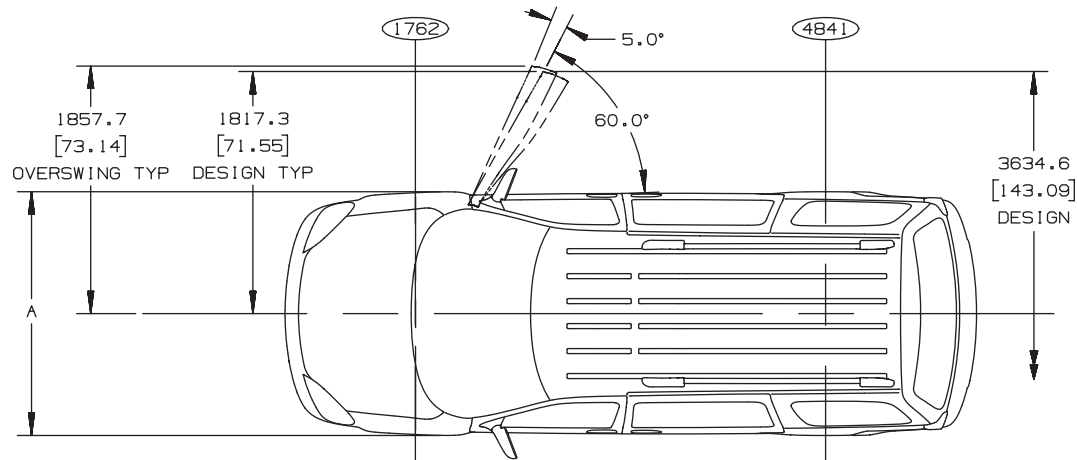
17DE04 NI

[] = INCHES

ANA76138a

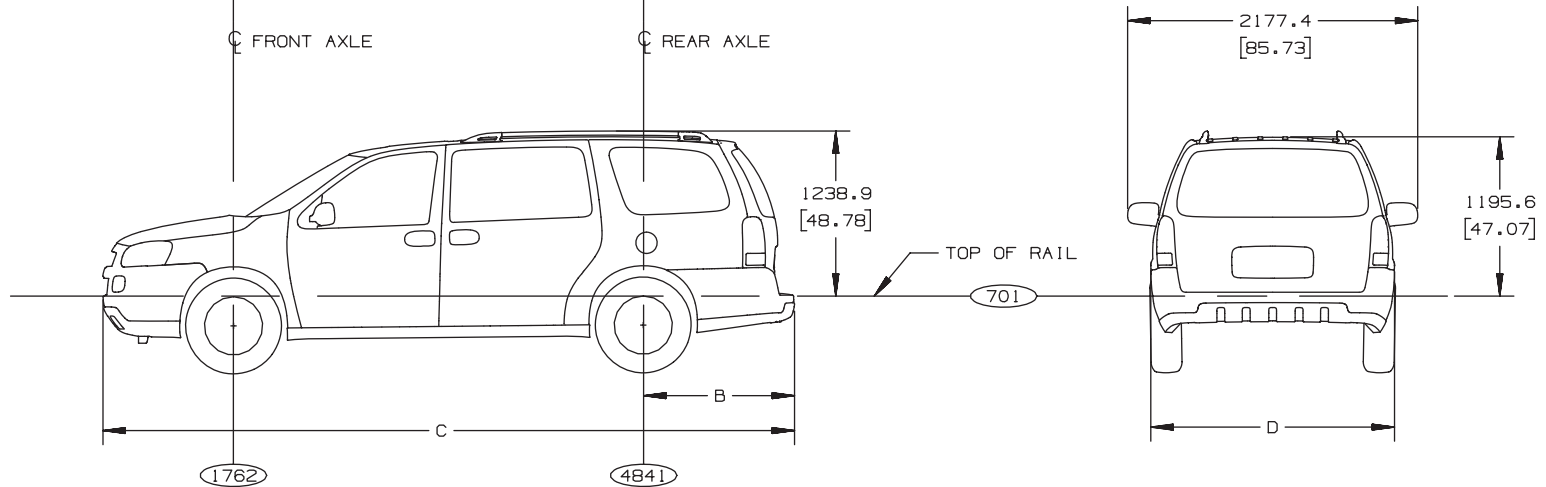
U/X CROSSOVER SPORT VAN (CSV)

Exterior General Arrangement – U/X12200



	X88	Z41	W49	WDA
A	1829.6 [72.03]	1846.9 [72.71]	1829.6 [72.03]	1829.6 [72.03]
B	1133.0 [44.61]	1134.0 [44.65]	1127.1 [44.37]	1128.4 [44.42]
C	5190.1 [204.34]	5221.9 [205.59]	5197.9 [204.64]	5190.1 [204.34]
D	1829.4 [72.02]	1848.1 [72.76]	1829.4 [72.02]	1829.4 [72.02]

TRAVEL INFORMATION FOR HOOD, LIFTGATE, REAR SLIDING DOORS AND FOLDED MIRRORS IS UNAVAILABLE



GMT201 U/X 122 00

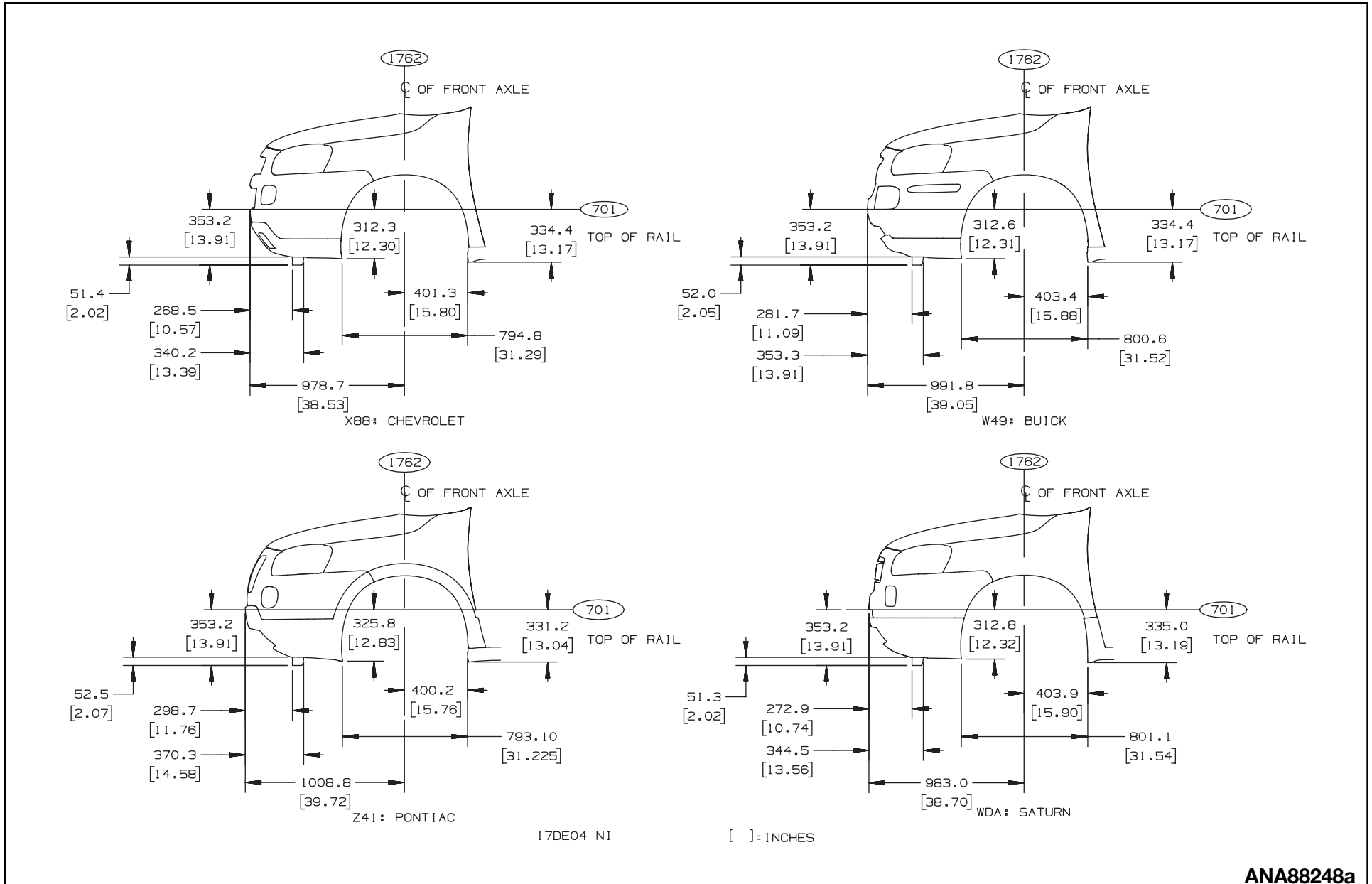
17DE04 NI

[]=INCHES

ANA76138b

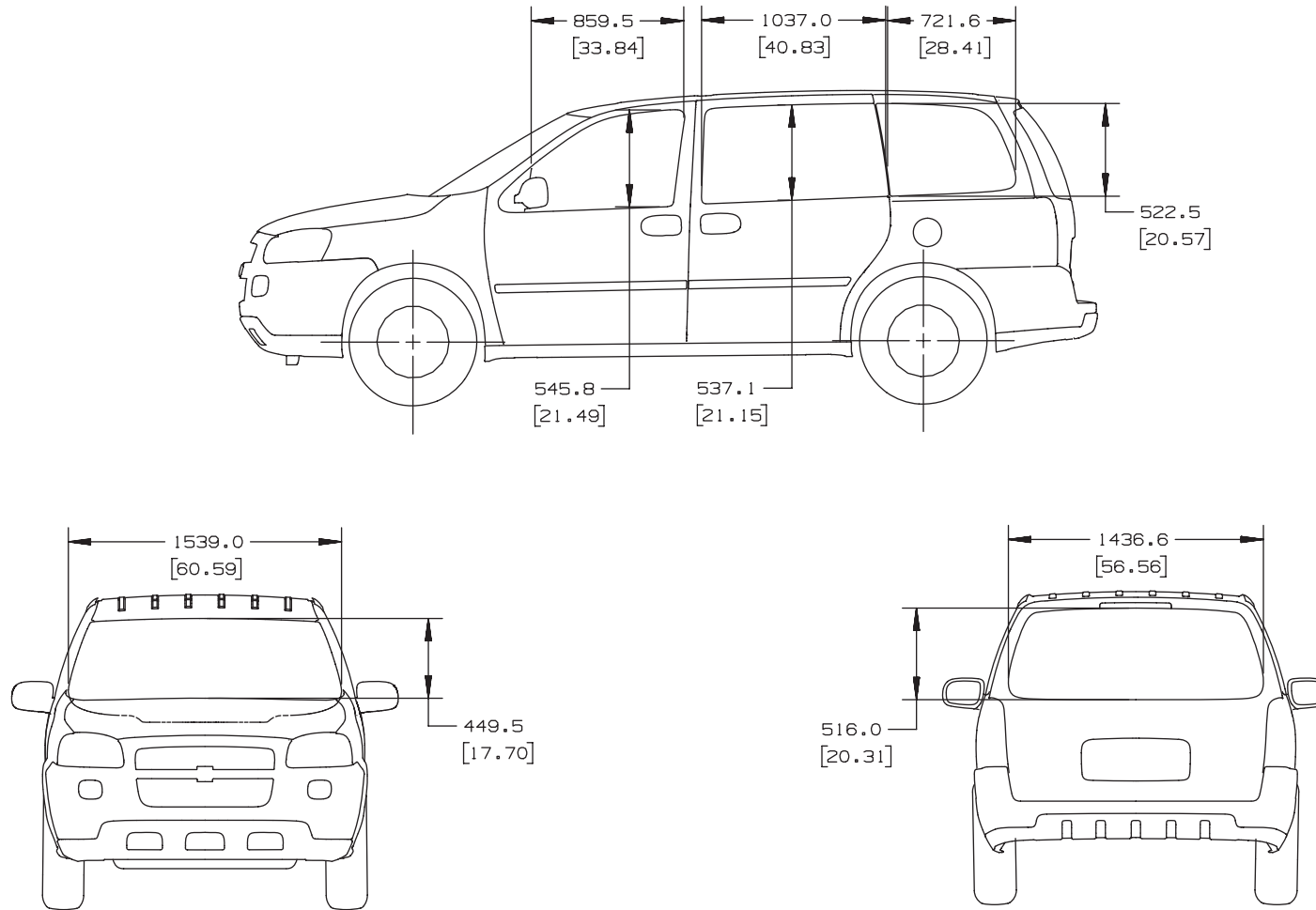
U/X CROSSOVER SPORT VAN (CSV)

Front End Sheet Metal – U/X10000



U/X CROSSOVER SPORT VAN (CSV)

Glass Area - U11400



X88 114" WHEELBASE SHOWN

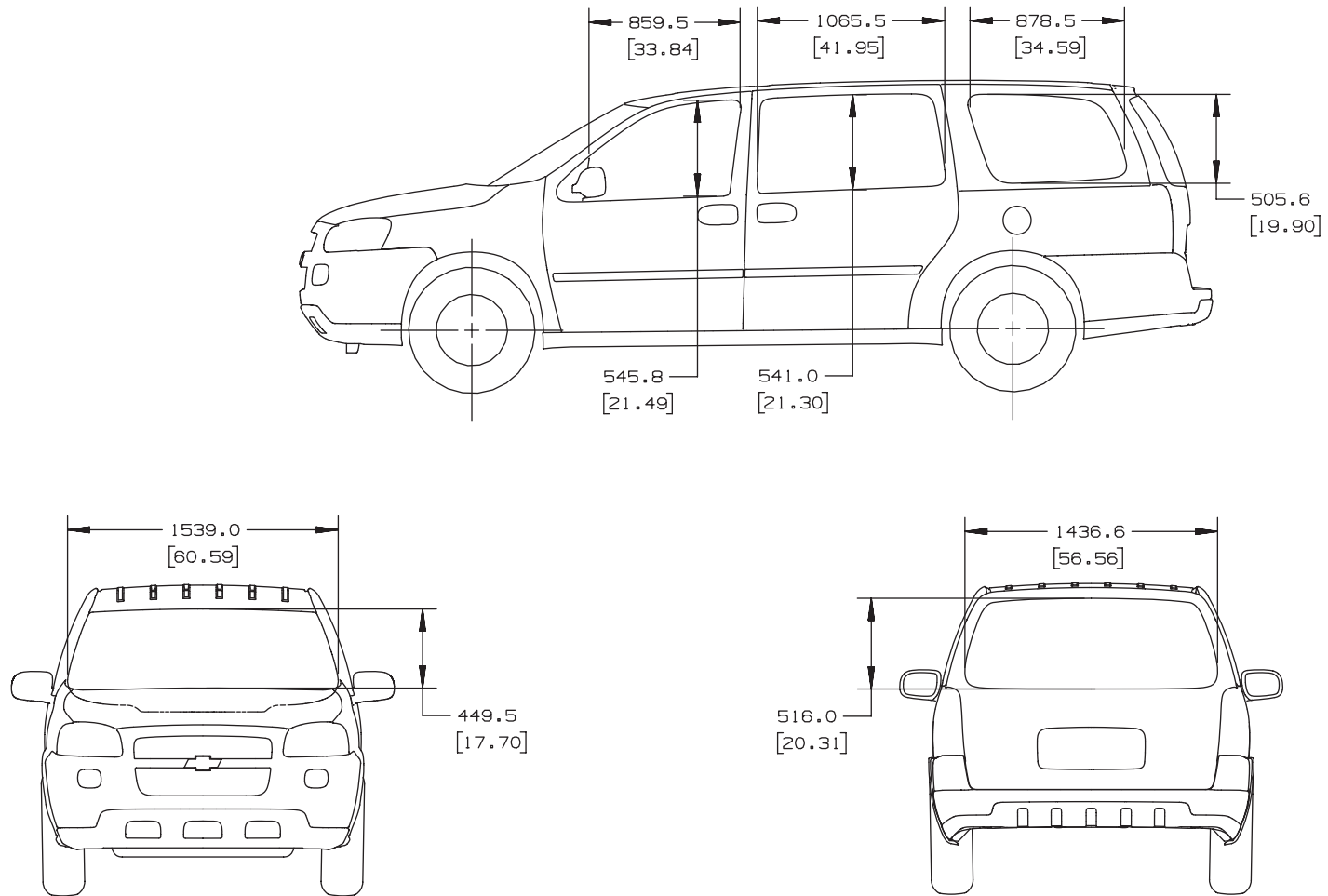
03N004 LMH

[] = INCHES

ANB01673a

U/X CROSSOVER SPORT VAN (CSV)

Glass Area - U/X12200



X88 122" WHEELBASE SHOWN

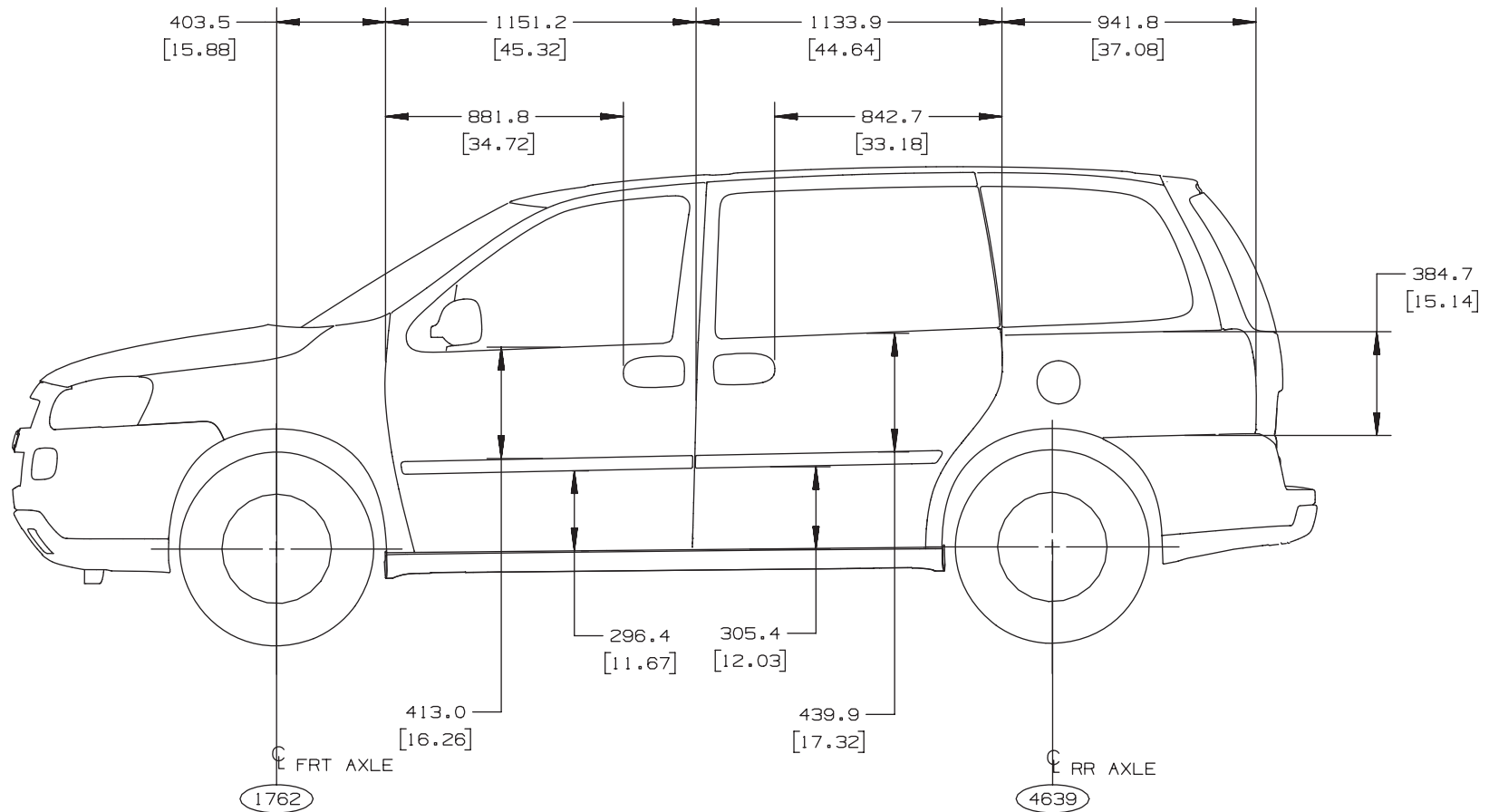
03N004 LMH

[] = INCHES

ANB01673b

U/X CROSSOVER SPORT VAN (CSV)

Signage Area – Chevy Uplander U11400



X88 114 SHOWN

SIGN AREA

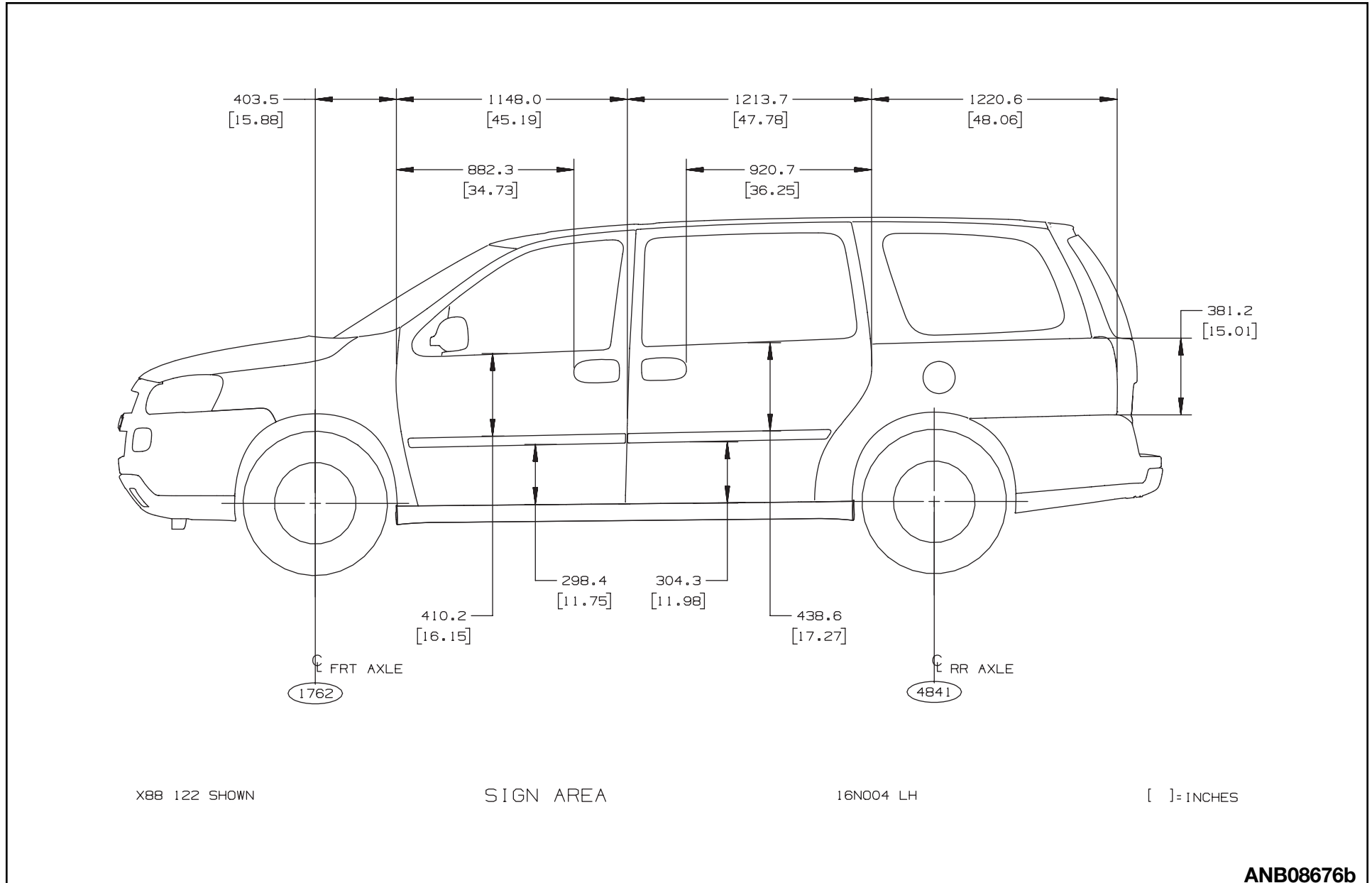
16N004 LH

[] = INCHES

ANB08676a

U/X CROSSOVER SPORT VAN (CSV)

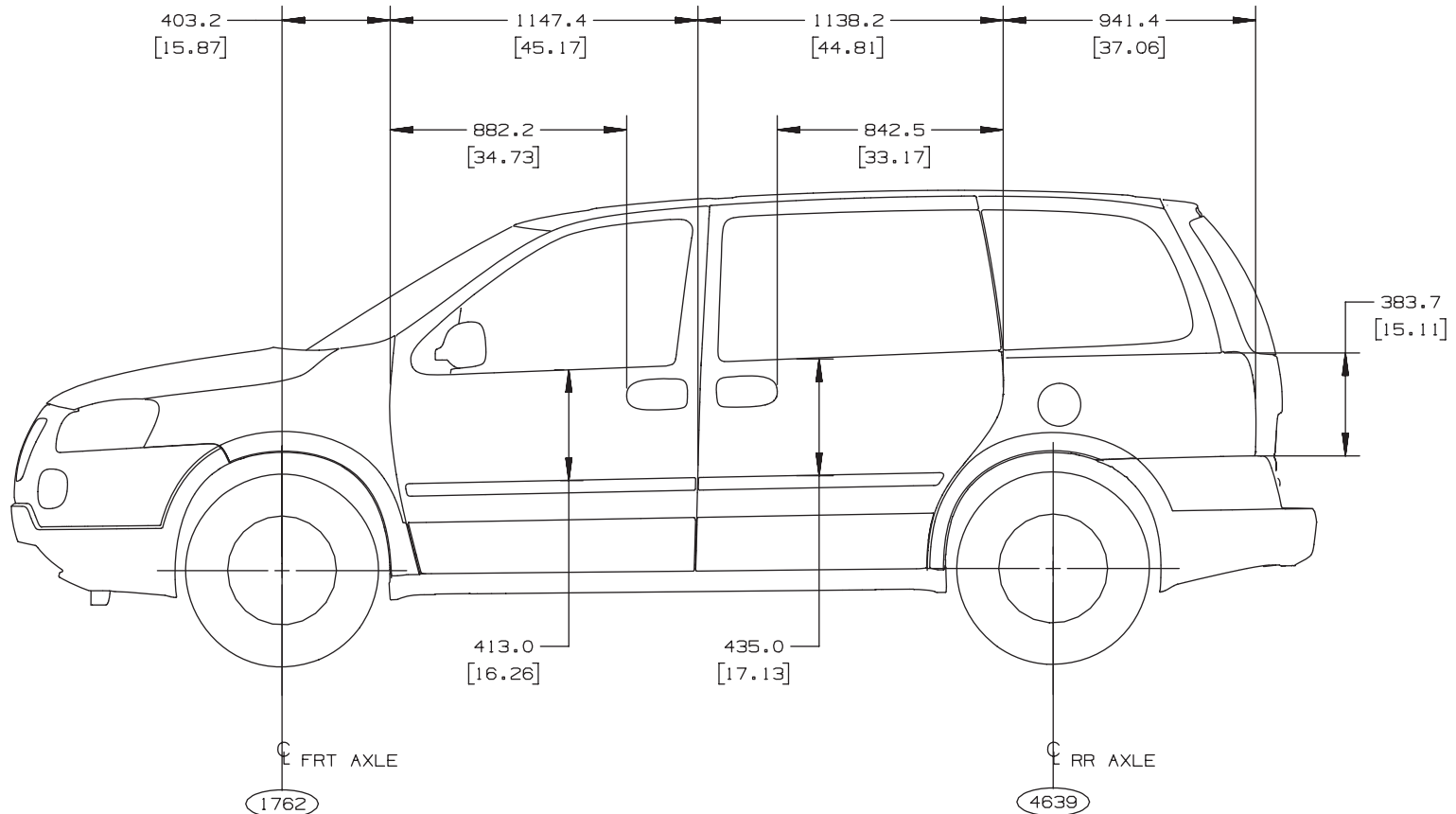
Signage Area – Chevy Uplander U/X12200



ANB08676b

U/X CROSSOVER SPORT VAN (CSV)

Signage Area – Pontiac Montana U/X11400



Z41 114 SHOWN

SIGN AREA

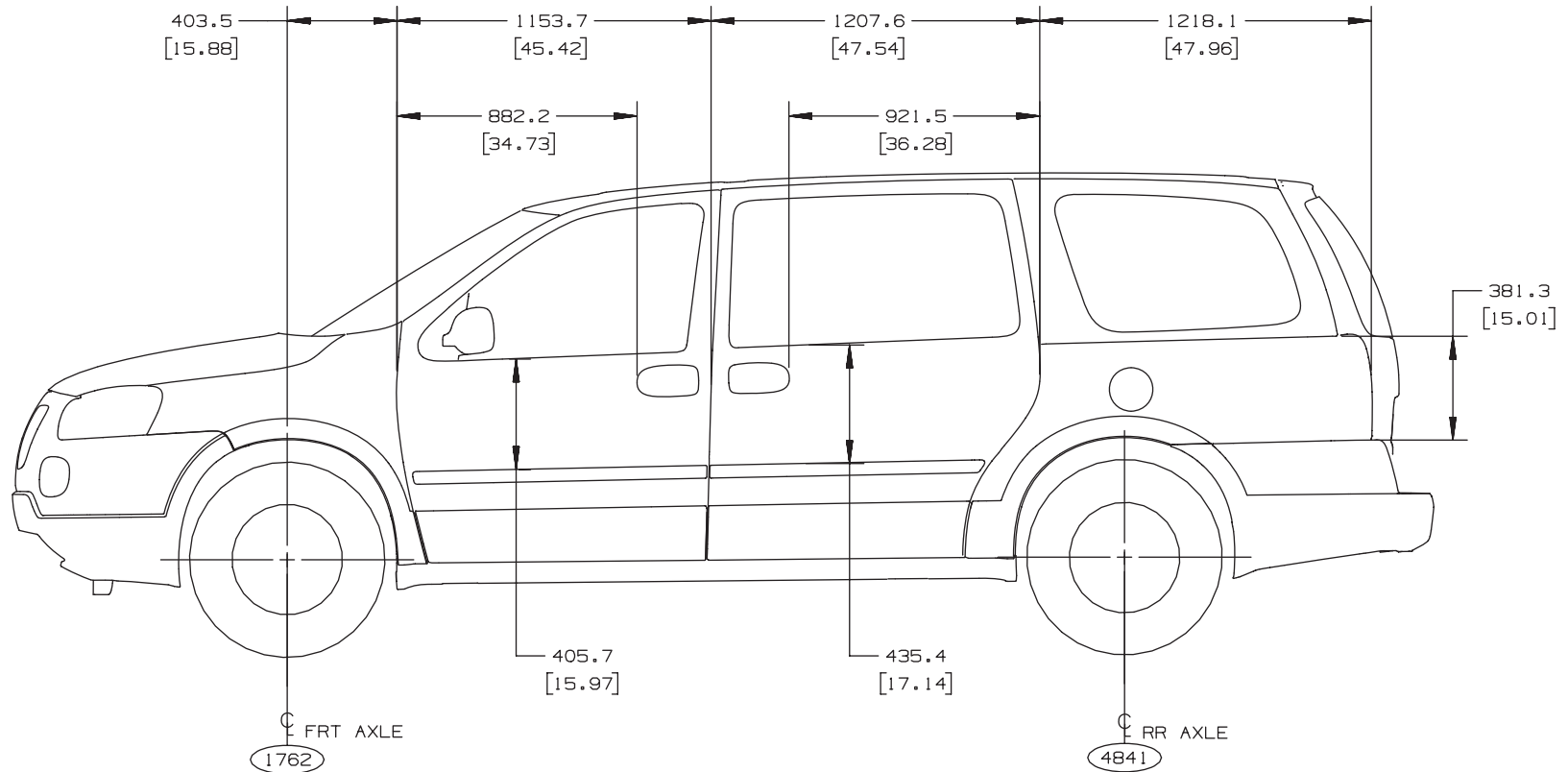
16N004 LH

[]= INCHES

ANB08676c

U/X CROSSOVER SPORT VAN (CSV)

Signage Area – Pontiac Montana U/X12200



Z41 122 SHOWN

SIGN AREA

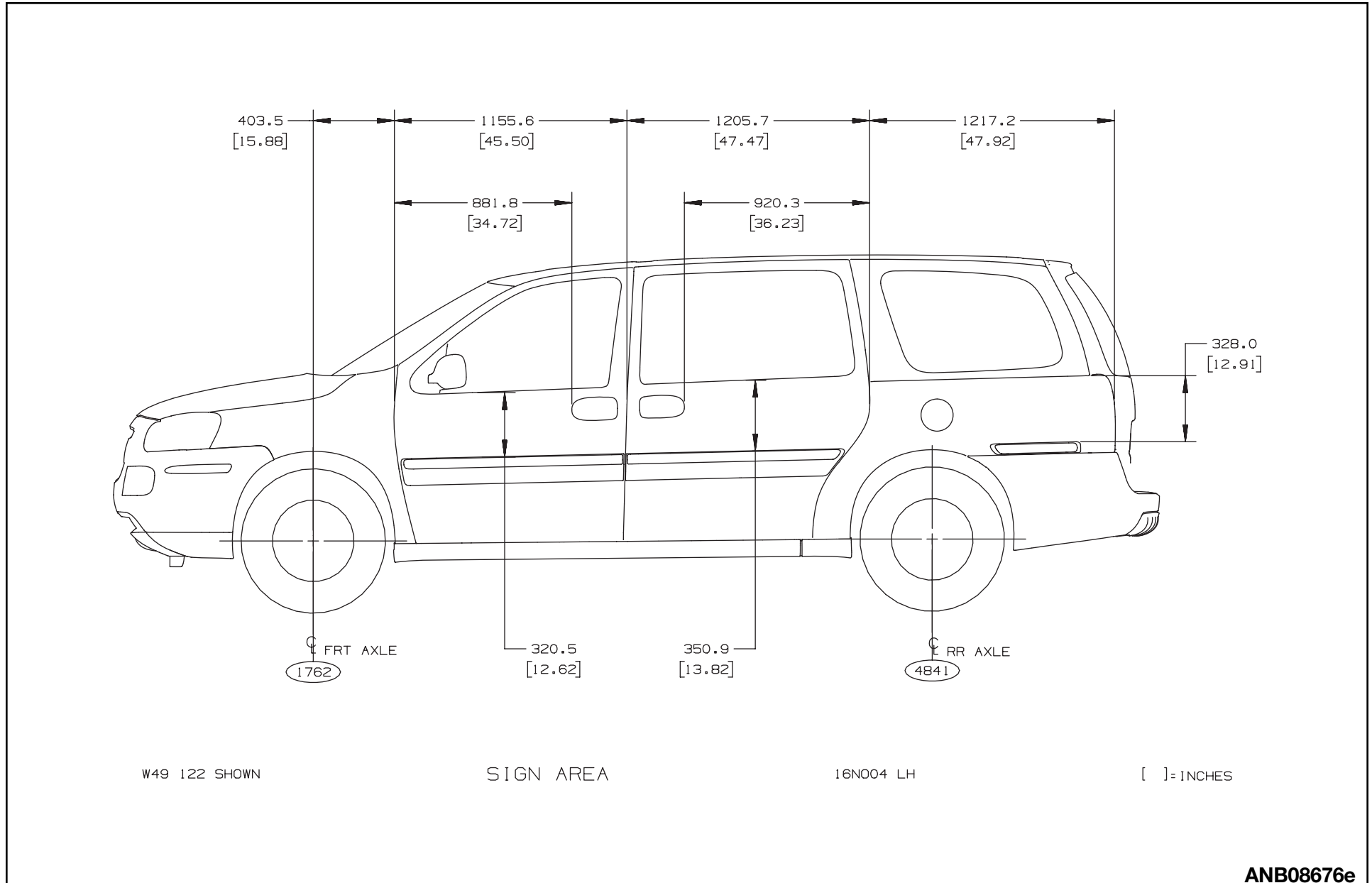
16N004 LH

[] = INCHES

ANB08676d

U/X CROSSOVER SPORT VAN (CSV)

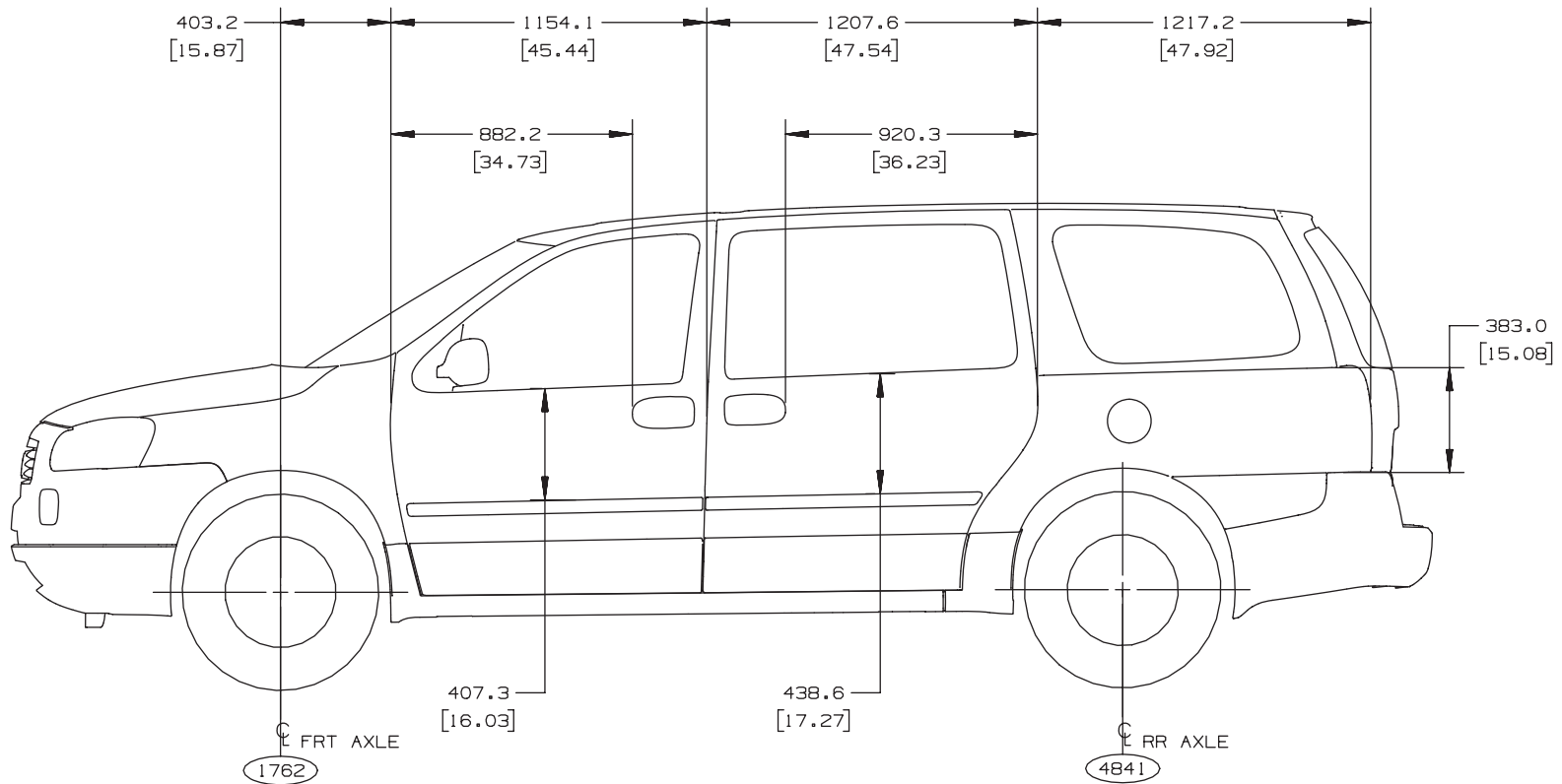
Signage Area - Buick Terraza U/X12200



ANB08676e

U/X CROSSOVER SPORT VAN (CSV)

Signage Area – Saturn Relay U/X12200



WDA 122 SHOWN

SIGN AREA

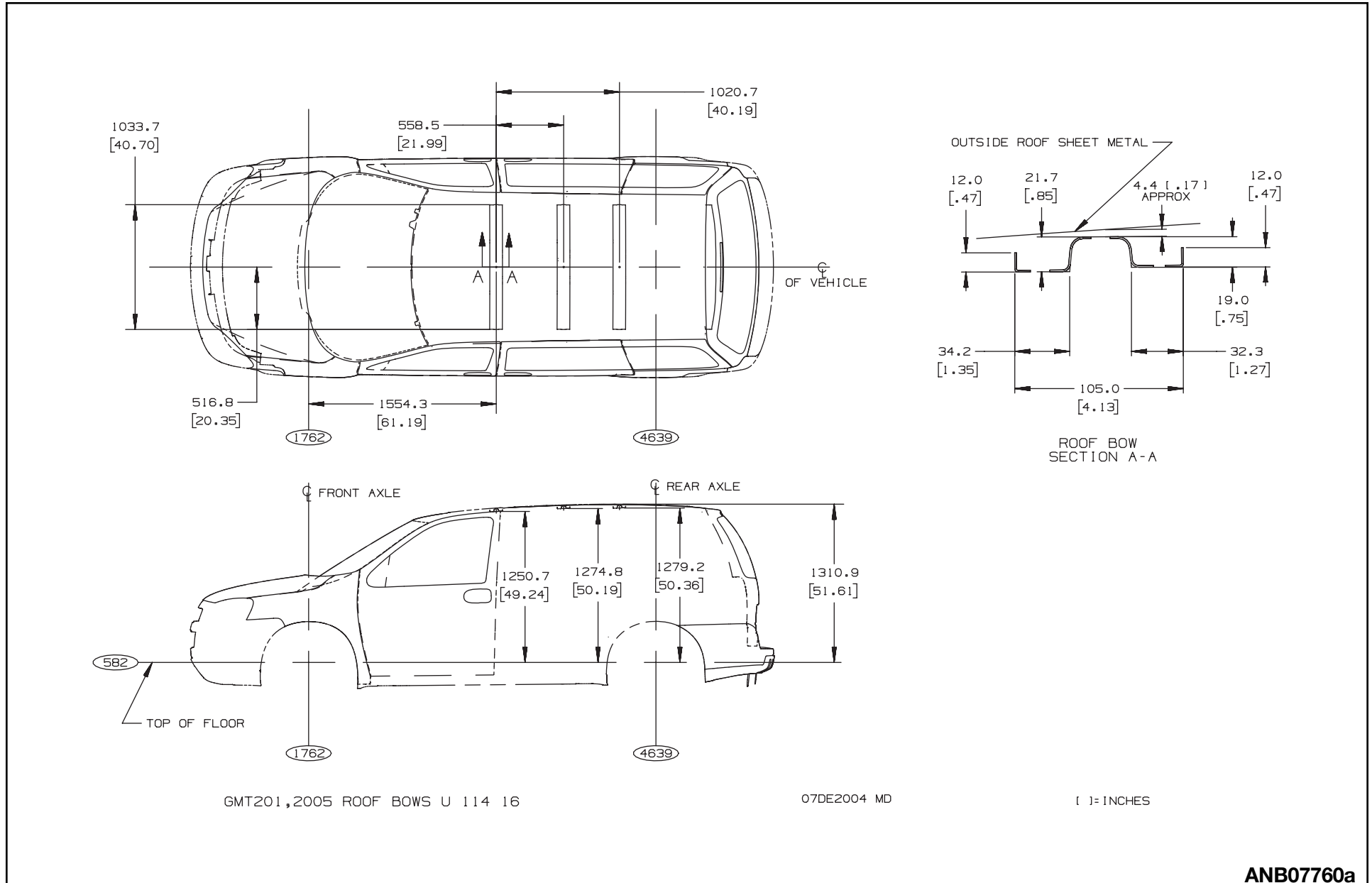
16N004 LH

[] = INCHES

ANB08676f

U/X CROSSOVER SPORT VAN (CSV)

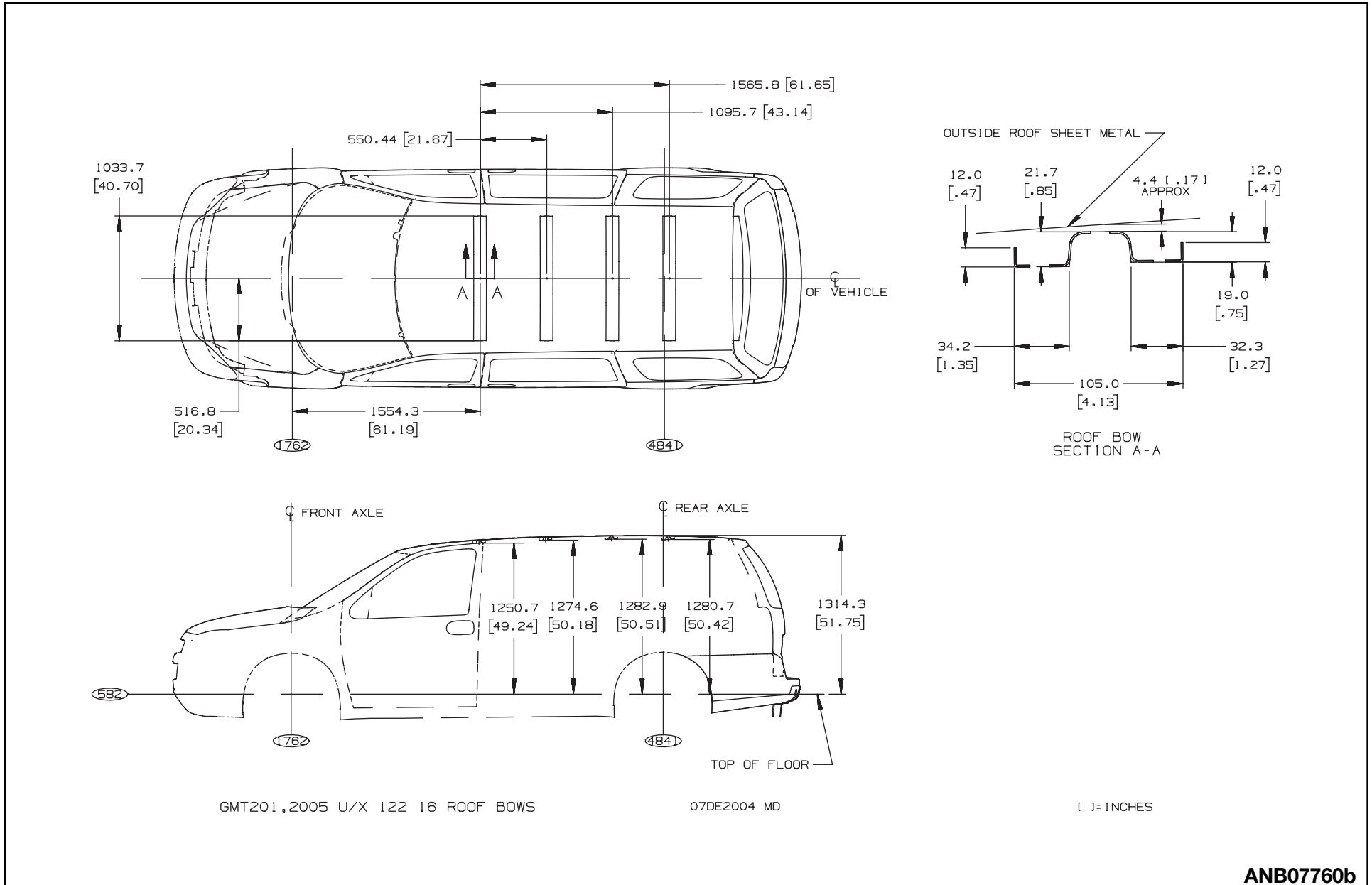
Roof Bows Locations - U/X11416



ANB07760a

U/X CROSSOVER SPORT VAN (CSV)

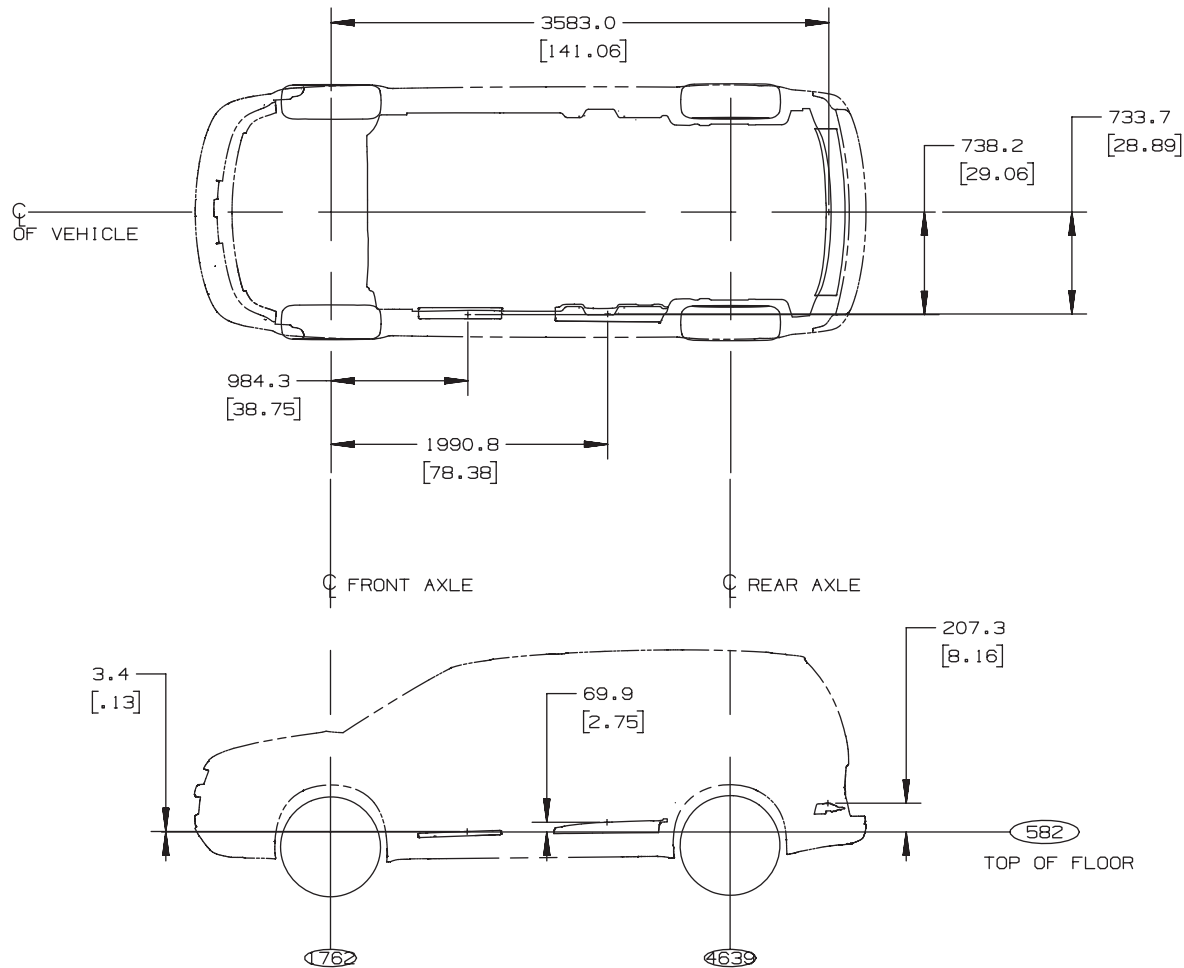
Roof Bows Locations - U/X12216



ANB07760b

U/X CROSSOVER SPORT VAN (CSV)

Step In Heights - U11416



STEP IN HEIGHTS

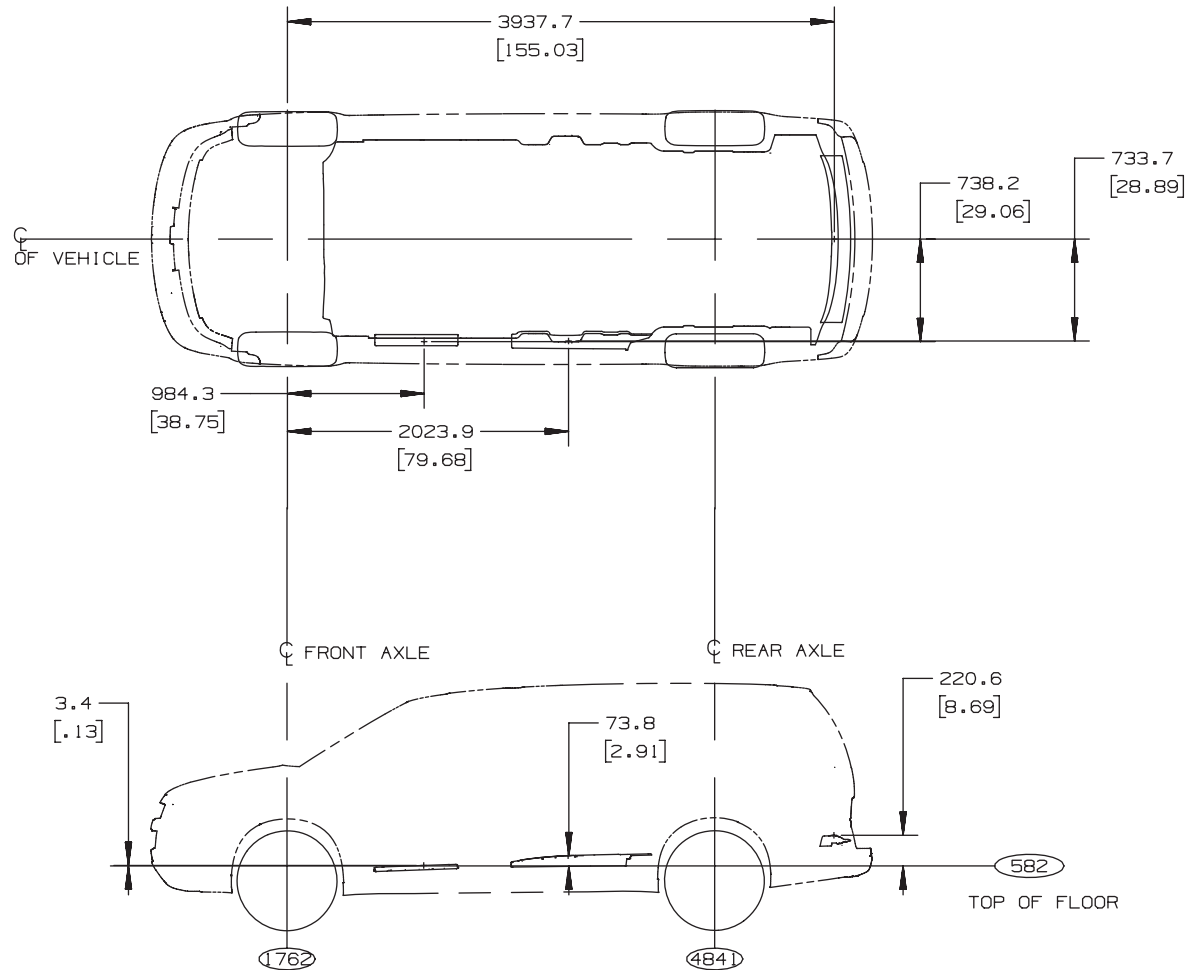
U 114 16 X88

03N004 ML

[1]=1 INCHES

U/X CROSSOVER SPORT VAN (CSV)

Step In Heights - U12216



STEP IN HEIGHTS

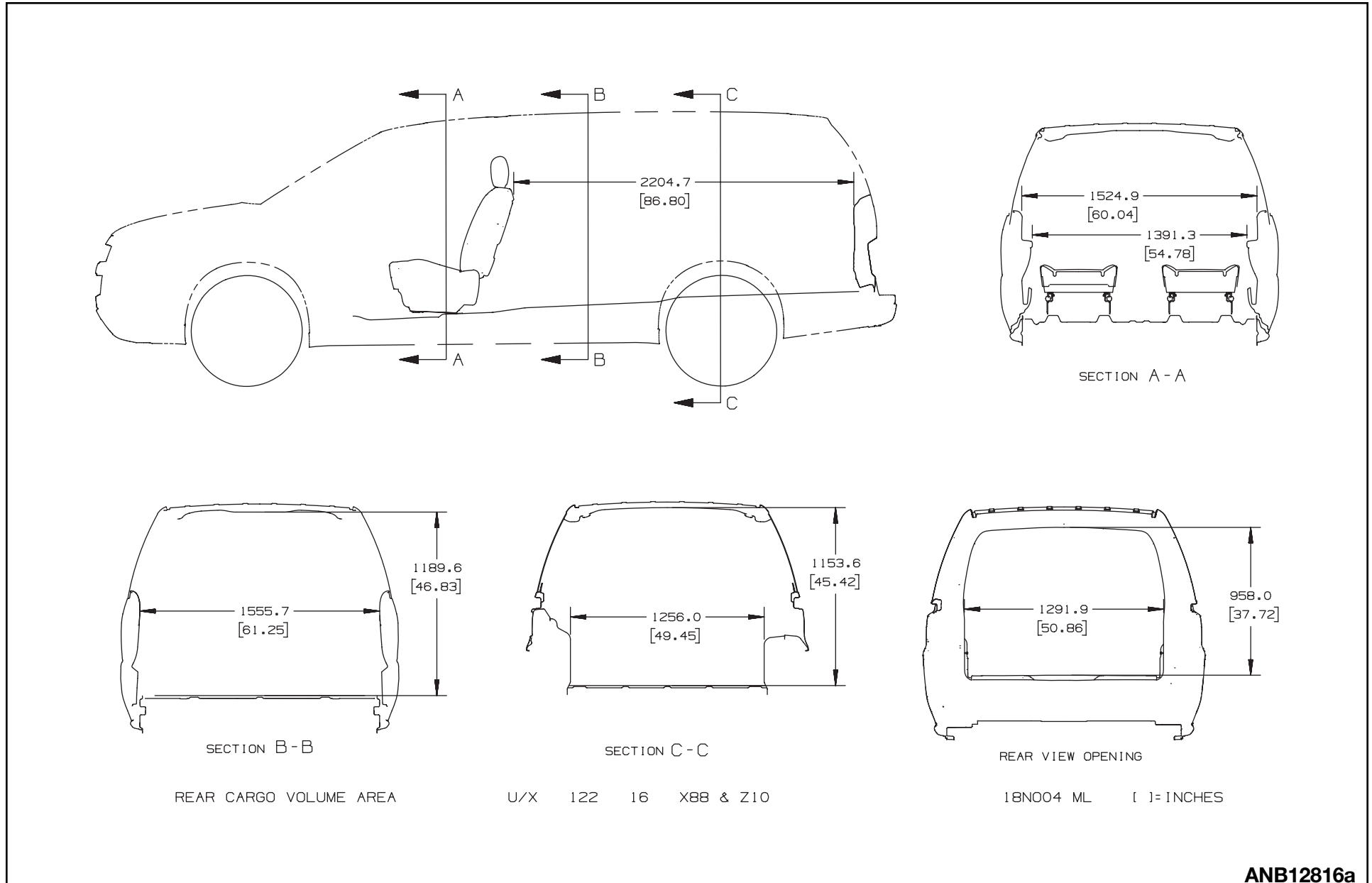
X 122 16 X88

03N004 ML

[]=INCHES

U/X CROSSOVER SPORT VAN (CSV)

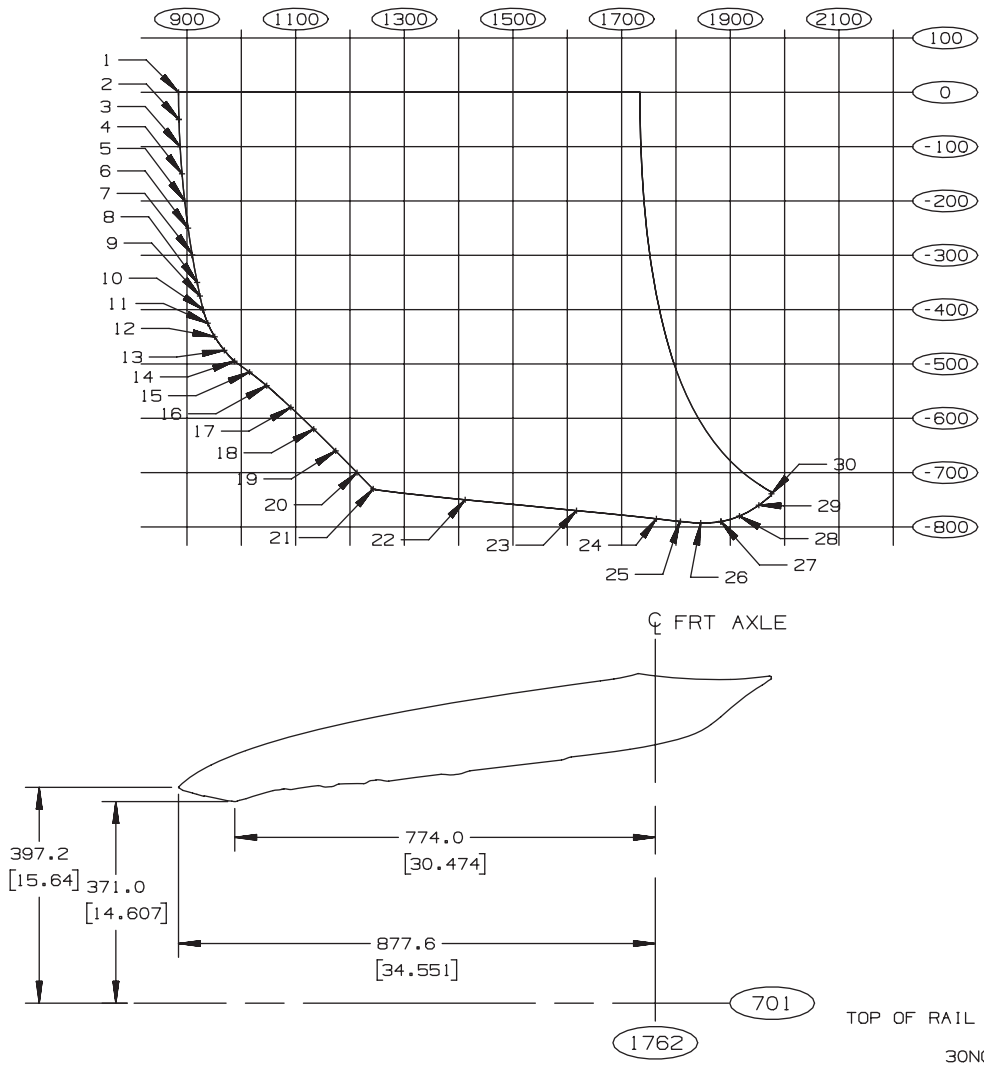
Rear Cargo Volume Area - U/X12216



ANB12816a

U/X CROSSOVER SPORT VAN (CSV)

Hood



PT #	LENGTH	WIDTH
1	884.40	-0.0
2	885.13	-50.0
3	887.30	-100.0
4	890.87	-150.0
5	895.83	-200.0
6	902.10	-250.0
7	909.69	-300.0
8	918.70	-350.0
9	923.84	-375.0
10	929.58	-400.0
11	938.21	-425.0
12	951.07	-450.0
13	968.82	-475.0
14	987.49	-495.0
15	1015.15	-515.0
16	1046.79	-540.0
17	1091.19	-580.0
18	1133.29	-620.0
19	1173.78	-660.0
20	1212.99	-700.0
21	1242.73	-730.0
22	1412.06	-750.0
23	1616.98	-770.0
24	1763.98	-785.0
25	1808.24	-790.0
26	1845.54	-792.8
27	1882.84	-790.0
28	1916.86	-780.0
29	1952.58	-760.0
30	1975.80	-739.0

DRIVER SIDE COORDINATES

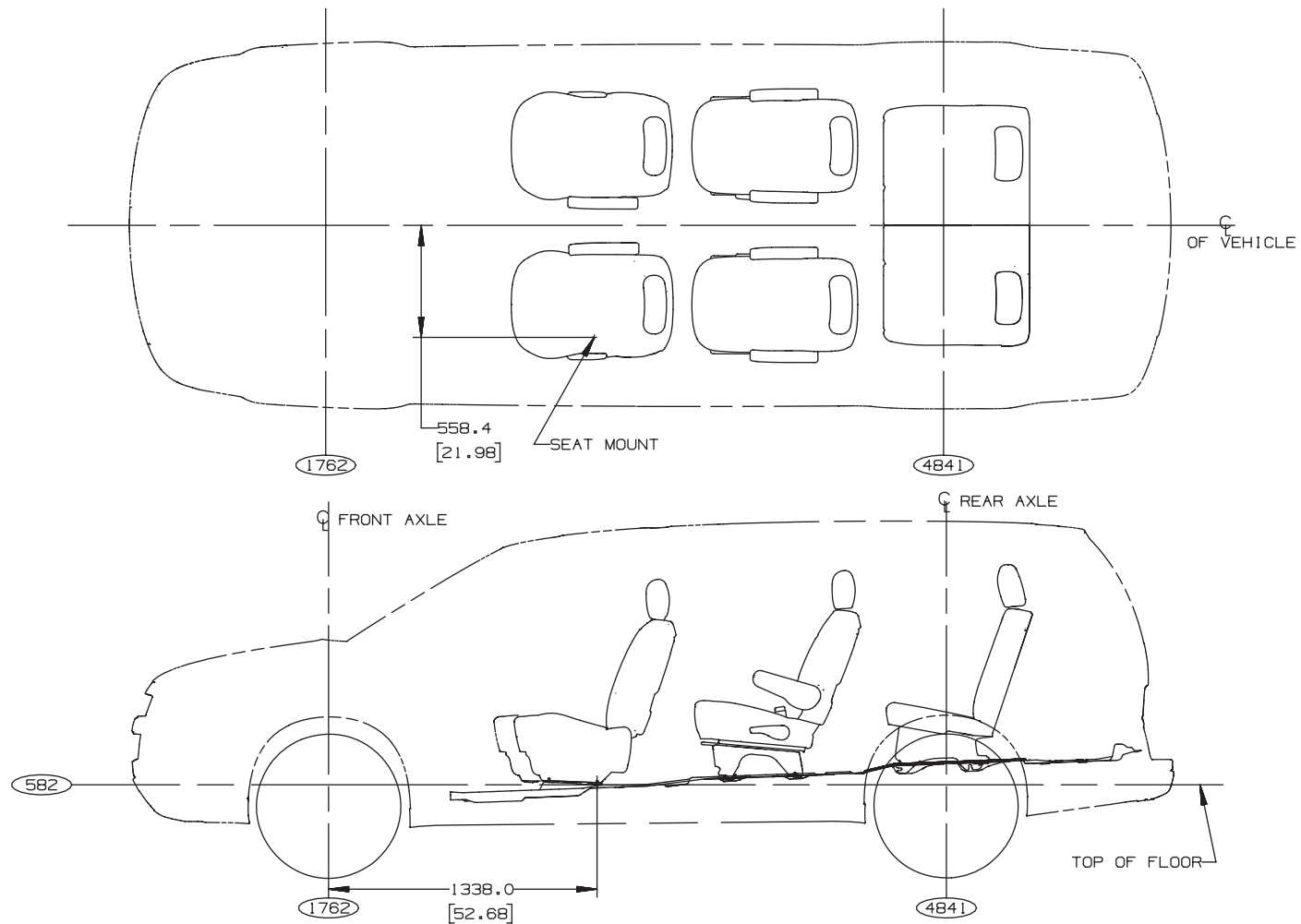
TOP OF RAIL

30N004 LMH

[] = INCHES

U/X CROSSOVER SPORT VAN (CSV)

Seating Arrangements – U11416 (Chevy, Pontiac, Saturn)



SEAT ARRANGEMENT U122 16 W49 (BUICK)

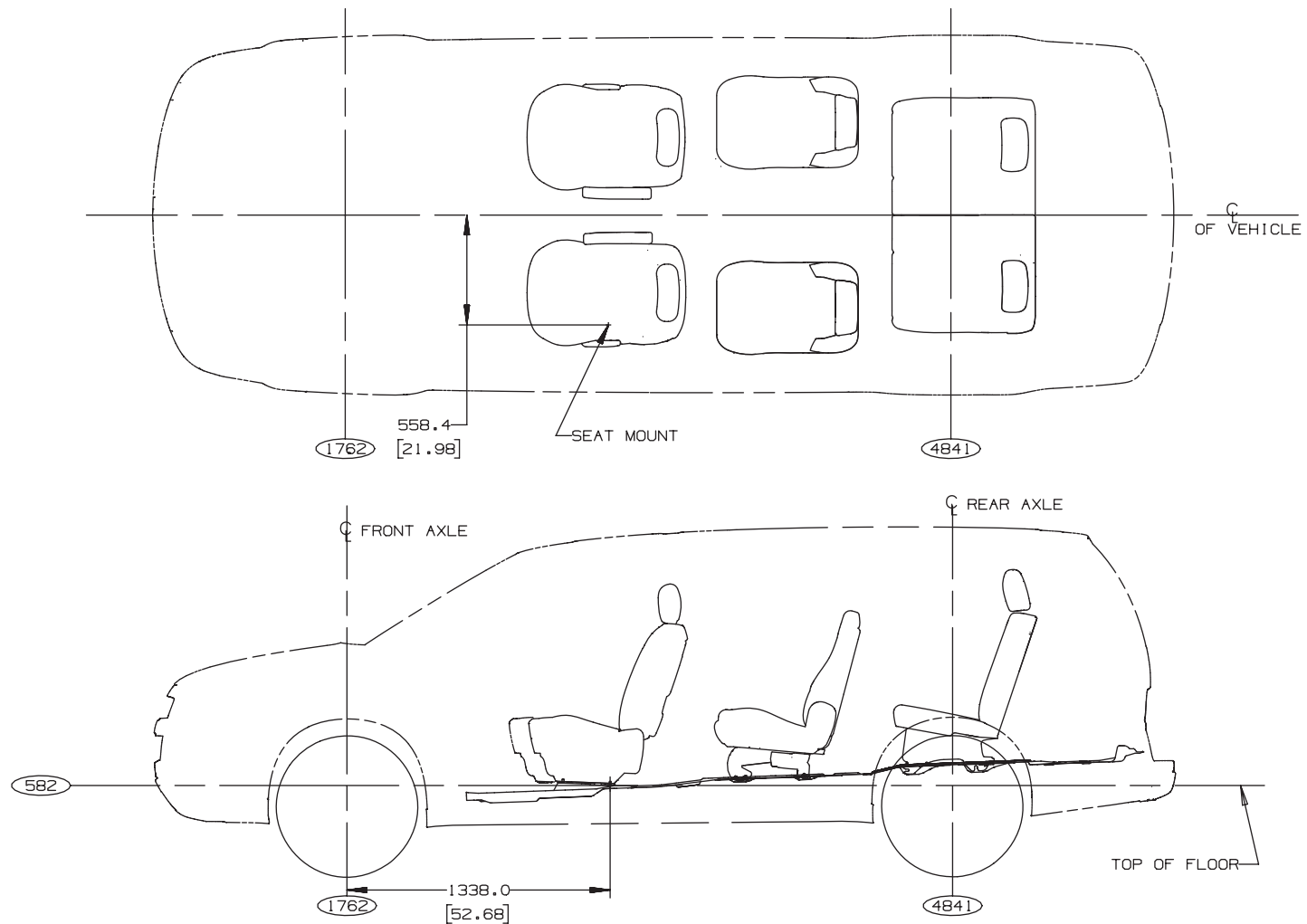
07DE2004 MD

[] = INCHES

ANB0703a

U/X CROSSOVER SPORT VAN (CSV)

Seating Arrangements – U12216 (Chevy, Pontiac, Saturn)



SEAT ARRANGEMENT U 122 16 X88 (CHEVY), Z41 (PONTIAC), WDA (SATURN) & Z10 (CARGO)

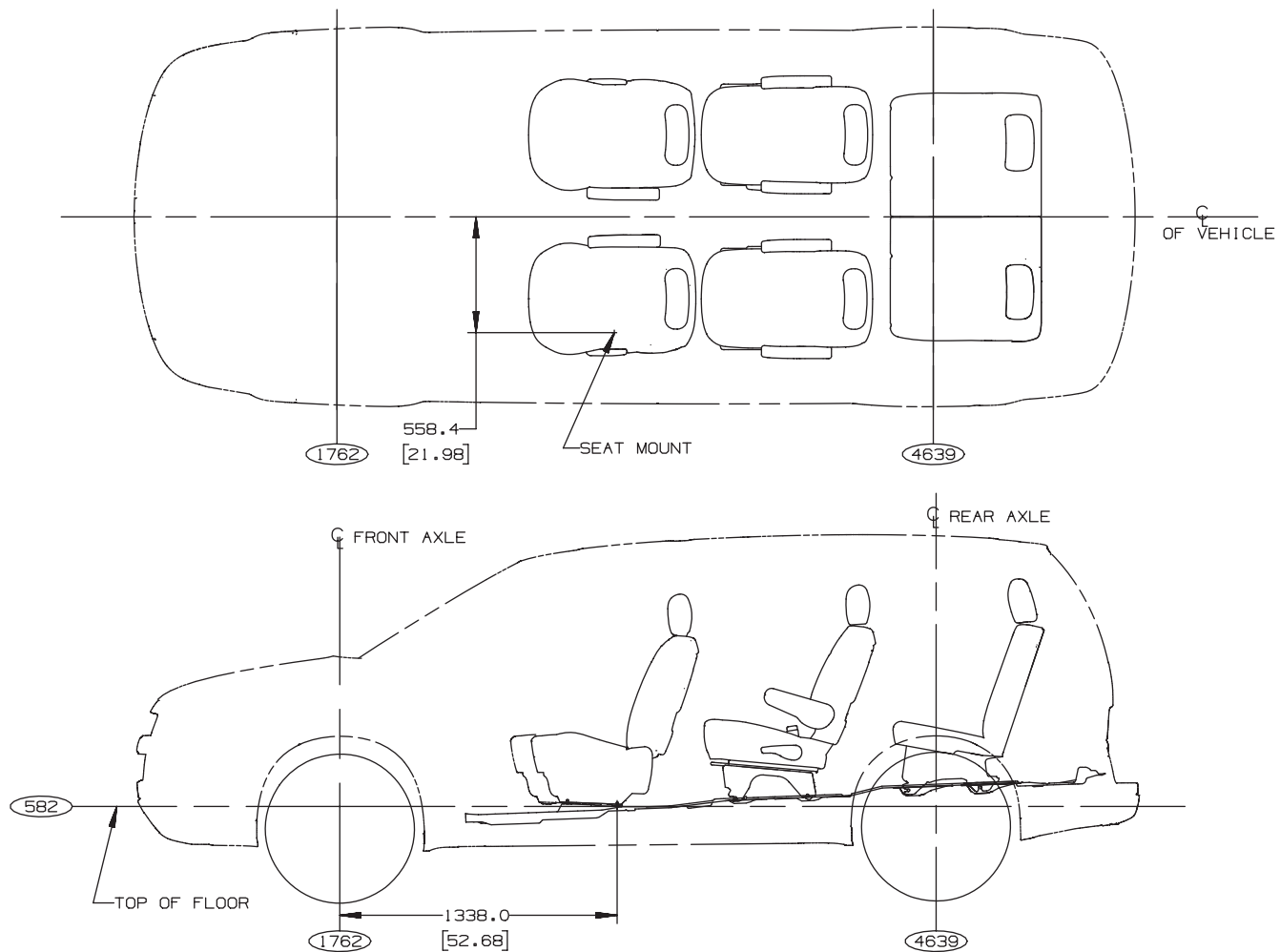
07DE2004 MD

[] = INCHES

ANB0703b

U/X CROSSOVER SPORT VAN (CSV)

Seating Arrangements – U11416 (Buick)



SEAT ARRANGEMENT U114 16 W49(BUICK)

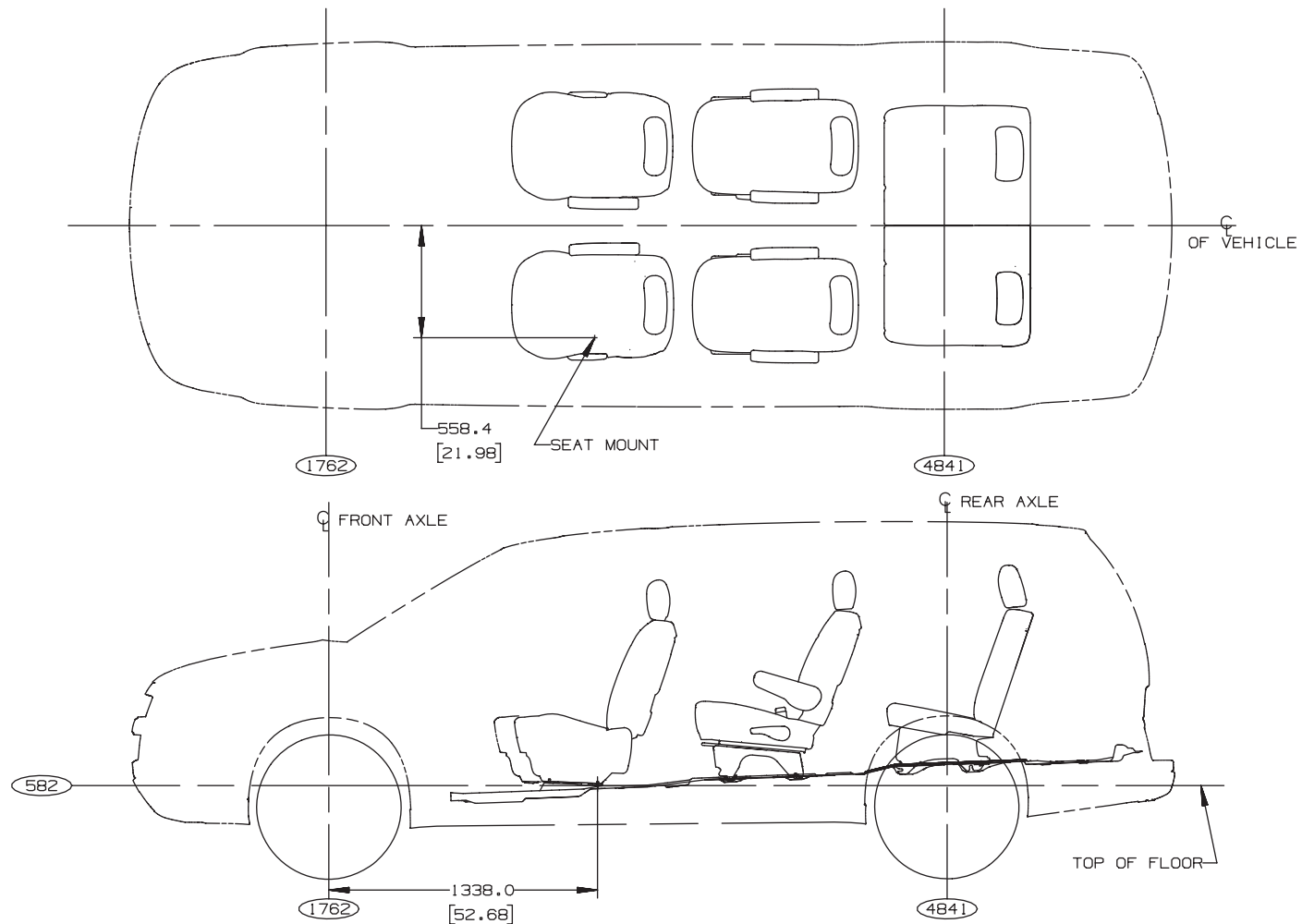
07DE2004 MD

(1=INCHES

ANB0703c

U/X CROSSOVER SPORT VAN (CSV)

Seating Arrangements – U12216 (Buick)



SEAT ARRANGEMENT U122 16 W49(BUICK)

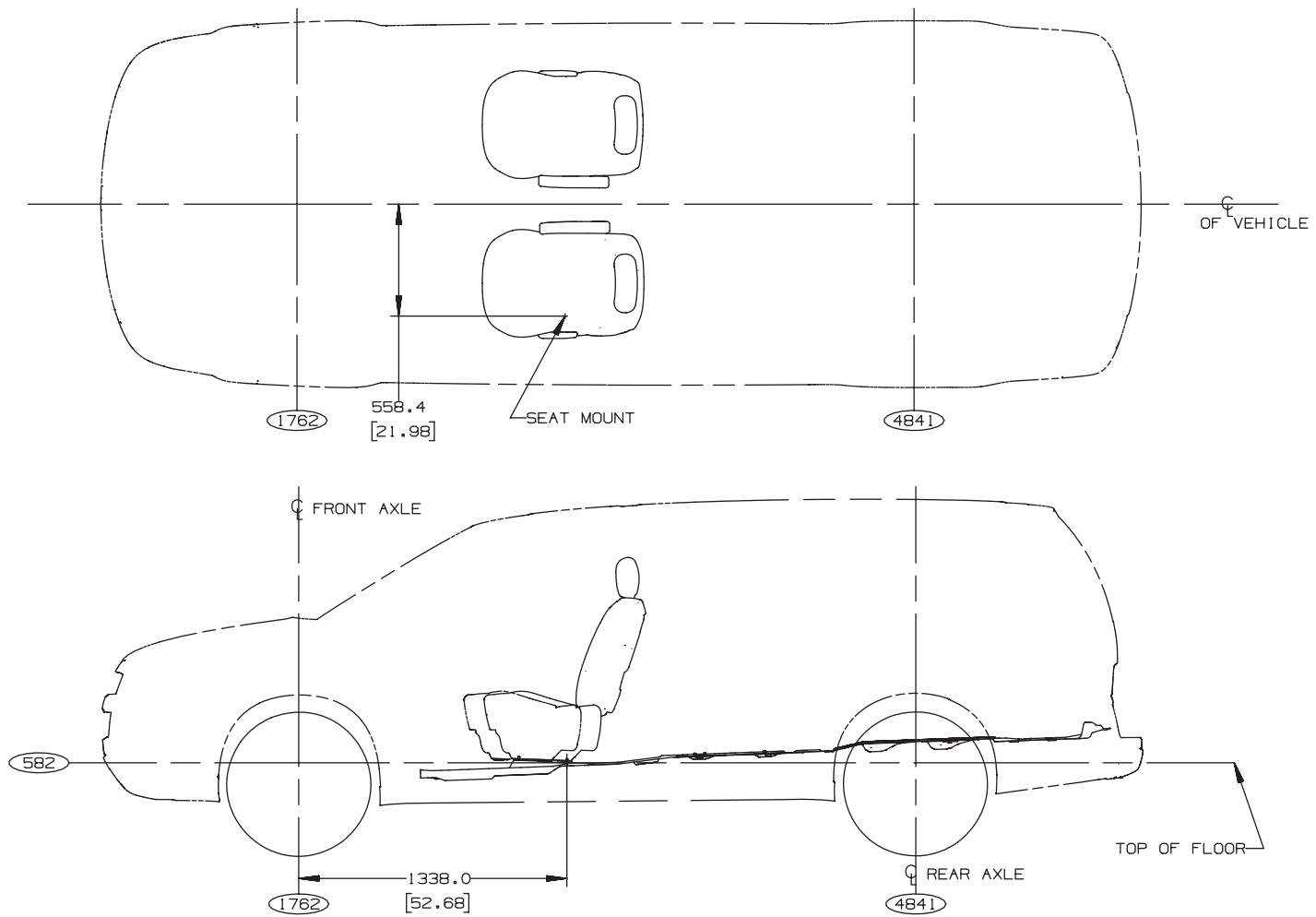
07DE2004 MD

[]=INCHES

ANB0703d

U/X CROSSOVER SPORT VAN (CSV)

Seating Arrangements – U12216 & Z10 Cargo (Chevy)



SEAT ARRANGEMENT U122 16 X88 Z10

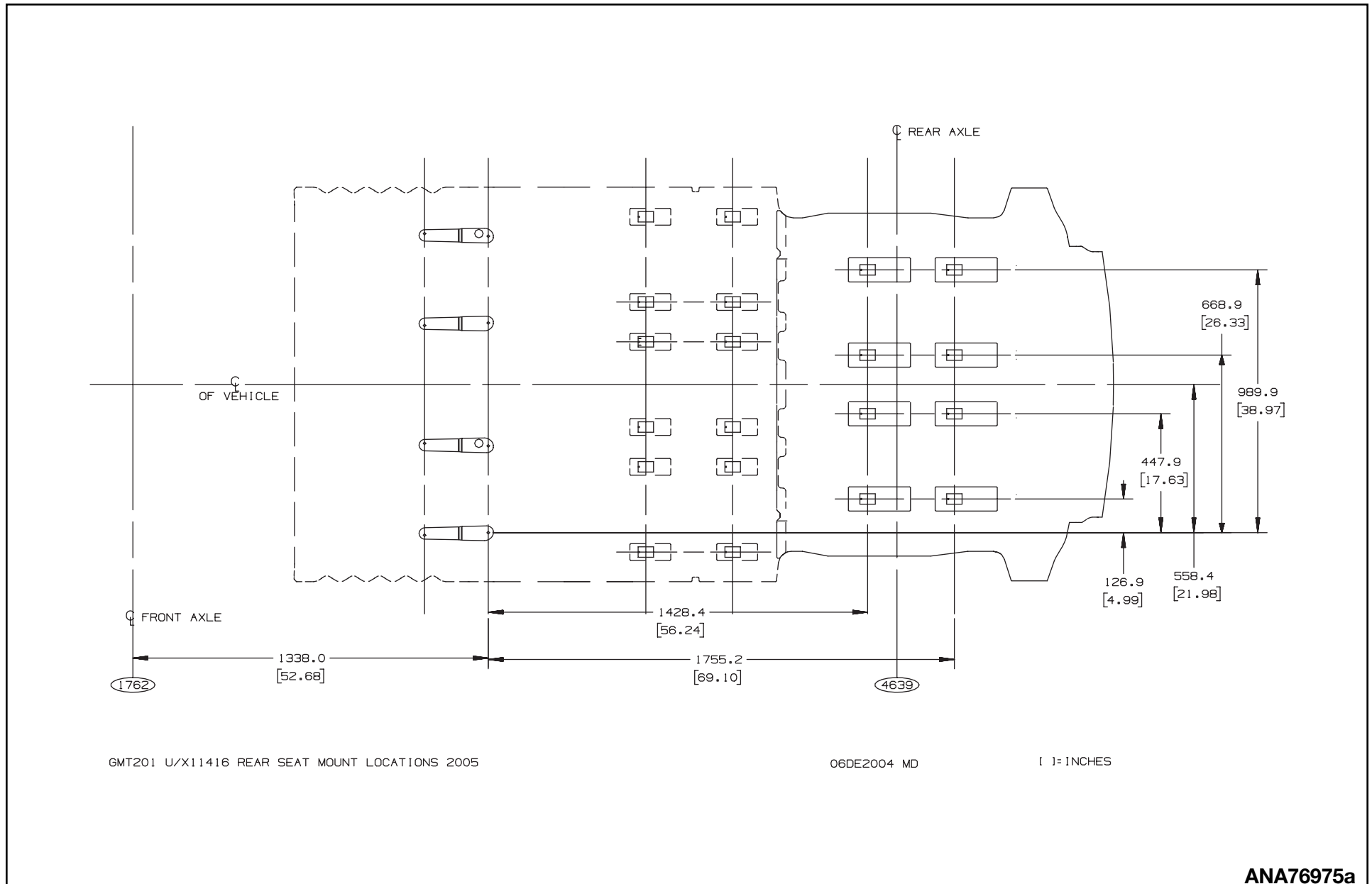
07DE2004 MD

[1]=INCHES

ANB0703e

U/X CROSSOVER SPORT VAN (CSV)

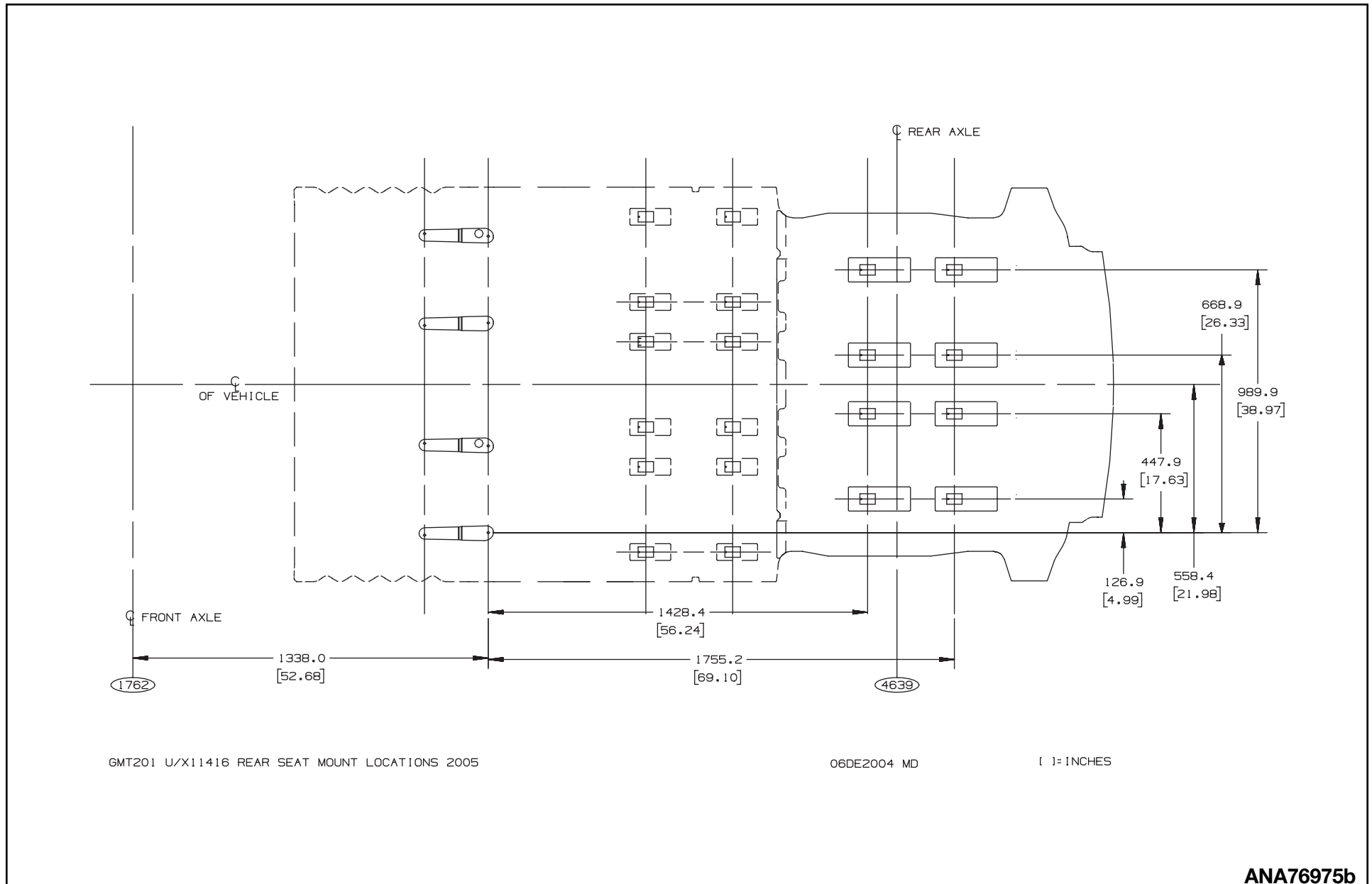
Seat Mounting Locations, First & Second Rows – U11416



ANA76975a

U/X CROSSOVER SPORT VAN (CSV)

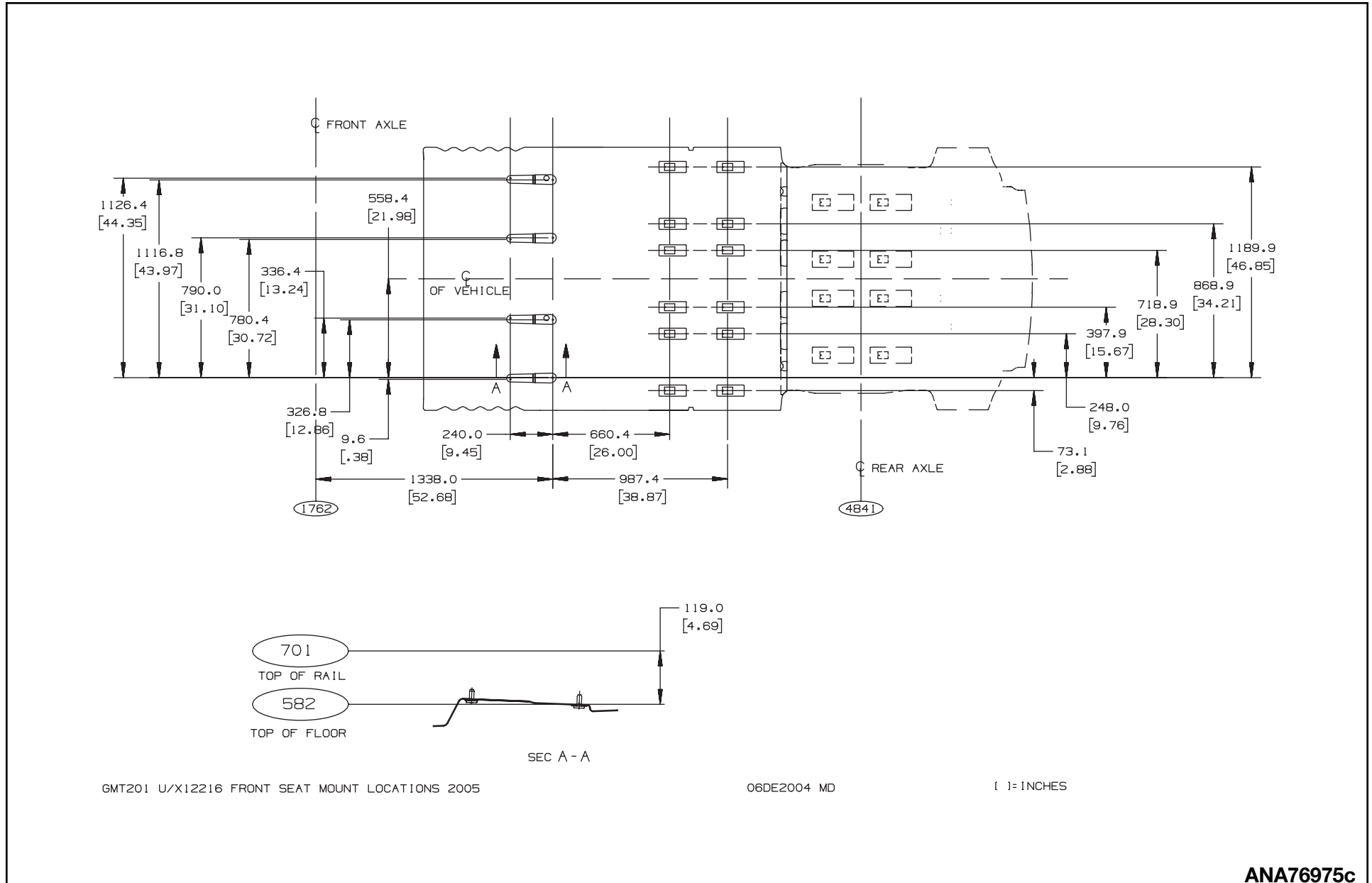
Seat Mounting Locations, Third Row - U11416



ANA76975b

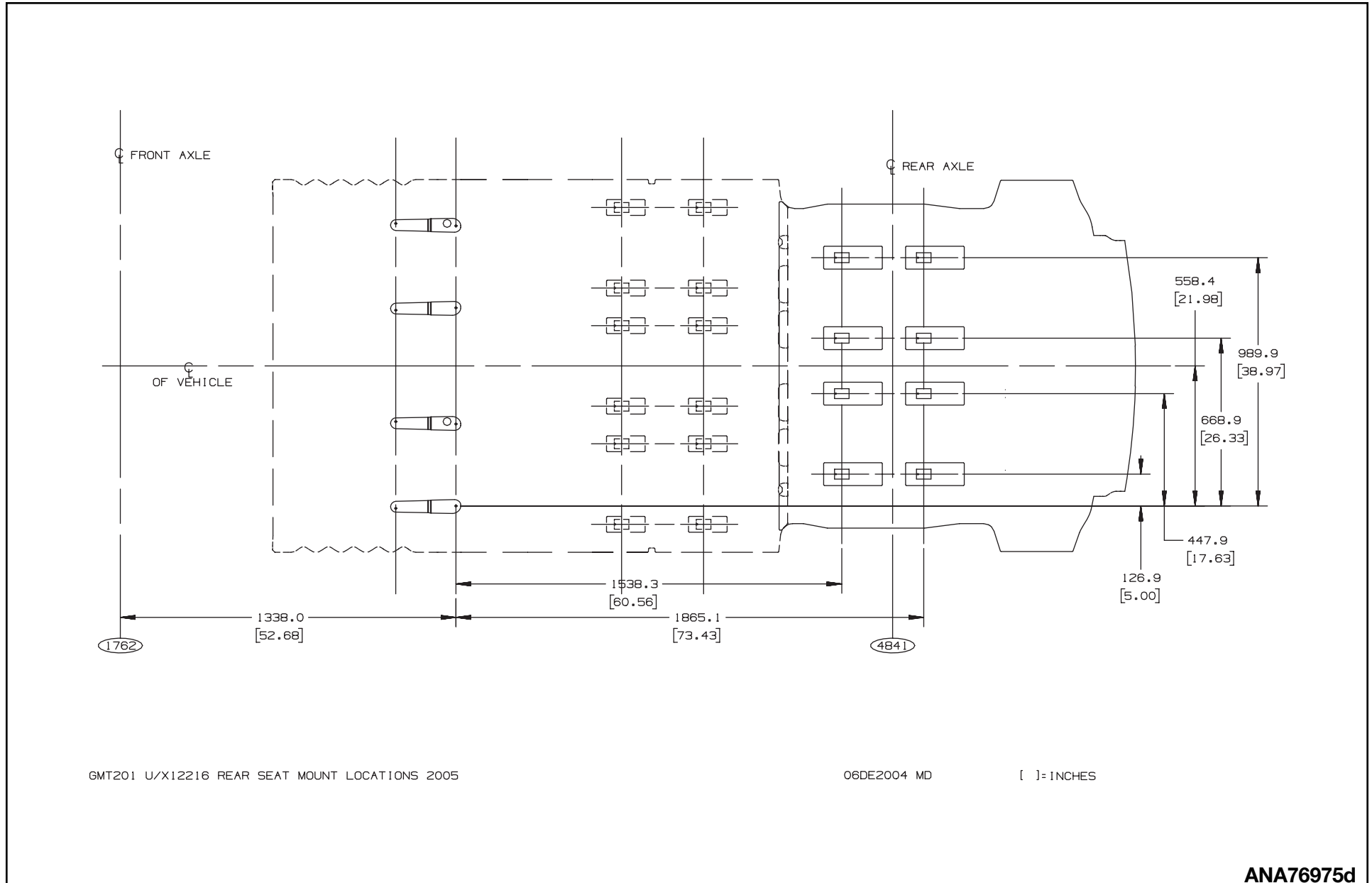
U/X CROSSOVER SPORT VAN (CSV)

Seat Mounting Locations, First & Second Rows – U12216



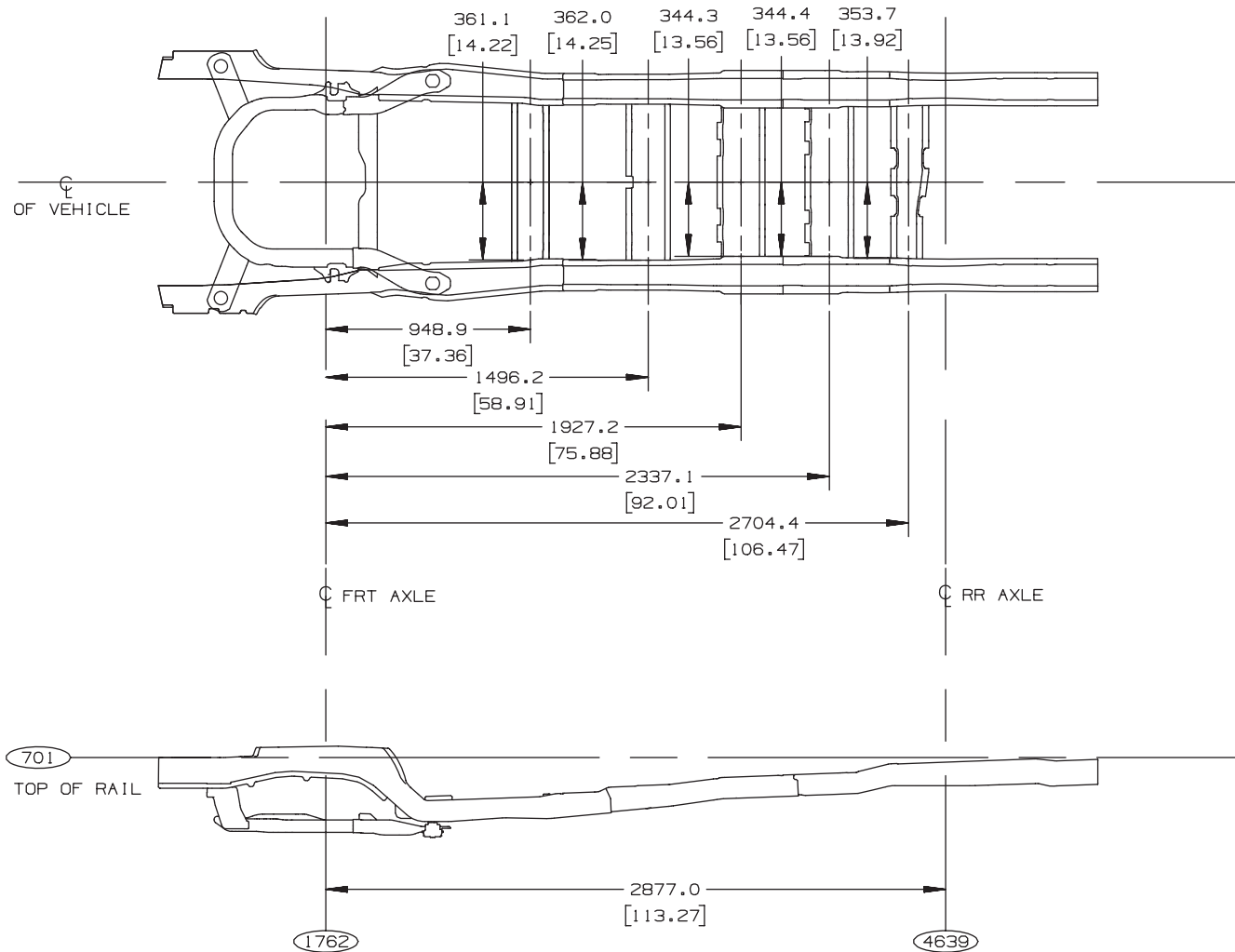
U/X CROSSOVER SPORT VAN (CSV)

Seat Mounting Locations, Third Row – U12216



U/X CROSSOVER SPORT VAN (CSV)

Crossmember Locations - U11400



GMT201 U 114 00

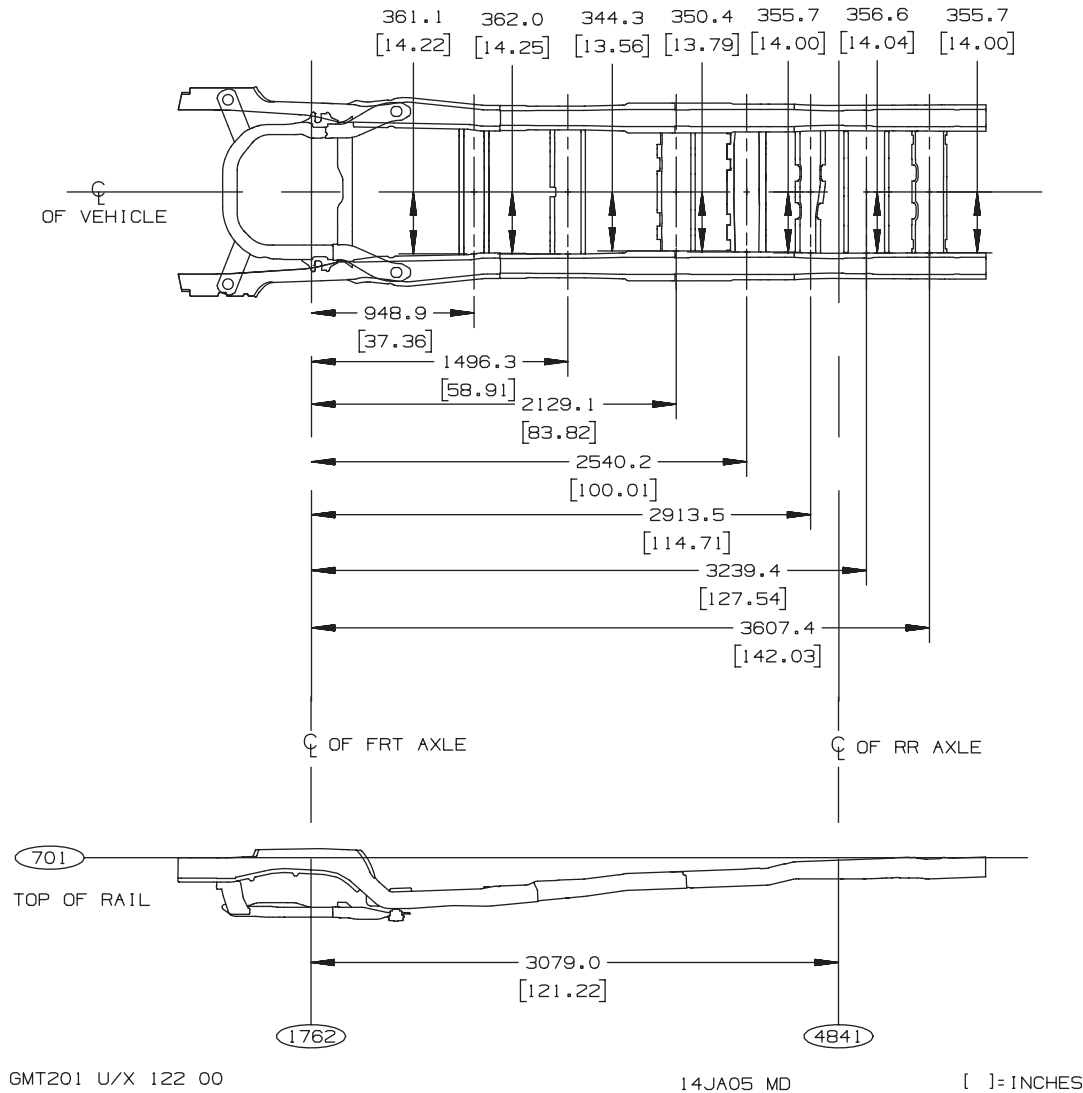
14JA05 MD

[] = INCHES

ANA73812a

U/X CROSSOVER SPORT VAN (CSV)

Crossmember Locations - U12200



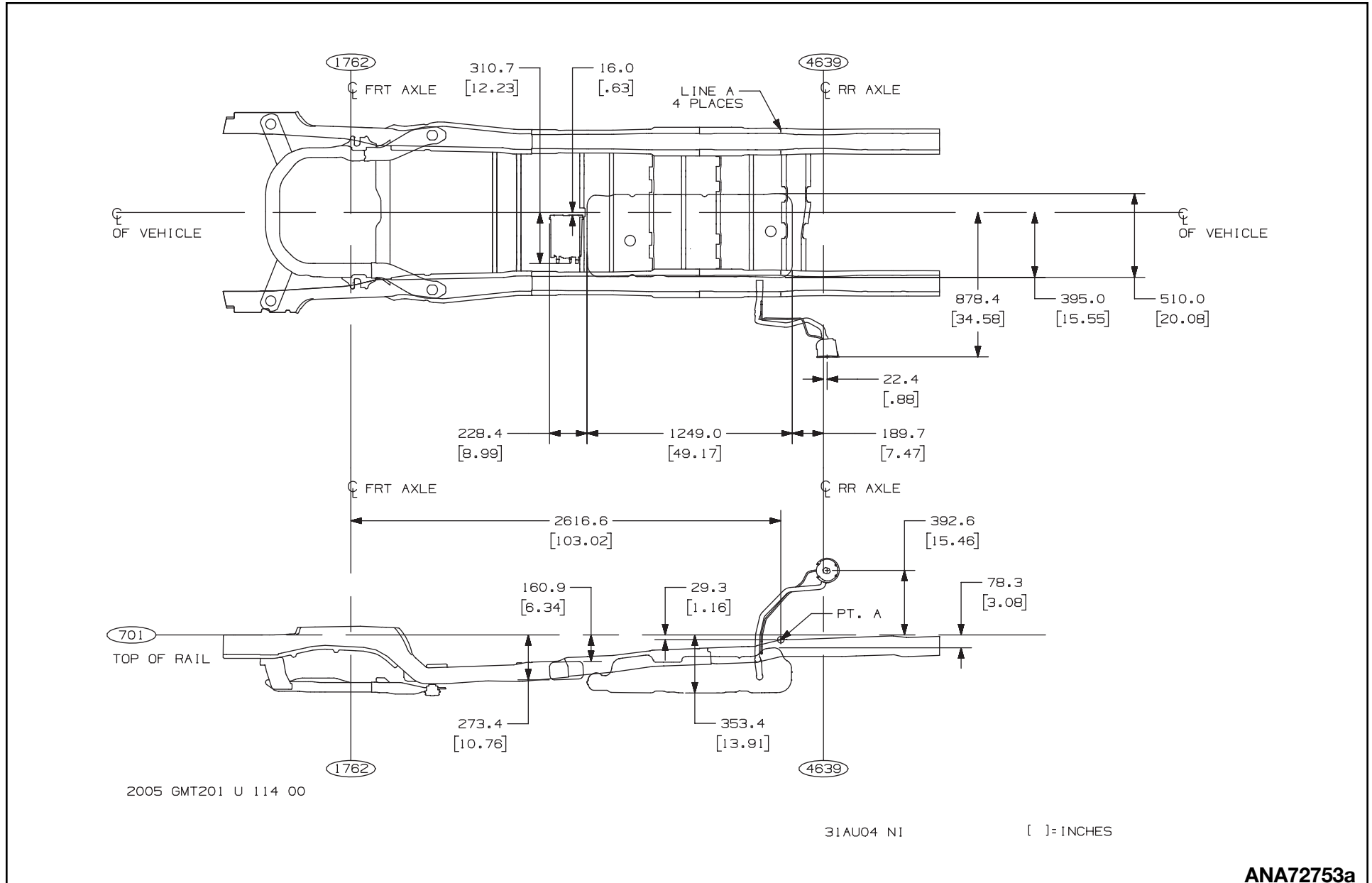
GMT201 U/X 122 00

14JA05 MD

[] = INCHES

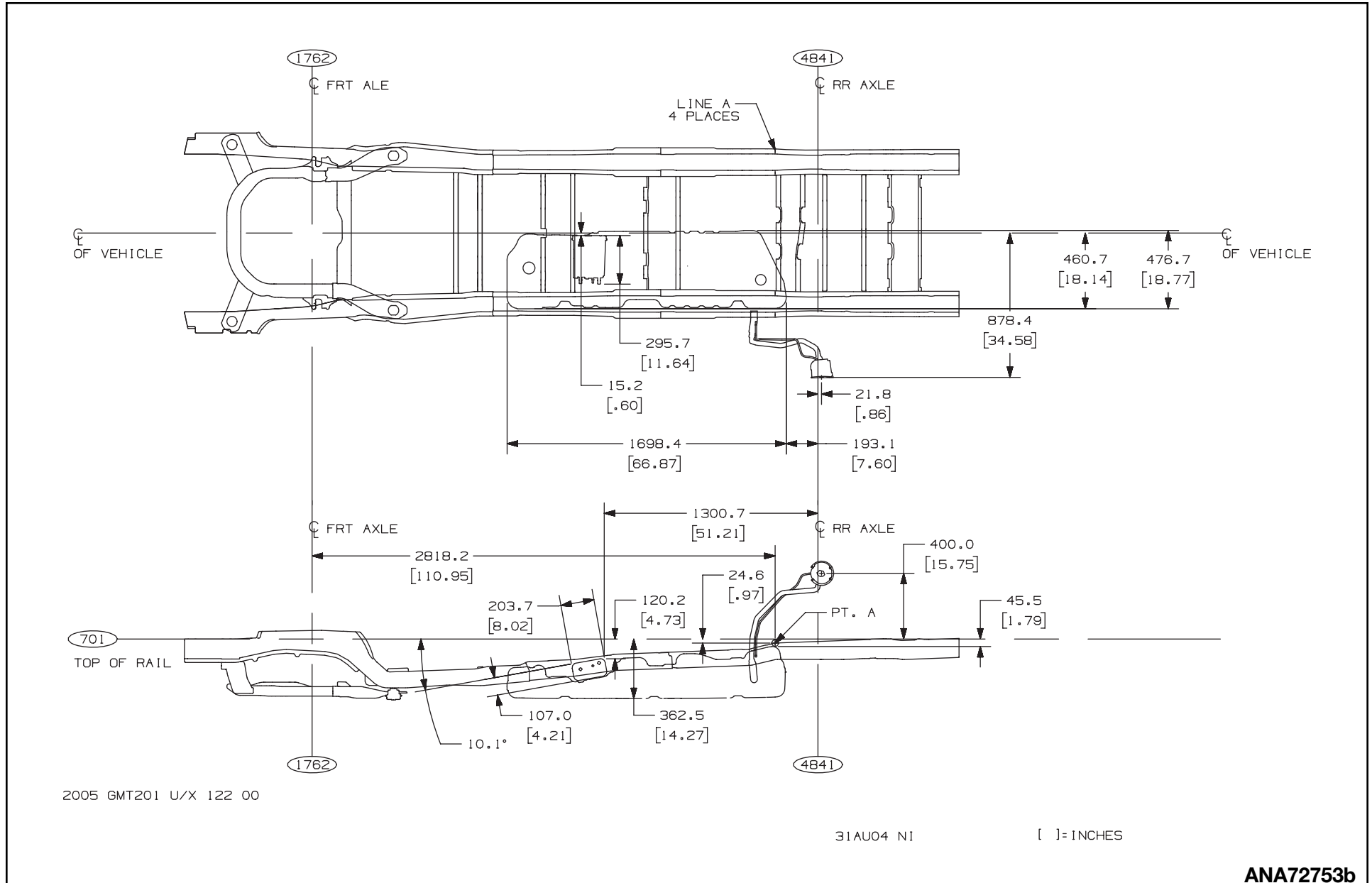
U/X CROSSOVER SPORT VAN (CSV)

Fuel Tank Location - U11400



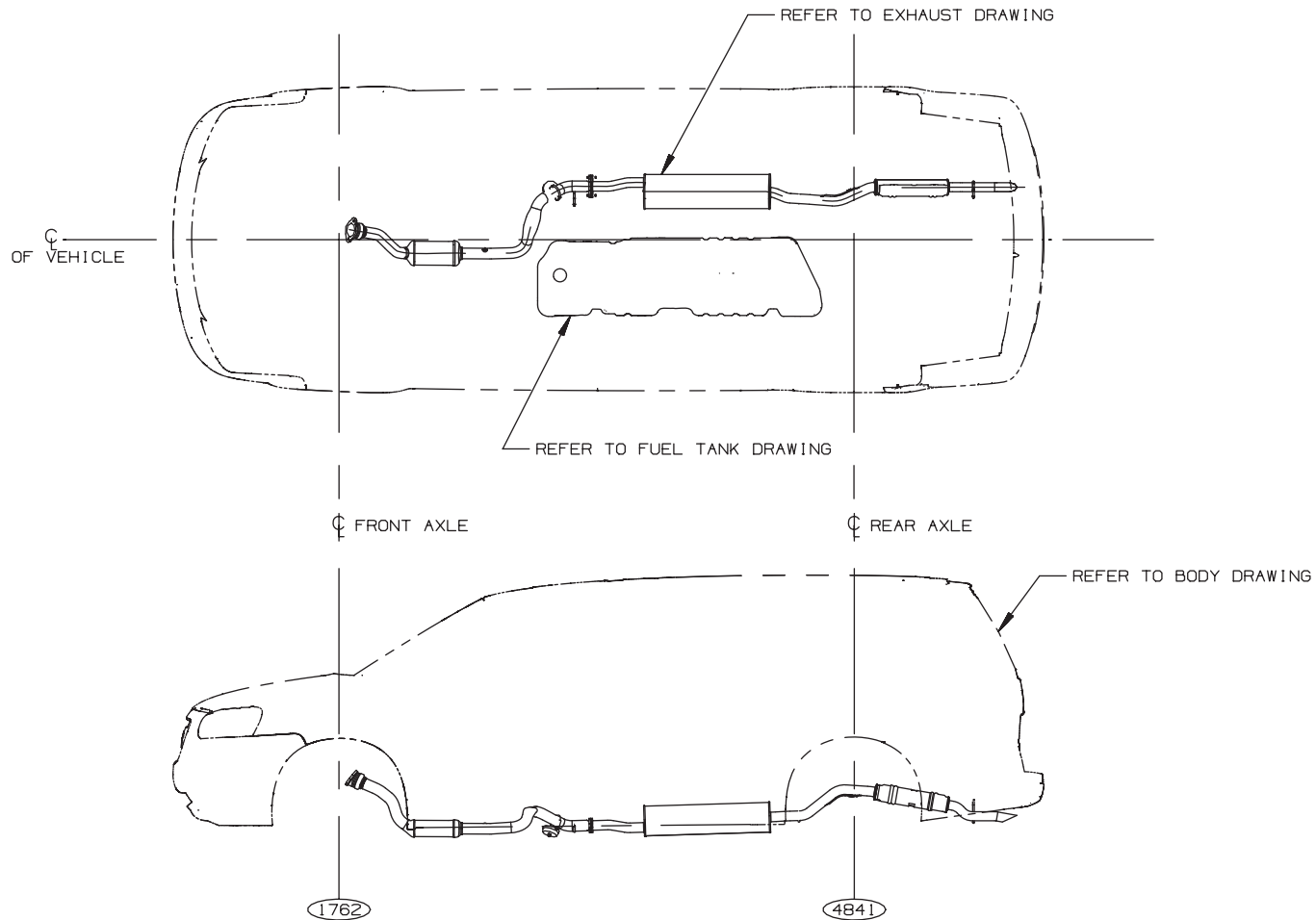
U/X CROSSOVER SPORT VAN (CSV)

Fuel Tank Location - U12200



U/X CROSSOVER SPORT VAN (CSV)

General Arrangement, Fuel & Exhaust – U12216



GMT 201 U/X 122/16 GENERAL ARRANGEMENT 2005,X88,Z41,W49,WDA&X88(Z10)

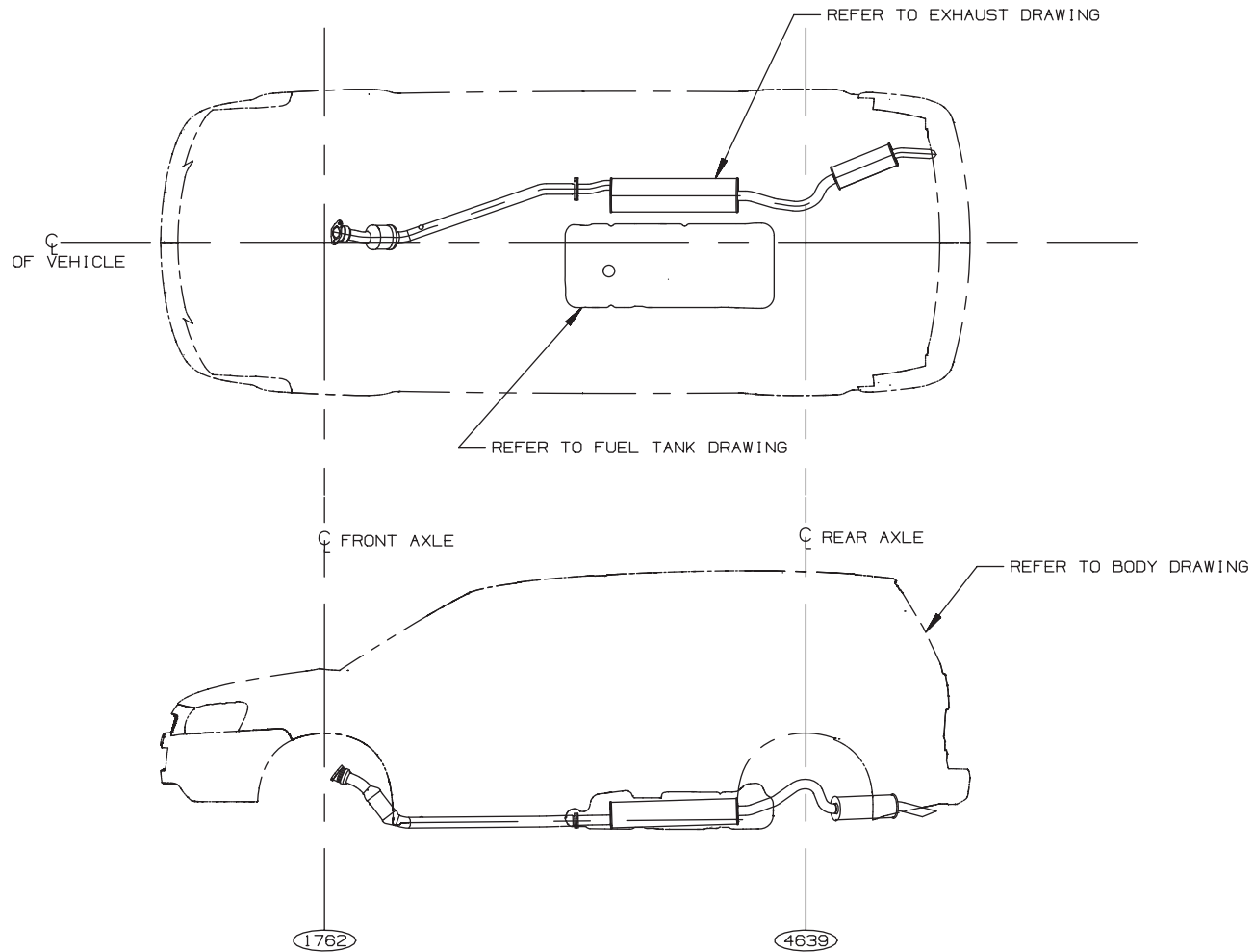
16N02004 MD

[] = INCHES

TD006300a

U/X CROSSOVER SPORT VAN (CSV)

General Arrangement, Fuel & Exhaust – U11416



GMT201 U114/16 GENERAL ARRANGEMENT X88,Z41,W49,WDA

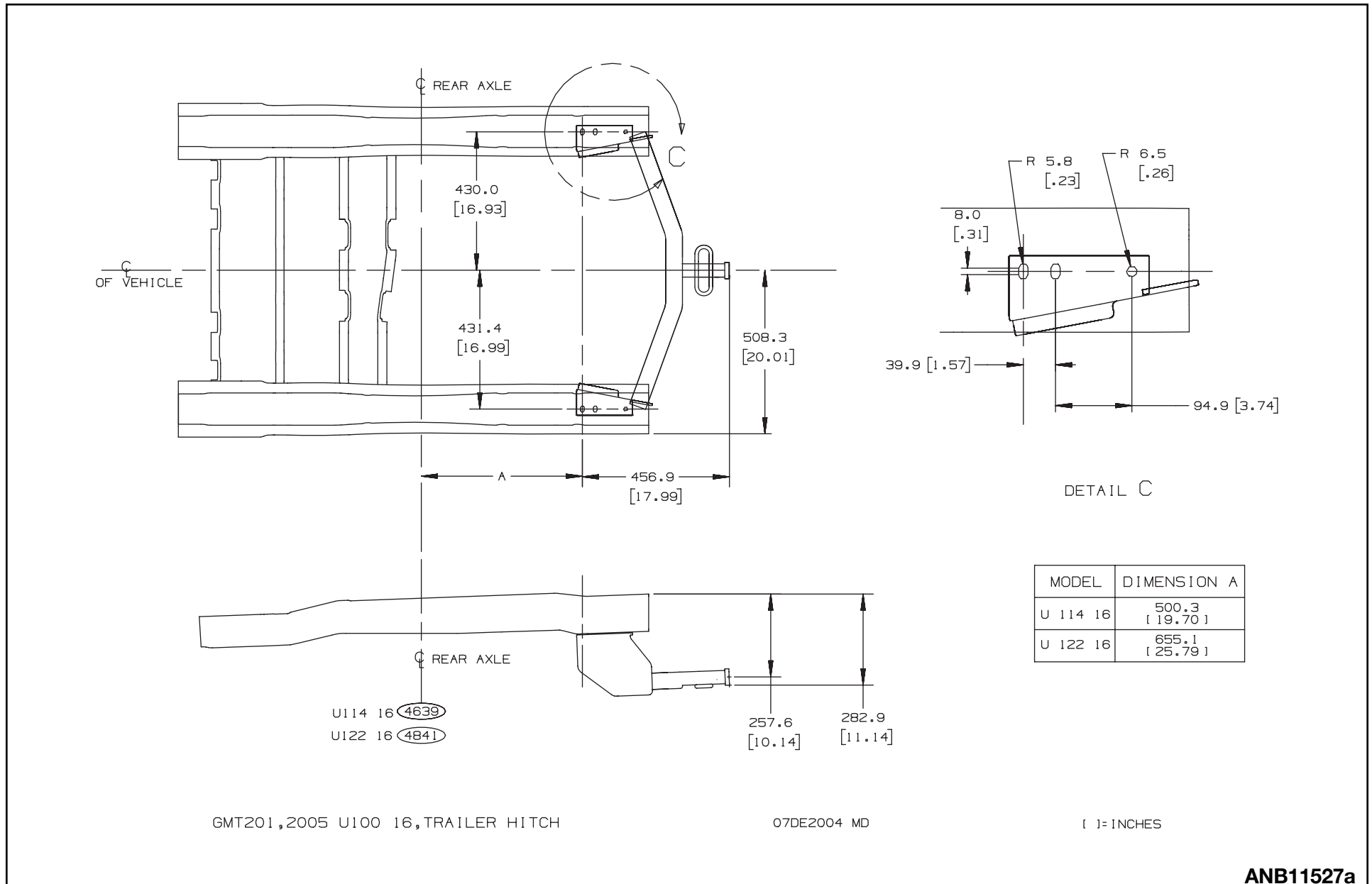
16N02004 MD

[] = INCHES

TD006300b

U/X CROSSOVER SPORT VAN (CSV)

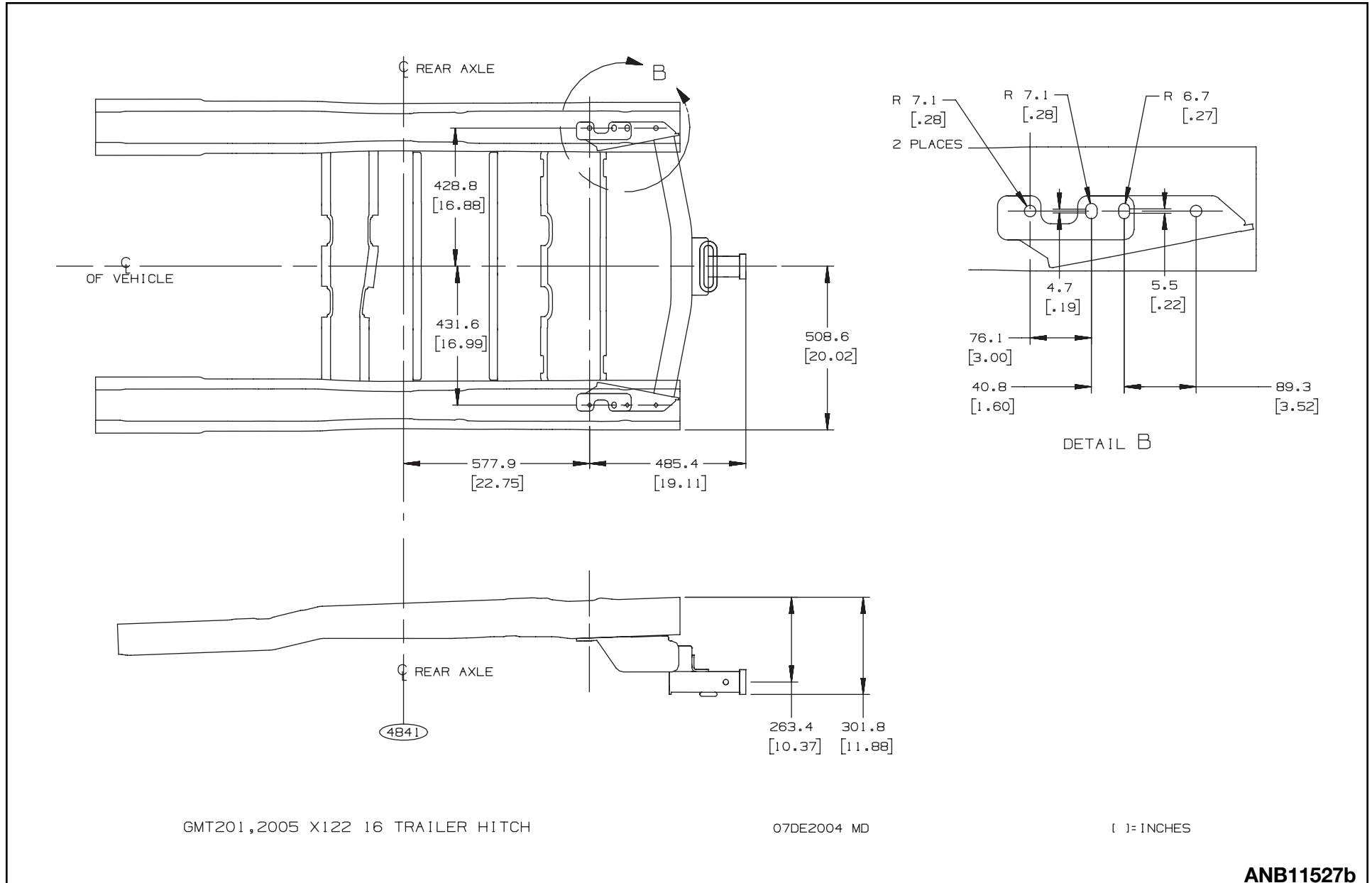
Trailer Hitch Location – U10016



ANB11527a

U/X CROSSOVER SPORT VAN (CSV)

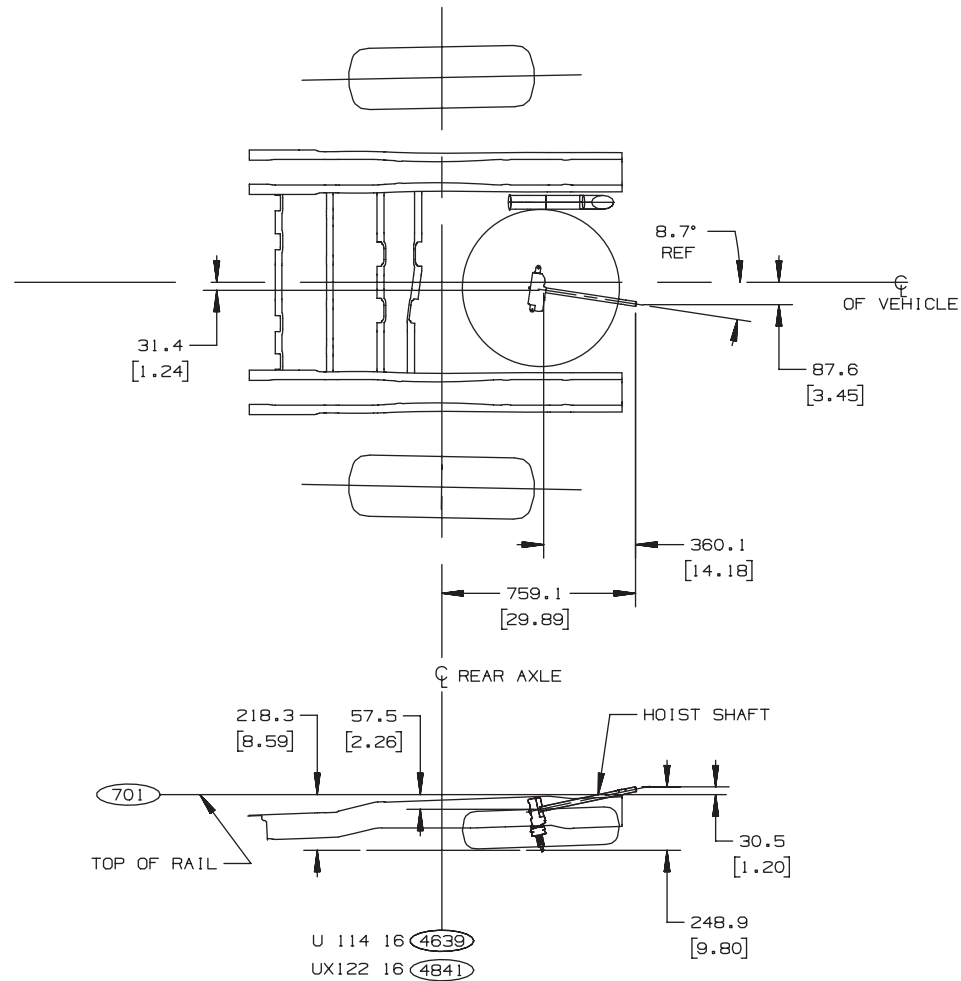
Trailer Hitch Location - X12216



ANB11527b

U/X CROSSOVER SPORT VAN (CSV)

Spare Tire Location - U/X10000



SPARE TIRE CARRIER GMT201 2005 U/X 100 00

07DE2004 MD

[]=INCHES

ANA85526a