

FULL SIZE C/K UTILITIES

Model Symbol Chart	1
Snow Plow Prep. Package	See Light Duty BBM “Special Applications – Snow Plow Prep Package” section
General Information.....	See Light Duty BBM “General Information” section
Trailer Information	See Light Duty Online Order/Ref. Guide – Light Duty “Trailer Specs”
Model and Option Weights	See Light Duty Online Order/Ref. Guide “Model & Opt. Weights” & “Weight Calculator”
Vehicle and Frame Height Chart.....	See Light Duty BBM “Vehicle and Frame Height Chart” section

VEHICLE

GENERAL ARRANGEMENT

C/K 10706.....	2
C/K 10906/20906	3
C/K 10936.....	4

BODY – EXTERIOR

FRONT END CLIPS

C/K 100/200 (06/36)	5
---------------------------	---

HOOD OPENINGS

C/K 100/200 (06/36)	6
---------------------------	---

HOOD PROFILES

GMC Z88 – C/K 100 (06/36) 20906	7
Chevy X88 – C/K 100 (06/36) 20906	8

SIGN AREA

C/K10706.....	9
C/K10/20 (906)	10

MIRRORS, OUTSIDE REARVIEW

C/K 100 (06/36) SUV, Options DL3 and DL8	11
C/K 100 (06/36) SUV, Options DPN and DE2	12

ROOF RACK

Overall Height C/K 000 06/36	13
------------------------------------	----

FULL SIZE C/K UTILITIES

BODY – INTERIOR

SEATING ARRANGEMENT

Seating Positions and H Points 1st Row Front View, Utilities – C/K 100/200 (06)	14
Seating Positions and H Points 2nd Row Front View, Utilities – C/K 100/200 (06)	15
Seating Positions and H Points 3rd Row Front View, Utilities – C/K 100/200 (06)	16
Seating Positions and H Points Side View, Utilities – C/K 100/200 (06)	17

SEAT MOUNTING HOLES LOCATIONS – FLOOR

C/K 10706 1st and 2nd Rows	18
C/K 10706 1st and 3rd Rows	19
C/K 10/20 (906) 1st, 2nd and 3rd Rows	20

CHASSIS

DATUM HOLE LOCATION – FRAME

C/K 100/200 (00)	21
------------------------	----

FRAME RAIL AND CROSSMEMBER LOCATION

C/K 10706	22
C/K 109 (06/36)	23
C/K 20906	24

SPARE TIRE LOCATION	25
---------------------------	----

PLATFORM HITCH

Utilities C/K 100/200 (06)	26
Ultimate Utility C/K 10936	27

FRONT AXLE/TIRE DATA

Front Axle/Tire Data Drawing – C/K10 (706/906)	28
Front Axle/Tire Data Drawing – C/K10 (706/906)	29
Front Axle/Tire Data Drawing – C/K20 (706/906)	30
Front Axle/Tire Data Drawing – C/K20 (706/906)	31

FULL SIZE C/K UTILITIES

CHASSIS – *Continued*

REAR AXLE/TIRE DATA

Rear Axle/Tire Data Drawing – C/K 100/200 (06).....	32
Rear Axle/Tire Data Chart – C/K 100/200 (06).....	33

FUEL SYSTEMS

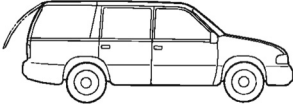

C/K 10706	34
C/K 10906/36	35
C/K 20906	36

EXHAUST SYSTEMS

C/K 20906 w/LY6 (6.0L Iron)	37
C/K 10706 w/LY2 (4.8L Iron) and NF9.....	38
C/K 10706 w/LY5 (5.3L Iron) and NU5	39
C/K 10906 w/L76 (6.0L Alum.) and NF9	40
C/K 10906 w/L92 (6.2L Alum.) and NF9	41
C/K 10906/36 w/L92 (6.2L Alum.) and NU1	42
C/K 10906/36 w/LY5 (5.3L Iron) and NU1.....	43

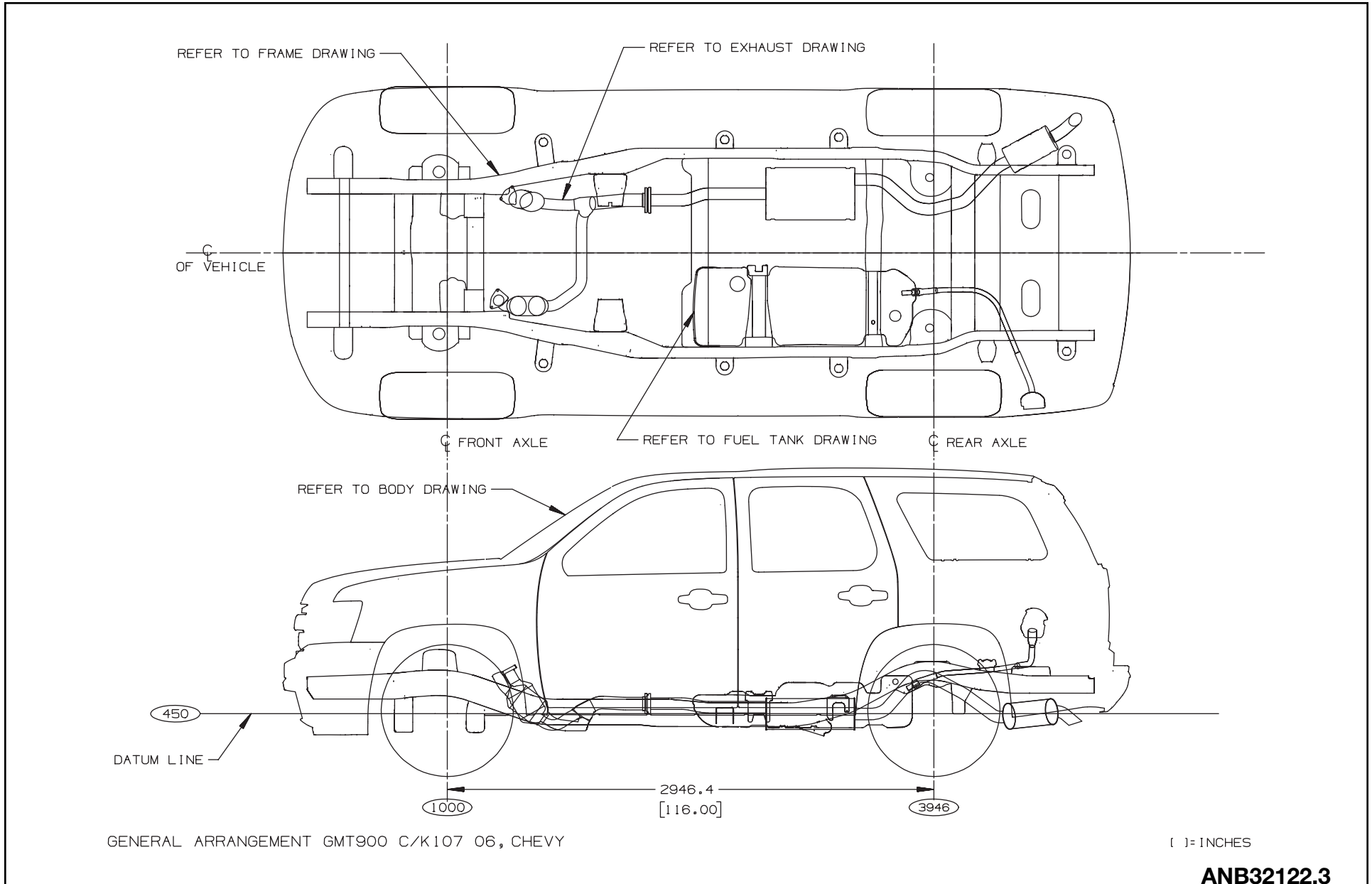
FULL SIZE C/K UTILITIES

Model Symbol Chart

						
MARKETS (Optional)	ENGINEERING MODEL	4-DOOR UTILITY WITH REAR LIFTGATE / LIFTGLASS	4-DOOR UTILITY WITH REAR LIFTGATE / LIFTGLASS	GVWR (kg/lbs)	WHEELBASE (mm/in)	CAB-TO-AXLE (mm/in)
All	C107	06 + E52		3220/7100	2946/116.0	
All	C109		06 + E52	3266/7200	3302/130.0	
All	C209		06 + E52	3901/8600	3302/130.0	
US and Canada	C107 (AHSII)	06 + E52		TBD	2946/116.0	
All	K107	06 + E52		3311/7300	2946/116.0	
All	K109		06 + E52	3357/7400	3302/130.0	
All	K209		06 + E52	3901/8600	3302/130.0	

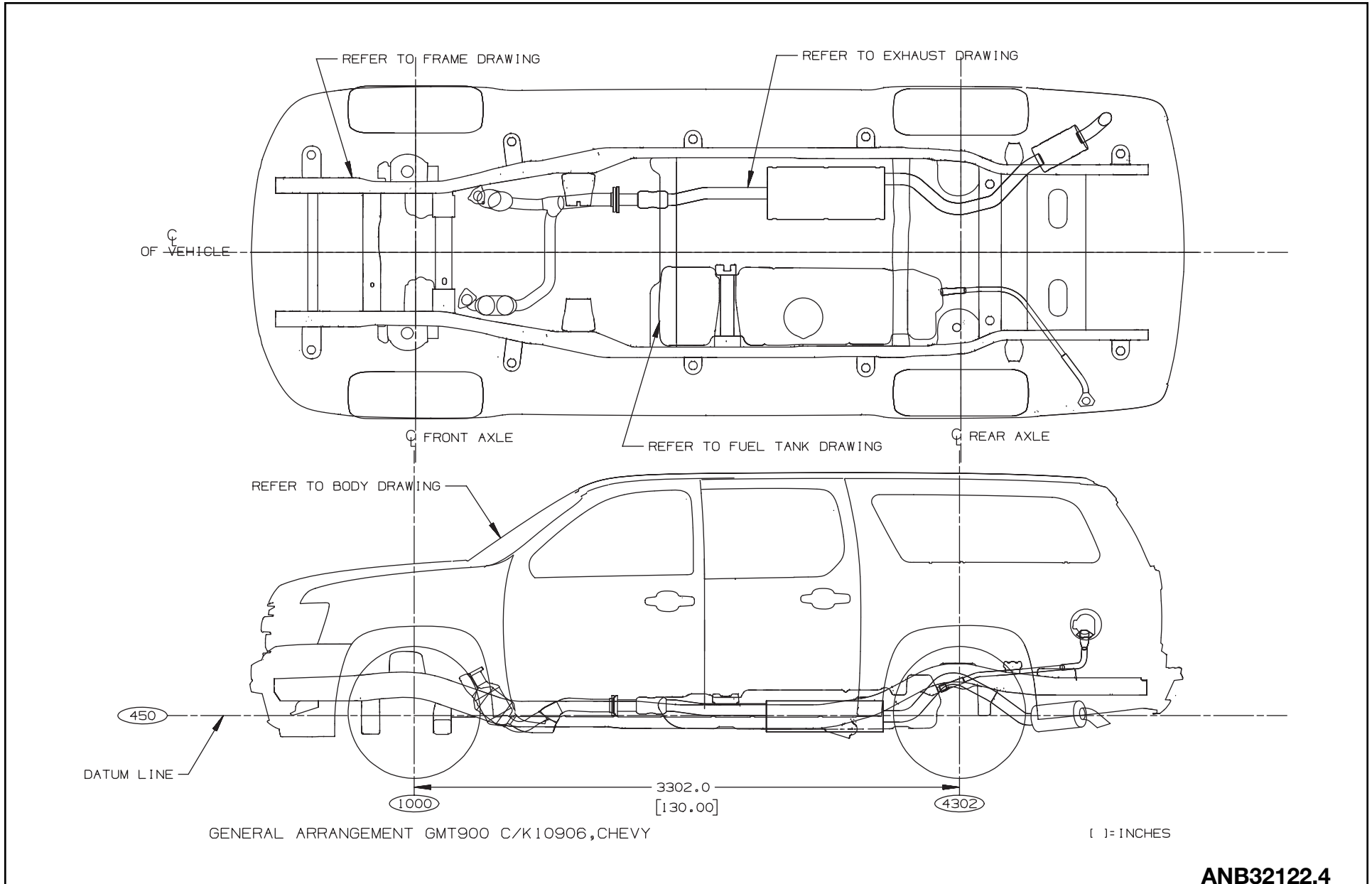
FULL SIZE C/K UTILITIES

C/K10706 – General Arrangement



FULL SIZE C/K UTILITIES

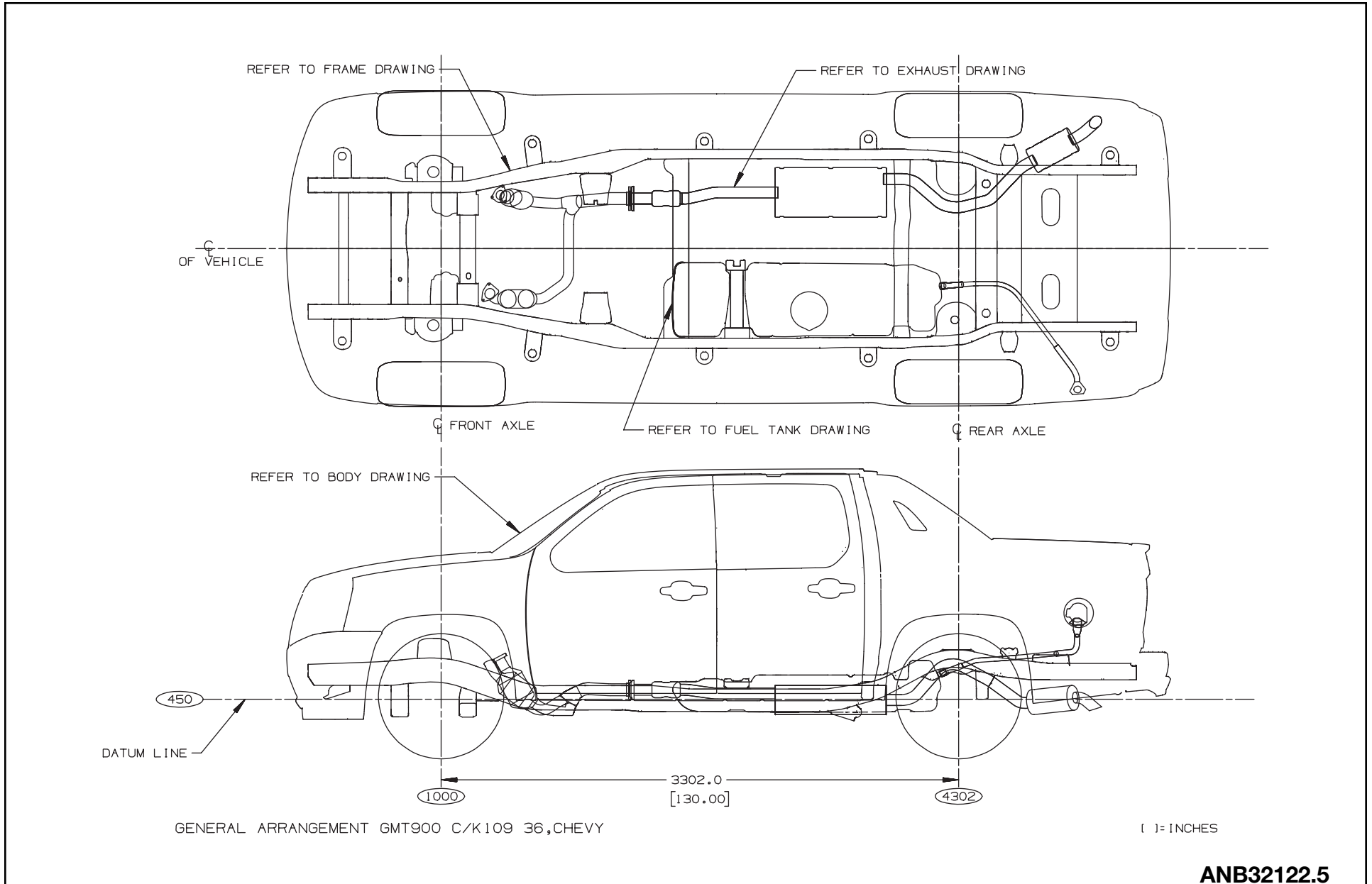
C/K10906/20906 – General Arrangement



ANB32122.4

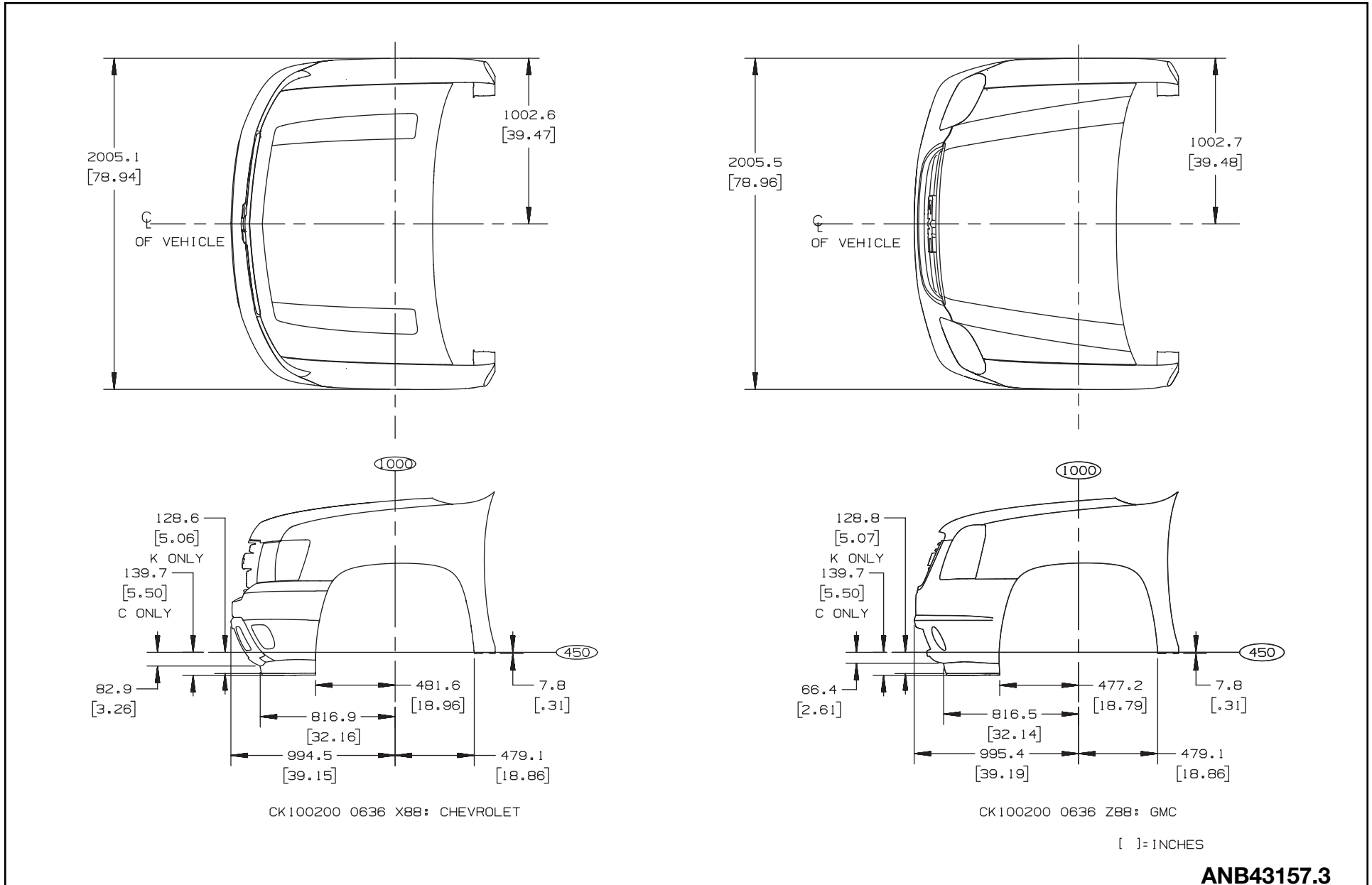
FULL SIZE C/K UTILITIES

C/K 10936 - General Arrangement



FULL SIZE C/K UTILITIES

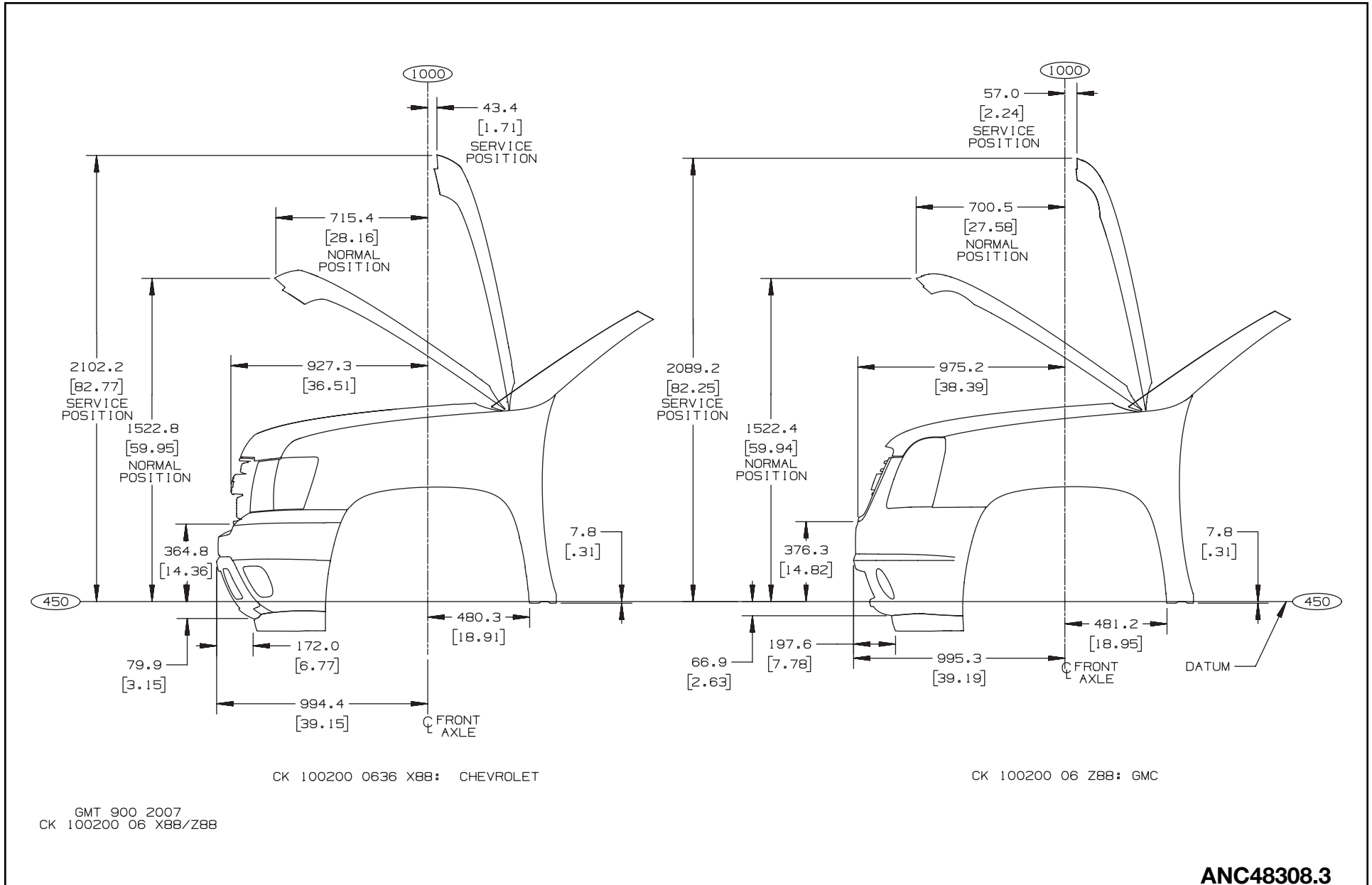
C/K 100/200 (06/36) – Front End Clips



ANB43157.3

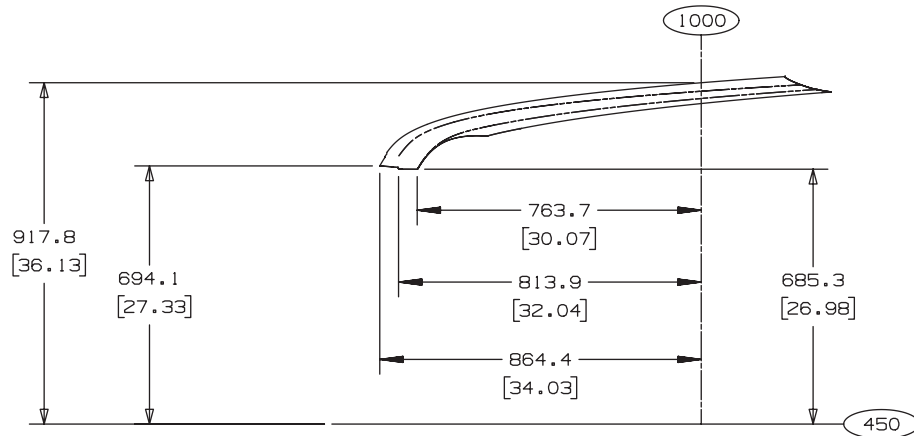
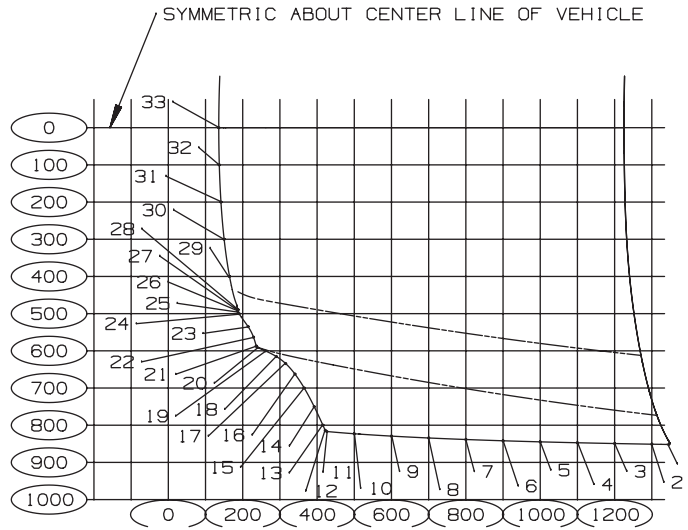
FULL SIZE C/K UTILITIES

C/K 100/200 (06/36) – Hood Openings



FULL SIZE C/K UTILITIES

GMC Z88 – C/K 100 (06/36) 20906 – Hood Profiles



PT. #	LENGTH	WIDTH
1	1345.4	851.8
2	1300.0	851.0
3	1200.0	849.3
4	1100.0	847.2
5	1000.0	844.7
6	900.0	841.9
7	800.0	838.3
8	700.0	834.3
9	600.0	829.3
10	500.0	823.0
11	426.0	816.9
12	421.9	813.9
13	415.6	800.0
14	392.2	750.0
15	365.4	700.0
16	340.4	662.3
17	315.4	634.1
18	290.4	615.3
19	260.6	600.0
20	239.0	590.9
21	236.3	586.9
22	229.0	563.2
23	214.3	534.7
24	190.3	500.0
25	186.3	493.3
26	186.2	492.2
27	186.9	489.5
28	186.9	488.9
29	164.6	400.0
30	150.0	300.0
31	141.5	200.0
32	137.0	100.0
33	135.6	0.0

DRIVER SIDE COORDINATES

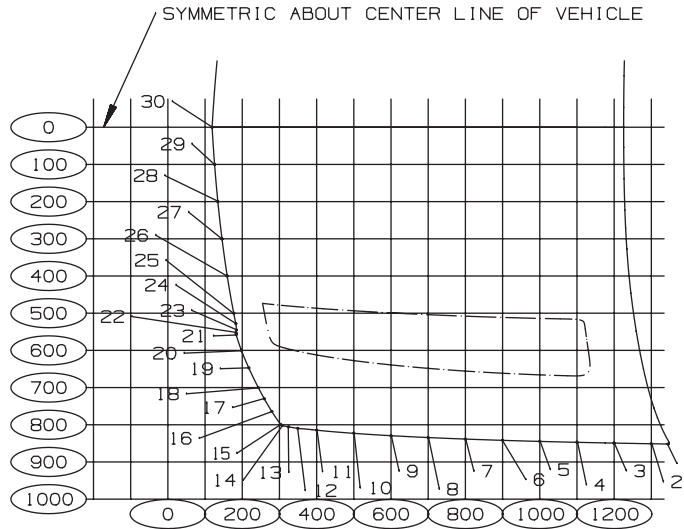
GMT900 HOOD PROFILE Z88 (GMC) 2007 0636

[]=INCHES

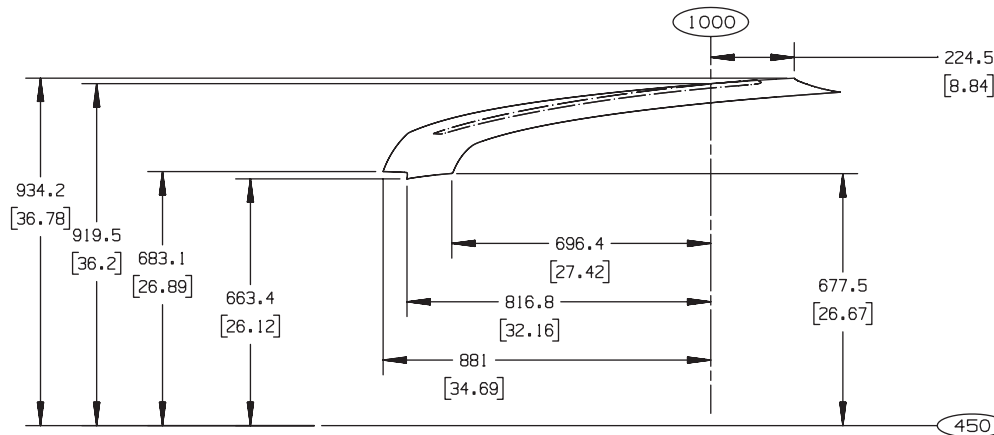
ANB47416.3

FULL SIZE C/K UTILITIES

Chevy X88 – C/K 100 (06/36) 20906 – Hood Profiles



PT. #	LENGTH	WIDTH
1	1345.2	851.8
2	1300.0	851.1
3	1200.0	849.3
4	1100.0	847.2
5	1000.0	844.8
6	900.0	841.9
7	800.0	838.5
8	700.0	834.4
9	600.0	829.4
10	500.0	823.1
11	400.0	814.6
12	349.0	809.6
13	324.3	805.7
14	307.0	802.2
15	303.6	799.3
16	279.5	764.3
17	259.3	730.1
18	243.1	700.0
19	217.6	647.2
20	197.7	600.0
21	183.6	557.5
22	183.3	553.3
23	184.3	545.1
24	182.6	527.9
25	177.1	500.0
26	159.6	400.0
27	145.5	300.0
28	134.3	200.0
29	125.6	100.0
30	118.9	0.0



DRIVER SIDE COORDINATES

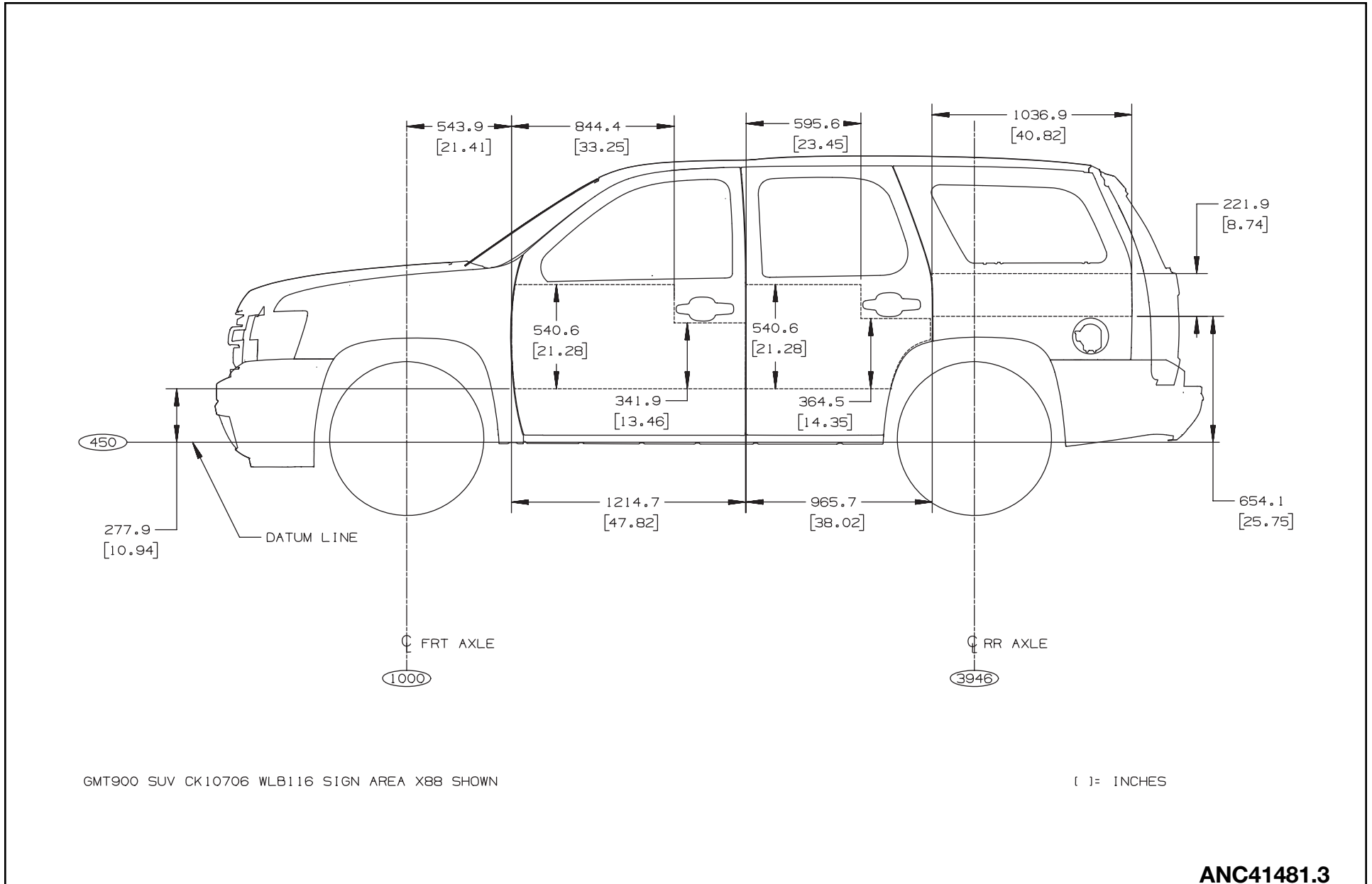
GMT900 HOOD PROFILE X88 (CHEV) 2007 0636

[] = INCHES

ANB49774.3

FULL SIZE C/K UTILITIES

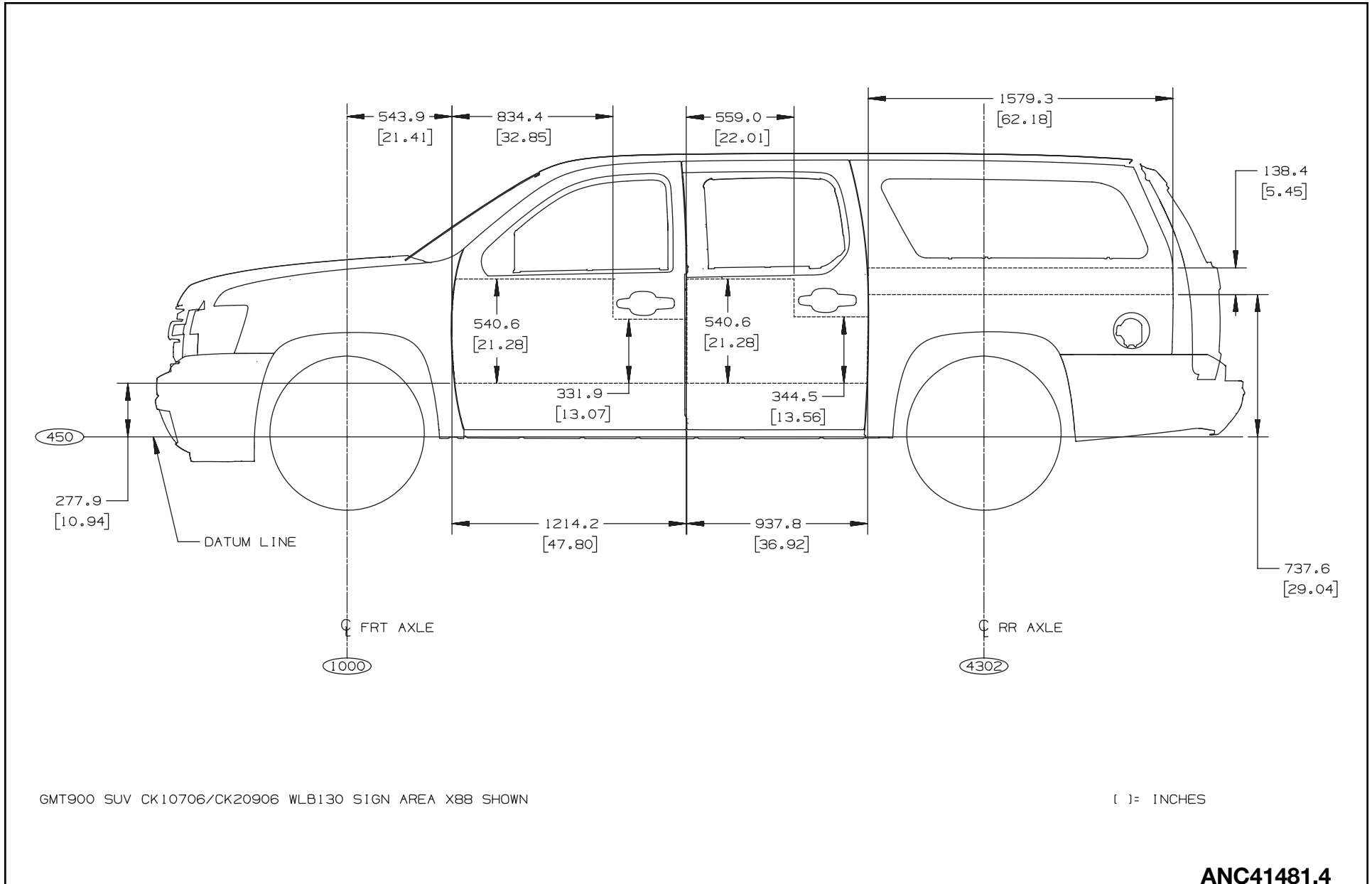
C/K10706 – Sign Area



ANC41481.3

FULL SIZE C/K UTILITIES

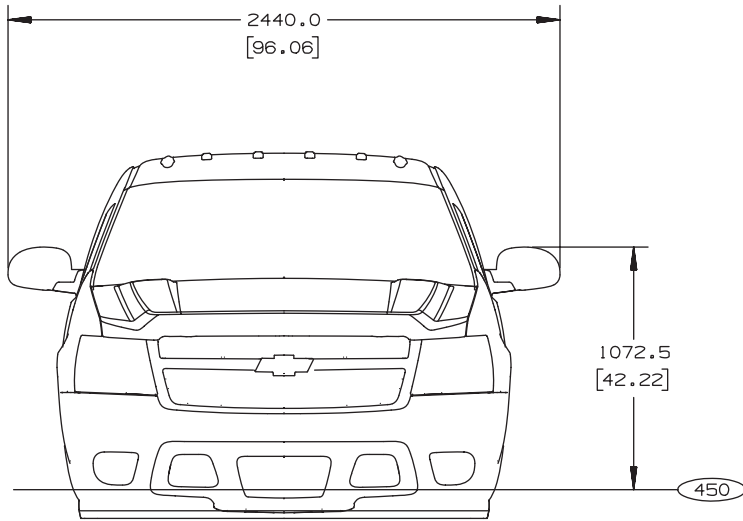
C/K 10/20 (906) – Sign Area



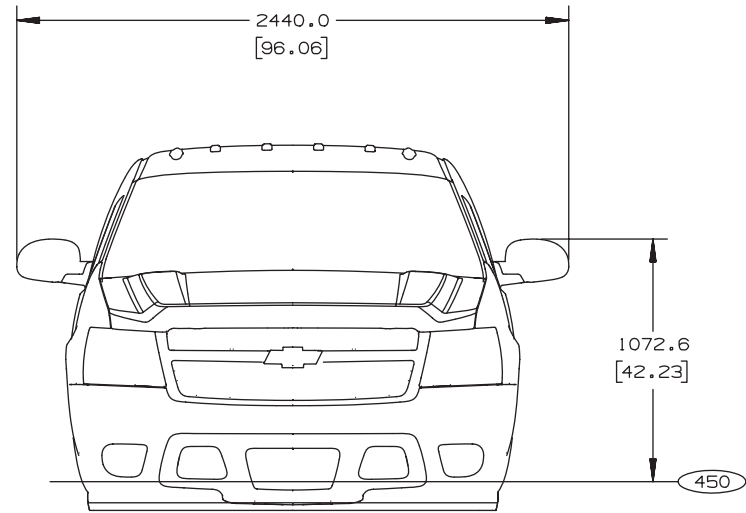
ANC41481.4

FULL SIZE C/K UTILITIES

C/K 100 (06/36) SUV, options DL3 and DL8 – Mirrors, Outside Rearview



*DL3 SUV (TRUCK 1000 SERIES)



*DL8 SUV ONLY

ALL DIMENSIONS SHOWN FOR CHEVY
BASE MODEL UNLESS OTHERWISE NOTED

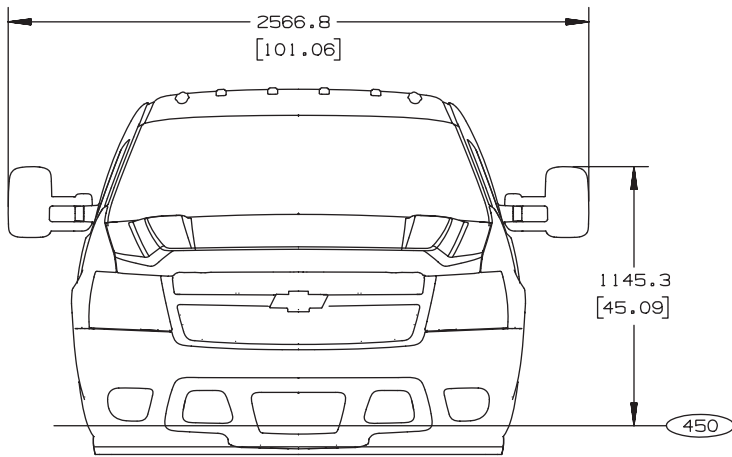
GMT900 SUV 0636 / TRUCK 1000 SERIES

() = INCHES

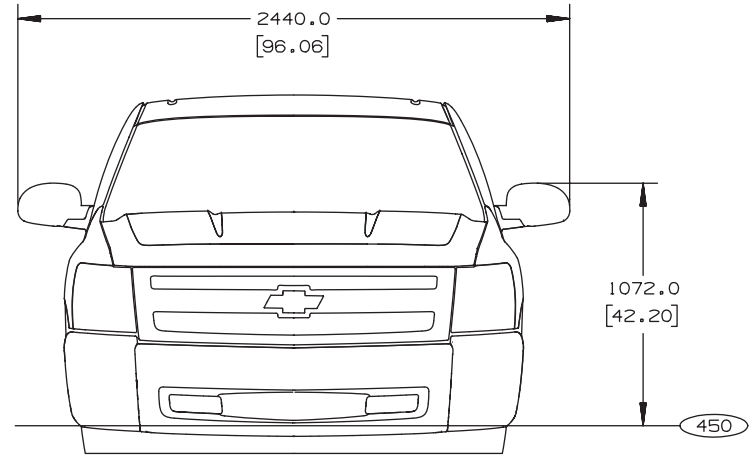
ANC22057.3

FULL SIZE C/K UTILITIES

C/K 100 (06/36) SUV, options DPN and DE2 – Mirrors, Outside Rearview



*DPN SUV (TRUCK 1000 SERIES)



*DE2 TRUCK 1000 SERIES

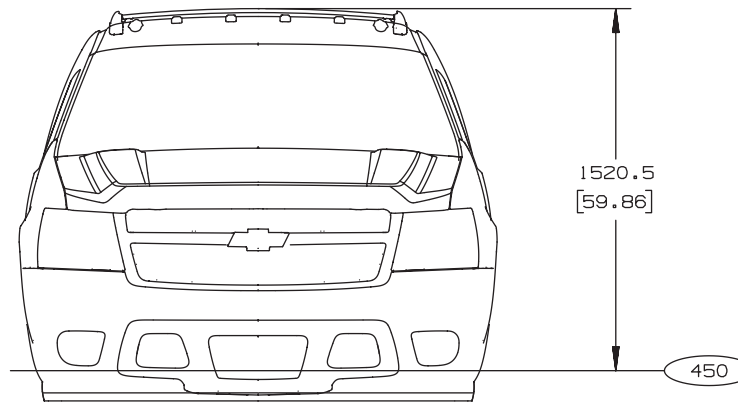
ALL DIMENSIONS SHOWN FOR CHEVY
BASE MODEL UNLESS OTHERWISE NOTED

GMT900 SUV 0636 / TRUCK 1000 SERIES

() = INCHES

ANC22057.4

Overall Height C/K 000 06/36 – Roof Rack



CHEVY SHOWN / GMC SAME AS CHEVY

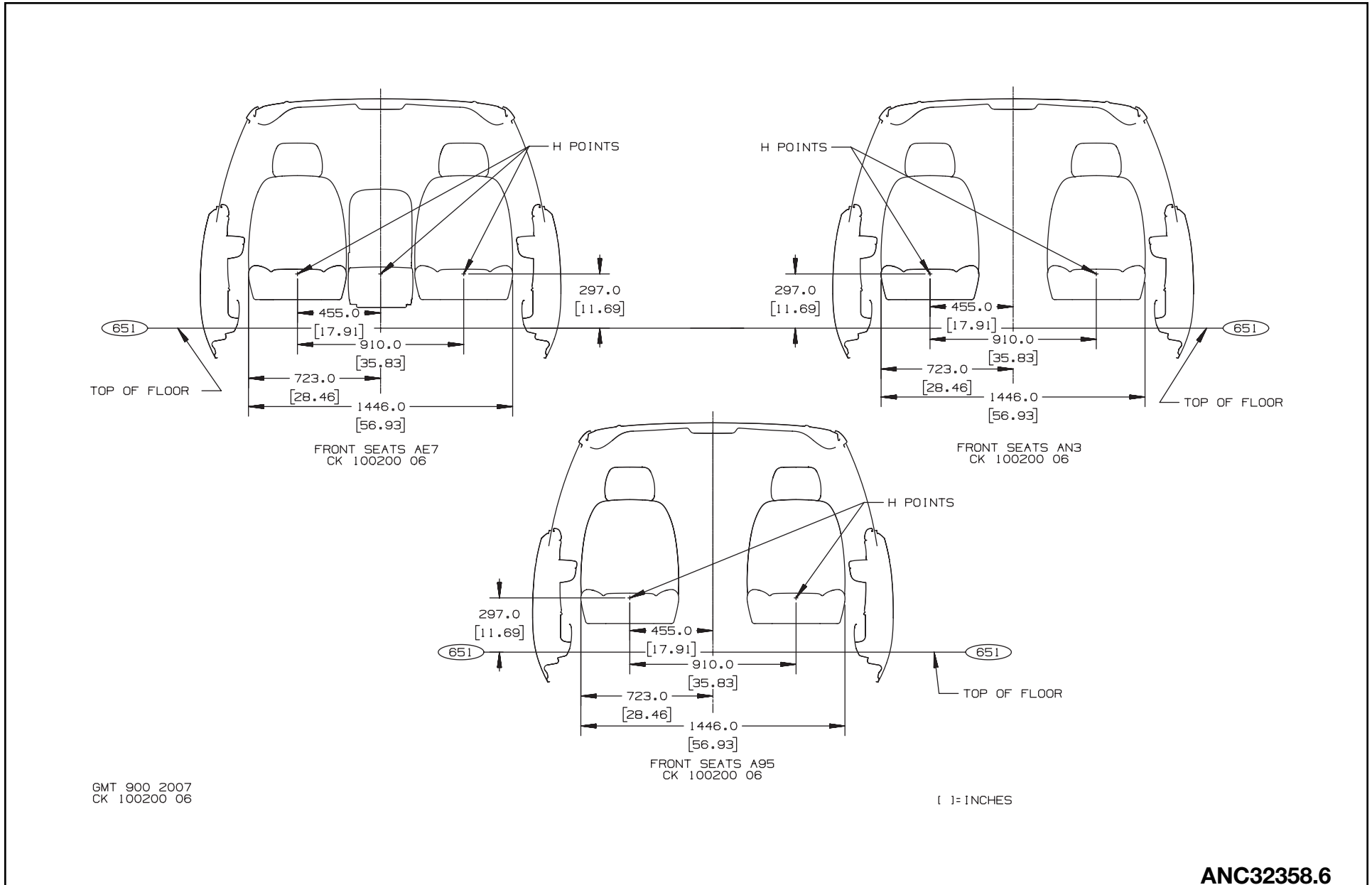
GMT900 0636

[] = INCHES

ANC24426.3

FULL SIZE C/K UTILITIES

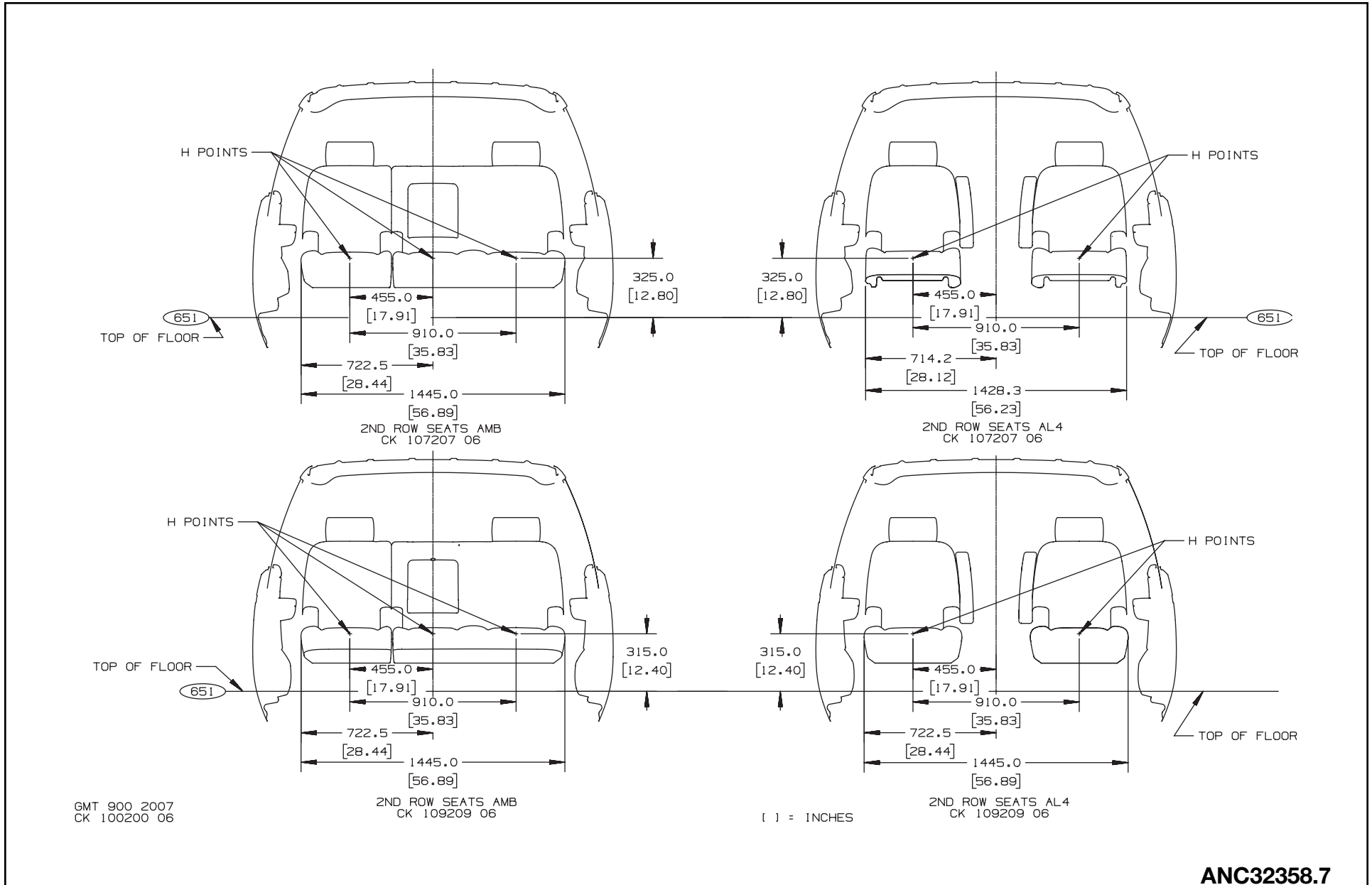
Seating Positions and H Points 1st Row Front View, Utilities – C/K 100/200 (06)



ANC32358.6

FULL SIZE C/K UTILITIES

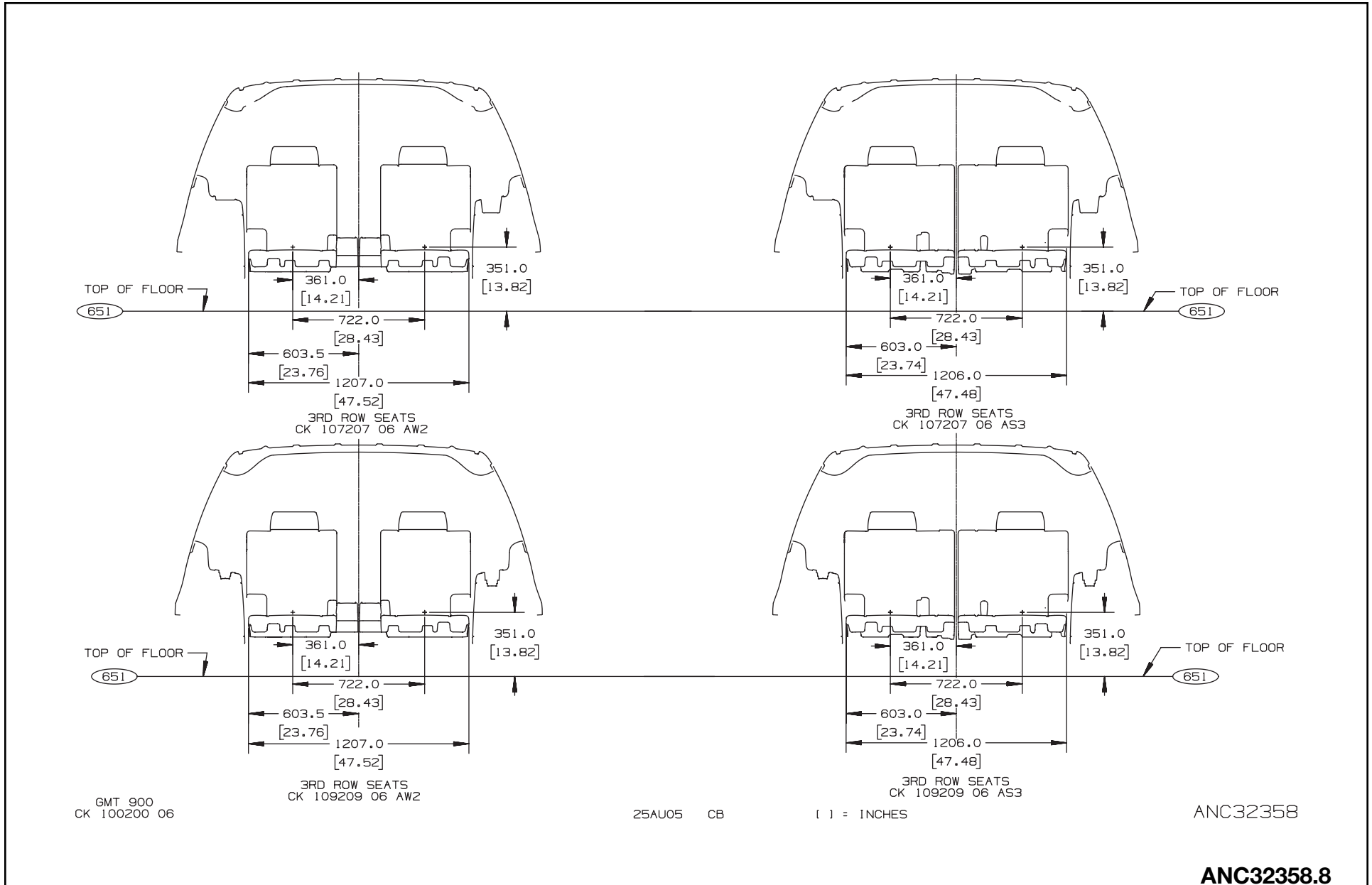
Seating Positions and H Points 2nd Row Front View, Utilities – C/K 100/200 (06)



ANC32358.7

FULL SIZE C/K UTILITIES

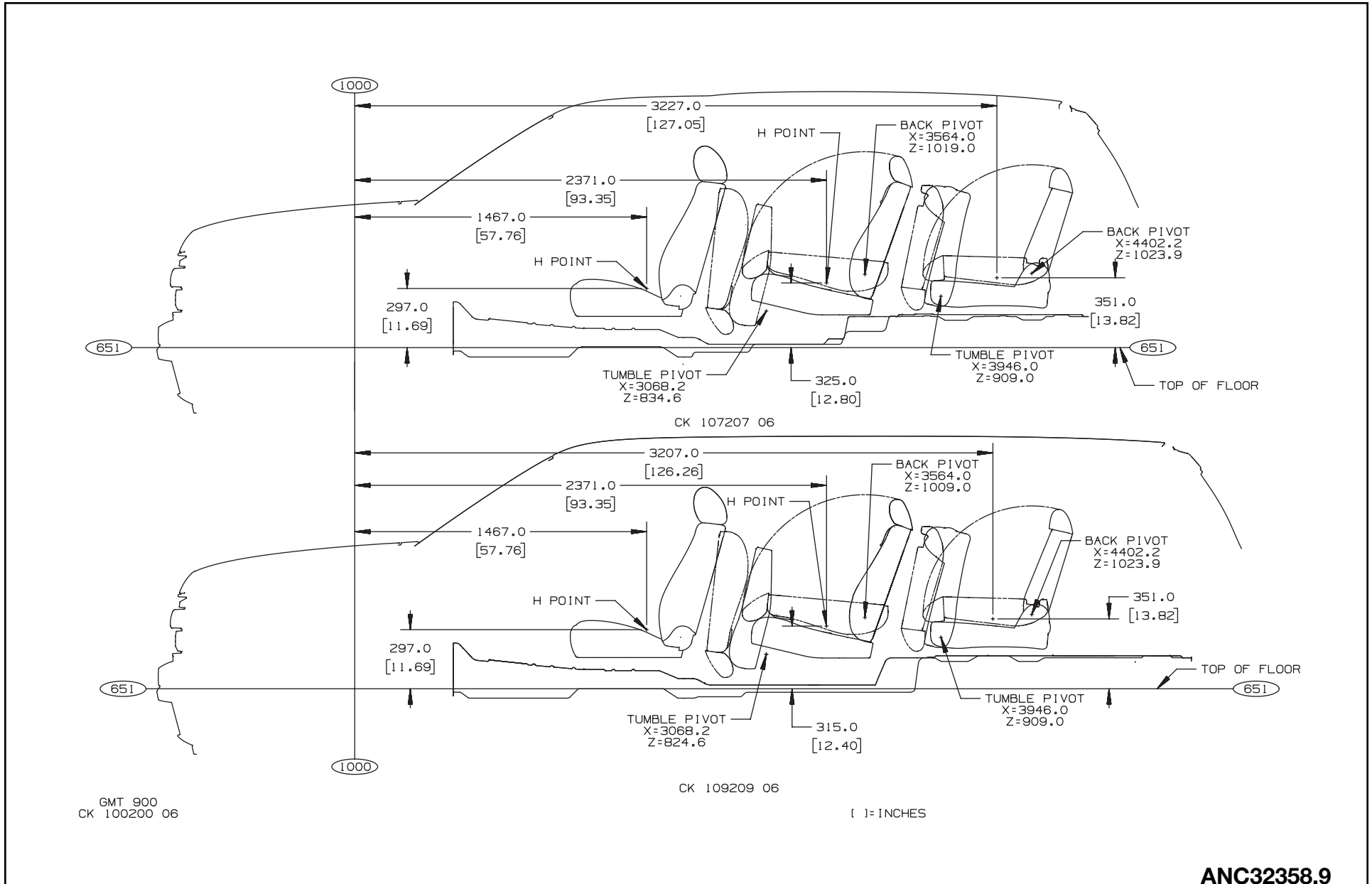
Seating Positions and H Points 3rd Row Front View, Utilities – C/K 100/200 (06)



ANC32358.8

FULL SIZE C/K UTILITIES

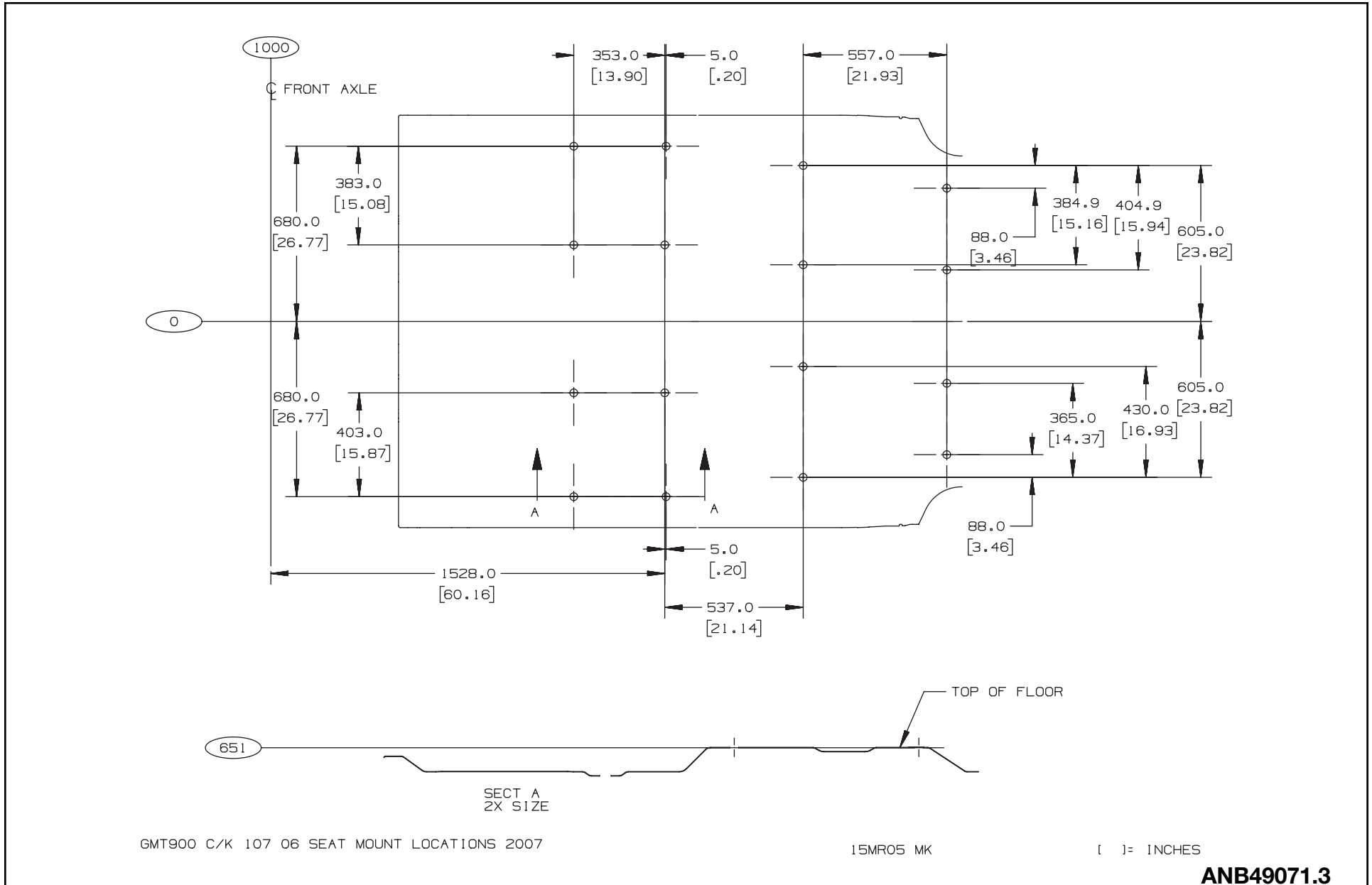
Seating Positions and H Points Side View, Utilities – C/K 100/200 (06)



ANC32358.9

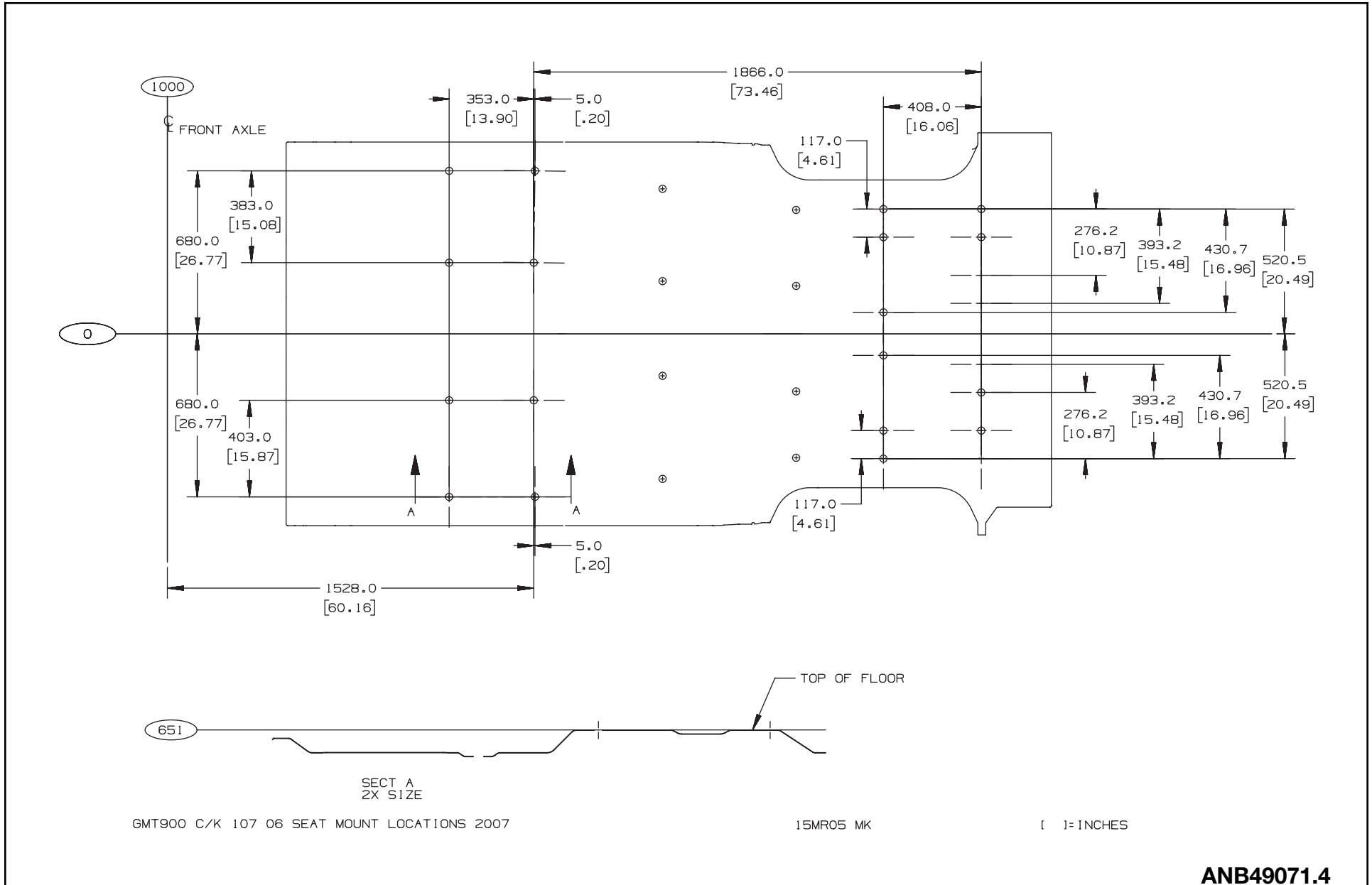
FULL SIZE C/K UTILITIES

C/K 10706 1st and 2nd Rows – Seat Mounting Holes Locations – Floor



FULL SIZE C/K UTILITIES

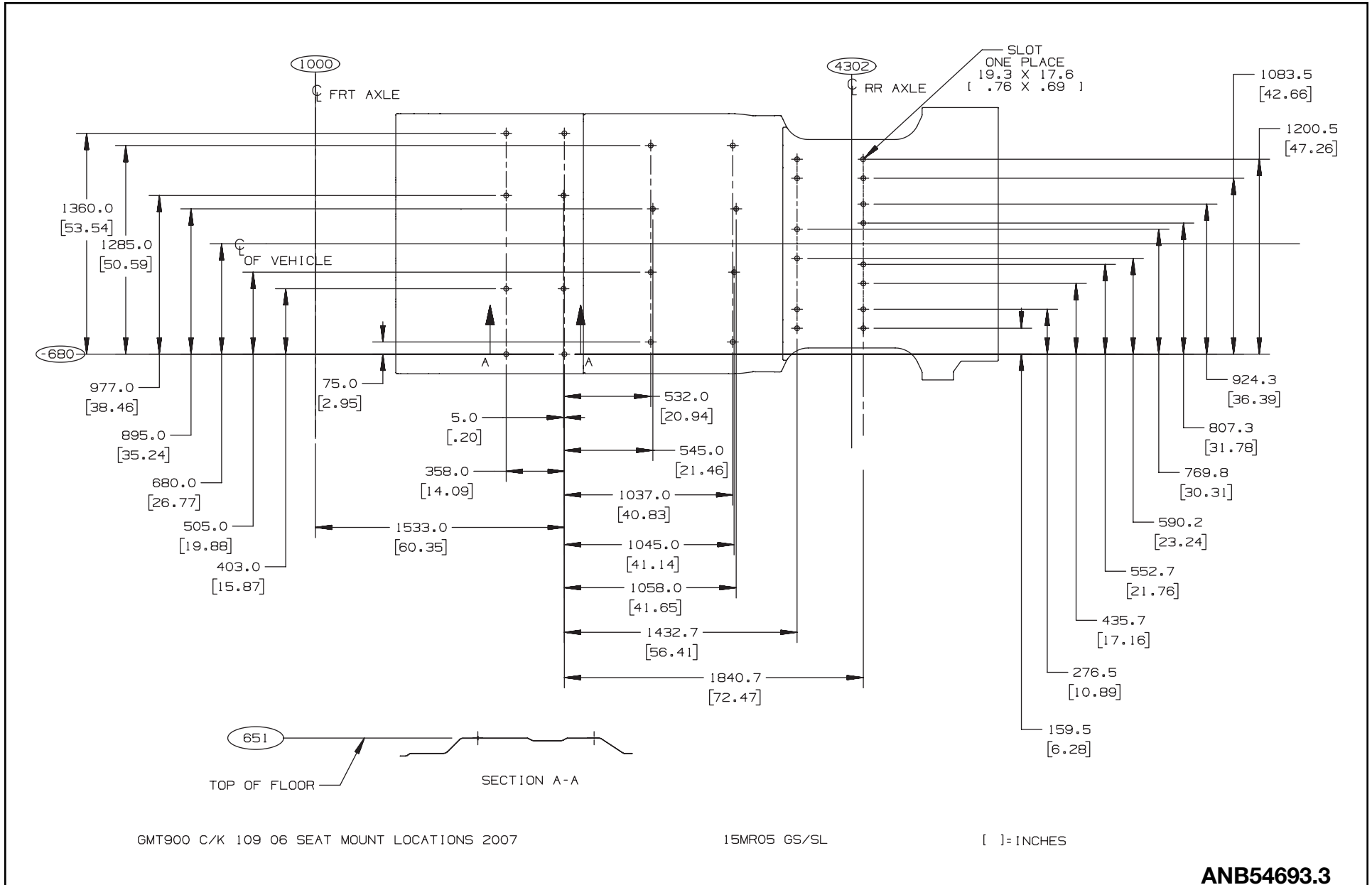
C/K 10706 1st and 3rd Rows – Seat Mounting Holes Locations – Floor



ANB49071.4

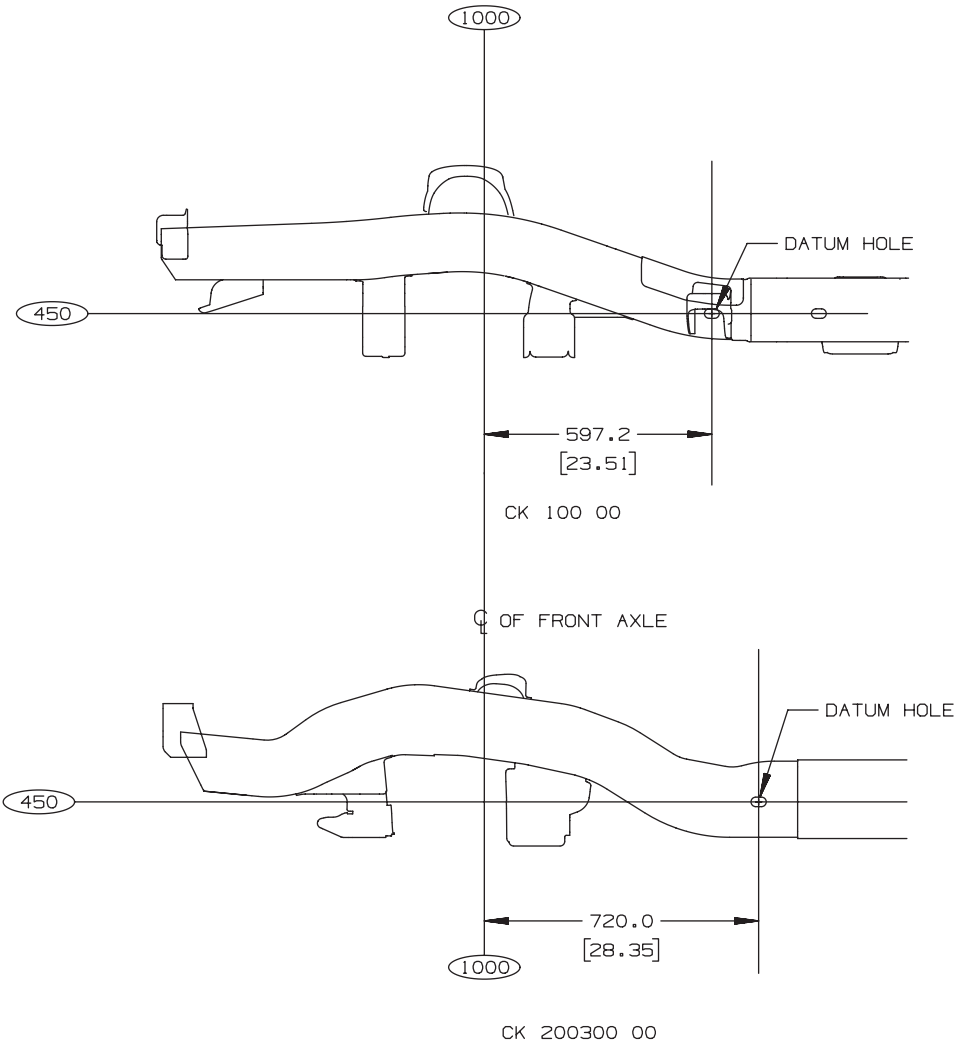
FULL SIZE C/K UTILITIES

C/K 10/20 (906) 1st, 2nd and 3rd Rows – Seat Mounting Holes Locations – Floor



ANB54693.3

C/K 100/200 (00) – Datum Hole Location

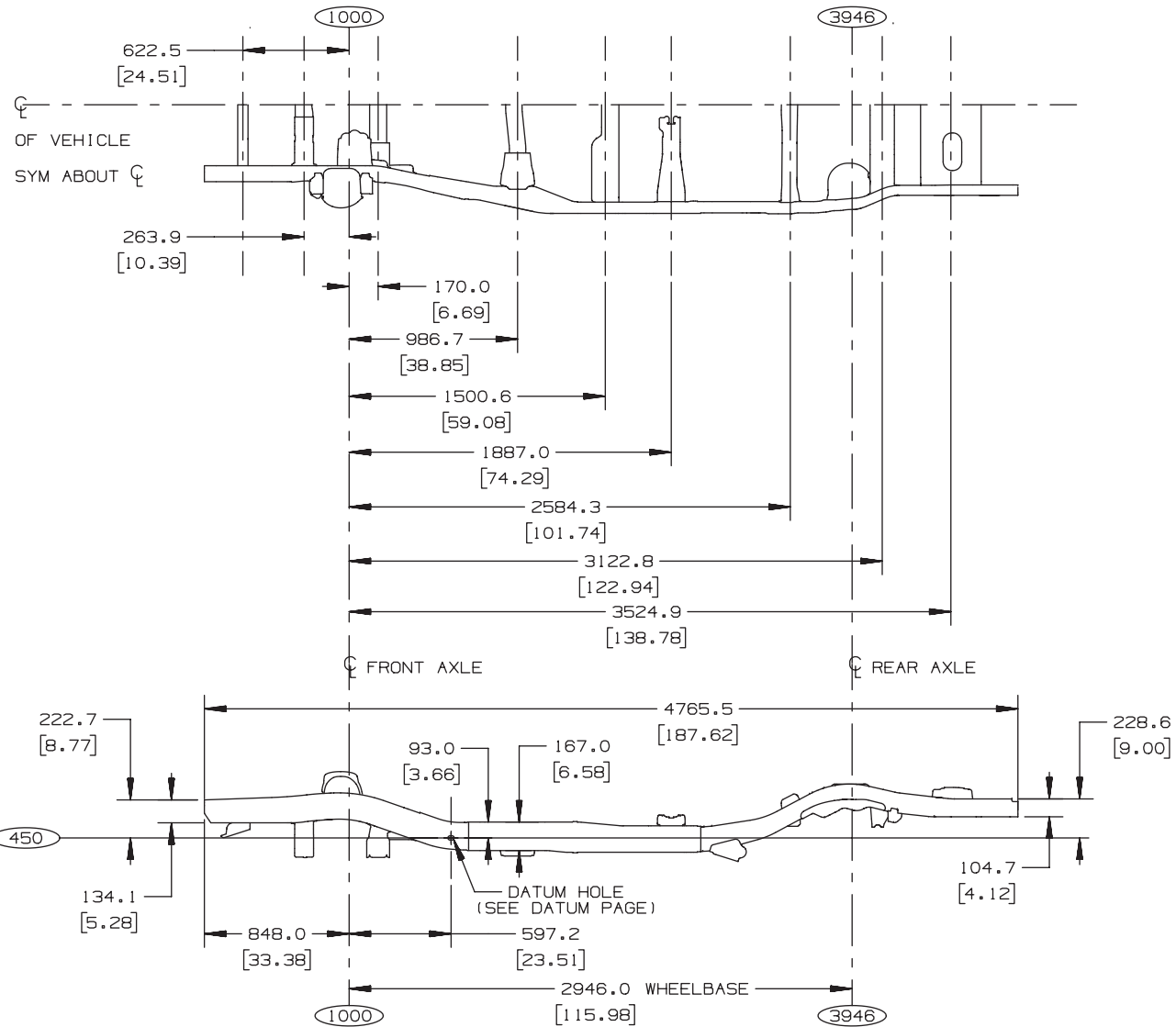


GMT 900 CK100200300 00 FRAME DATUM LOCATIONS

[] = INCHES

ANC30752.3

C/K 10706 – Frame Rail and Crossmember Locations

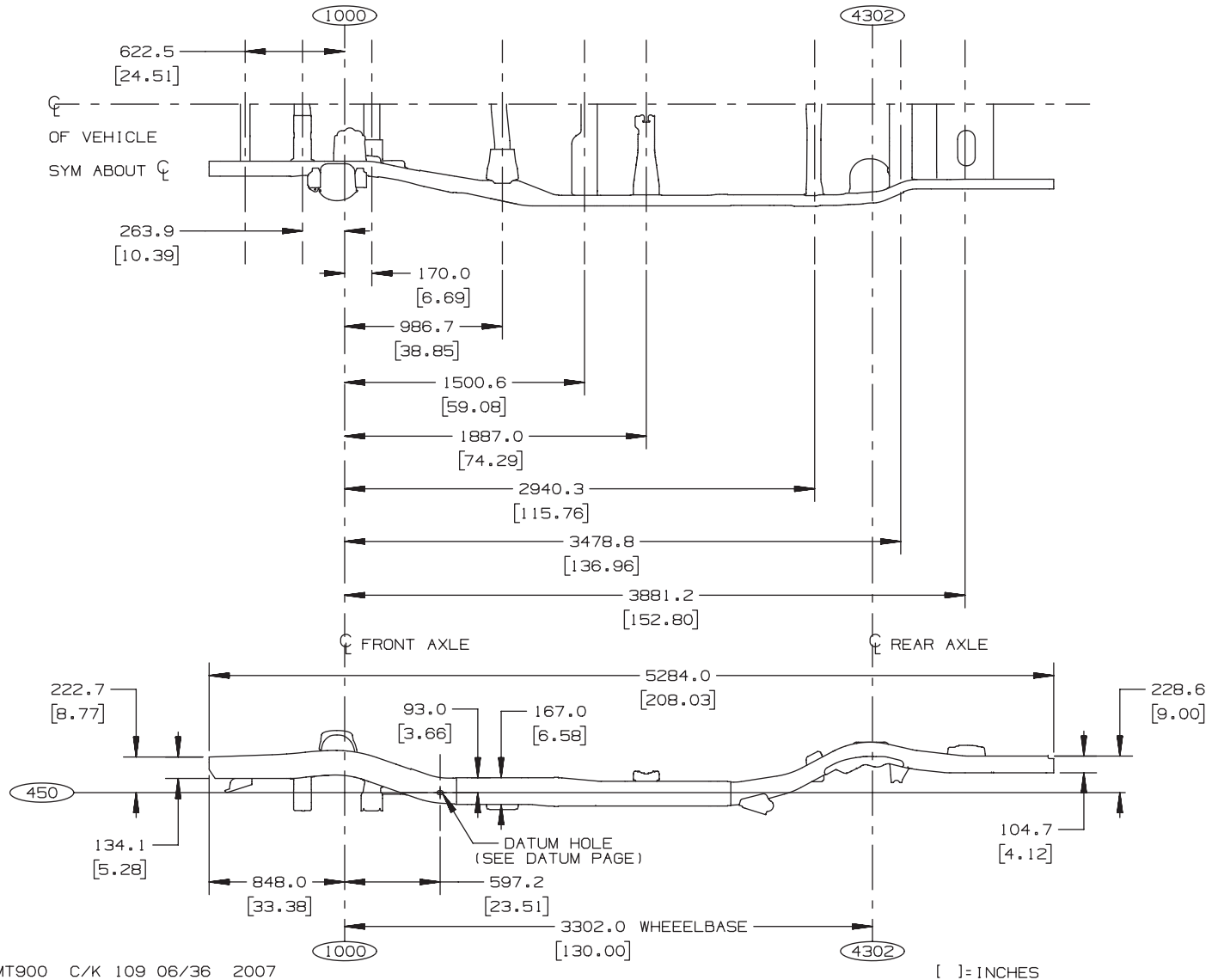


GMT900 C/K 107 06 2007

[] = INCHES

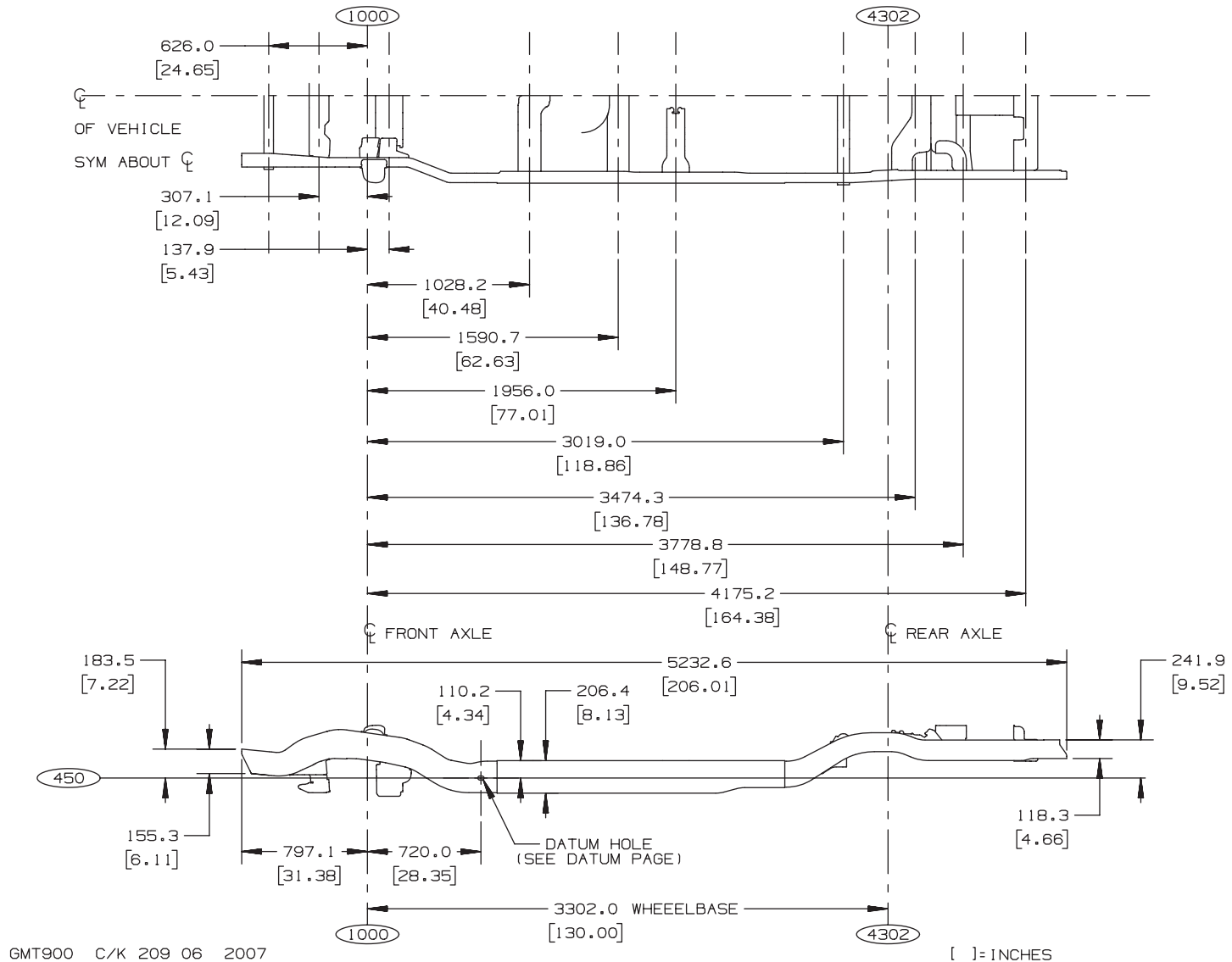
ANB34864.3

C/K 109 (06/36) – Frame Rail and Crossmember Locations



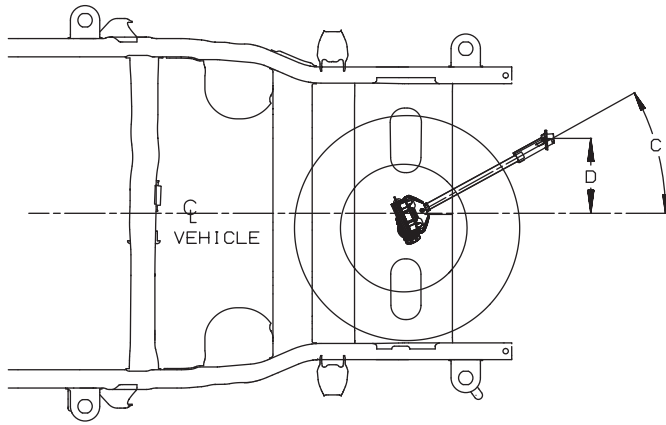
ANB34864.4

C/K 20906 - Frame Rail and Crossmember Locations

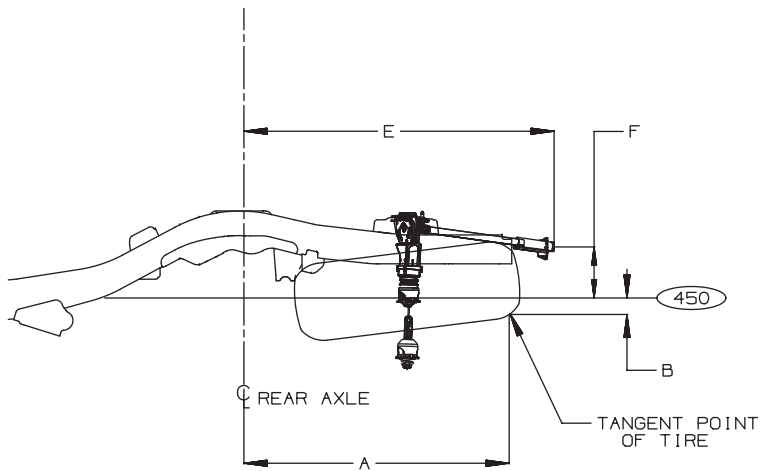


ANB34864.5

Spare Tire Location



MODEL	TIRE	A	B	C	D	E	F
CK10706	P265/70R17	915.5 [36.04]	88.0 [3.46]	28.6°	263.0 [10.35]	1123.0 [44.21]	185.6 [7.31]
CK10906	P265/70R17	941.8 [37.08]	135.0 [5.32]	22.5°	271.6 [10.69]	1284.4 [50.57]	185.6 [7.31]
CK20906	P265/70R17	941.8 [37.08]	135.0 [5.32]	20.9°	271.6 [10.69]	1284.4 [50.57]	185.6 [7.31]



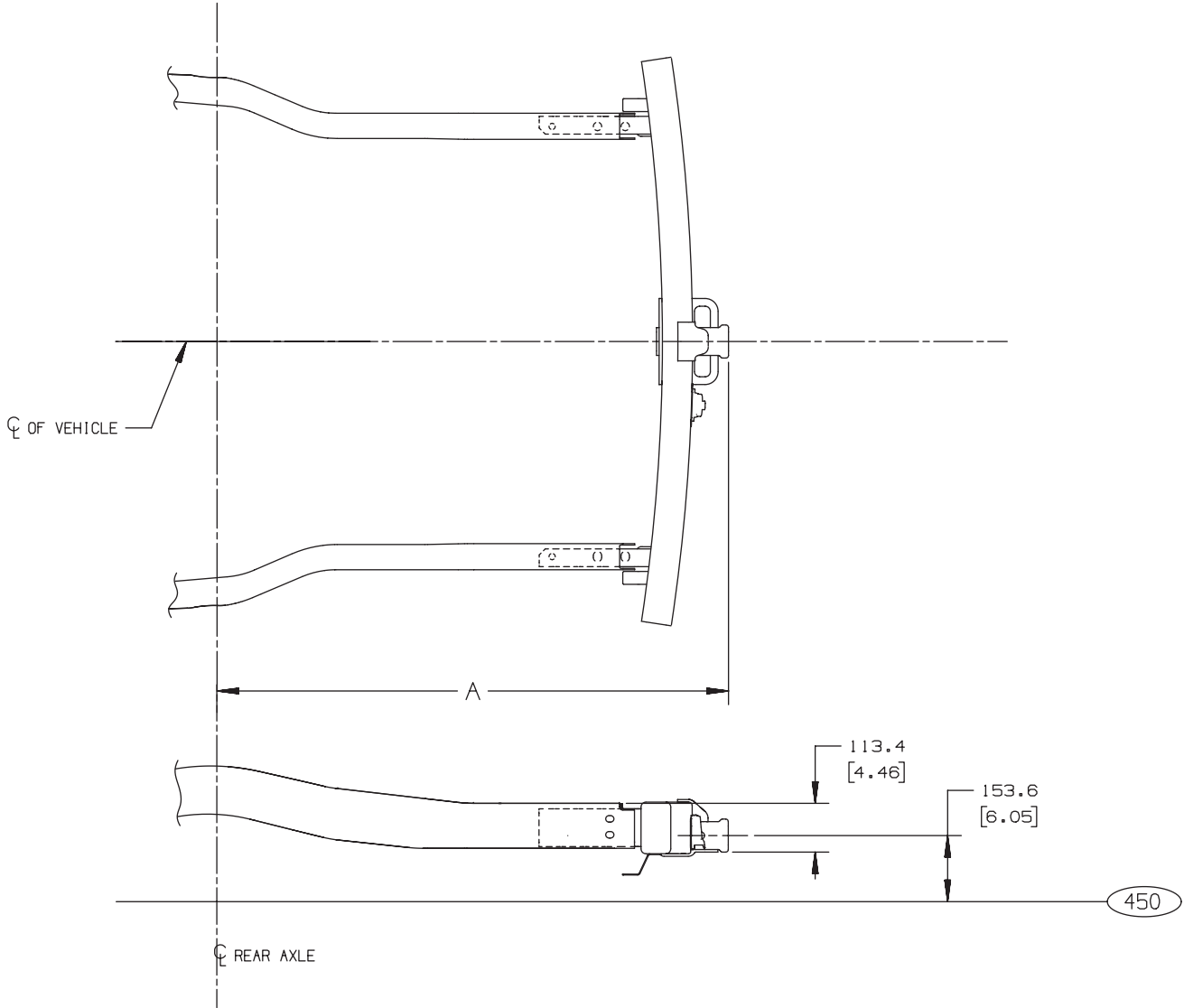
GMT900 2007 SPARE TIRE UTILITIES

310C05 SW []= INCHES

ANC39360.3

FULL SIZE C/K UTILITIES

Utilities C/K 100/200 (06) – Platform Hitch



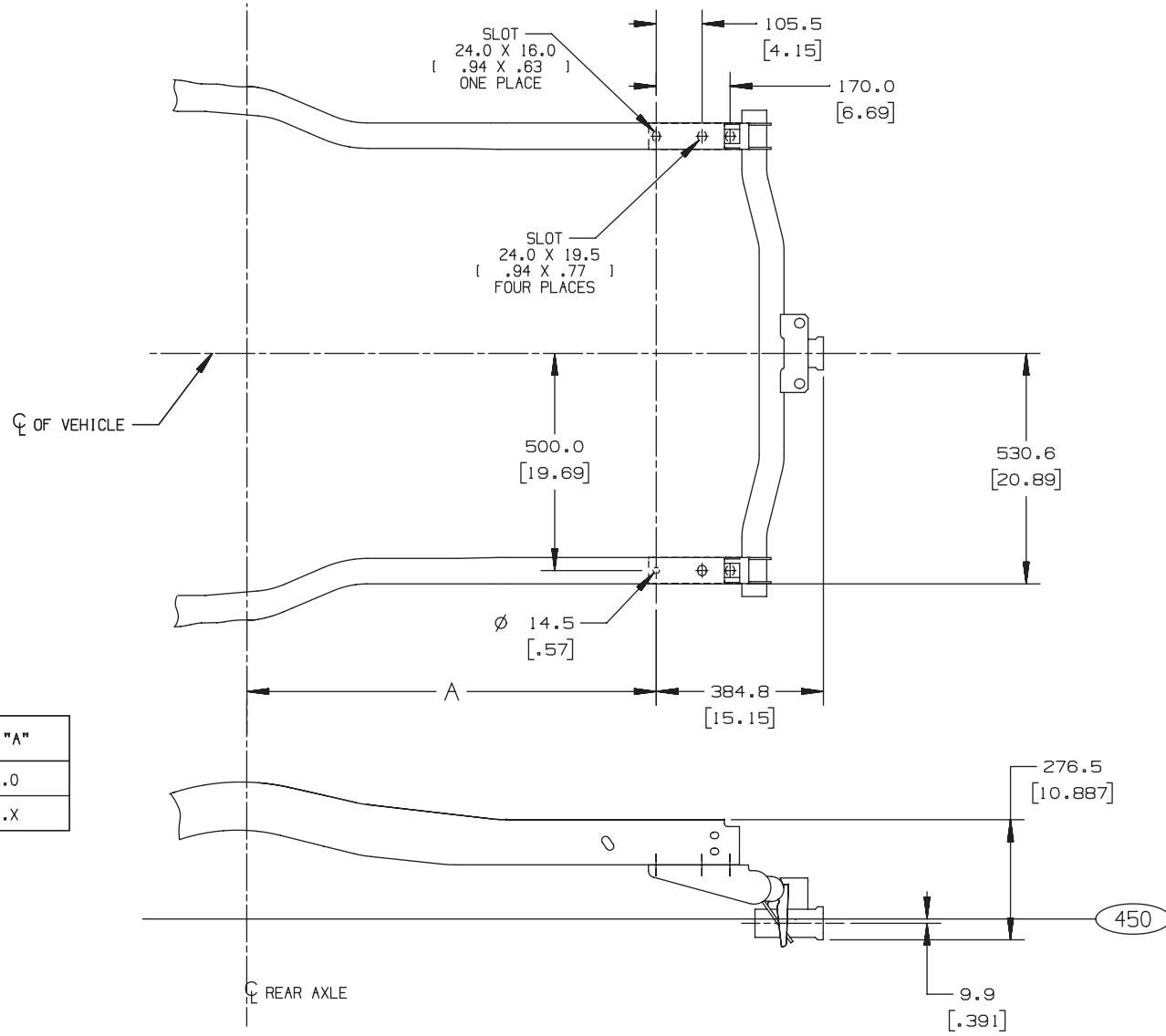
MODEL	CL REAR AXLE	DIM "A"
C 107 06	3946	1189.2
C 109/209 06	4302	1352.1

GMT900 C/K 100/200 06 2007

[] = INCHES

ANB60845.3

Ultimate Utility C/K 10936 – Platform Hitch



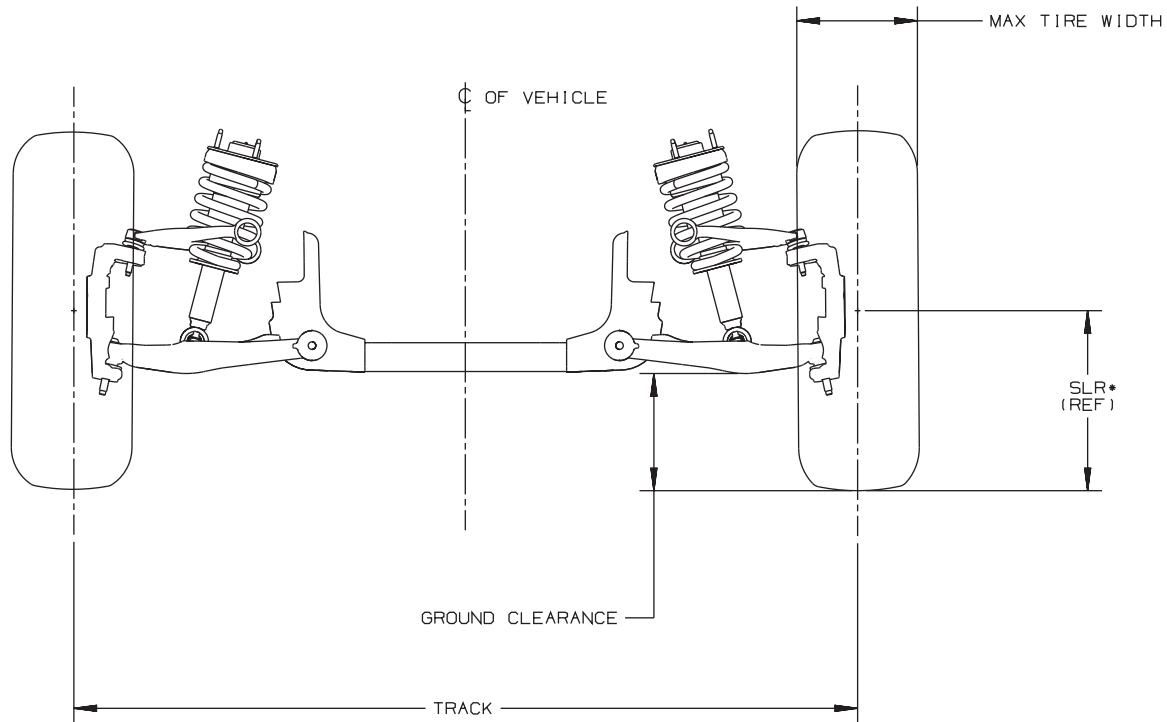
MODEL	ϕ REAR AXLE	DIM "A"
C/K 109/209 36	4302	942.0
C/K XXX/XXX XX	XXXX	XXX.X

GMT900 C/K 100 06/36 2008

[] = INCHES

ANB60845.4

Front Axle/Tire Data Drawing – C/K10 (706/906)



- VYU = SNOW PLOW
- Z83 = CHASSIS PACKAGE SOLID SMOOTH RIDE
- Z85 = CHASSIS PACKAGE INCREASED CAPACITY
- E63 = BODY EQUIPMENT FLEETSIDE PICKUP BOX
- Z71 = CHASSIS PACKAGE OFF ROAD
- ZW7 = CHASSIS PACKAGE PREMIUM SMOOTH RIDE

*MINIMUM GROUND CLEARANCE TO BE
CALCULATED BY USING GROSS
AXLE WEIGHT AND RECOMMENDED TIRE PRESURE

GMT900 UTILITIES 1000 SERIES/TRUCK 1000 SERIES FRONT AXLE/TIRE DATA (2007)

1 1/2 INCHES

ANB46140.13

FULL SIZE C/K UTILITIES

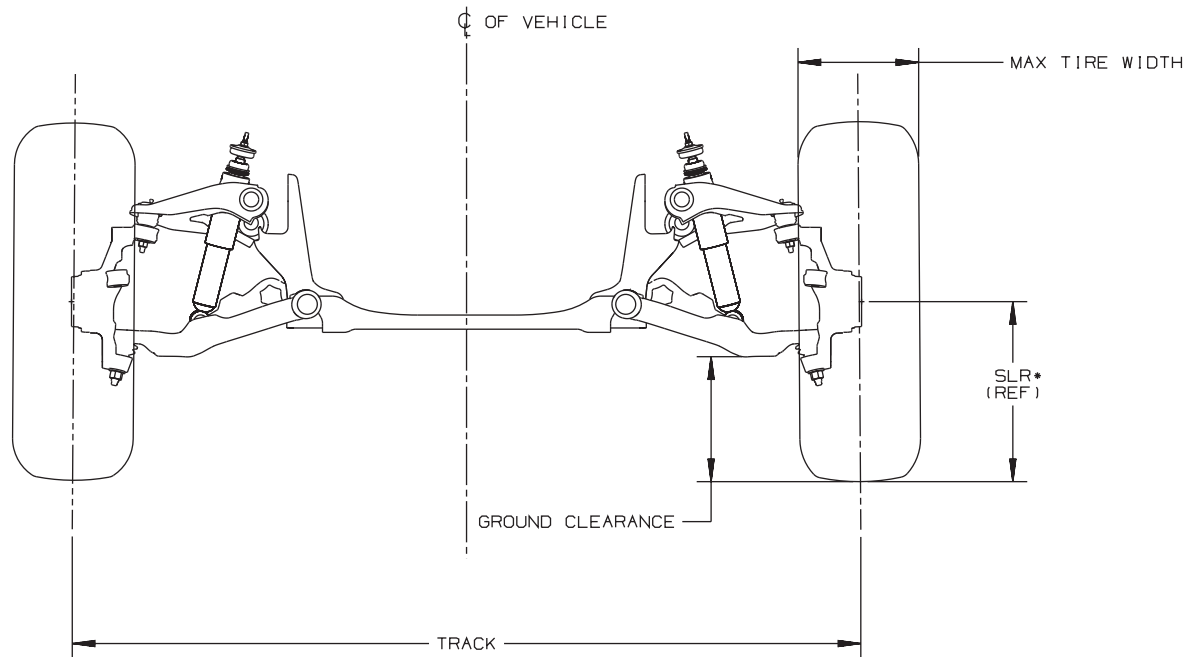
Front Axle/Tire Data Drawing – C/K10 (706/906)

SERIES	OPT	SLR	TIRES	GVW RATING	REAR WHEEL	TRACK	WHEEL OFFSET	MAX TIRE WIDTH	GROUND CLEARANCE
K10706	ZW7/Z55/Z56/Z71	366	P265/65R18	7100	SINGLE	1725.6	28.0	286.0	210.2
C10706	ZW7/Z55/Z56/Z71	368	P265/65R18	7000	SINGLE	1725.6	28.0	286.0	211.8
K10706	ZW7/Z55/Z56/Z71	368	P265/65R18	7300	SINGLE	1725.6	28.0	286.0	213.0
CK10706	ZW7/Z55/Z56/Z71	371	P265/65R18	7100	SINGLE	1725.6	28.0	286.0	223.0
K10706	ZW7/Z55/Z56/Z71	365	P265/70R17	7300	SINGLE	1725.6	28.0	281.0	206.0
CK10706	ZW7/Z55/Z56/Z71	368	P265/70R17	7100	SINGLE	1725.6	28.0	281.0	206.5
CK10706	ZW7/Z55/Z56/Z71	376	P275/55R20	7100	SINGLE	1725.6	28.0	298.0	216.5
K10706	ZW7/Z55/Z56/Z71	373	P275/55R20	7300	SINGLE	1725.6	28.0	298.0	214.4
CK10706	ZW7/Z55/Z56/Z71	376	P275/55R20	7100	SINGLE	1725.6	28.0	298.0	214.6
K10706	ZW7/Z55/Z56/Z71	373	P275/55R20	7300	SINGLE	1725.6	28.0	298.0	213.7
CK10706	ZW7/Z55/Z56/Z71	379	P285/45R22	7000	SINGLE	1725.6	28.0	294.0	222.2
K10906	ZW7/Z55/Z56/Z71	376	P285/45R22	7400	SINGLE	1725.6	28.0	294.0	220.5
K10906	ZW7/Z55/Z56/Z71	373	P275/55R20	7400	SINGLE	1725.6	28.0	298.0	213.3
C10906	ZW7/Z55/Z56/Z71	375	P275/55R20	7200	SINGLE	1725.6	28.0	298.0	375.4
K10906	ZW7/Z55/Z56/Z71	365	P265/70R17	7400	SINGLE	1725.6	28.0	281.0	201.8
C10906	ZW7/Z55/Z56/Z71	368	P265/70R17	7200	SINGLE	1725.6	28.0	281.0	206.5
K10906	ZW7/Z55/Z56/Z71	365	P265/65R18	7400	SINGLE	1725.6	28.0	286.0	215.4

GMT900 UTILITIES 1000 SERIES FRONT AXLE/TIRE DATA (2007)

METRIC CONVERSION TO INCHES
MM / 25.4 = INCHES

Front Axle/Tire Data Drawing – C/K20 (706/906)



- VYU : SNOW PLOW
- ZW9 : BODY EQUIPMENT BASE BODY OR CHASSIS
- ZB5 : CHASSIS PACKAGE INCREASED CAPACITY
- ZB3 : CHASSIS PACKAGE SMOOTH RIDE
- E63 : BODY EQUIPMENT FLEETSIDE PICKUP BOX
- Z71 : CHASSIS PACKAGE OFF ROAD
- GTY : AXLE WIDE TRACK

*MINIMUM GROUND CLEARANCE TO BE CALCULATED BY USING GROSS AXLE WEIGHT AND RECOMMENDED TIRE PRESURE

GMT900 TRUCKS 2000/3000 SERIES UTILITIES 2000 SERIES FRONT AXLE/TIRE DATA (2007)

[] = 1 INCHES

ANB46140.14

FULL SIZE C/K UTILITIES

Front Axle/Tire Data Drawing – C/K20 (706/906)

SERIES	OPT	SLR	TIRES	GVW RATING	REAR WHEEL	TRACK	WHEEL OFFSET	MAX TIRE WIDTH	GROUND CLEARANCE
CK20906	ZW7/Z55/Z56/Z71	356	LT245/75R16	8600	SINGLE	1742.0	31.0	256.0	188.5

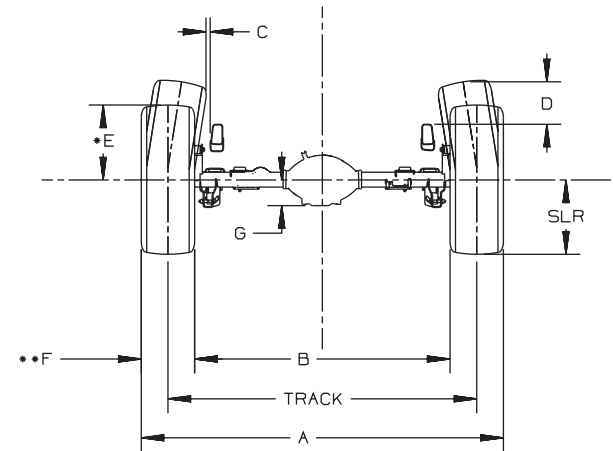
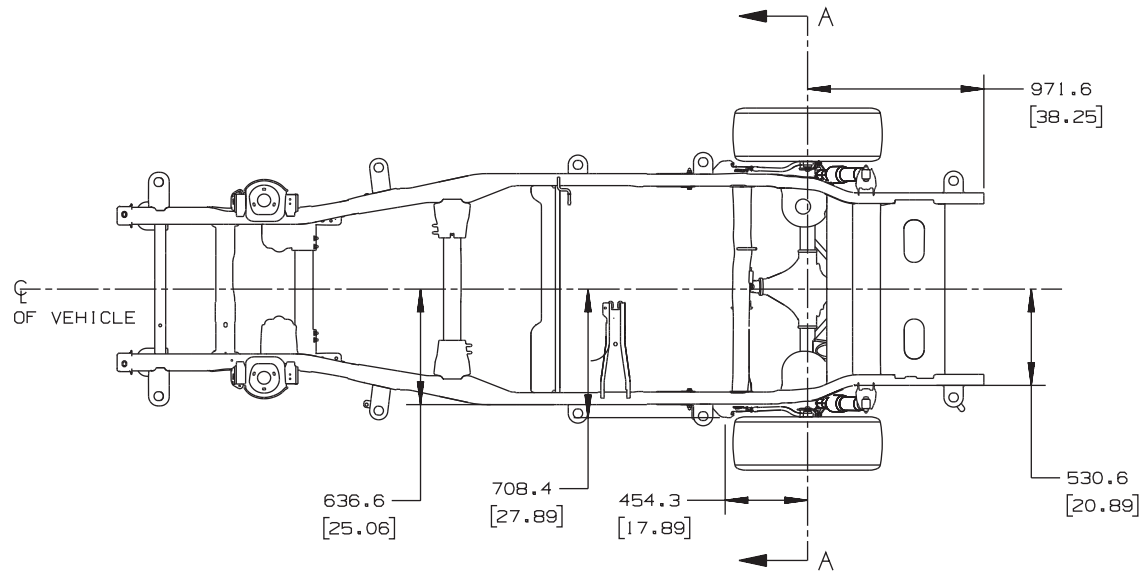
GMT900 UTILITIES 2000 SERIES FRONT AXLE/TIRE DATA (2007)

METRIC CONVERSION TO INCHES
MM / 25.4 = INCHES

ANB46140.16

FULL SIZE C/K UTILITIES

Rear Axle/Tire Data Drawing – C/K 100/200 (06)



SECTION A-A
ROTATED 90

RING GEAR	G
[8.6] DIA	139.0 [5.47]
[9.5] DIA	160.0 [6.30]
[10.5] DIA	184.0 [7.24]

A = TRACK + F
B = TRACK - F

- MAX GROWN TIRE RADIUS ON NARROWEST RIM
 - MAX GROWN TIRE WIDTH ON WIDEST RIM
- TIRE CHAINS NOT INCLUDED

ZW7 = CHASSIS PACKAGE PREMIUM SMOOTH RIDE
Z71 = CHASSIS PACKAGE OFF ROAD
VYU = SNOW PLOW

GMT900 UTILITIES REAR AXLE/TIRE DATA (2007)

[] = INCHES

ANB46140.3

FULL SIZE C/K UTILITIES

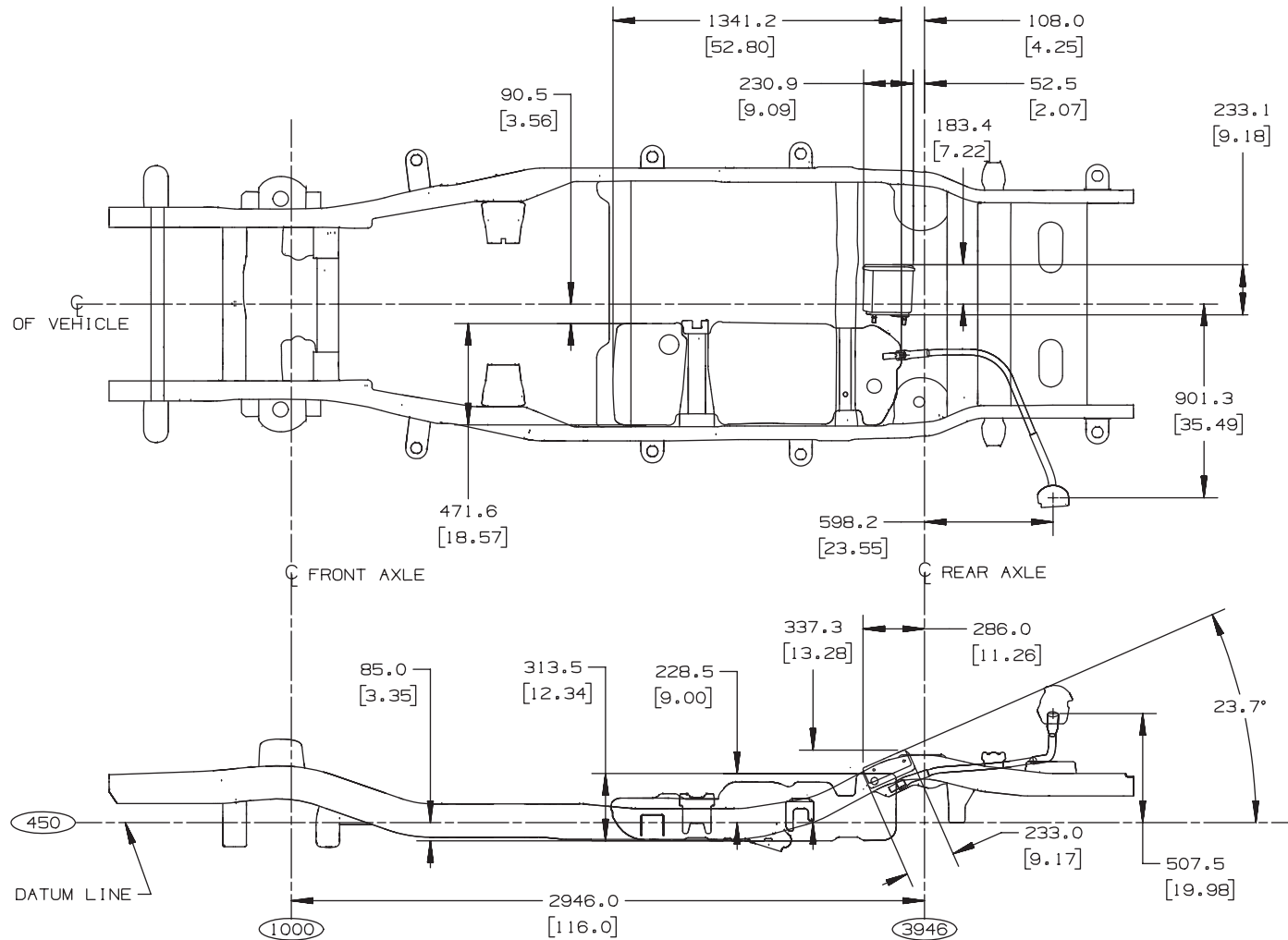
Rear Axle/Tire Data Chart – C/K 100/200 (06)

SERIES	OPT	SLR	TIRES	GVW RATING	REAR WHEEL	TRACK	WHEEL OFFSET	-A-	-B-	-C-	-D-	-E-	-F-
K10706	ZW7/Z55/Z56/Z71	361	P265/65R18	7100	SINGLE	1701.8	28.0	1986.9	1414.9	22.8	265.5	408.5	286.0
C10706	ZW7/Z55/Z56/Z71	361	P265/65R18	7000	SINGLE	1701.8	28.0	1986.9	1414.9	22.8	265.5	408.5	286.0
K10706	ZW7/Z55/Z56/Z71	363	P265/65R18	7300	SINGLE	1701.8	28.0	1986.9	1414.9	22.8	265.5	408.5	286.0
CK10706	ZW7/Z55/Z56/Z71	363	P265/65R18	7100	SINGLE	1701.8	28.0	1986.9	1414.9	22.8	265.5	408.5	286.0
K10706	ZW7/Z55/Z56/Z71	363	P265/70R17	7300	SINGLE	1701.8	28.0	1980.8	1418.8	25.9	264.8	410.0	281.0
CK10706	ZW7/Z55/Z56/Z71	360	P265/70R17	7100	SINGLE	1701.8	28.0	1980.8	1418.8	25.9	264.8	410.0	281.0
CK10706	ZW7/Z55/Z56/Z71	369	P275/55R20	7100	SINGLE	1701.8	28.0	1999.0	1403.0	15.5	269.3	410.0	298.0
K10706	ZW7/Z55/Z56/Z71	369	P275/55R20	7300	SINGLE	1701.8	28.0	1999.0	1403.0	15.5	269.3	410.0	298.0
CK10706	ZW7/Z55/Z56/Z71	369	P275/55R20	7100	SINGLE	1701.8	28.0	1999.0	1403.0	15.5	269.3	410.0	298.0
K10706	ZW7/Z55/Z56/Z71	369	P275/55R20	7300	SINGLE	1701.8	28.0	1999.0	1403.0	15.5	269.3	410.0	298.0
CK10706	ZW7/Z55/Z56/Z71	373	P285/45R22	7000	SINGLE	1701.8	28.0	1995.8	1407.8	15.9	264.3	413.9	294.0
K10906	ZW7/Z55/Z56/Z71	372	P285/45R22	7400	SINGLE	1701.8	28.0	1995.8	1407.8	15.9	264.3	413.9	294.0
K10906	ZW7/Z55/Z56/Z71	368	P275/55R20	7400	SINGLE	1701.8	28.0	1999.0	1403.0	15.5	269.3	410.0	298.0
C10906	ZW7/Z55/Z56/Z71	369	P275/55R20	7200	SINGLE	1701.8	28.0	1999.0	1403.0	15.5	269.3	410.0	298.0
K10906	ZW7/Z55/Z56/Z71	360	P265/70R17	7400	SINGLE	1701.8	28.0	1908.8	1418.8	25.9	264.8	410.0	281.0
C10906	ZW7/Z55/Z56/Z71	360	P265/70R17	7200	SINGLE	1701.8	28.0	1908.8	1418.8	25.9	264.8	410.0	281.0
K10906	ZW7/Z55/Z56/Z71	360	P265/65R18	7400	SINGLE	1701.8	28.0	1986.9	1414.9	22.8	265.5	408.5	286.0
CK20906	ZW7/Z55/Z56/Z71	355	LT245/75R16	8600	SINGLE	1701.8	31.0	1957.8	1445.8	116.5	240.8	393.8	256.0

GMT900 UTILITIES REAR AXLE/TIRE DATA (2007)

METRIC CONVERSION TO INCHES
MM / 25.4 = INCHES

C/K 10706 – Fuel Systems



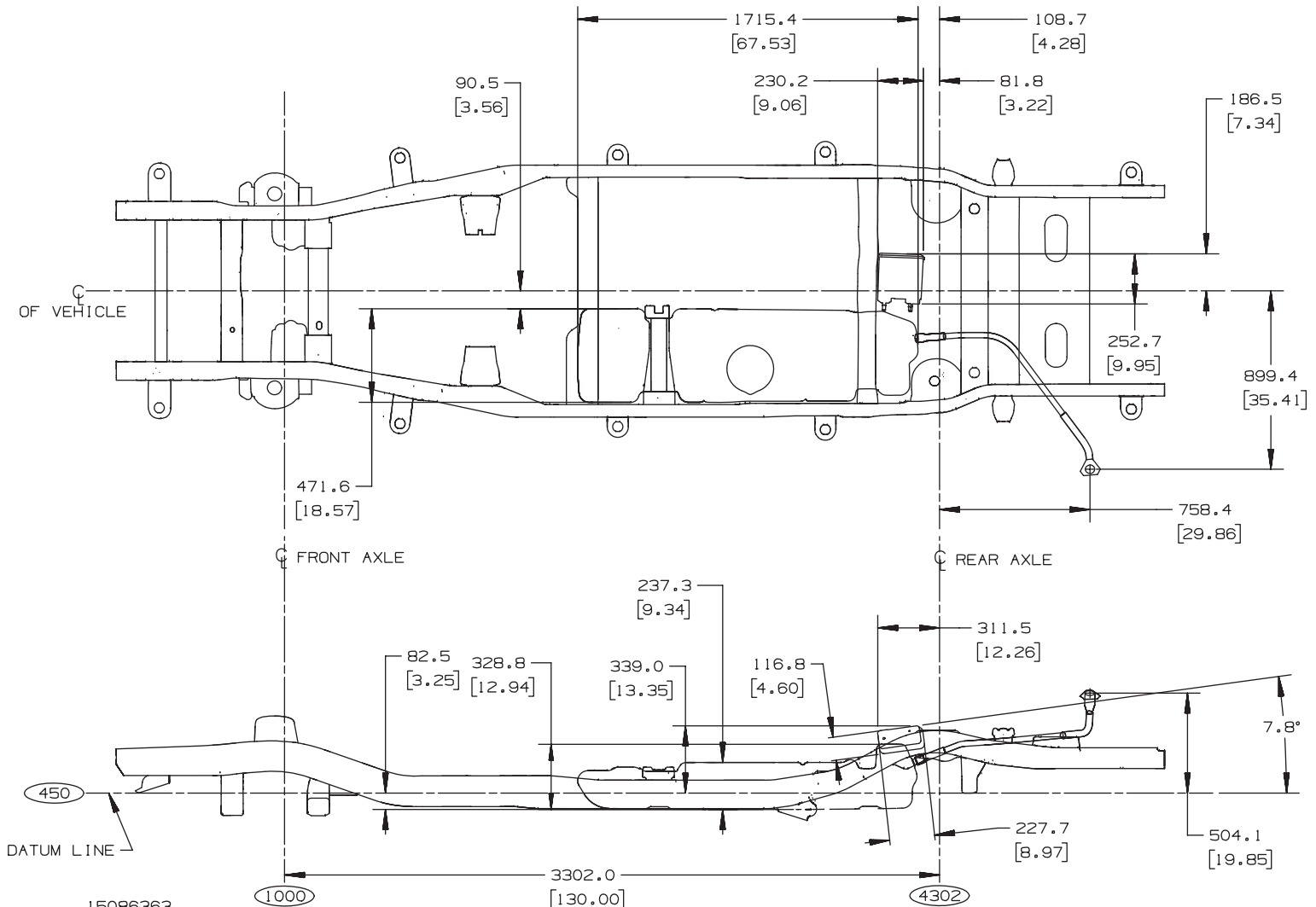
FRAME 10385585
 FUEL TANK 15254554
 FUEL TANK FILPIPE 15124936

GMT900 FUEL TANK CK10706 2007

[] = INCHES

ANB49354.3

C/K 10906/36 – Fuel Systems

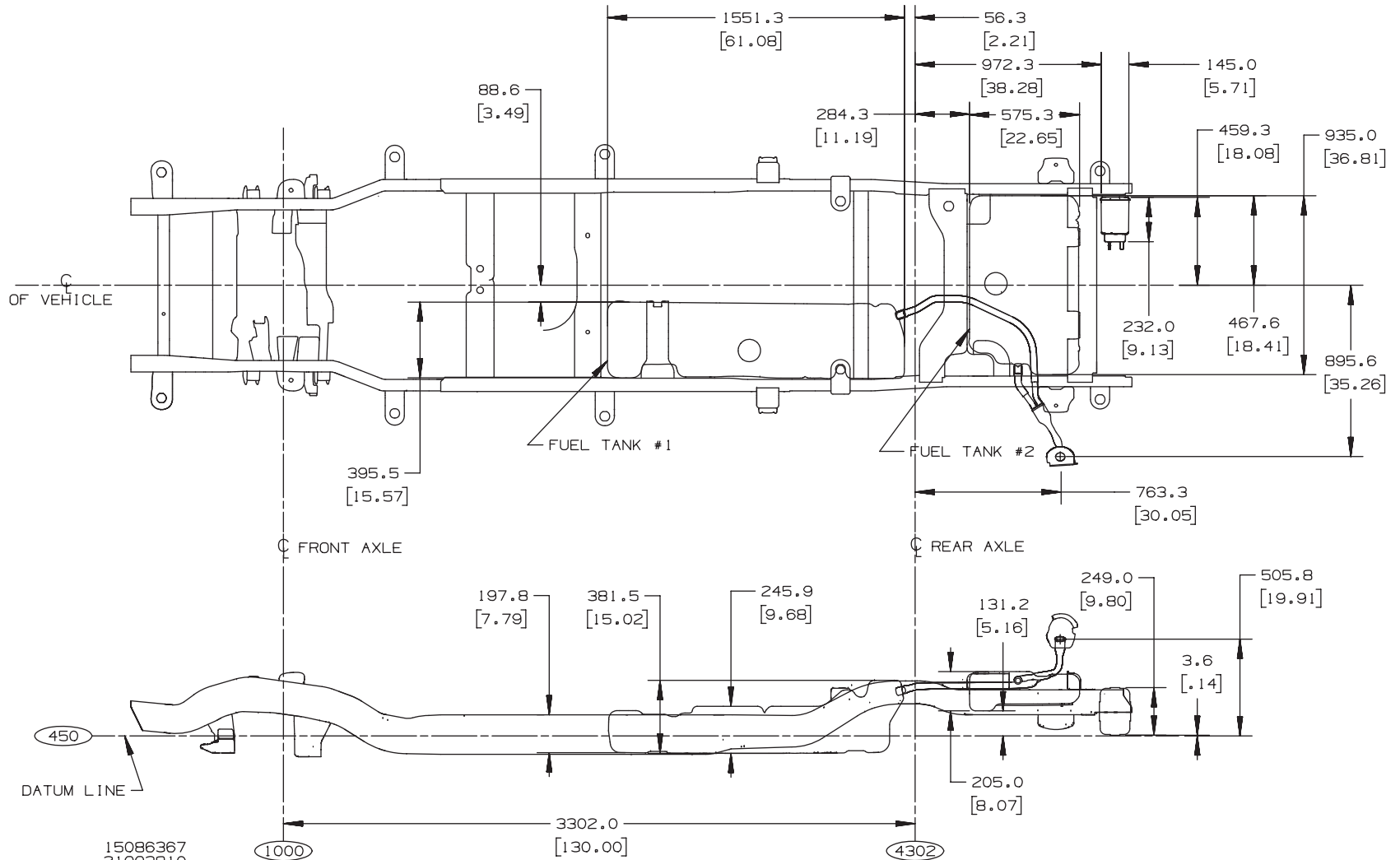


FRAME 15086363
 FUEL TANK 15254556
 FUEL TANK FILPIPE 15124935
 GMT900 FUEL TANK CK10906/36 2007

() = INCHES

ANB49354.4

C/K 20906 – Fuel Systems



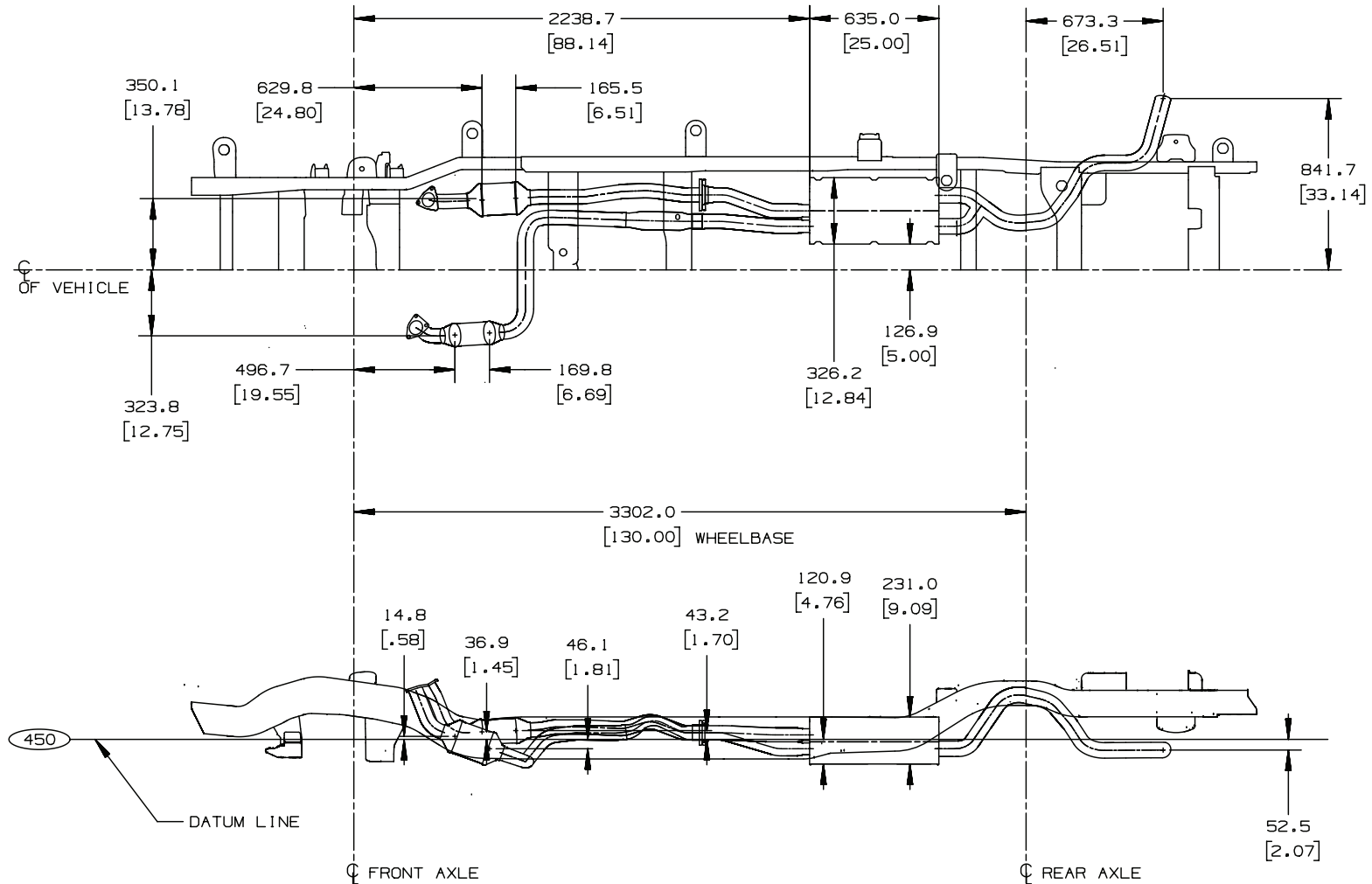
FRAME	15086367
FUEL TANK #1	21993810
FUEL TANK #2	15112169
FUEL TANK FILPIPE	15124937

GMT900 FUEL TANK CK20006 2007

[] = INCHES

ANB49354.5

C/K 20906 w/LY6 (6.0L Iron) – Exhaust Systems



GMT900 EXHAUST SYSTEM CK20906 LY6

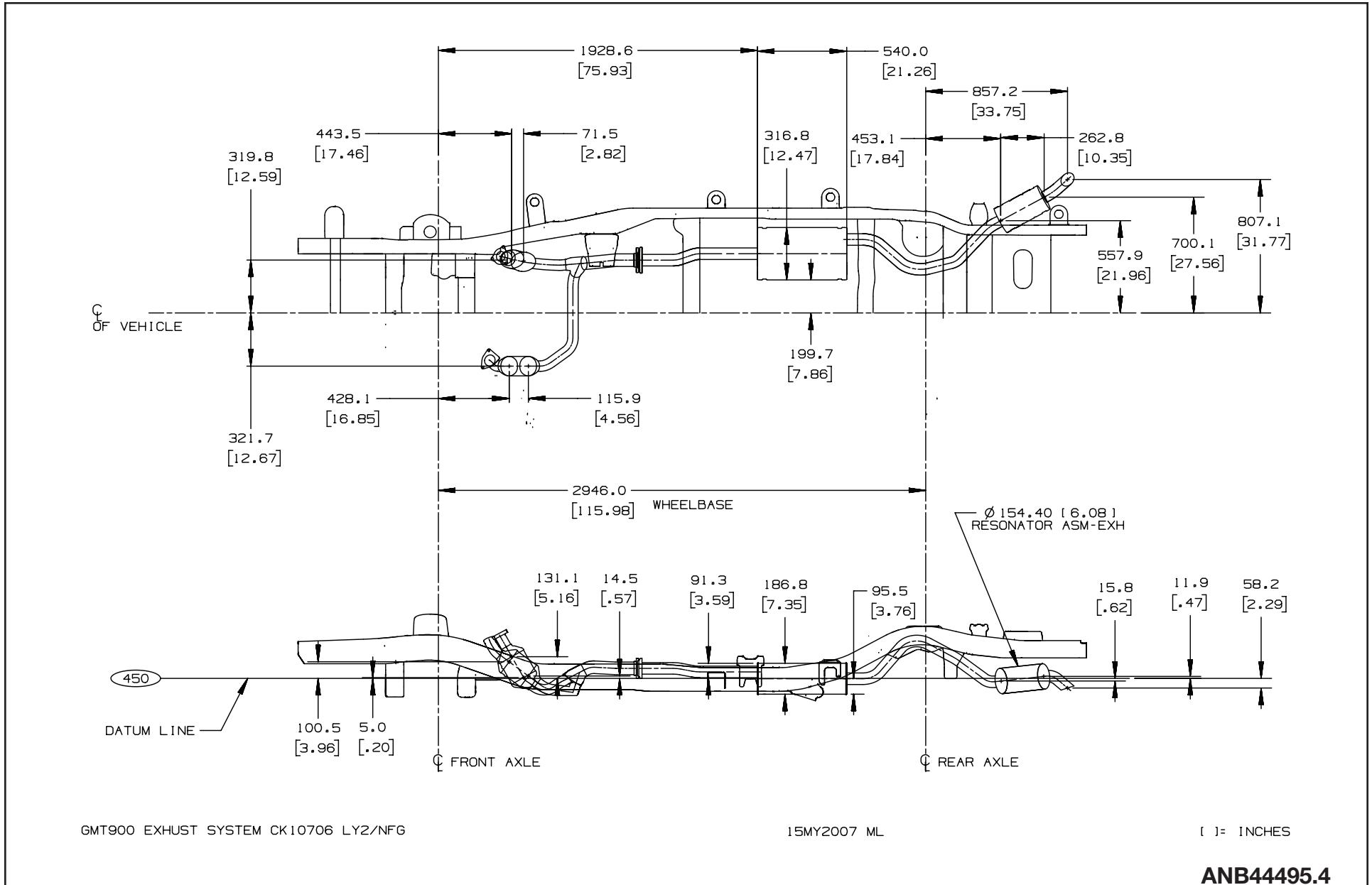
15MY2007 ML

[1]=INCHES

ANB44495.3

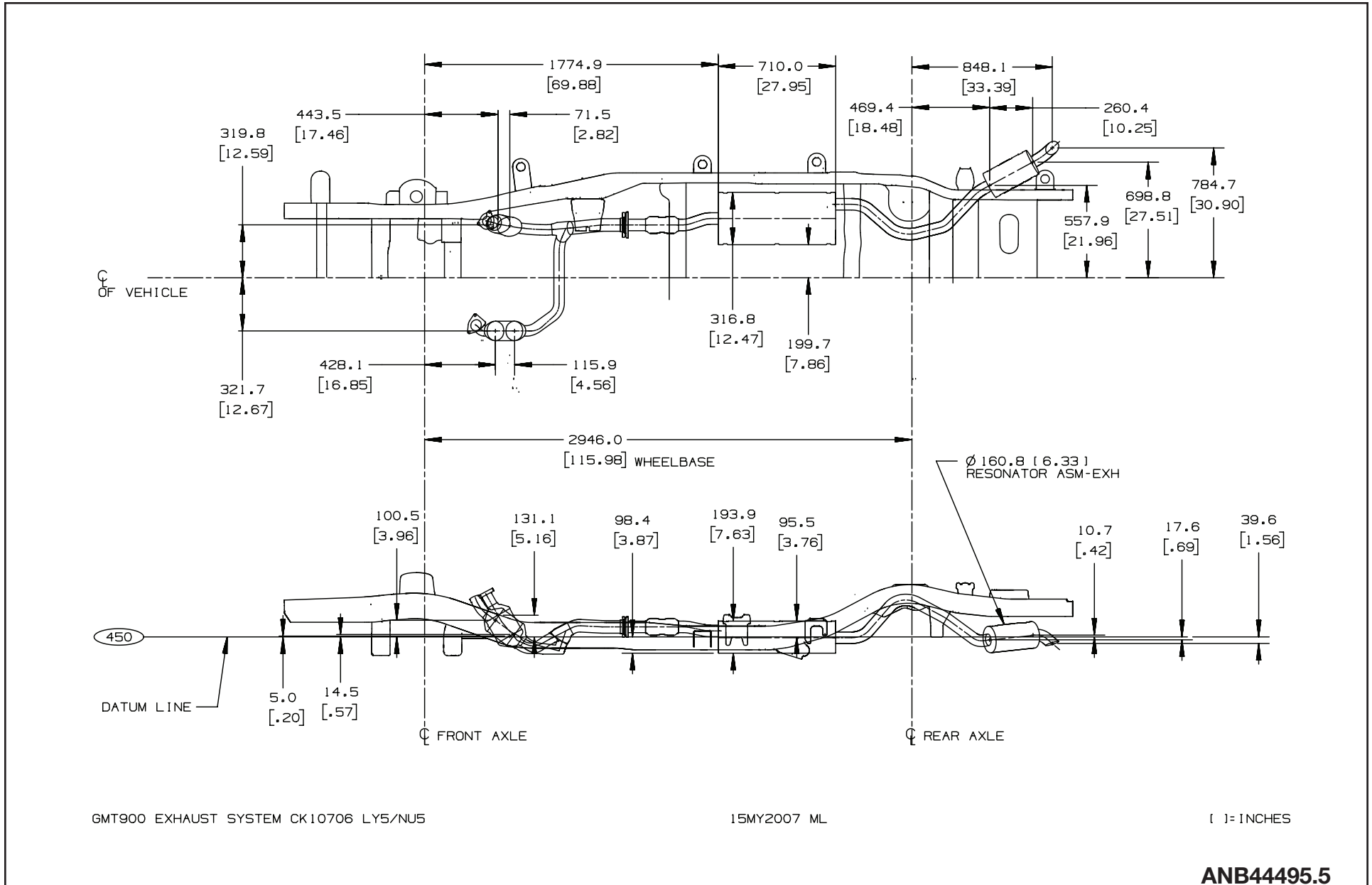
FULL SIZE C/K UTILITIES

C/K 10706 w/LY2 (4.8L Iron) and NF9 – Exhaust Systems



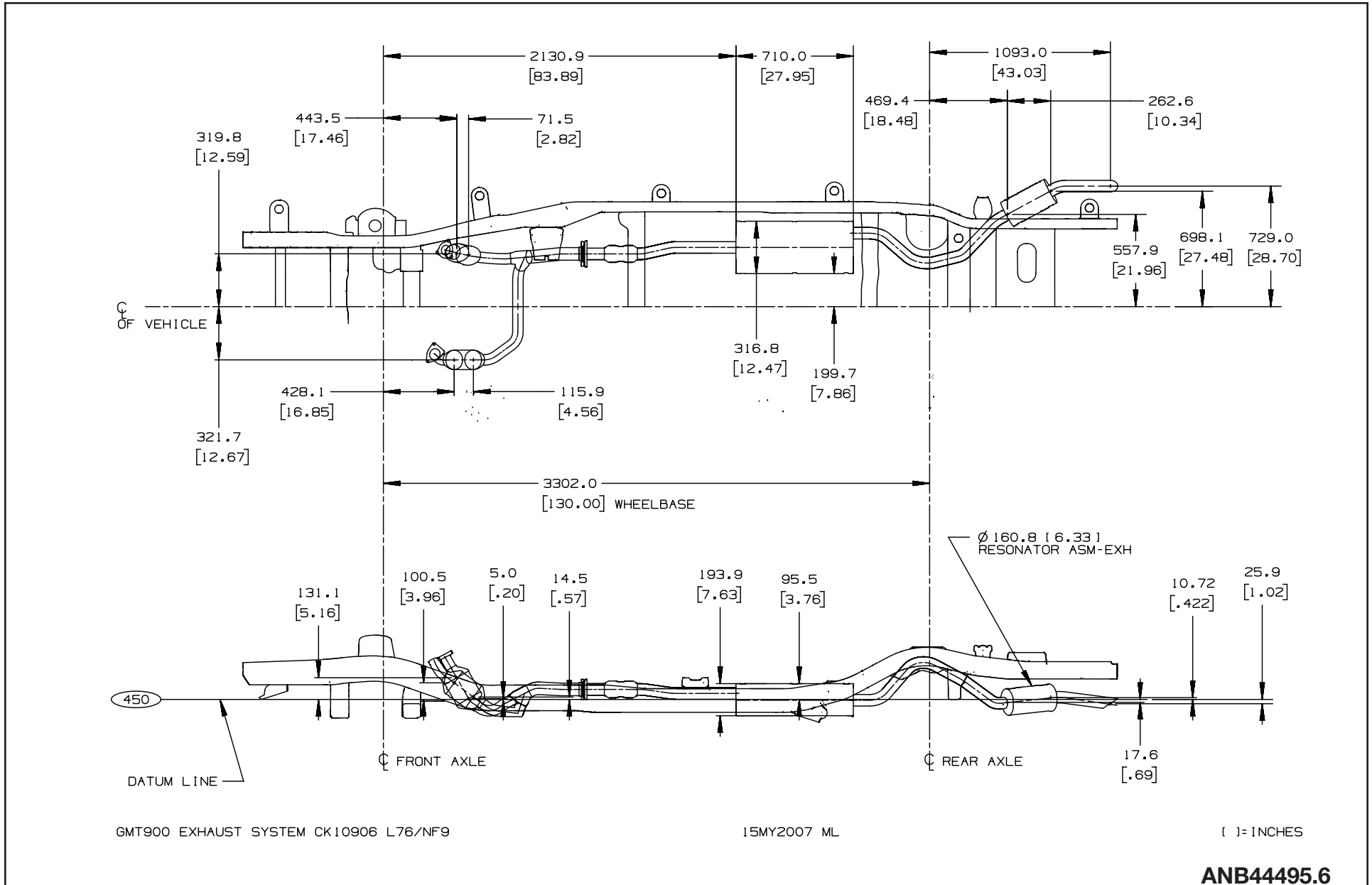
FULL SIZE C/K UTILITIES

C/K 10706 w/LY5 (5.3L Iron) and NU5 – Exhaust Systems



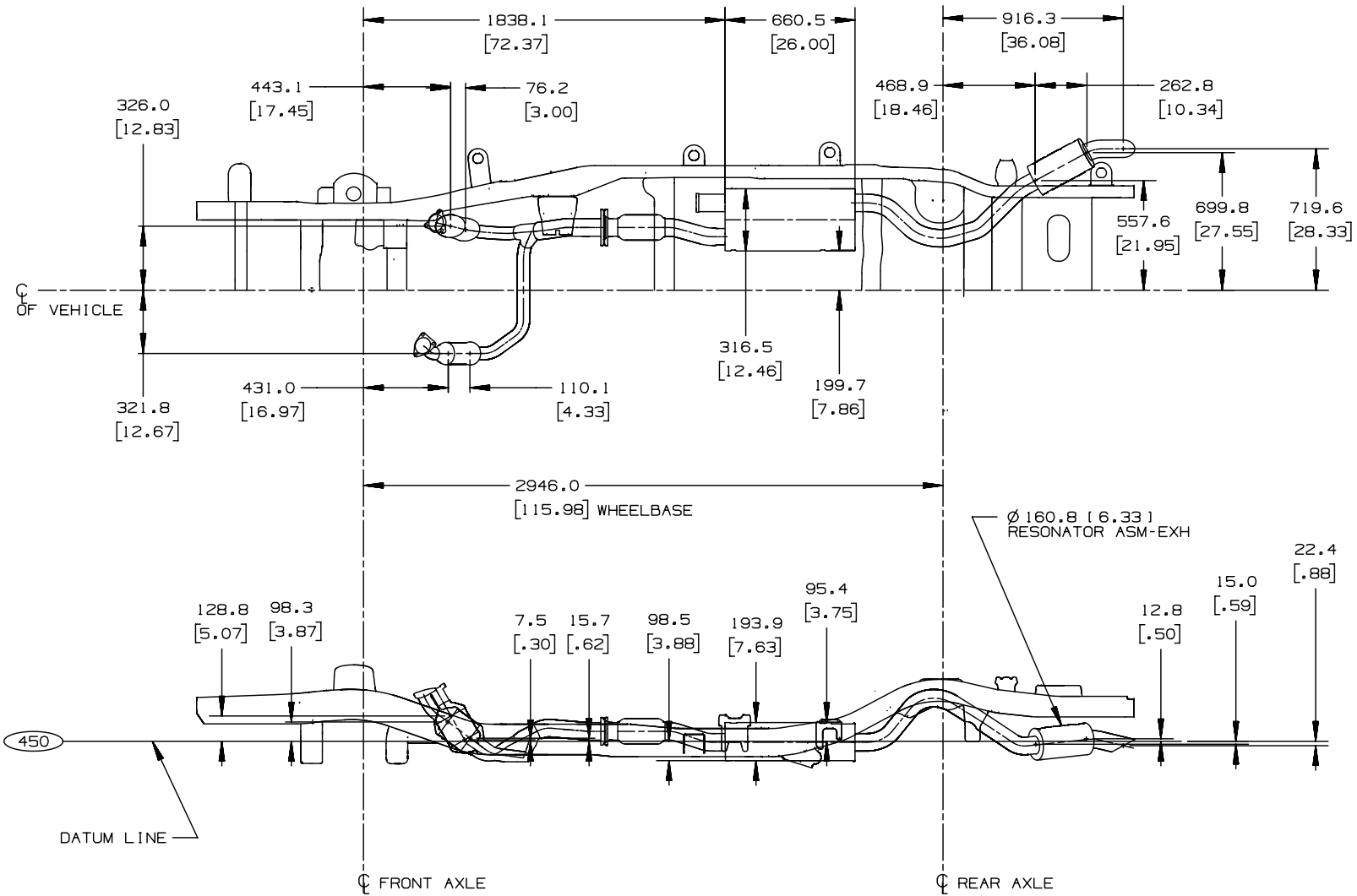
FULL SIZE C/K UTILITIES

C/K 10906 w/L76 (6.0L Alum.) and NF9 – Exhaust Systems



FULL SIZE C/K UTILITIES

C/K 10906 w/L92 (6.2L Alum.) and NF9 – Exhaust Systems



GMT900 EXHAUST SYSTEM CK10706 L92/NF9

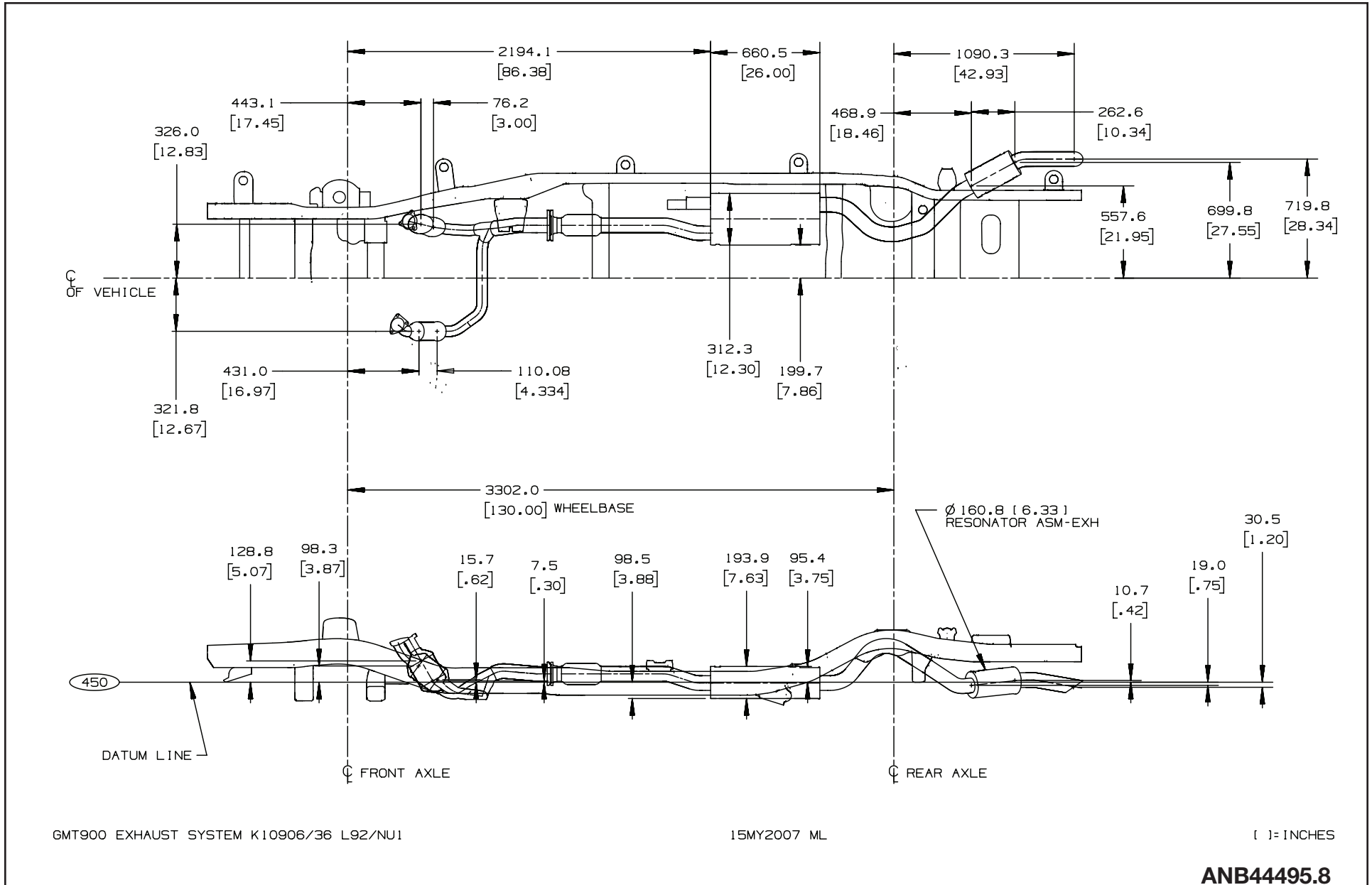
15MY2007 ML

() = INCHES

ANB44495.7

FULL SIZE C/K UTILITIES

C/K 10906/36 w/L92 (6.2L Alum.) and NU1 - Exhaust Systems



ANB44495.8

FULL SIZE C/K UTILITIES

C/K 10906/36 w/LY5 (5.3L Iron) and NU1 – Exhaust Systems

