

# FULL SIZE C/K UTILITIES

Model Symbol Chart .....	1
Snow Plow Prep. Package .....	See Light Duty BBM “Special Applications – Snow Plow Prep Package” section
General Information.....	See Light Duty BBM “General Information” section
Trailer Information .....	See Light Duty Online Order/Ref. Guide – Light Duty “Trailer Specs”
Model and Option Weights .....	See Light Duty Online Order/Ref. Guide “Model & Opt. Weights” & “Weight Calculator”

## VEHICLE

### GENERAL ARRANGEMENT

C/K 10706.....	2
C/K 10906/20906 .....	3
C/K 10936.....	4

## BODY – EXTERIOR

### FRONT END CLIPS

C/K 100/200 (06/36) .....	5
---------------------------	---

### HOOD OPENINGS

C/K 100/200 (06/36) .....	6
---------------------------	---

### HOOD PROFILES

GMC Z88 – C/K 100 (06/36) 20906 .....	7
Chevy X88 – C/K 100 (06/36) 20906 .....	8

### SIGN AREA

C/K10706.....	9
C/K10/20 (906) .....	10

### MIRRORS, OUTSIDE REARVIEW

C/K 100 (06/36) SUV, Options DL3 and DL8 .....	11
C/K 100 (06/36) SUV, Options DPN and DE2 .....	12

### ROOF RACK

Overall Height C/K 000 06/36 .....	13
------------------------------------	----

# ***FULL SIZE C/K UTILITIES***

## **BODY – INTERIOR**

### **SEATING ARRANGEMENT**

Seating Positions and H Points 1st Row Front View, Utilities – C/K 100/200 (06) .....	14
Seating Positions and H Points 2nd Row Front View, Utilities – C/K 100/200 (06) .....	15
Seating Positions and H Points 3rd Row Front View, Utilities – C/K 100/200 (06) .....	16
Seating Positions and H Points Side View, Utilities – C/K 100/200 (06) .....	17

### **SEAT MOUNTING HOLES LOCATIONS – FLOOR**

C/K 10706 1st and 2nd Rows .....	18
C/K 10706 1st and 3rd Rows .....	19
C/K 10/20 (906) 1st, 2nd and 3rd Rows .....	20

## **CHASSIS**

### **DATUM HOLE LOCATION – FRAME**

C/K 100/200 (00) .....	21
------------------------	----

### **FRAME RAIL AND CROSSMEMBER LOCATION**

C/K 10706 .....	22
C/K 109 (06/36) .....	23
C/K 20906 .....	24

SPARE TIRE LOCATION .....	25
---------------------------	----

### **PLATFORM HITCH**

Utilities C/K 100/200 (06) .....	26
Ultimate Utility C/K 10936 .....	27

### **FRONT AXLE/TIRE DATA**

Front Axle/Tire Data Drawing – C/K10 (706/906) .....	28
Front Axle/Tire Data Drawing – C/K10 (706/906) .....	29
Front Axle/Tire Data Drawing – C/K20 (706/906) .....	30
Front Axle/Tire Data Drawing – C/K20 (706/906) .....	31

# FULL SIZE C/K UTILITIES

## CHASSIS – *Continued*

### REAR AXLE/TIRE DATA

Rear Axle/Tire Data Drawing – C/K 100/200 (06).....	32
Rear Axle/Tire Data Chart – C/K 100/200 (06).....	33

### FUEL SYSTEMS

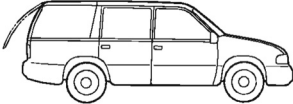

C/K 10706 .....	34
C/K 10906/36 .....	35
C/K 20906 .....	36

### EXHAUST SYSTEMS

C/K 10706 w/LY2 (4.8L V8) .....	37
C/K 107/109 (06) w/LY5, LMG & L9C (5.3L V8) .....	38
C/K 10706 w/LFA (6.0L Hybrid) .....	39
C/K 10906 w/L76 (6.0L V8) .....	40
C/K 20906 w/LY6 (6.0L V8) .....	41
C/K 107/109 (06) w/LH9 (6.2L V8).....	42

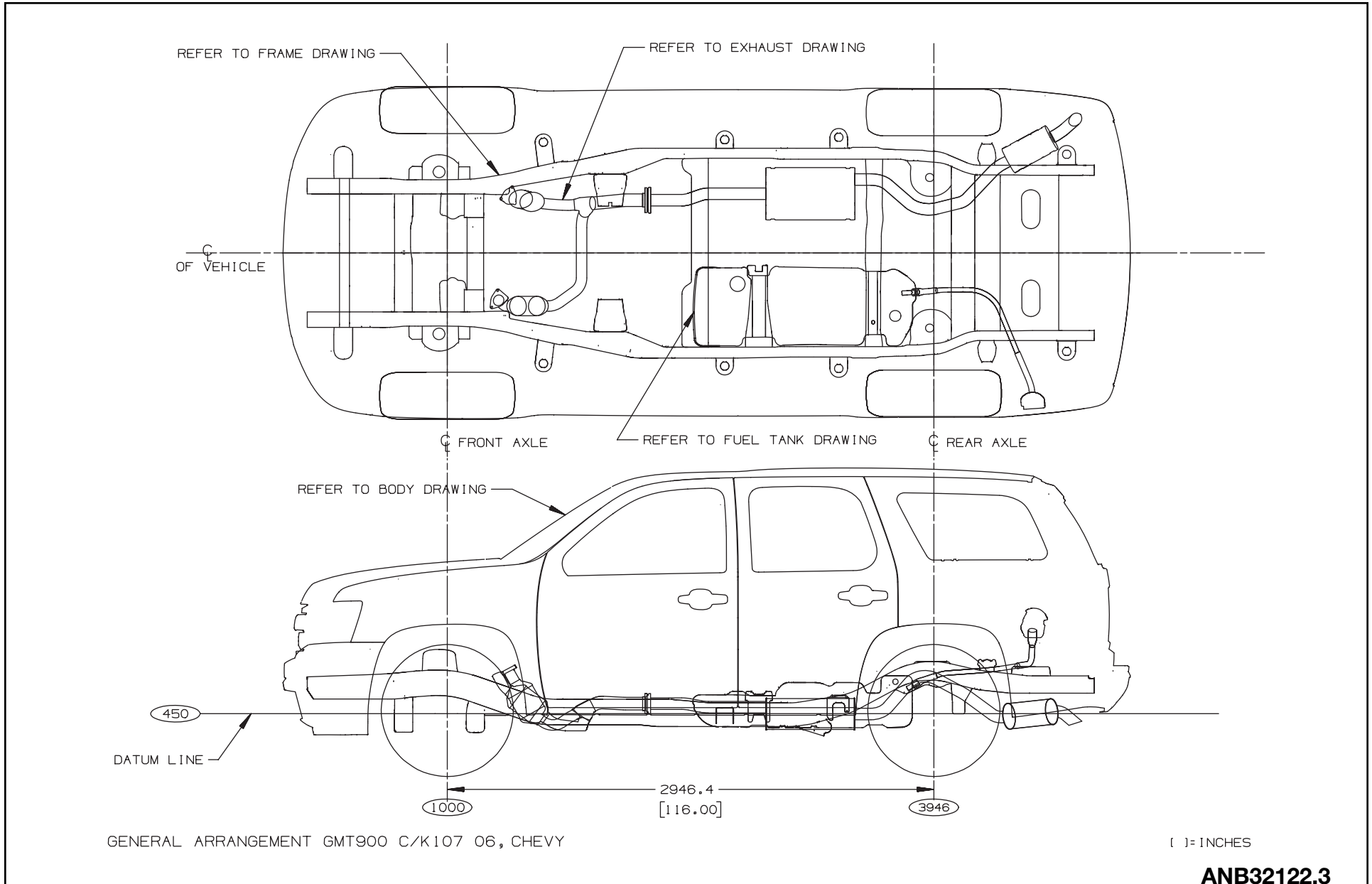
# FULL SIZE C/K UTILITIES

## Model Symbol Chart

						
MARKETS (Optional)	ENGINEERING MODEL	4-DOOR UTILITY WITH REAR LIFTGATE / LIFTGLASS	4-DOOR UTILITY WITH REAR LIFTGATE / LIFTGLASS	GVWR (kg/lbs)	WHEELBASE (mm/in)	CAB-TO-AXLE (mm/in)
All	C107	06 + E52		3220/7100	2946/116.0	
All	C109		06 + E52	3266/7200	3302/130.0	
All	C209		06 + E52	3901/8600	3302/130.0	
US and Canada	C107 (AHSII)	06 + E52		TBD	2946/116.0	
All	K107	06 + E52		3311/7300	2946/116.0	
All	K109		06 + E52	3357/7400	3302/130.0	
All	K209		06 + E52	3901/8600	3302/130.0	

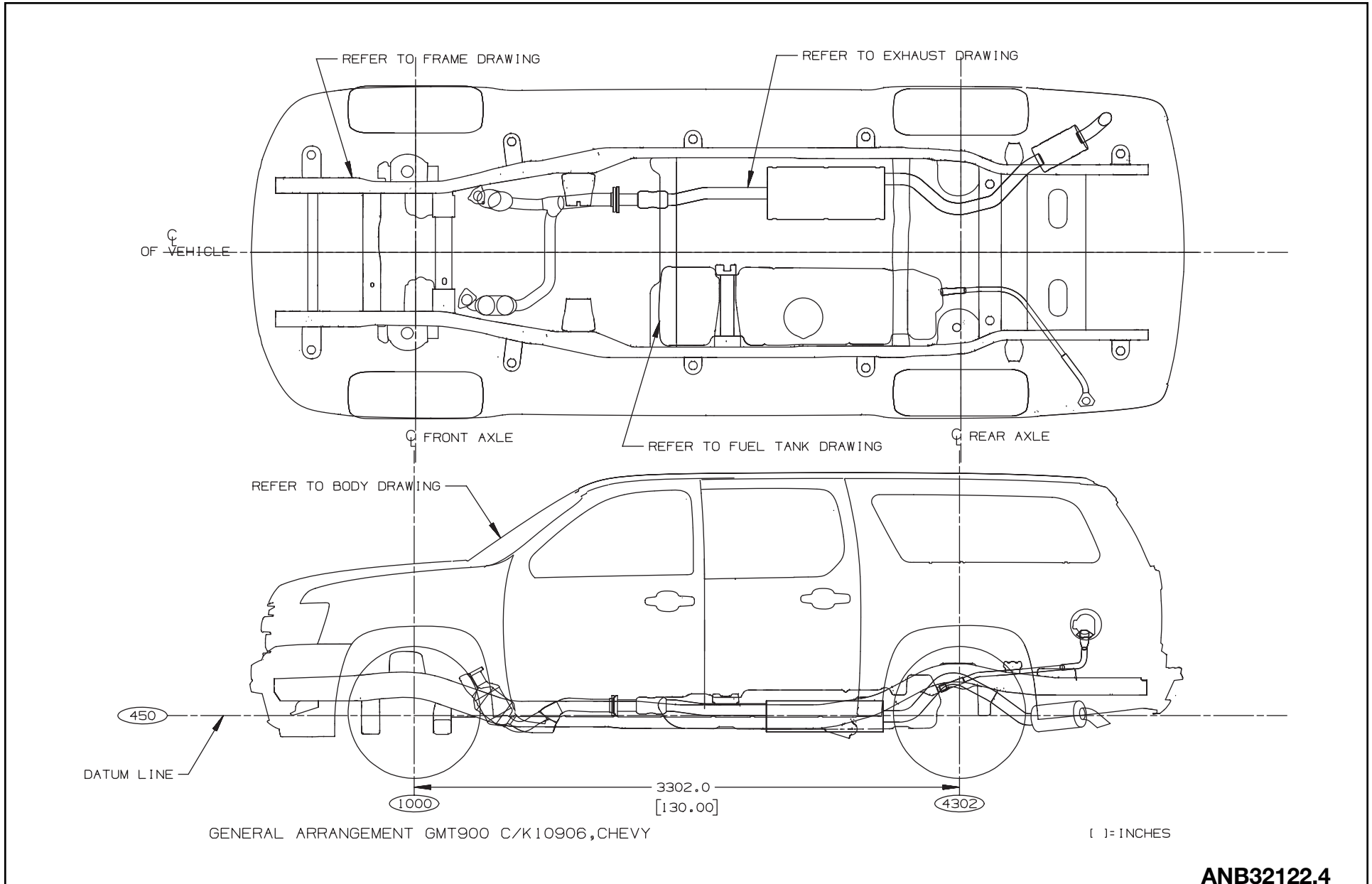
# FULL SIZE C/K UTILITIES

## C/K10706 – General Arrangement



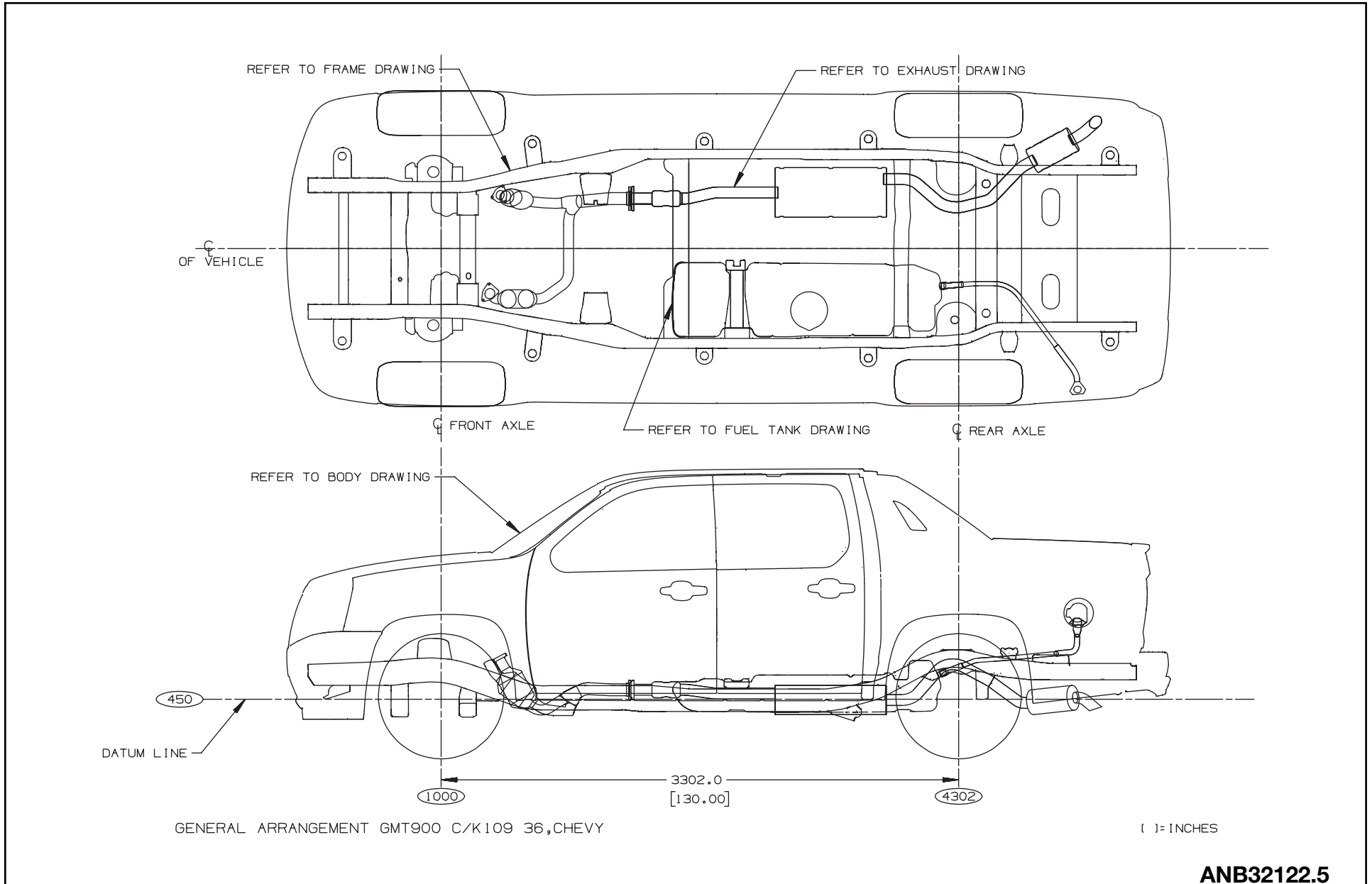
# FULL SIZE C/K UTILITIES

## C/K10906/20906 – General Arrangement



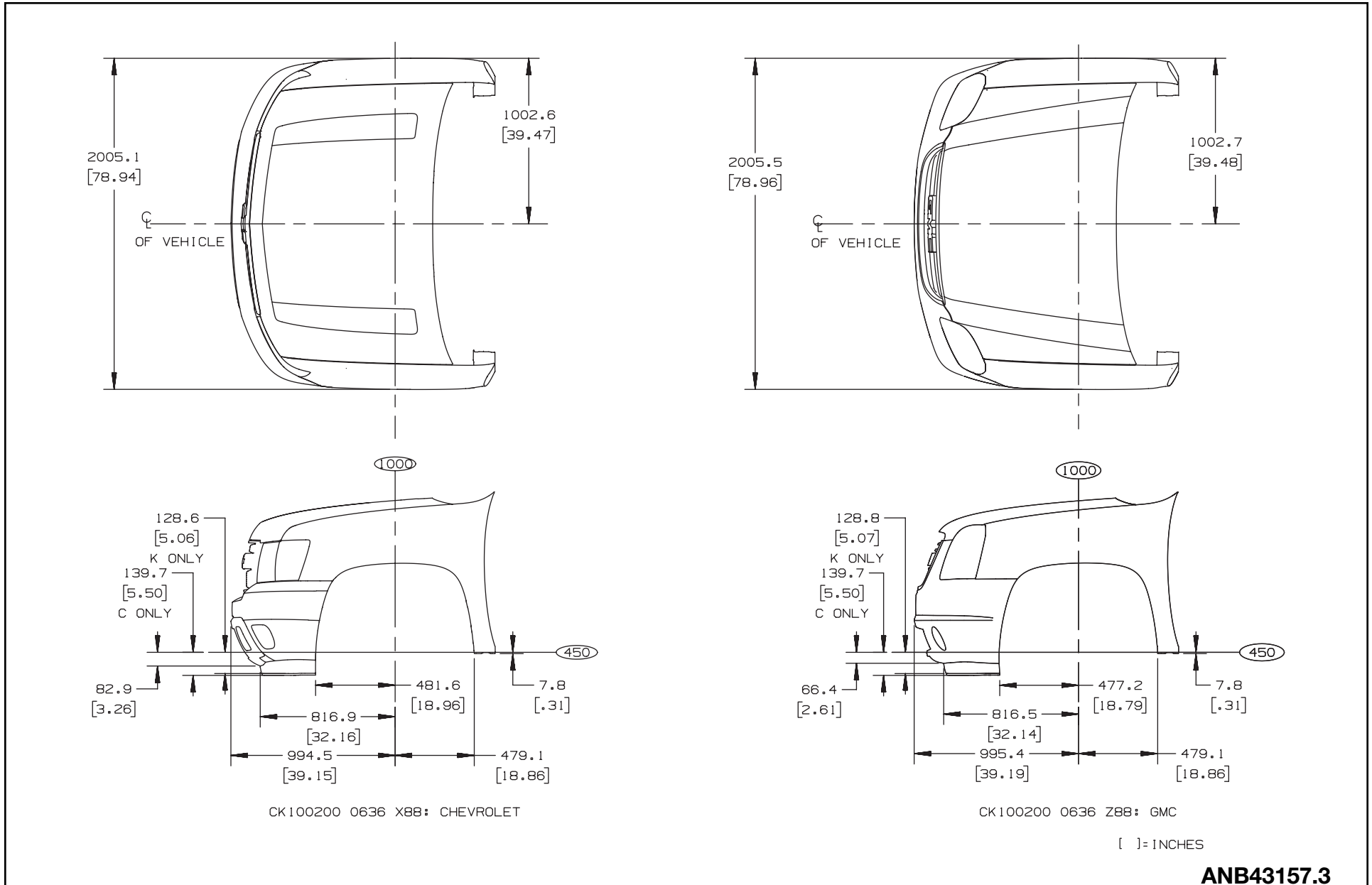
# FULL SIZE C/K UTILITIES

## C/K 10936 - General Arrangement



# FULL SIZE C/K UTILITIES

## C/K 100/200 (06/36) – Front End Clips

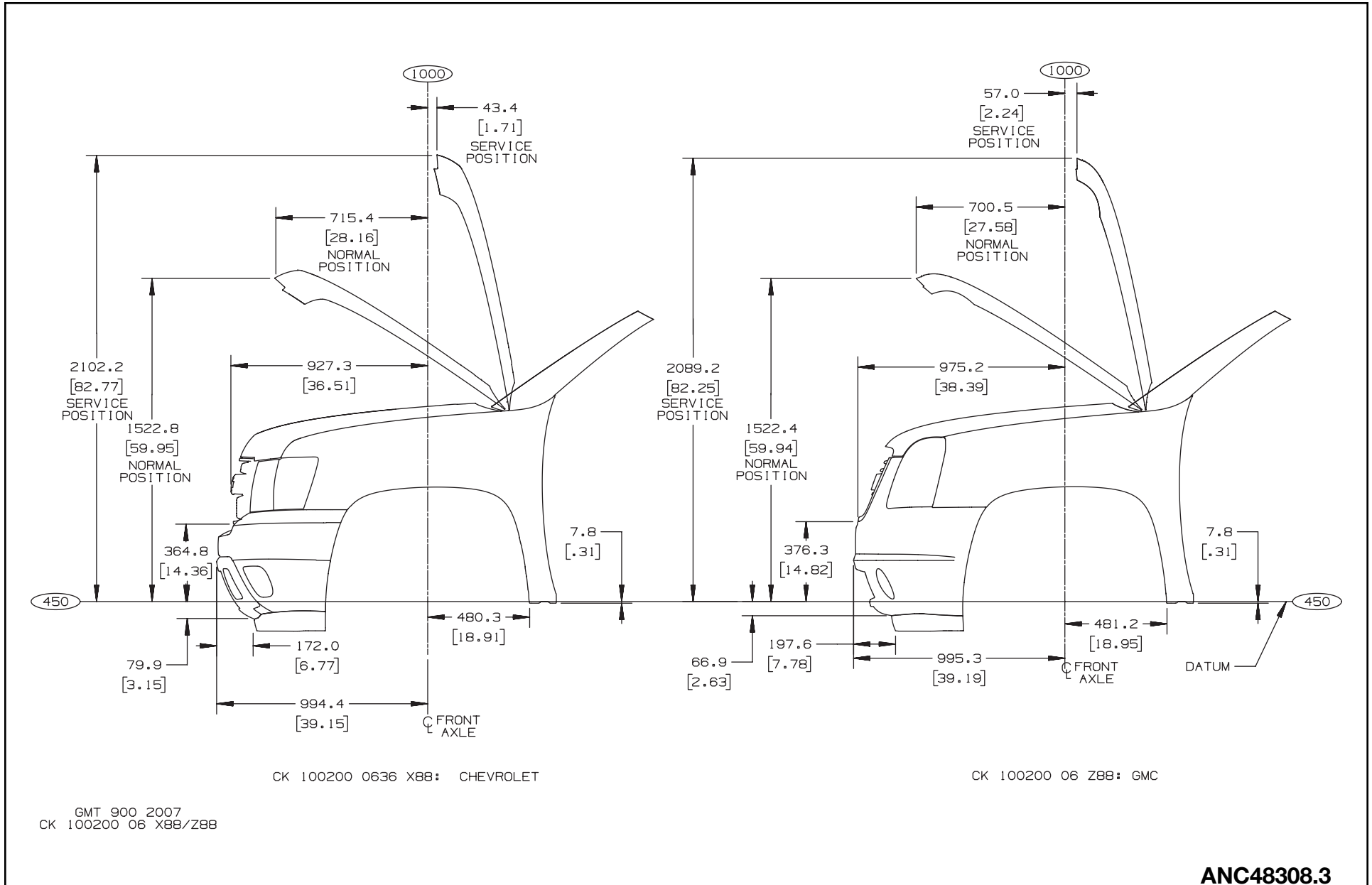


ANB43157.3



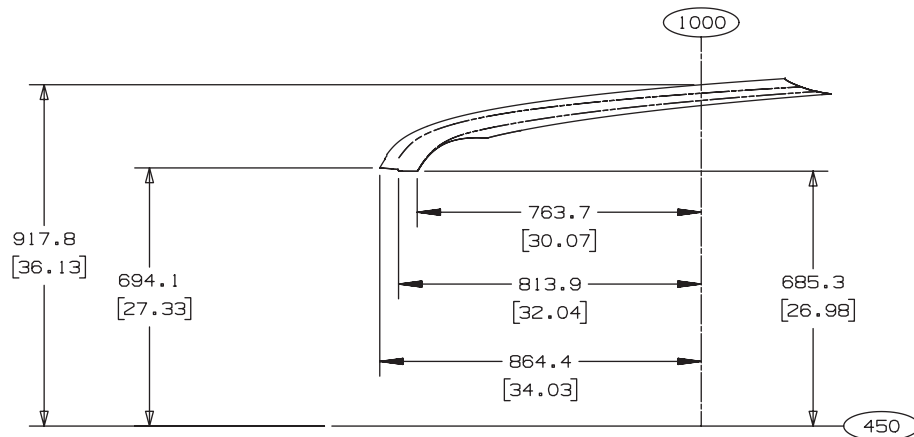
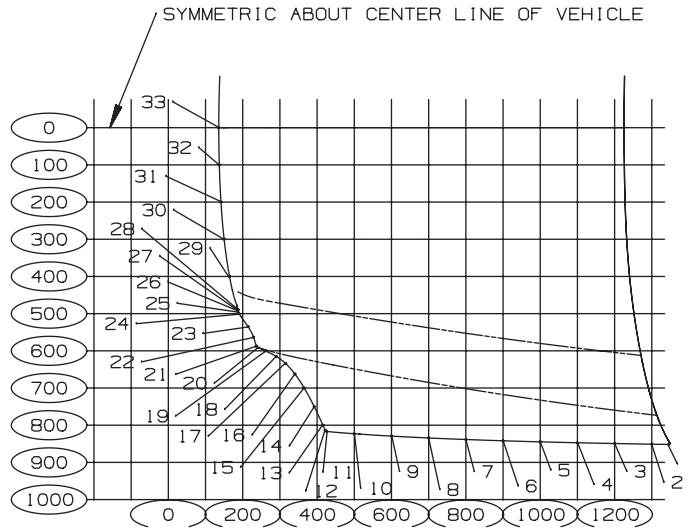
# FULL SIZE C/K UTILITIES

## C/K 100/200 (06/36) – Hood Openings



# FULL SIZE C/K UTILITIES

## GMC Z88 – C/K 100 (06/36) 20906 – Hood Profiles



PT. #	LENGTH	WIDTH
1	1345.4	851.8
2	1300.0	851.0
3	1200.0	849.3
4	1100.0	847.2
5	1000.0	844.7
6	900.0	841.9
7	800.0	838.3
8	700.0	834.3
9	600.0	829.3
10	500.0	823.0
11	426.0	816.9
12	421.9	813.9
13	415.6	800.0
14	392.2	750.0
15	365.4	700.0
16	340.4	662.3
17	315.4	634.1
18	290.4	615.3
19	260.6	600.0
20	239.0	590.9
21	236.3	586.9
22	229.0	563.2
23	214.3	534.7
24	190.3	500.0
25	186.3	493.3
26	186.2	492.2
27	186.9	489.5
28	186.9	488.9
29	164.6	400.0
30	150.0	300.0
31	141.5	200.0
32	137.0	100.0
33	135.6	0.0

DRIVER SIDE COORDINATES

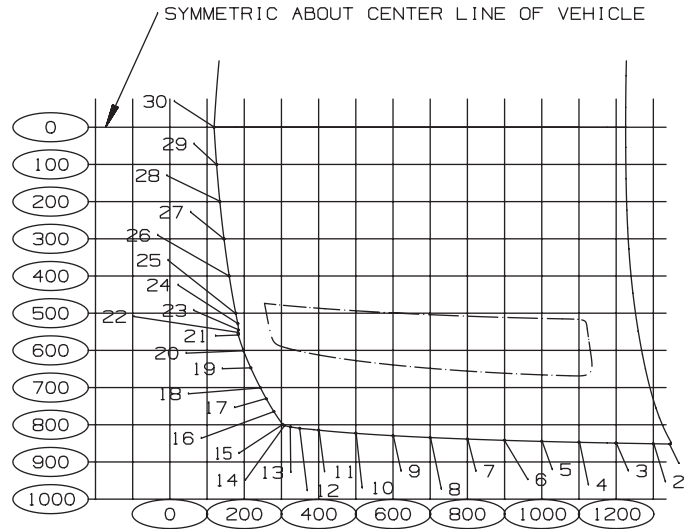
GMT900 HOOD PROFILE Z88 (GMC) 2007 0636

[ ]=INCHES

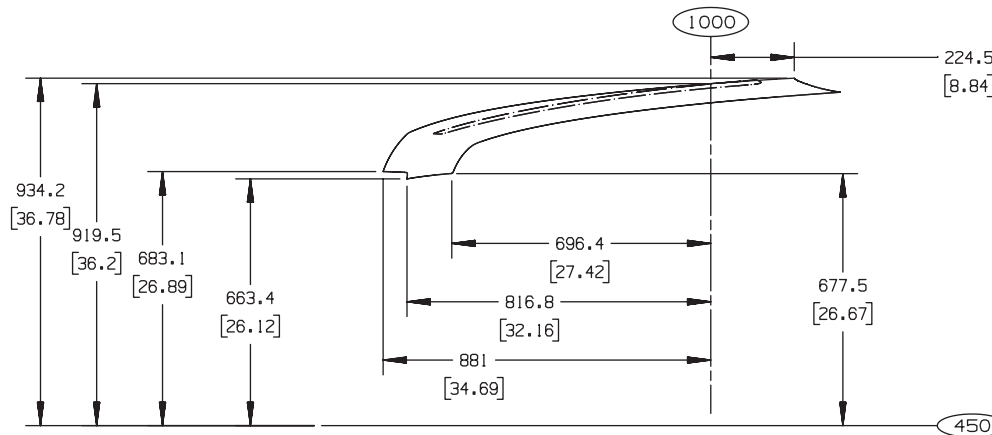
ANB47416.3

# FULL SIZE C/K UTILITIES

## Chevy X88 – C/K 100 (06/36) 20906 – Hood Profiles



PT. #	LENGTH	WIDTH
1	1345.2	851.8
2	1300.0	851.1
3	1200.0	849.3
4	1100.0	847.2
5	1000.0	844.8
6	900.0	841.9
7	800.0	838.5
8	700.0	834.4
9	600.0	829.4
10	500.0	823.1
11	400.0	814.6
12	349.0	809.6
13	324.3	805.7
14	307.0	802.2
15	303.6	799.3
16	279.5	764.3
17	259.3	730.1
18	243.1	700.0
19	217.6	647.2
20	197.7	600.0
21	183.6	557.5
22	183.3	553.3
23	184.3	545.1
24	182.6	527.9
25	177.1	500.0
26	159.6	400.0
27	145.5	300.0
28	134.3	200.0
29	125.6	100.0
30	118.9	0.0



DRIVER SIDE COORDINATES

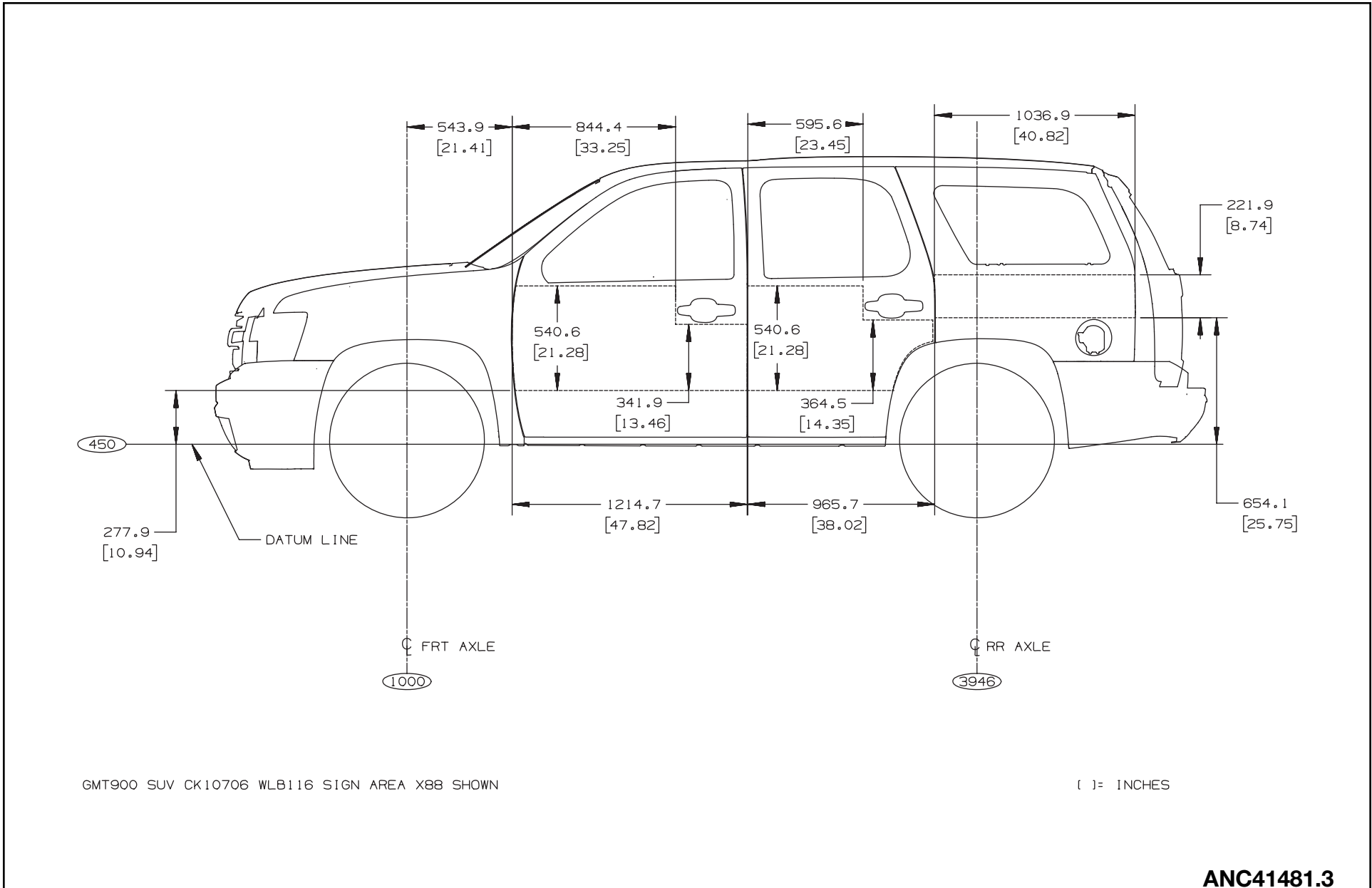
GMT900 HOOD PROFILE X88 (CHEV) 2007 0636

[ ]=INCHES

ANB49774.3

# FULL SIZE C/K UTILITIES

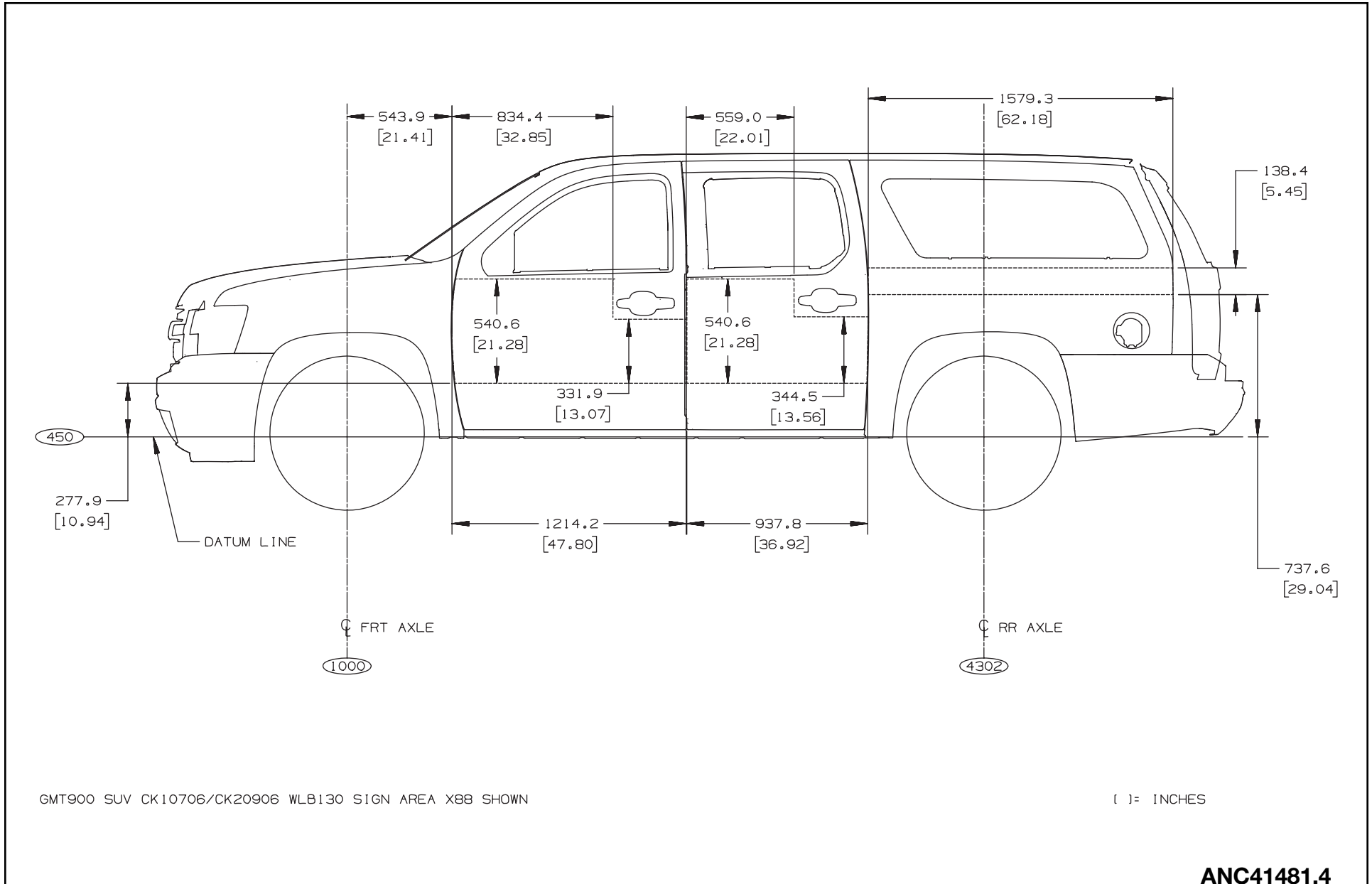
## C/K10706 – Sign Area



ANC41481.3

# FULL SIZE C/K UTILITIES

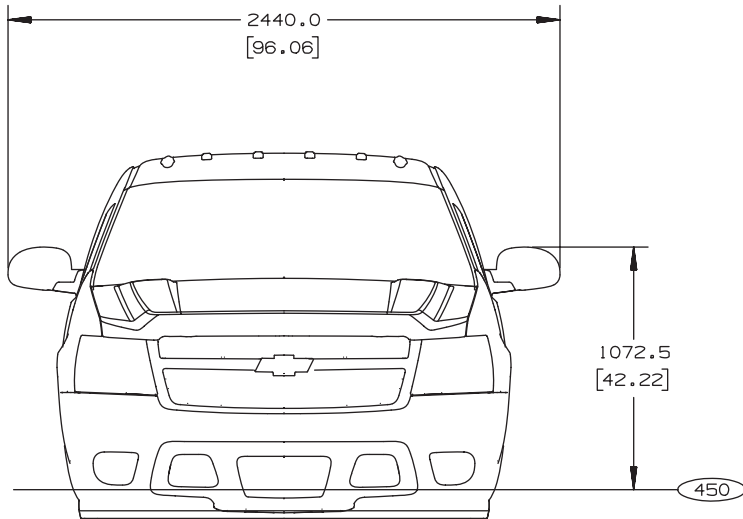
## C/K 10/20 (906) – Sign Area



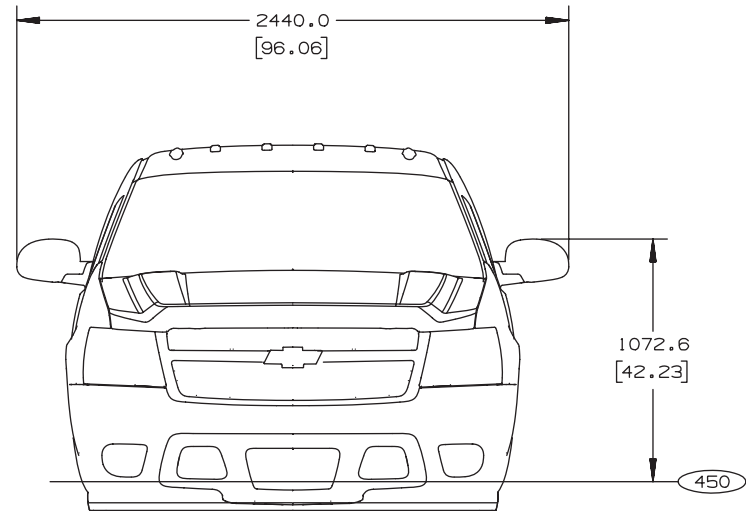
ANC41481.4

# FULL SIZE C/K UTILITIES

## C/K 100 (06/36) SUV, options DL3 and DL8 – Mirrors, Outside Rearview



\*DL3 SUV (TRUCK 1000 SERIES)



\*DL8 SUV ONLY

ALL DIMENSIONS SHOWN FOR CHEVY  
BASE MODEL UNLESS OTHERWISE NOTED

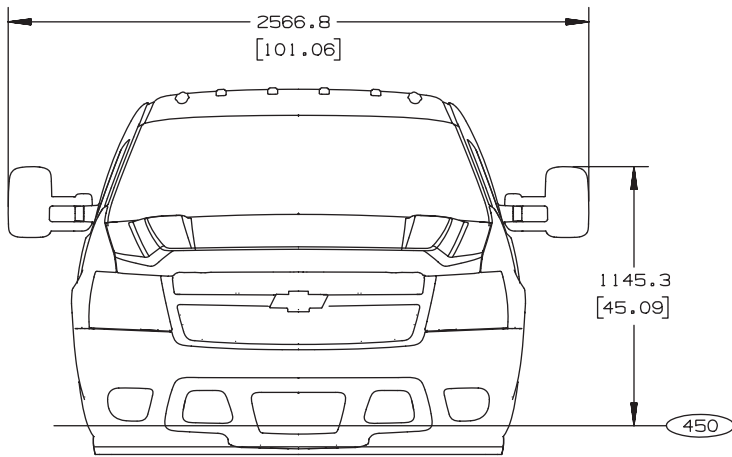
GMT900 SUV 0636 / TRUCK 1000 SERIES

( ) = INCHES

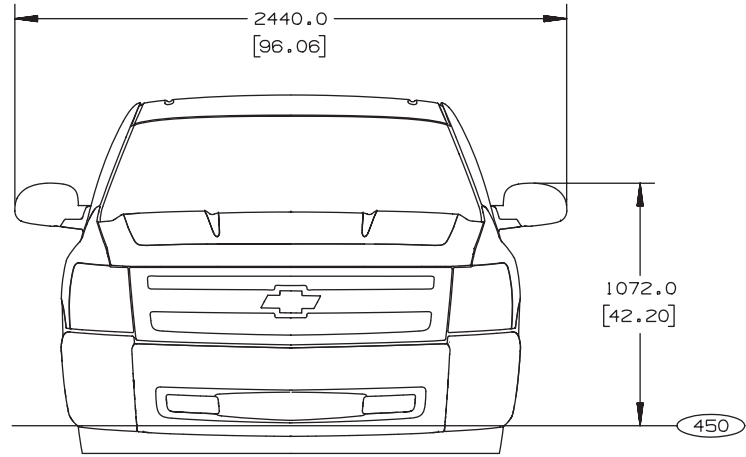
ANC22057.3

# FULL SIZE C/K UTILITIES

## C/K 100 (06/36) SUV, options DPN and DE2 – Mirrors, Outside Rearview



\*DPN SUV (TRUCK 1000 SERIES)



\*DE2 TRUCK 1000 SERIES

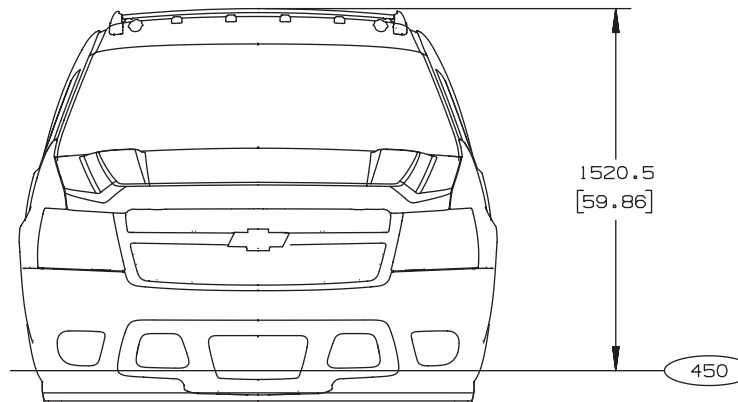
ALL DIMENSIONS SHOWN FOR CHEVY  
BASE MODEL UNLESS OTHERWISE NOTED

GMT900 SUV 0636 / TRUCK 1000 SERIES

( ) = INCHES

ANC22057.4

## Overall Height C/K 000 06/36 – Roof Rack



CHEVY SHOWN / GMC SAME AS CHEVY

GMT900 0636

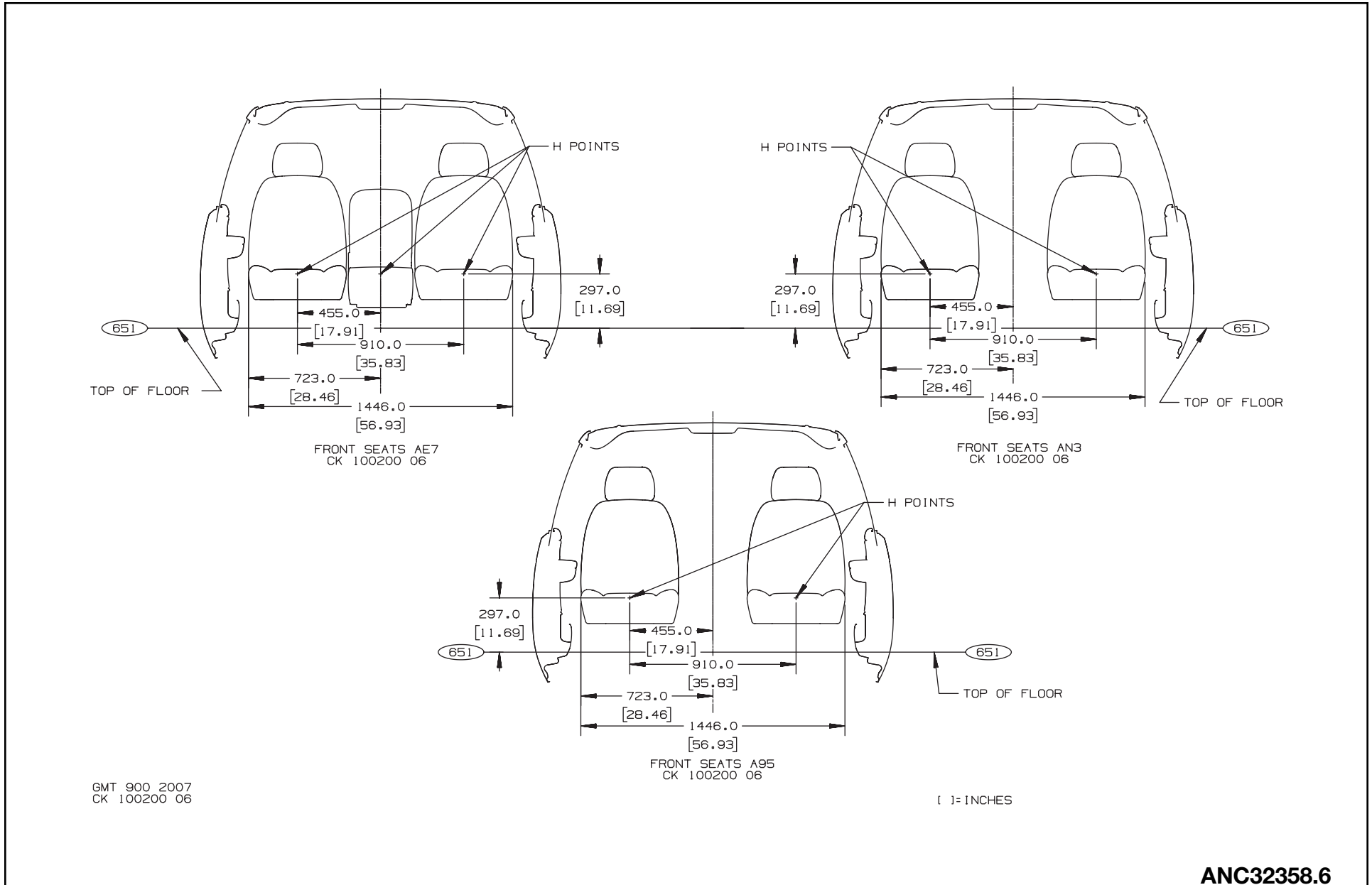
[ ] = INCHES

**ANC24426.3**



# FULL SIZE C/K UTILITIES

## Seating Positions and H Points 1st Row Front View, Utilities – C/K 100/200 (06)



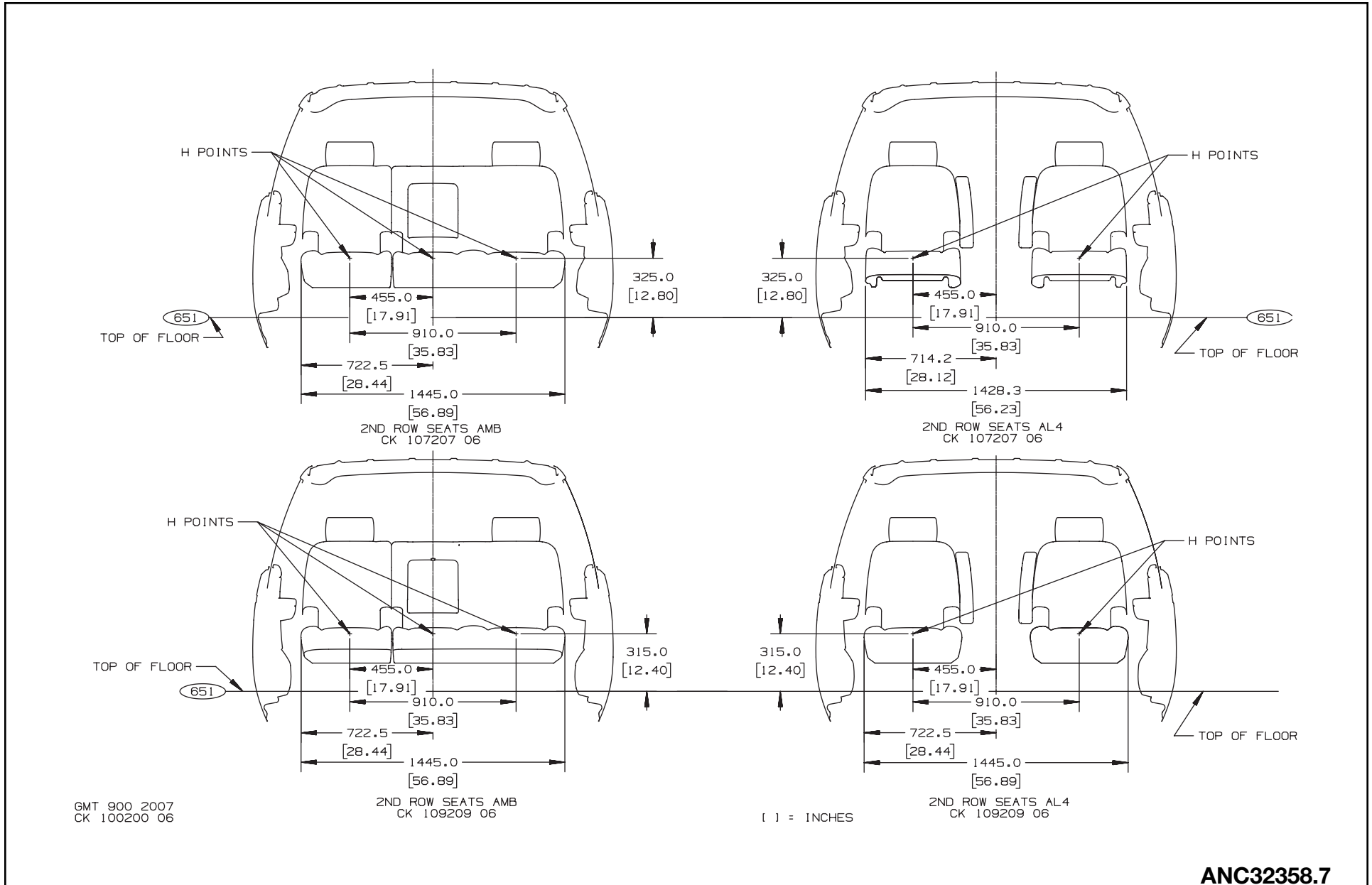
GMT 900 2007  
CK 100200 06

( )=INCHES

ANC32358.6

# FULL SIZE C/K UTILITIES

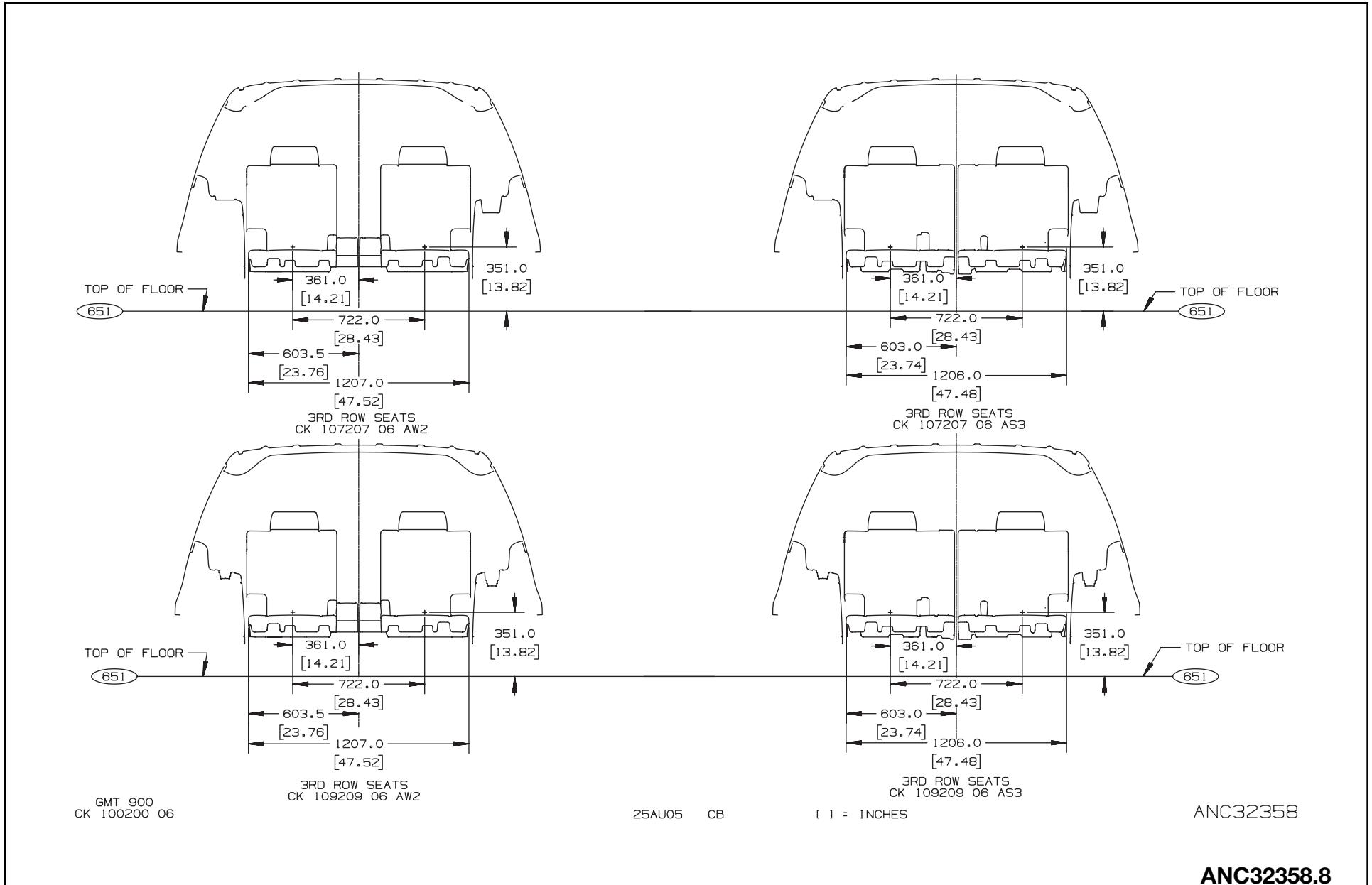
## Seating Positions and H Points 2nd Row Front View, Utilities – C/K 100/200 (06)



ANC32358.7

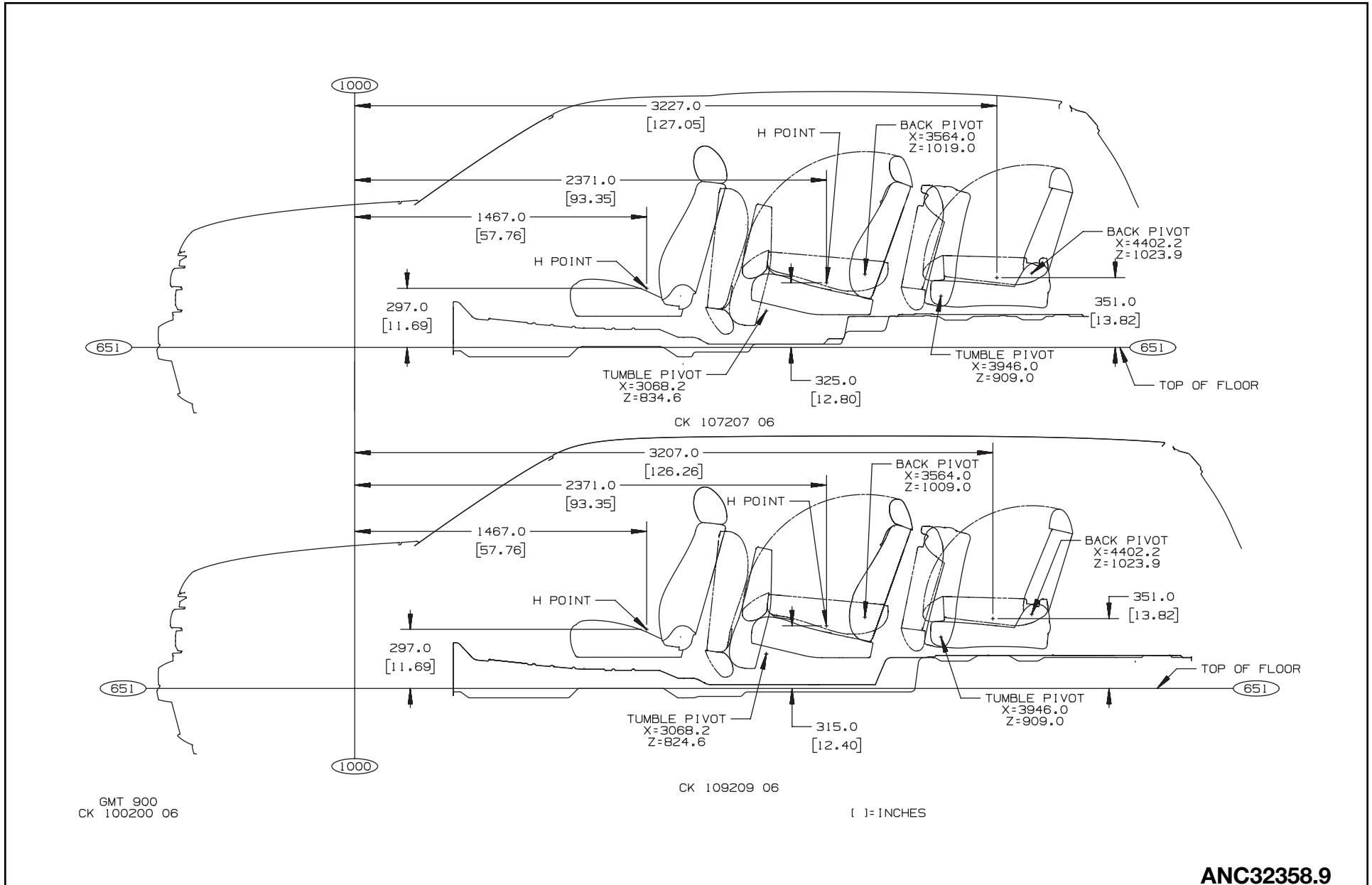
# FULL SIZE C/K UTILITIES

## Seating Positions and H Points 3rd Row Front View, Utilities – C/K 100/200 (06)



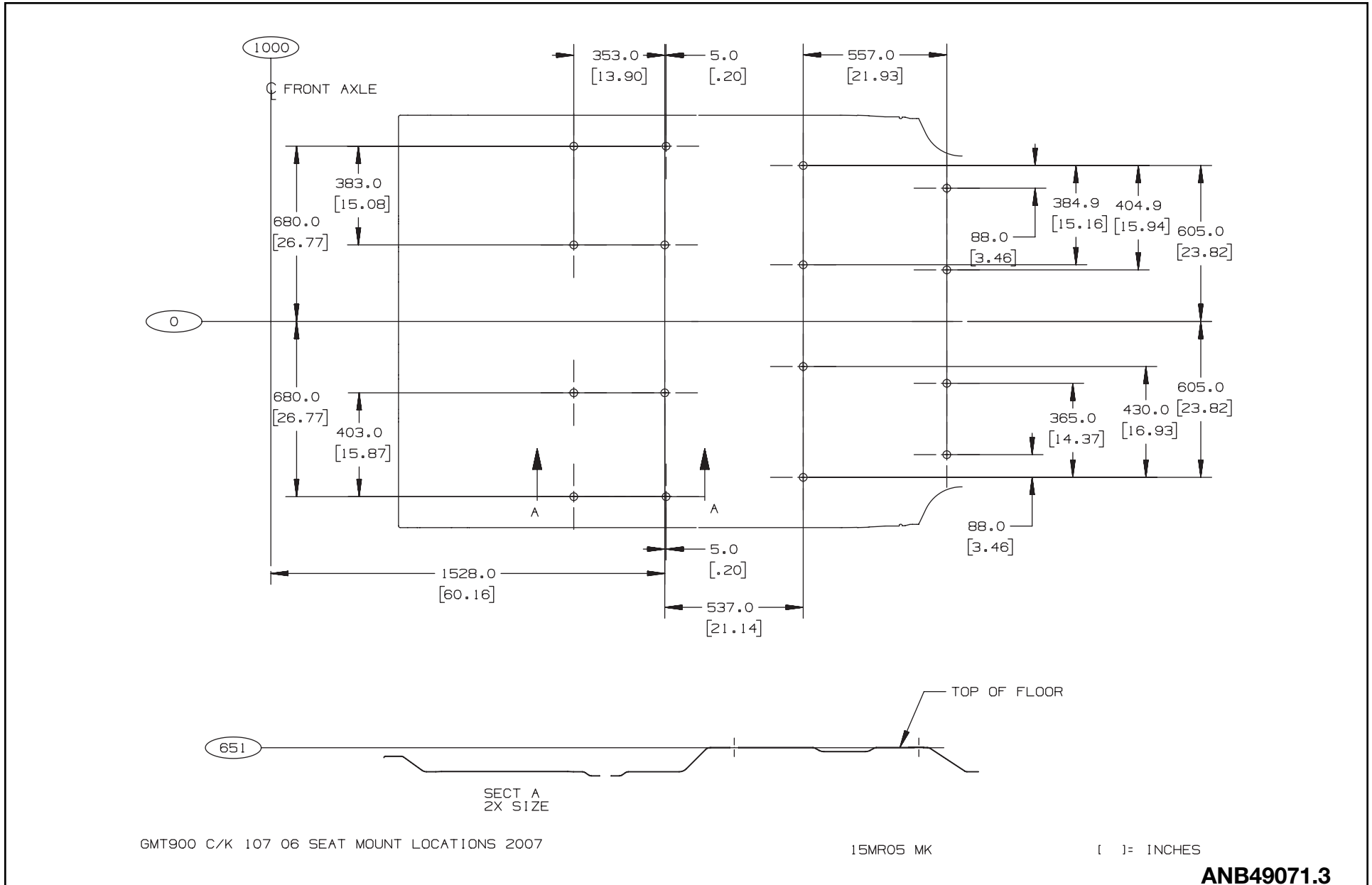
# FULL SIZE C/K UTILITIES

## Seating Positions and H Points Side View, Utilities – C/K 100/200 (06)



# FULL SIZE C/K UTILITIES

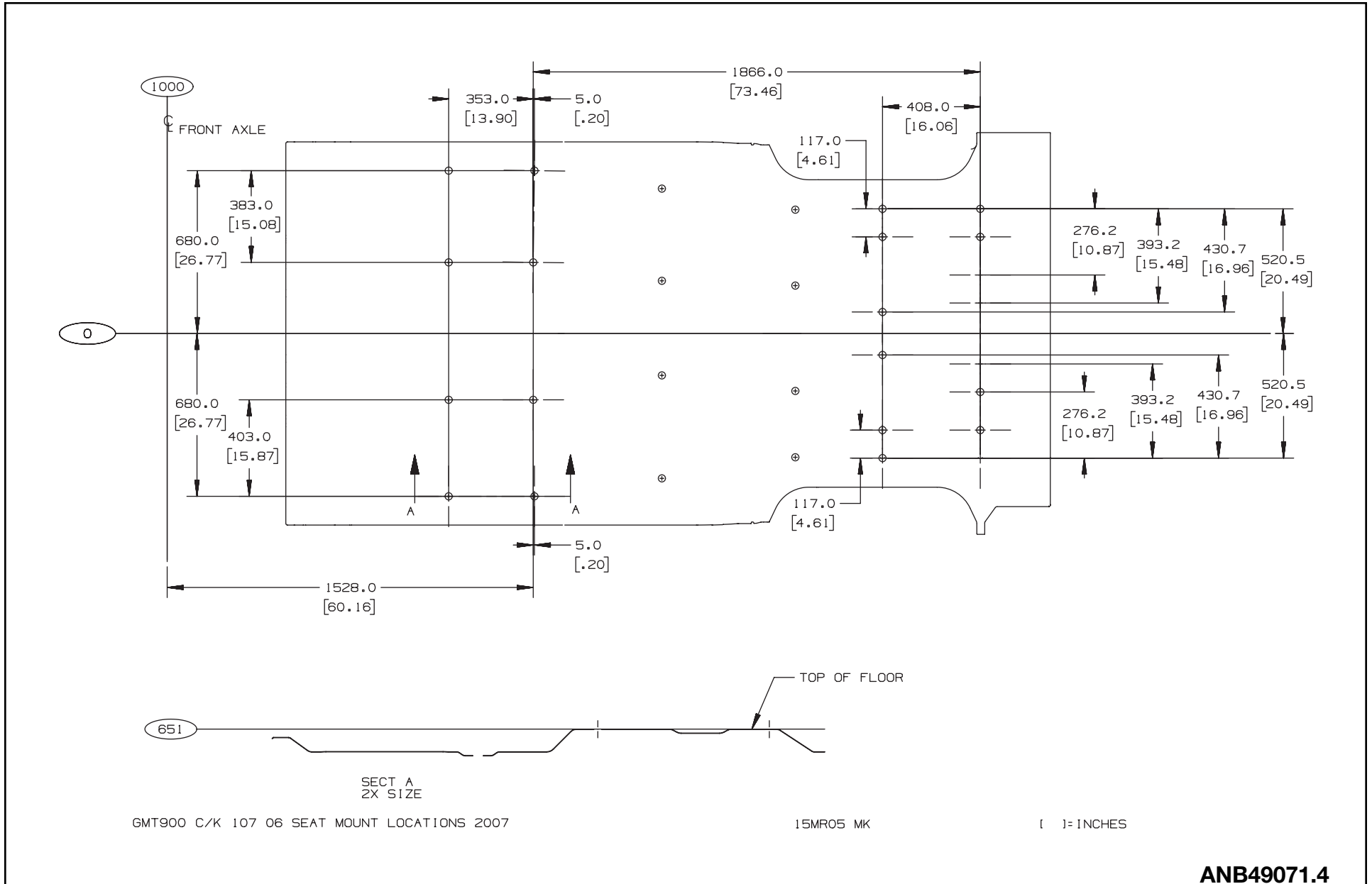
## C/K 10706 1st and 2nd Rows – Seat Mounting Holes Locations – Floor



ANB49071.3

# FULL SIZE C/K UTILITIES

## C/K 10706 1st and 3rd Rows – Seat Mounting Holes Locations – Floor



GMT900 C/K 107 06 SEAT MOUNT LOCATIONS 2007

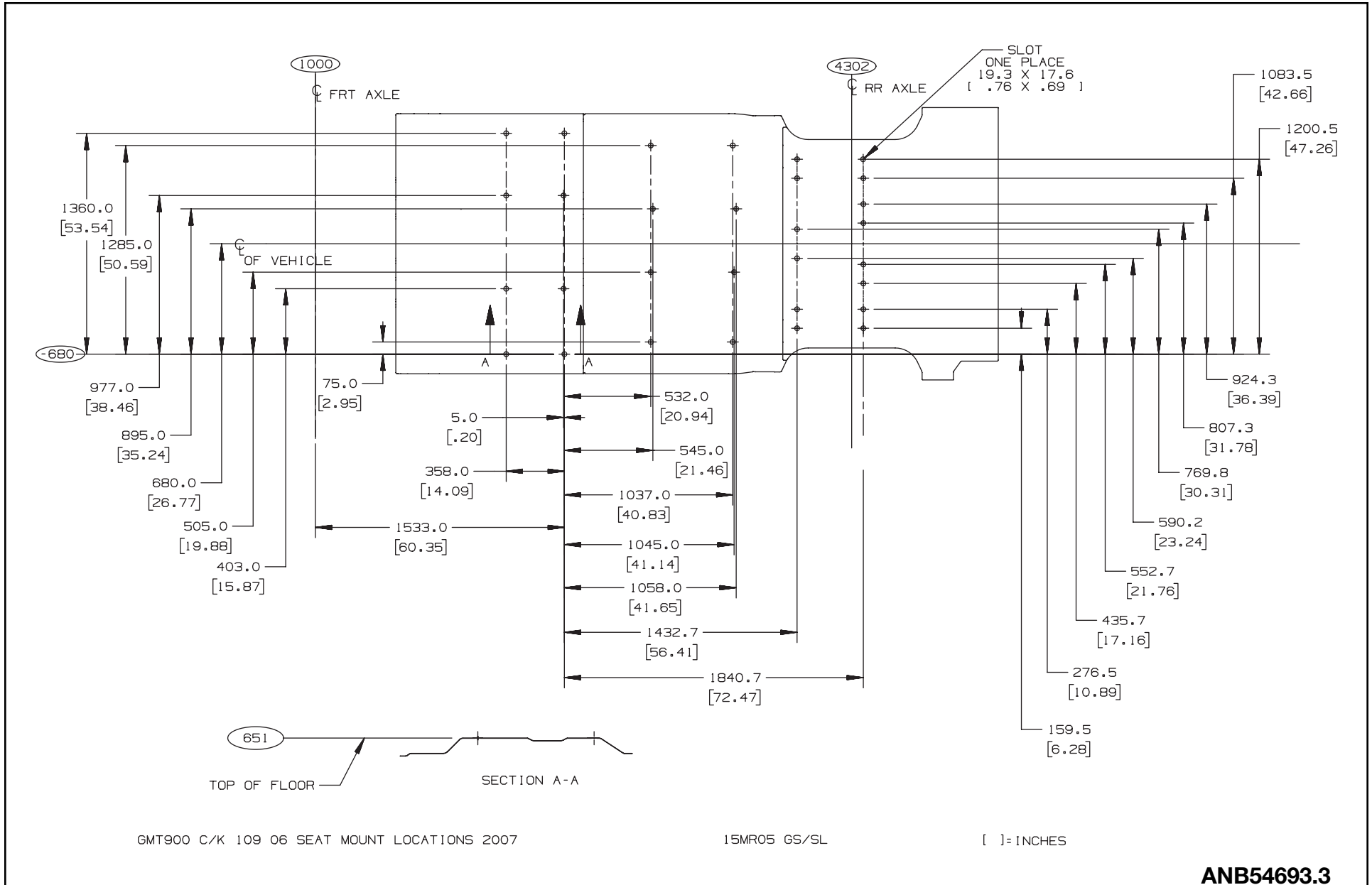
15MR05 MK

[ ] = INCHES

ANB49071.4

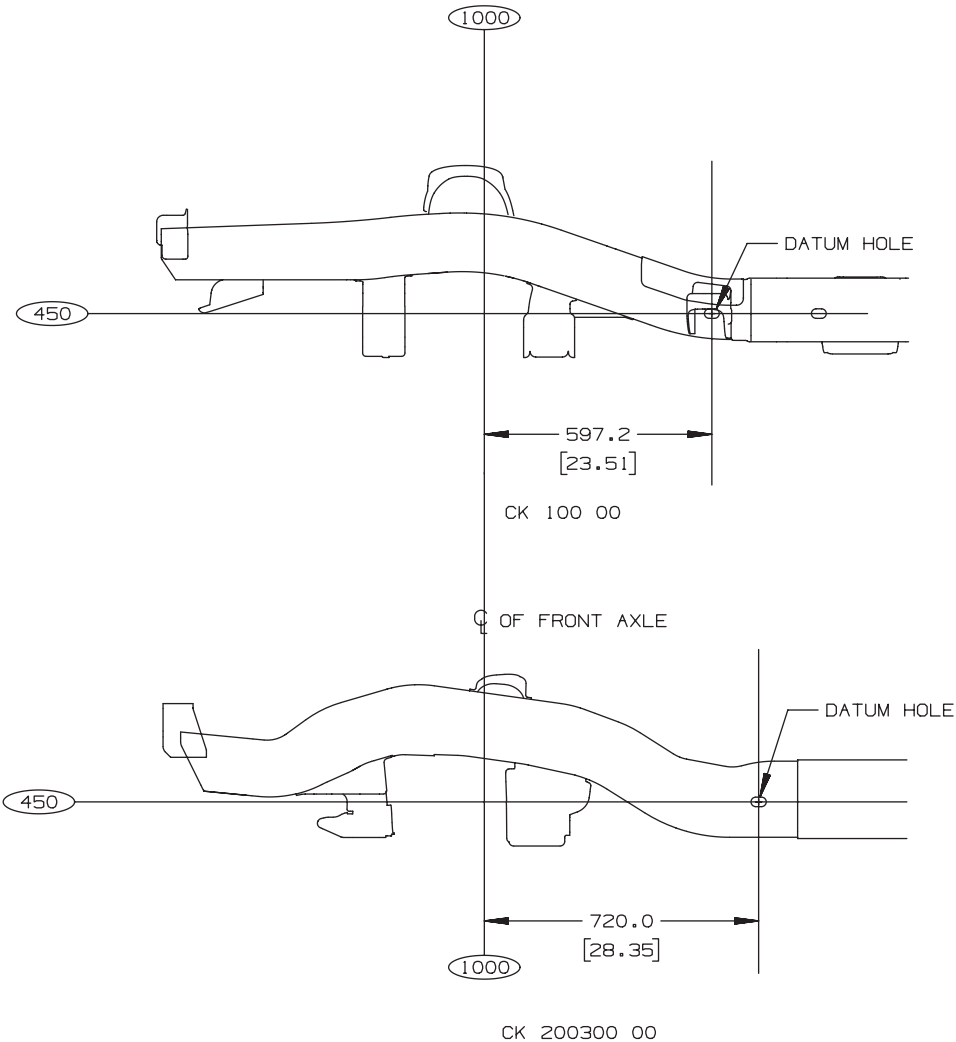
# FULL SIZE C/K UTILITIES

## C/K 10/20 (906) 1st, 2nd and 3rd Rows – Seat Mounting Holes Locations – Floor



ANB54693.3

## C/K 100/200 (00) – Datum Hole Location



GMT 900 CK100200300 00 FRAME DATUM LOCATIONS

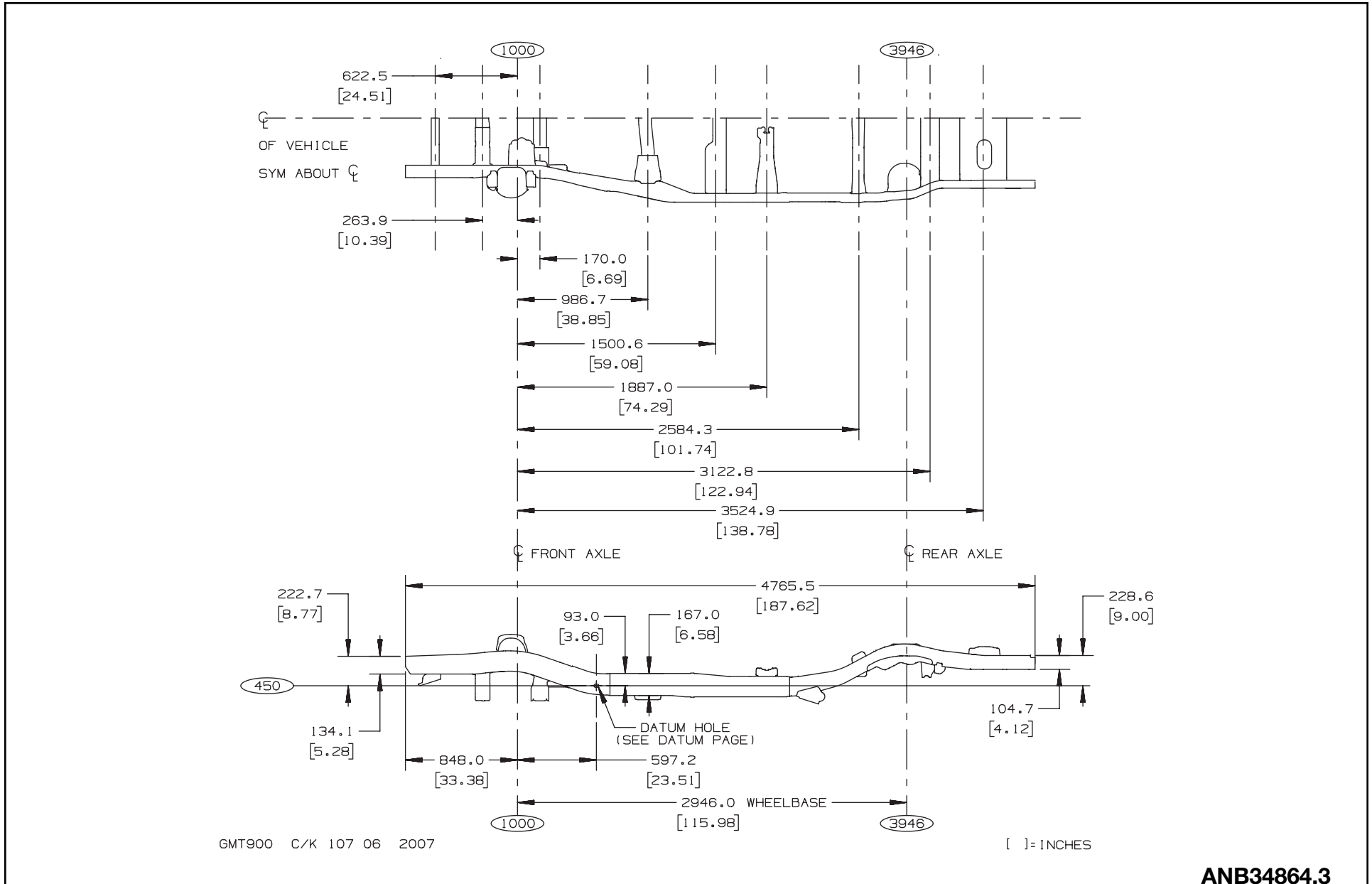
[ ] = INCHES

**ANC30752.3**



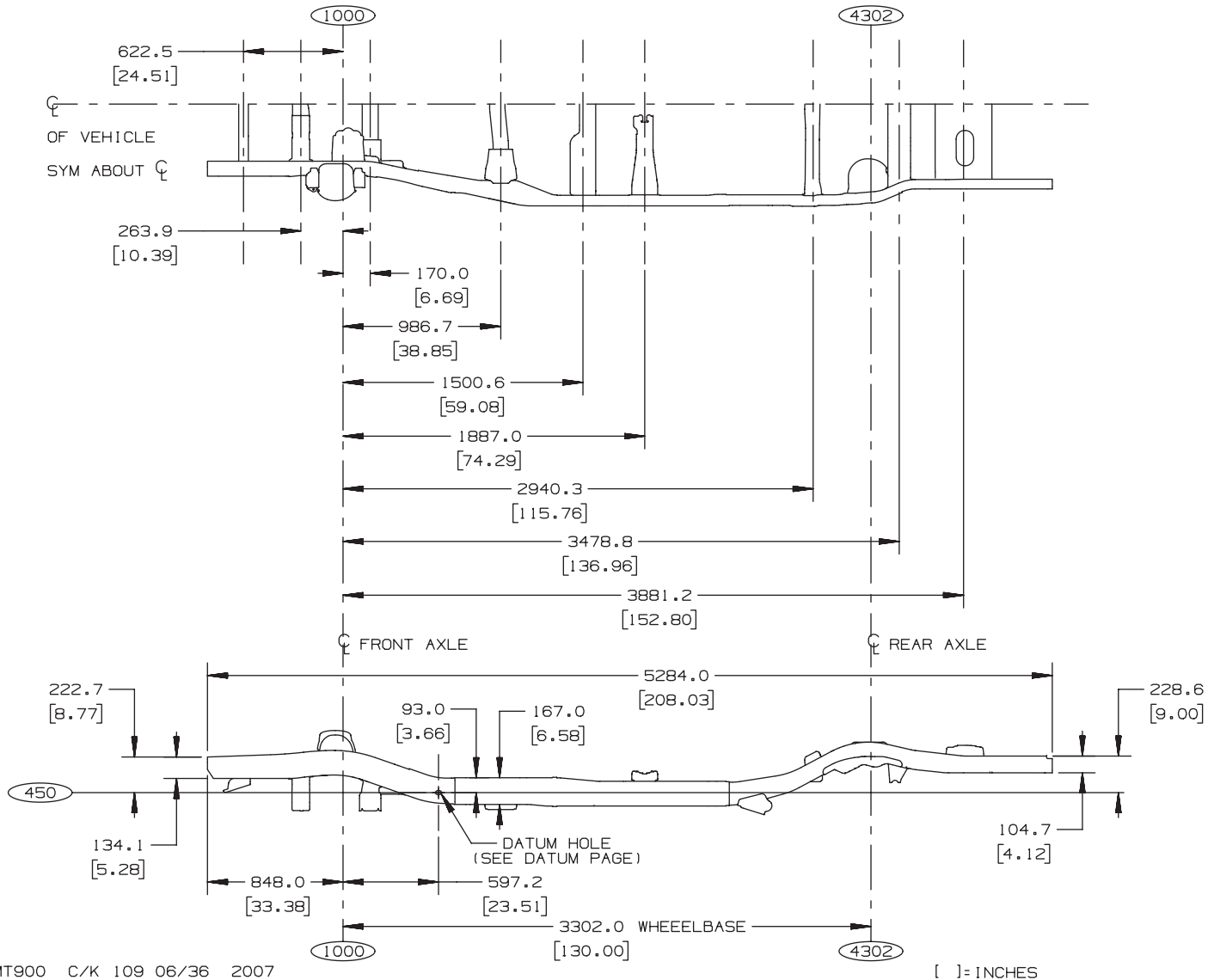
# FULL SIZE C/K UTILITIES

## C/K 10706 – Frame Rail and Crossmember Locations



# FULL SIZE C/K UTILITIES

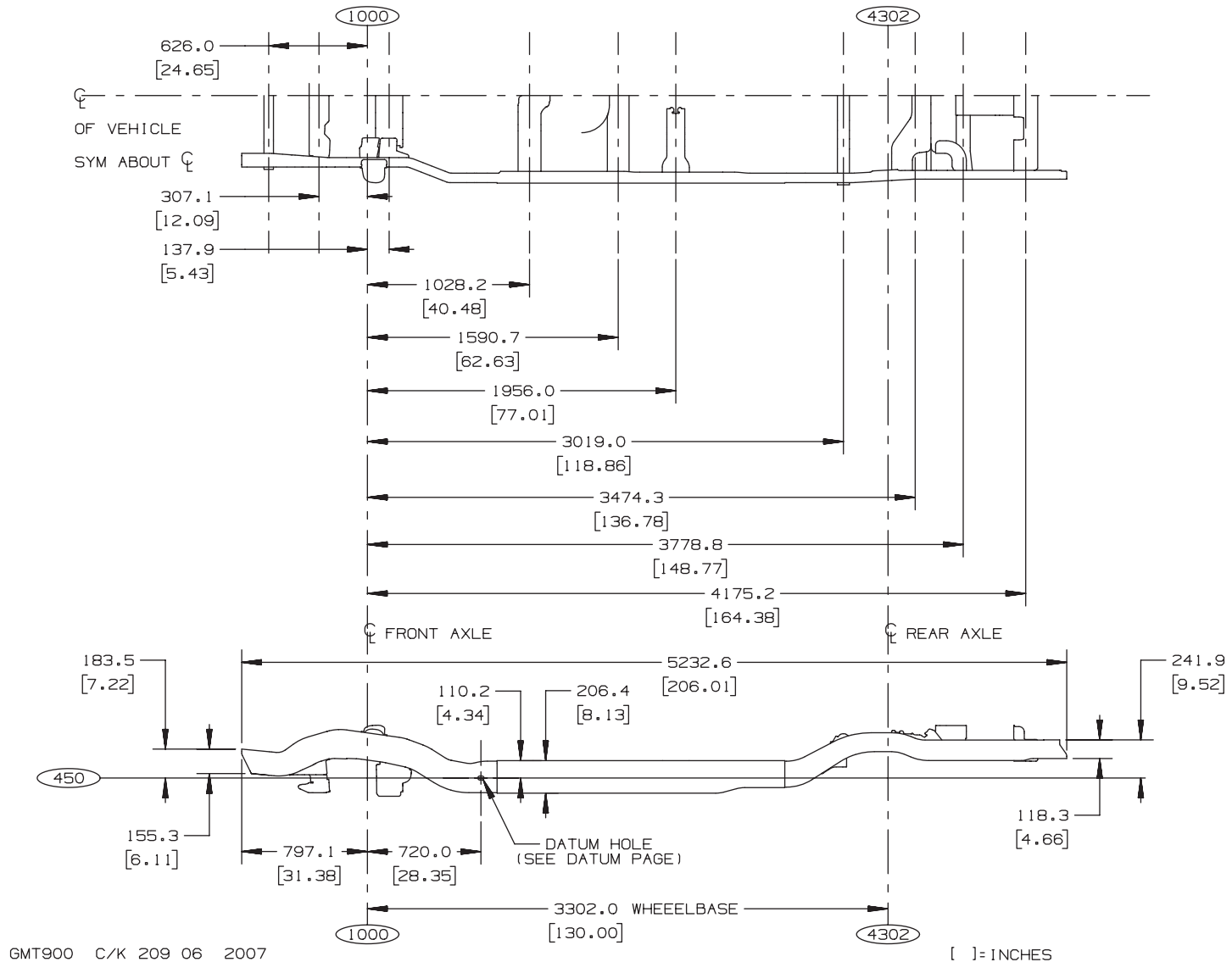
## C/K 109 (06/36) – Frame Rail and Crossmember Locations



ANB34864.4

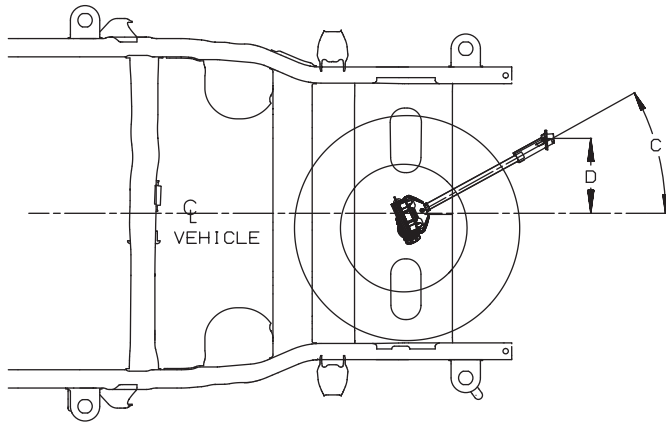
# FULL SIZE C/K UTILITIES

## C/K 20906 – Frame Rail and Crossmember Locations

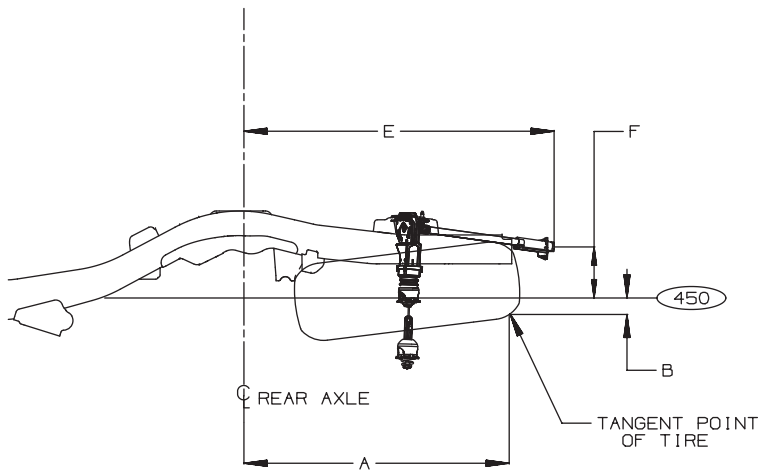


ANB34864.5

## Spare Tire Location



MODEL	TIRE	A	B	C	D	E	F
CK10706	P265/70R17	915.5 [ 36.04 ]	88.0 [ 3.46 ]	28.6°	263.0 [ 10.35 ]	1123.0 [ 44.21 ]	185.6 [ 7.31 ]
CK10906	P265/70R17	941.8 [ 37.08 ]	135.0 [ 5.32 ]	22.5°	271.6 [ 10.69 ]	1284.4 [ 50.57 ]	185.6 [ 7.31 ]
CK20906	P265/70R17	941.8 [ 37.08 ]	135.0 [ 5.32 ]	20.9°	271.6 [ 10.69 ]	1284.4 [ 50.57 ]	185.6 [ 7.31 ]



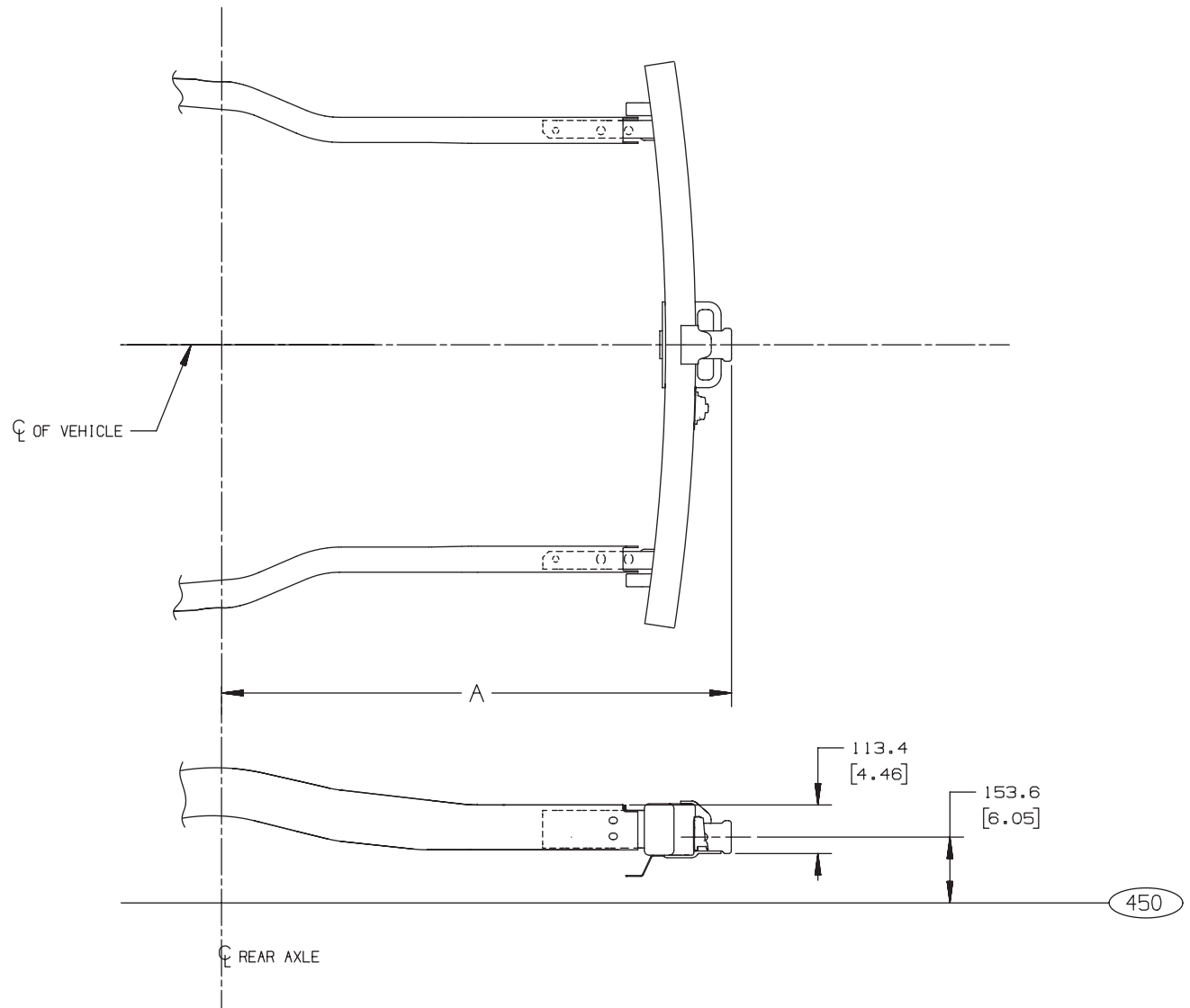
GMT900 2007 SPARE TIRE UTILITIES

310C05 SW [ ]= INCHES

**ANC39360.3**

# FULL SIZE C/K UTILITIES

## Utilities C/K 100/200 (06) – Platform Hitch



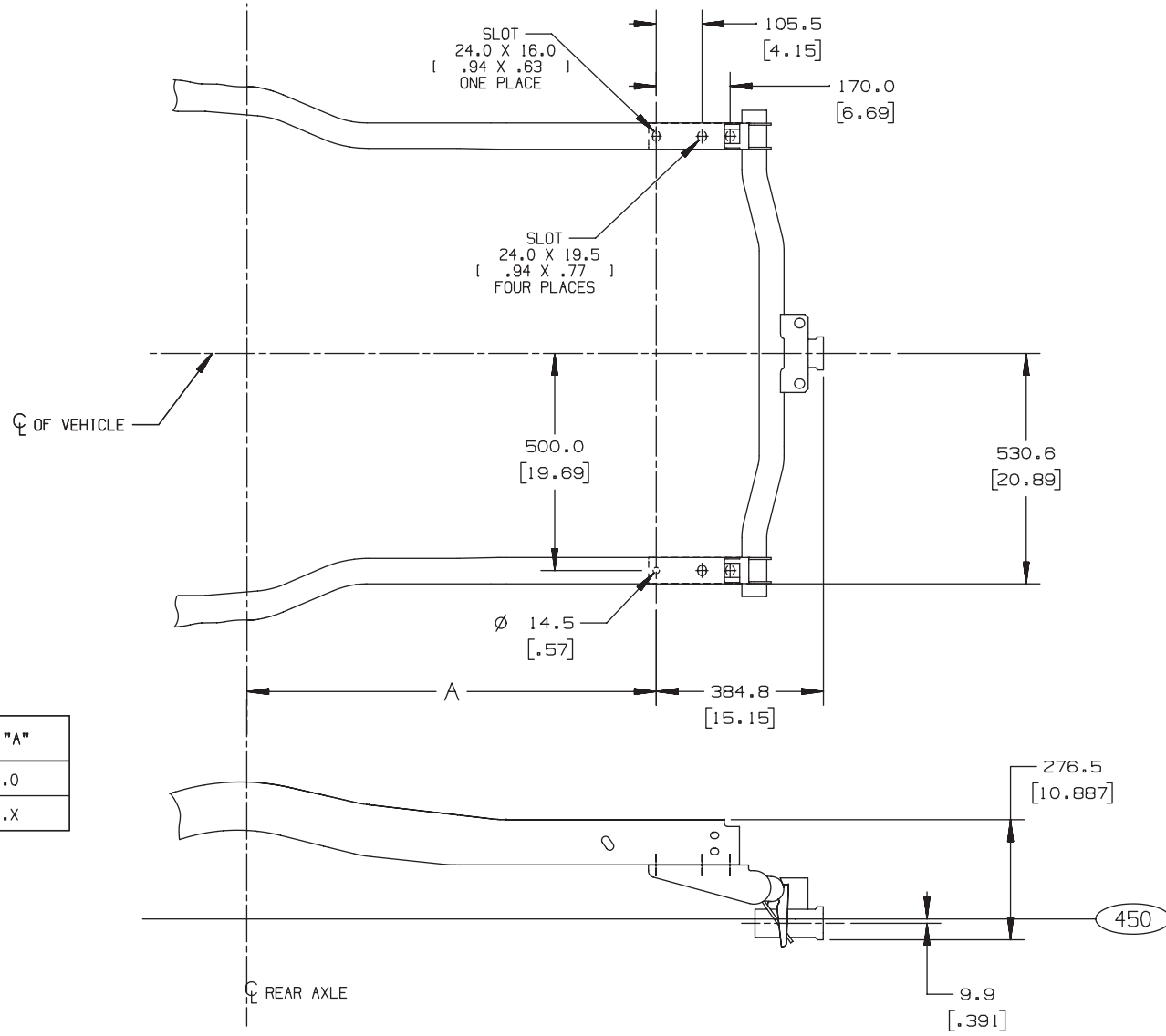
MODEL	CL REAR AXLE	DIM "A"
C 107 06	3946	1189.2
C 109/209 06	4302	1352.1

GMT900 C/K 100/200 06 2007

[ ] = INCHES

**ANB60845.3**

## Ultimate Utility C/K 10936 – Platform Hitch



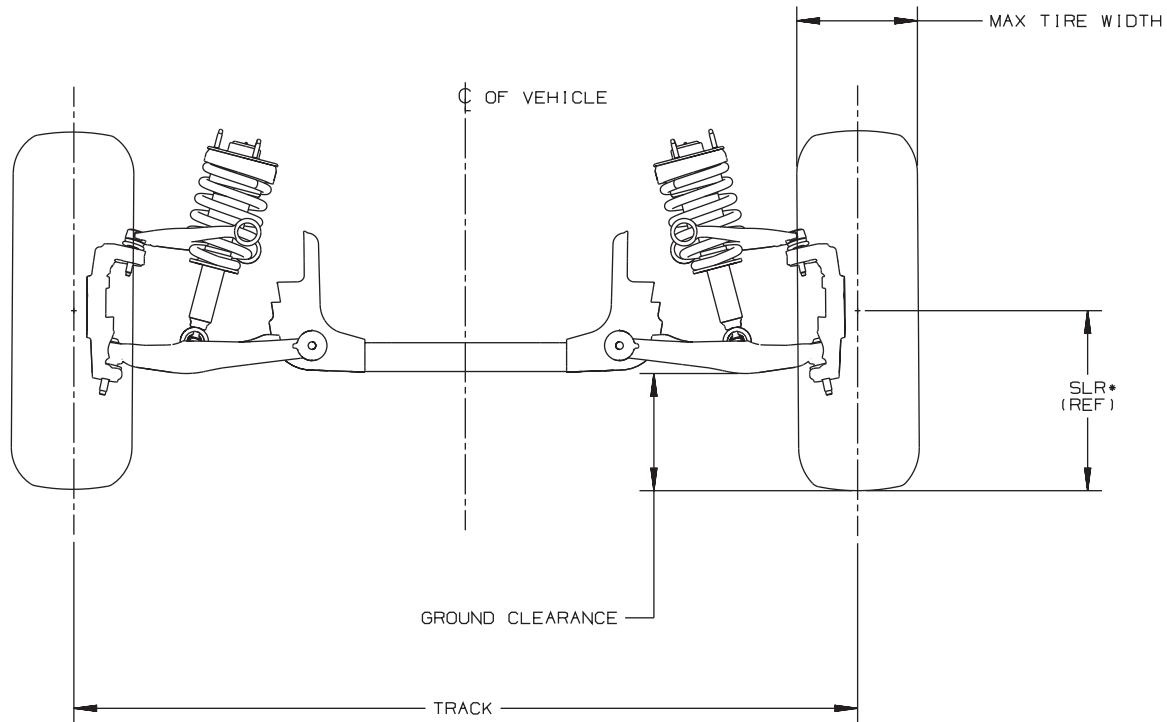
MODEL	$\phi$ REAR AXLE	DIM "A"
C/K 109/209 36	4302	942.0
C/K XXX/XXX XX	XXXX	XXX.X

GMT900 C/K 100 06/36 2008

[ ] = INCHES

ANB60845.4

## Front Axle/Tire Data Drawing – C/K10 (706/906)



- VYU = SNOW PLOW
- Z83 = CHASSIS PACKAGE SOLID SMOOTH RIDE
- Z85 = CHASSIS PACKAGE INCREASED CAPACITY
- E63 = BODY EQUIPMENT FLEETSIDE PICKUP BOX
- Z71 = CHASSIS PACKAGE OFF ROAD
- ZW7 = CHASSIS PACKAGE PREMIUM SMOOTH RIDE

\*MINIMUM GROUND CLEARANCE TO BE  
CALCULATED BY USING GROSS  
AXLE WEIGHT AND RECOMMENDED TIRE PRESURE

GMT900 UTILITIES 1000 SERIES/TRUCK 1000 SERIES FRONT AXLE/TIRE DATA (2007)

1 1/2 INCHES

**ANB46140.13**

# FULL SIZE C/K UTILITIES

## Front Axle/Tire Data Drawing – C/K10 (706/906)

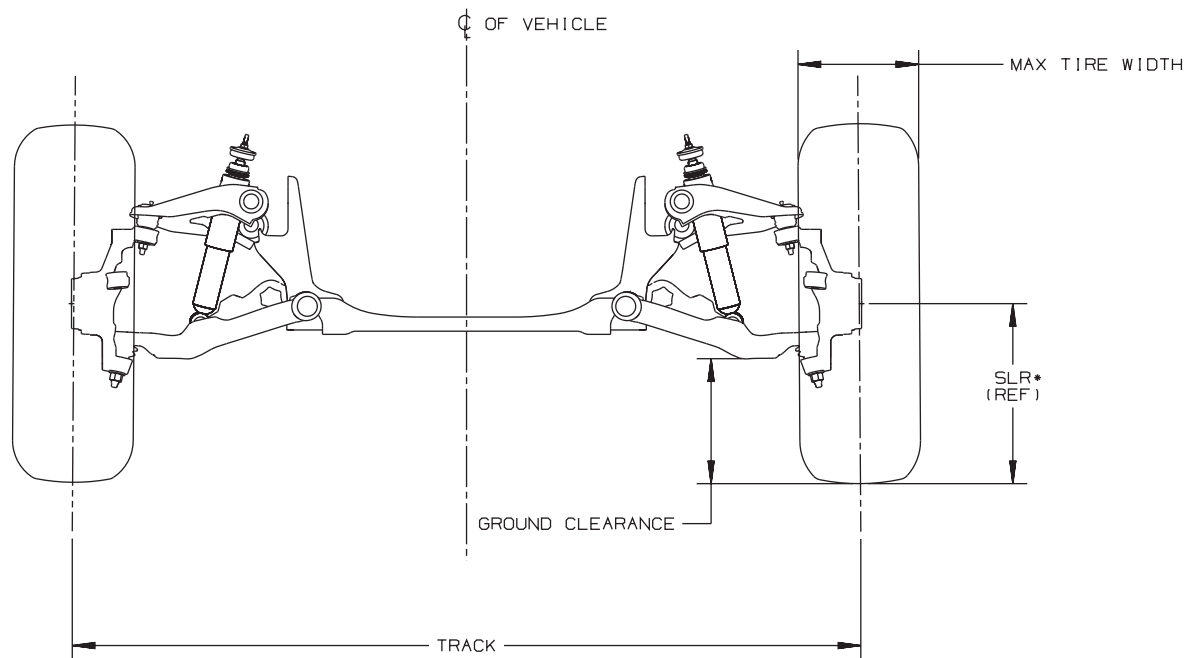
SERIES	OPT	SLR	TIRES	GVW RATING	REAR WHEEL	TRACK	WHEEL OFFSET	MAX TIRE WIDTH	GROUND CLEARANCE
K10706	ZW7/Z55/Z56/Z71	366	P265/65R18	7100	SINGLE	1725.6	28.0	286.0	210.2
C10706	ZW7/Z55/Z56/Z71	368	P265/65R18	7000	SINGLE	1725.6	28.0	286.0	211.8
K10706	ZW7/Z55/Z56/Z71	368	P265/65R18	7300	SINGLE	1725.6	28.0	286.0	213.0
CK10706	ZW7/Z55/Z56/Z71	371	P265/65R18	7100	SINGLE	1725.6	28.0	286.0	223.0
K10706	ZW7/Z55/Z56/Z71	365	P265/70R17	7300	SINGLE	1725.6	28.0	281.0	206.0
CK10706	ZW7/Z55/Z56/Z71	368	P265/70R17	7100	SINGLE	1725.6	28.0	281.0	206.5
CK10706	ZW7/Z55/Z56/Z71	376	P275/55R20	7100	SINGLE	1725.6	28.0	298.0	216.5
K10706	ZW7/Z55/Z56/Z71	373	P275/55R20	7300	SINGLE	1725.6	28.0	298.0	214.4
CK10706	ZW7/Z55/Z56/Z71	376	P275/55R20	7100	SINGLE	1725.6	28.0	298.0	214.6
K10706	ZW7/Z55/Z56/Z71	373	P275/55R20	7300	SINGLE	1725.6	28.0	298.0	213.7
CK10706	ZW7/Z55/Z56/Z71	379	P285/45R22	7000	SINGLE	1725.6	28.0	294.0	222.2
K10906	ZW7/Z55/Z56/Z71	376	P285/45R22	7400	SINGLE	1725.6	28.0	294.0	220.5
K10906	ZW7/Z55/Z56/Z71	373	P275/55R20	7400	SINGLE	1725.6	28.0	298.0	213.3
C10906	ZW7/Z55/Z56/Z71	375	P275/55R20	7200	SINGLE	1725.6	28.0	298.0	375.4
K10906	ZW7/Z55/Z56/Z71	365	P265/70R17	7400	SINGLE	1725.6	28.0	281.0	201.8
C10906	ZW7/Z55/Z56/Z71	368	P265/70R17	7200	SINGLE	1725.6	28.0	281.0	206.5
K10906	ZW7/Z55/Z56/Z71	365	P265/65R18	7400	SINGLE	1725.6	28.0	286.0	215.4

GMT900 UTILITIES 1000 SERIES FRONT AXLE/TIRE DATA (2007)

METRIC CONVERSION TO INCHES  
MM / 25.4 = INCHES



## Front Axle/Tire Data Drawing – C/K20 (706/906)



- VYU : SNOW PLOW
- ZW9 : BODY EQUIPMENT BASE BODY OR CHASSIS
- ZB5 : CHASSIS PACKAGE INCREASED CAPACITY
- ZB3 : CHASSIS PACKAGE SMOOTH RIDE
- E63 : BODY EQUIPMENT FLEETSIDE PICKUP BOX
- Z71 : CHASSIS PACKAGE OFF ROAD
- GTY : AXLE WIDE TRACK

\*MINIMUM GROUND CLEARANCE TO BE CALCULATED BY USING GROSS AXLE WEIGHT AND RECOMMENDED TIRE PRESURE

GMT900 TRUCKS 2000/3000 SERIES UTILITIES 2000 SERIES FRONT AXLE/TIRE DATA (2007)

[ ] : INCHES

**ANB46140.14**

# FULL SIZE C/K UTILITIES

## Front Axle/Tire Data Drawing – C/K20 (706/906)

SERIES	OPT	SLR	TIRES	GVW RATING	REAR WHEEL	TRACK	WHEEL OFFSET	MAX TIRE WIDTH	GROUND CLEARANCE
CK20906	ZW7/Z55/Z56/Z71	356	LT245/75R16	8600	SINGLE	1742.0	31.0	256.0	188.5

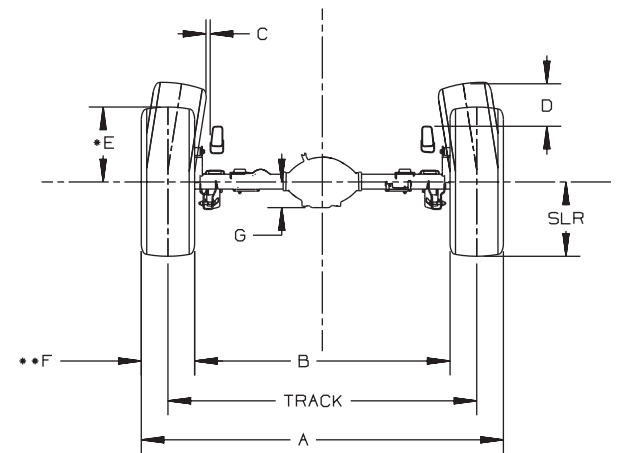
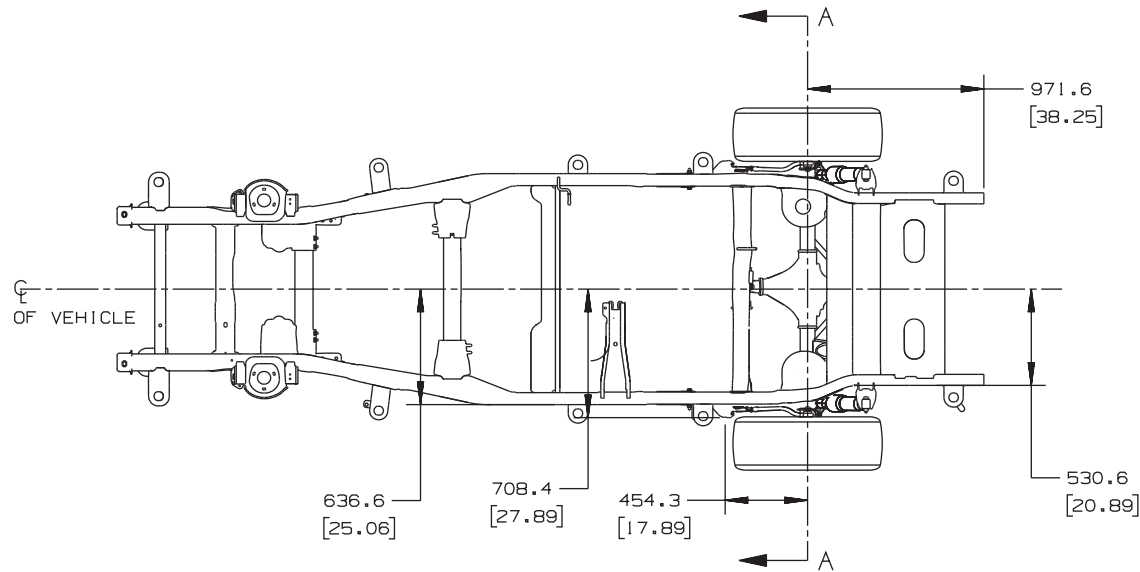
GMT900 UTILITIES 2000 SERIES FRONT AXLE/TIRE DATA (2007)

METRIC CONVERSION TO INCHES  
MM / 25.4 = INCHES

**ANB46140.16**

# FULL SIZE C/K UTILITIES

## Rear Axle/Tire Data Drawing – C/K 100/200 (06)



SECTION A-A  
ROTATED 90

RING GEAR	G
[ 8.6 ] DIA	139.0 [ 5.47 ]
[ 9.5 ] DIA	160.0 [ 6.30 ]
[ 10.5 ] DIA	184.0 [ 7.24 ]

A = TRACK + F  
B = TRACK - F

- MAX GROWN TIRE RADIUS ON NARROWEST RIM
  - MAX GROWN TIRE WIDTH ON WIDEST RIM
- TIRE CHAINS NOT INCLUDED

ZW7 = CHASSIS PACKAGE PREMIUM SMOOTH RIDE  
Z71 = CHASSIS PACKAGE OFF ROAD  
VYU = SNOW PLOW

GMT900 UTILITIES REAR AXLE/TIRE DATA (2007)

[ ] = INCHES

**ANB46140.3**

# FULL SIZE C/K UTILITIES

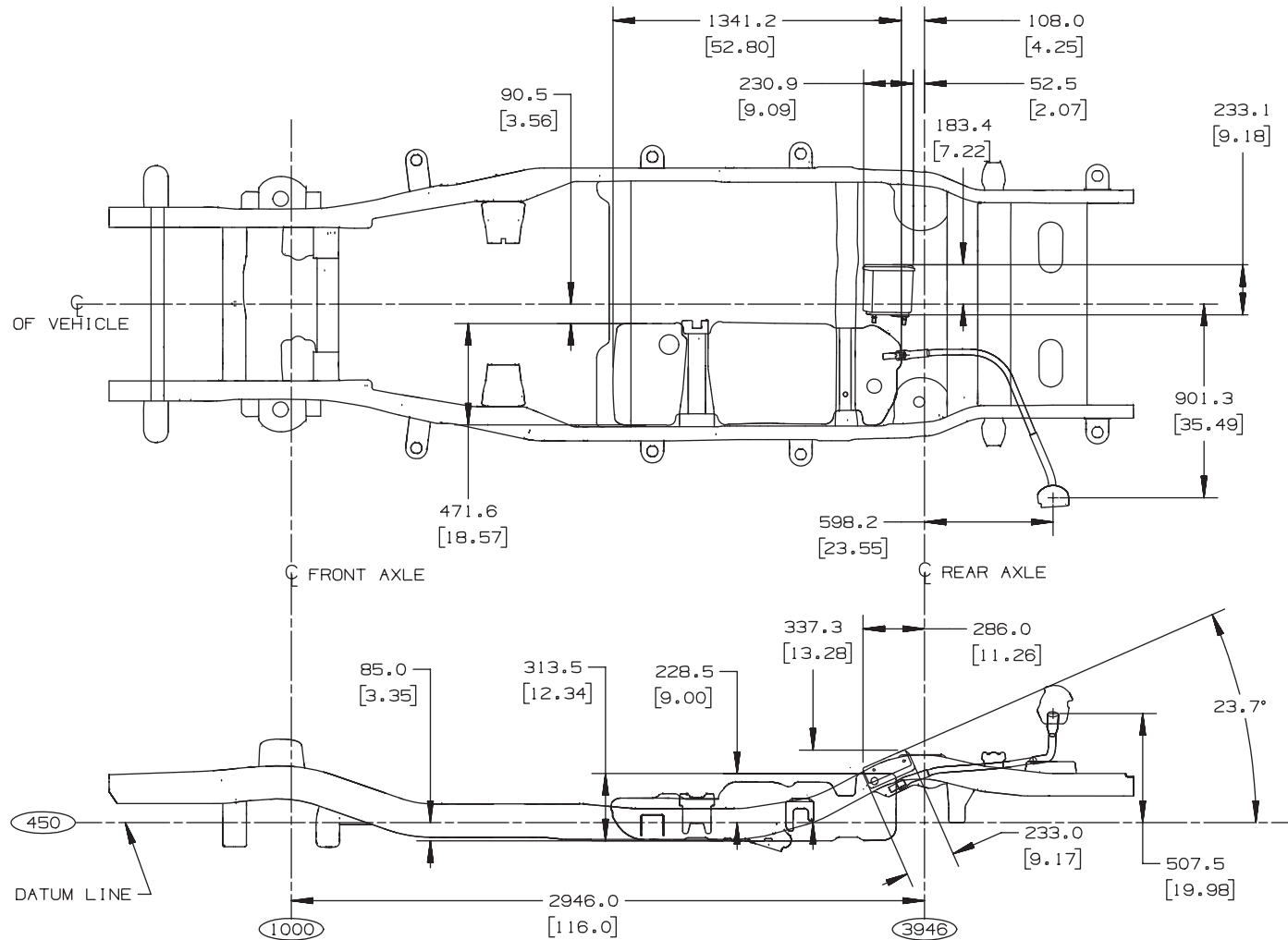
## Rear Axle/Tire Data Chart – C/K 100/200 (06)

SERIES	OPT	SLR	TIRES	GVW RATING	REAR WHEEL	TRACK	WHEEL OFFSET	-A-	-B-	-C-	-D-	-E-	-F-
K10706	ZW7/Z55/Z56/Z71	361	P265/65R18	7100	SINGLE	1701.8	28.0	1986.9	1414.9	22.8	265.5	408.5	286.0
C10706	ZW7/Z55/Z56/Z71	361	P265/65R18	7000	SINGLE	1701.8	28.0	1986.9	1414.9	22.8	265.5	408.5	286.0
K10706	ZW7/Z55/Z56/Z71	363	P265/65R18	7300	SINGLE	1701.8	28.0	1986.9	1414.9	22.8	265.5	408.5	286.0
CK10706	ZW7/Z55/Z56/Z71	363	P265/65R18	7100	SINGLE	1701.8	28.0	1986.9	1414.9	22.8	265.5	408.5	286.0
K10706	ZW7/Z55/Z56/Z71	363	P265/70R17	7300	SINGLE	1701.8	28.0	1980.8	1418.8	25.9	264.8	410.0	281.0
CK10706	ZW7/Z55/Z56/Z71	360	P265/70R17	7100	SINGLE	1701.8	28.0	1980.8	1418.8	25.9	264.8	410.0	281.0
CK10706	ZW7/Z55/Z56/Z71	369	P275/55R20	7100	SINGLE	1701.8	28.0	1999.0	1403.0	15.5	269.3	410.0	298.0
K10706	ZW7/Z55/Z56/Z71	369	P275/55R20	7300	SINGLE	1701.8	28.0	1999.0	1403.0	15.5	269.3	410.0	298.0
CK10706	ZW7/Z55/Z56/Z71	369	P275/55R20	7100	SINGLE	1701.8	28.0	1999.0	1403.0	15.5	269.3	410.0	298.0
K10706	ZW7/Z55/Z56/Z71	369	P275/55R20	7300	SINGLE	1701.8	28.0	1999.0	1403.0	15.5	269.3	410.0	298.0
CK10706	ZW7/Z55/Z56/Z71	373	P285/45R22	7000	SINGLE	1701.8	28.0	1995.8	1407.8	15.9	264.3	413.9	294.0
K10906	ZW7/Z55/Z56/Z71	372	P285/45R22	7400	SINGLE	1701.8	28.0	1995.8	1407.8	15.9	264.3	413.9	294.0
K10906	ZW7/Z55/Z56/Z71	368	P275/55R20	7400	SINGLE	1701.8	28.0	1999.0	1403.0	15.5	269.3	410.0	298.0
C10906	ZW7/Z55/Z56/Z71	369	P275/55R20	7200	SINGLE	1701.8	28.0	1999.0	1403.0	15.5	269.3	410.0	298.0
K10906	ZW7/Z55/Z56/Z71	360	P265/70R17	7400	SINGLE	1701.8	28.0	1908.8	1418.8	25.9	264.8	410.0	281.0
C10906	ZW7/Z55/Z56/Z71	360	P265/70R17	7200	SINGLE	1701.8	28.0	1908.8	1418.8	25.9	264.8	410.0	281.0
K10906	ZW7/Z55/Z56/Z71	360	P265/65R18	7400	SINGLE	1701.8	28.0	1986.9	1414.9	22.8	265.5	408.5	286.0
CK20906	ZW7/Z55/Z56/Z71	355	LT245/75R16	8600	SINGLE	1701.8	31.0	1957.8	1445.8	116.5	240.8	393.8	256.0

GMT900 UTILITIES REAR AXLE/TIRE DATA (2007)

METRIC CONVERSION TO INCHES  
MM / 25.4 = INCHES

## C/K 10706 – Fuel Systems



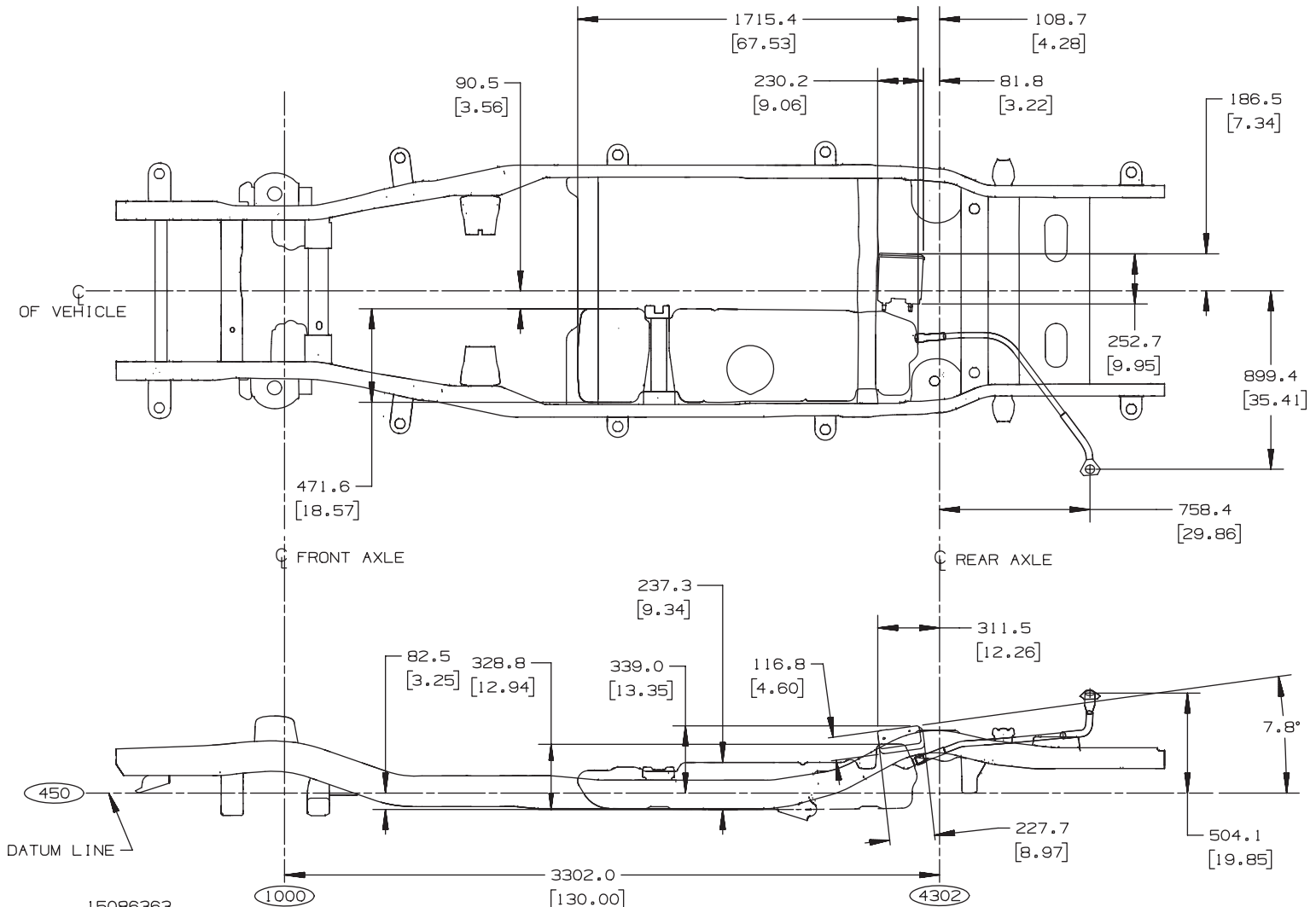
FRAME 10385585  
 FUEL TANK 15254554  
 FUEL TANK FILPIPE 15124936

GMT900 FUEL TANK CK10706 2007

[ ] = INCHES

ANB49354.3

## C/K 10906/36 – Fuel Systems

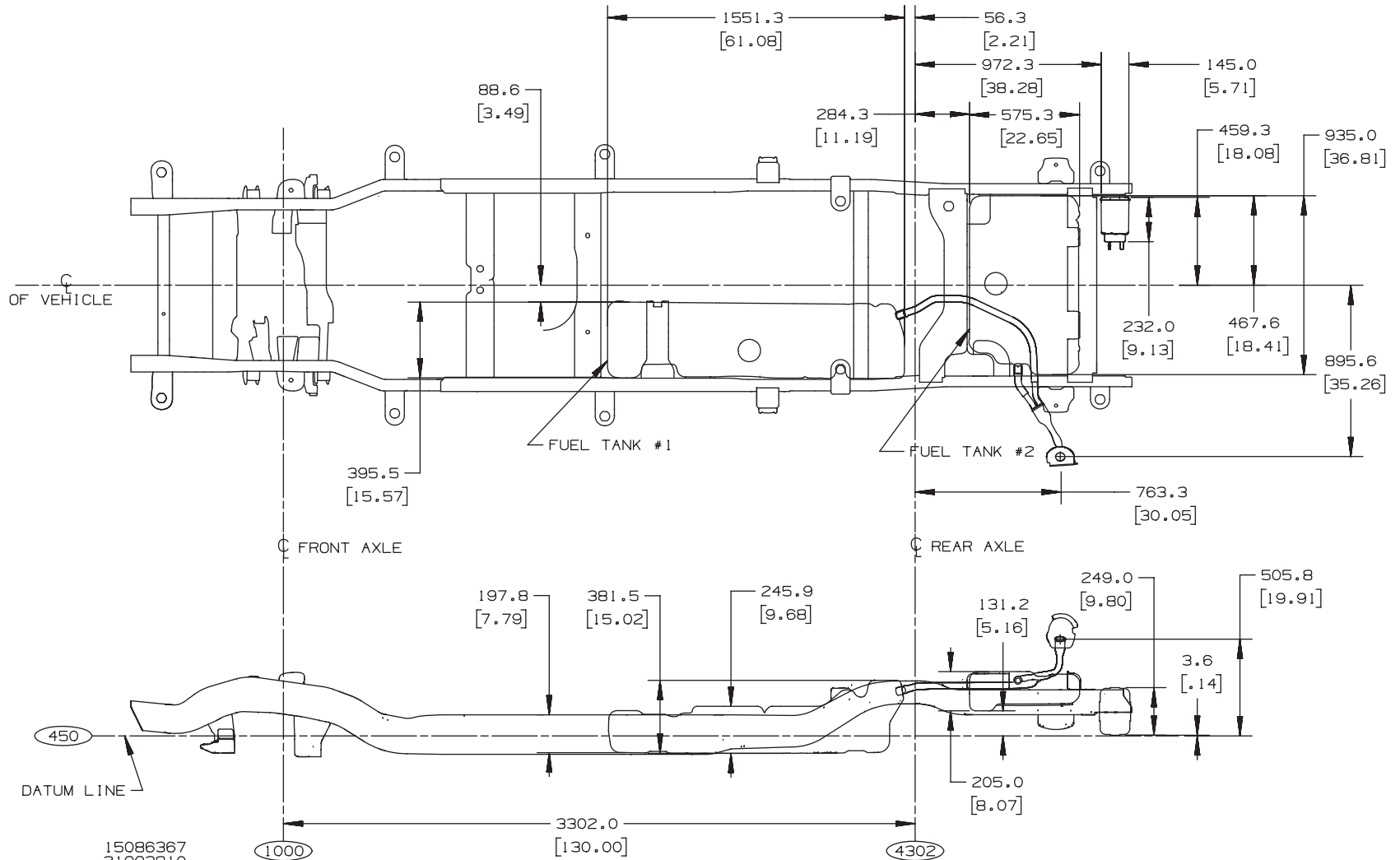


FRAME 15086363  
 FUEL TANK 15254556  
 FUEL TANK FILPIPE 15124935  
 GMT900 FUEL TANK CK10906/36 2007

( ) = INCHES

ANB49354.4

## C/K 20906 – Fuel Systems



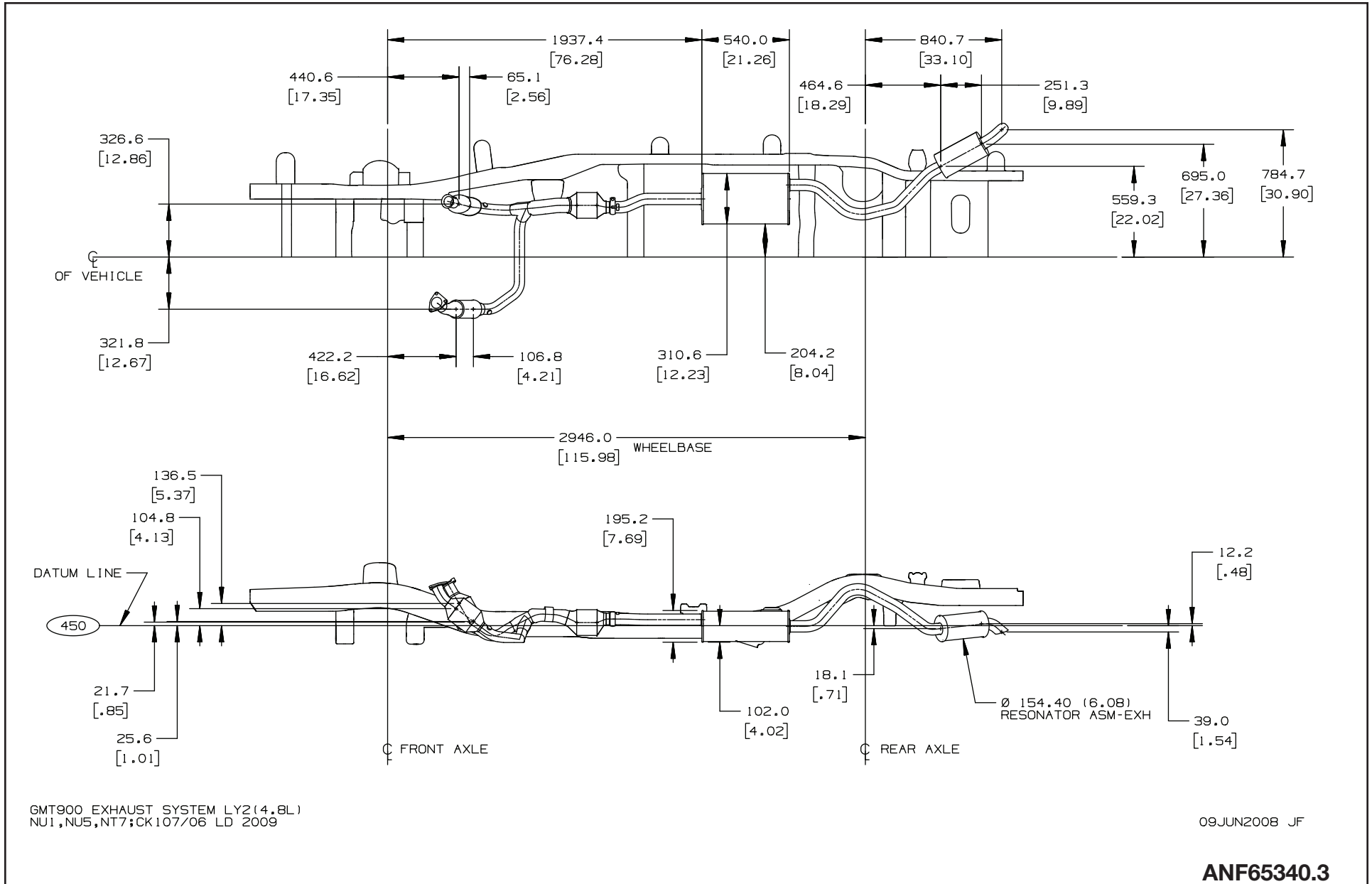
FRAME	15086367
FUEL TANK #1	21993810
FUEL TANK #2	15112169
FUEL TANK FILPIPE	15124937

GMT900 FUEL TANK CK20006 2007

[ ] = INCHES

ANB49354.5

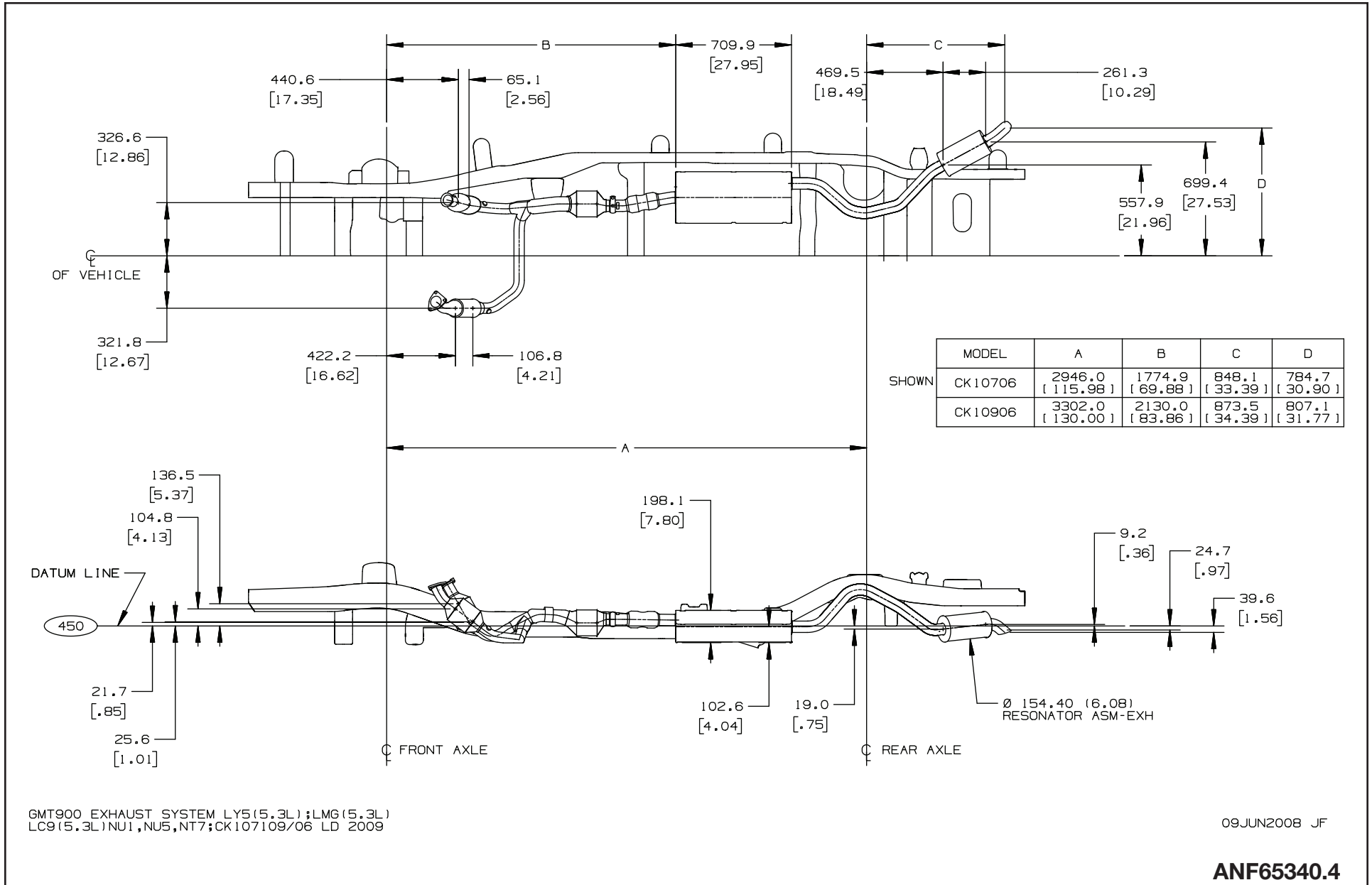
## C/K 10706 w/LY2 (4.8L V8) – Exhaust Systems





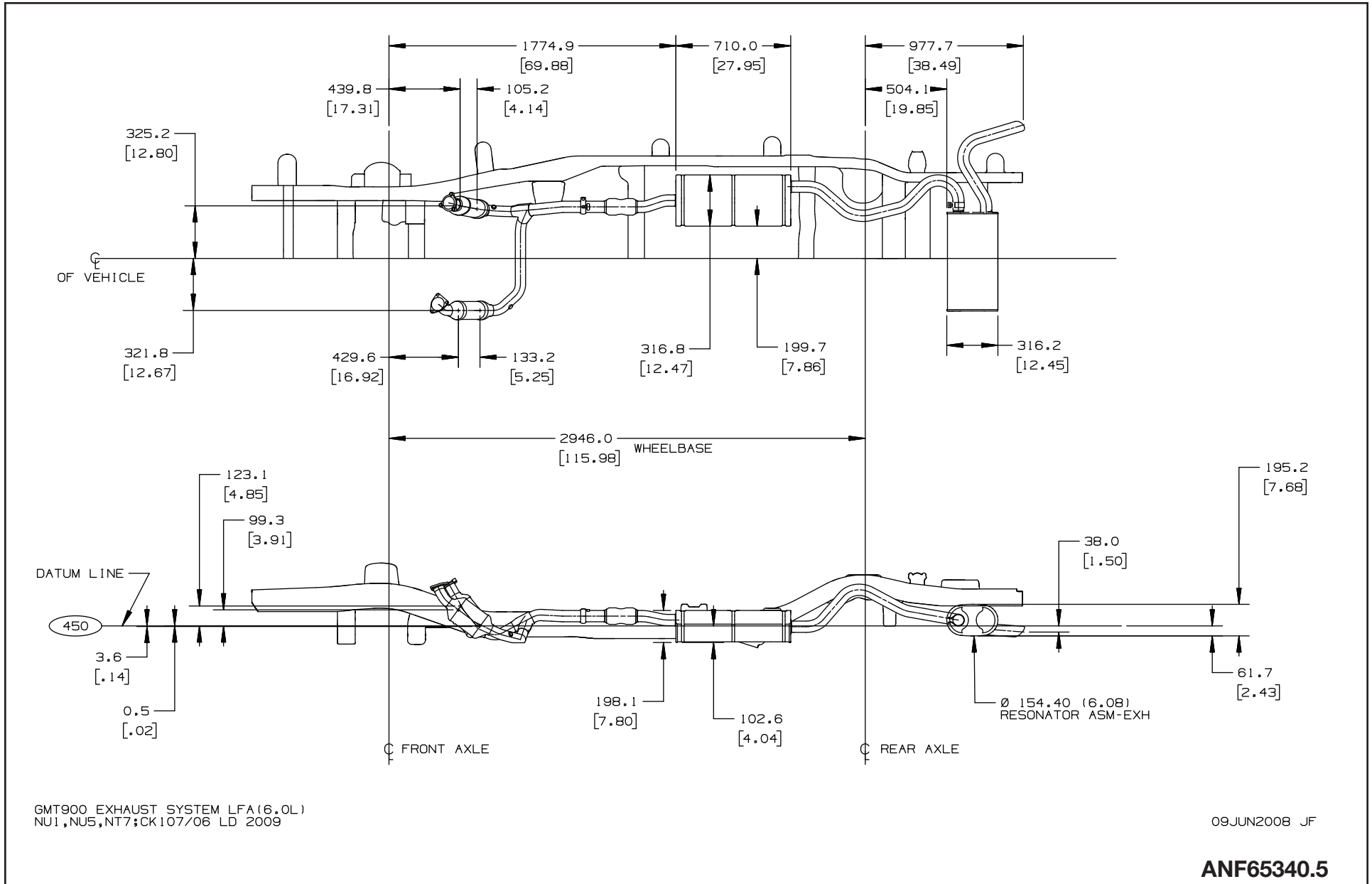
# FULL SIZE C/K UTILITIES

## C/K 107/109 (06) w/LY5, LMG & L9C (5.3L V8) – Exhaust Systems

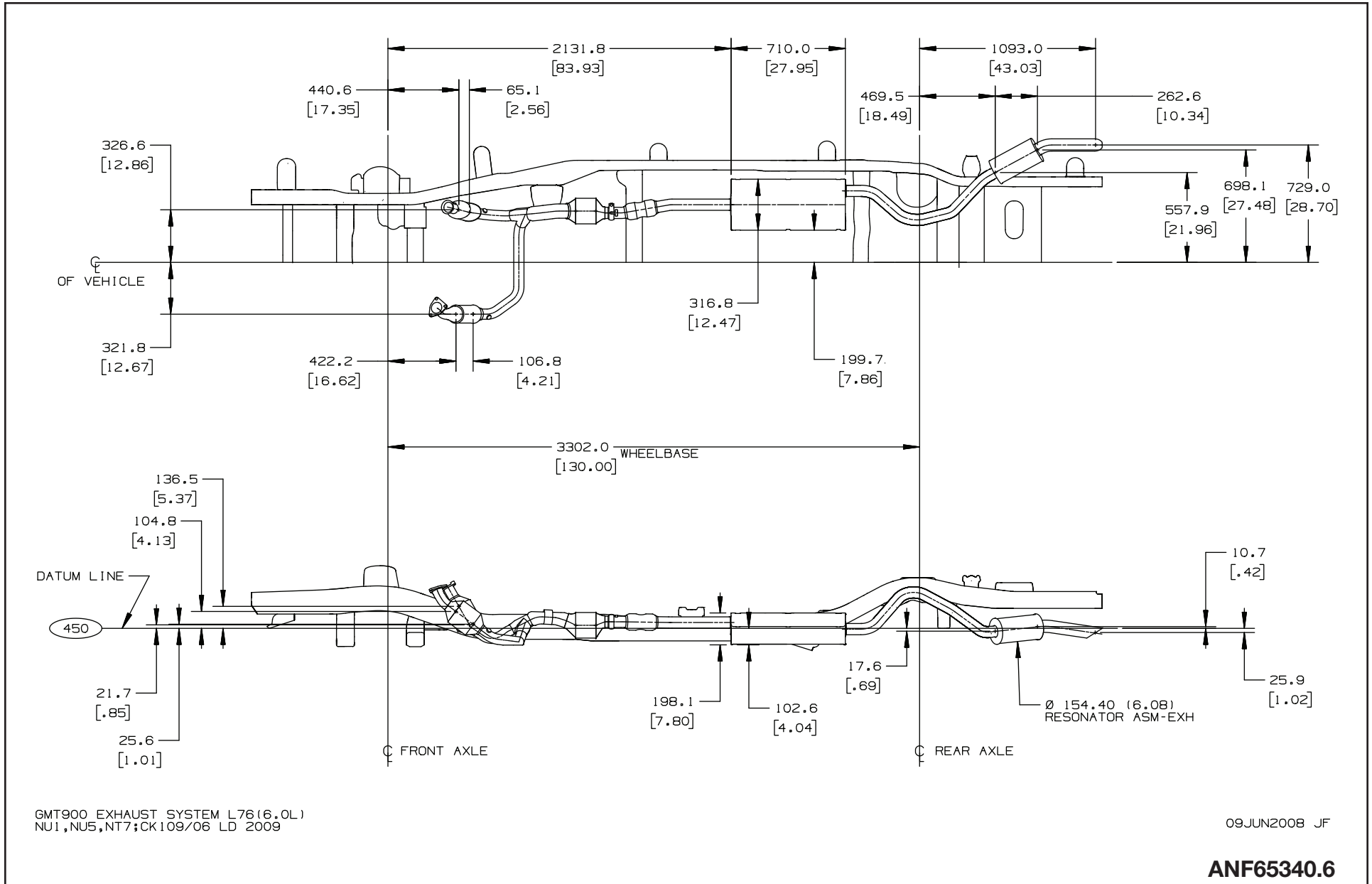


# FULL SIZE C/K UTILITIES

## C/K 10706 w/LFA (6.0L V8 Hybrid) – Exhaust Systems

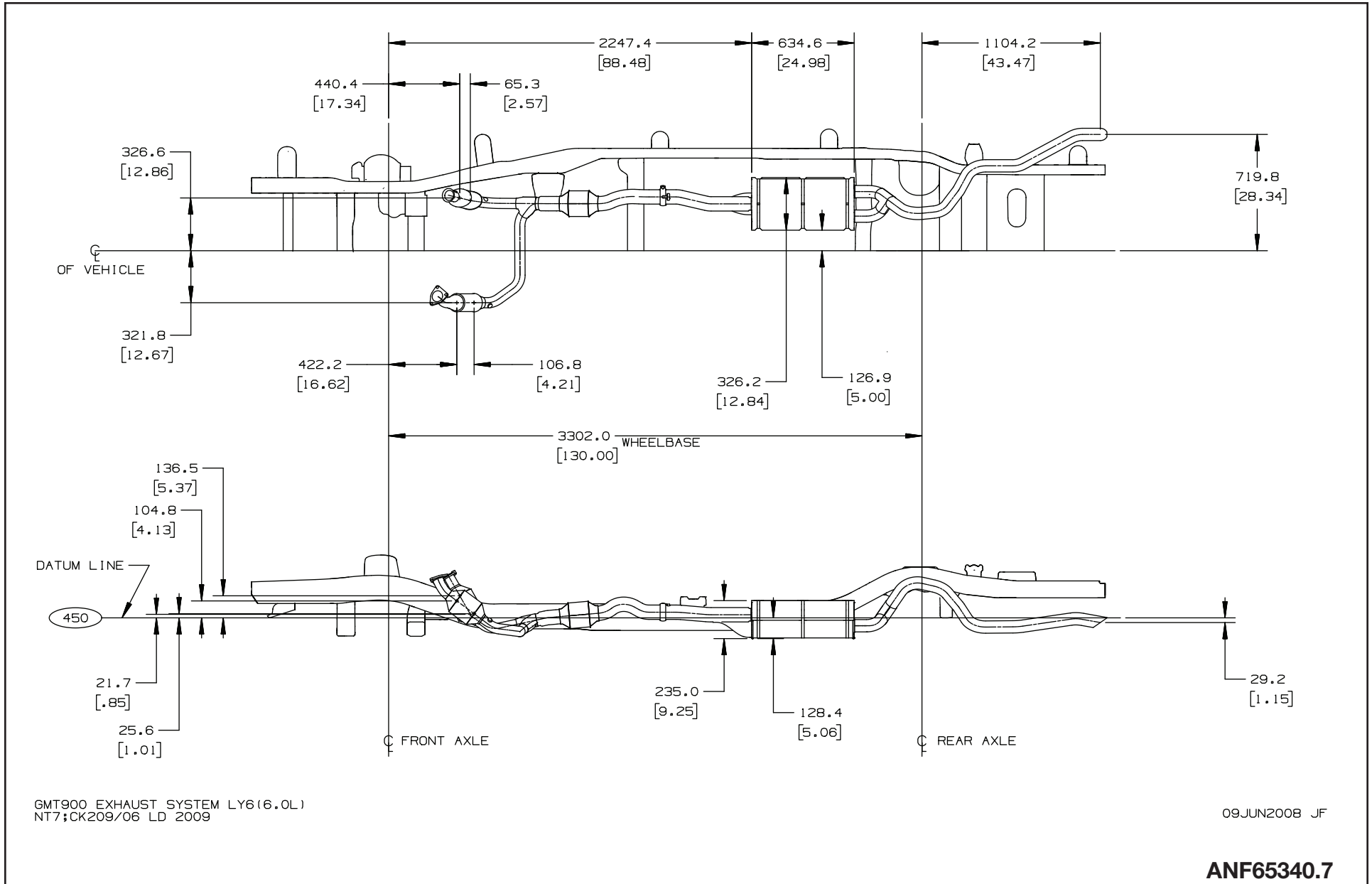


## C/K 10906 w/L76 (6.0L V8) – Exhaust Systems



# FULL SIZE C/K UTILITIES

## C/K 20906 w/LY6 (6.0L V8) – Exhaust Systems



# FULL SIZE C/K UTILITIES

## C/K 107/109 (06) w/LH9 (6.2L V8) – Exhaust Systems

