

FULL SIZE C/K LD PICKUPS

Model Symbol Chart.....	1
General Information.....	See Light Duty BBM “General Information” section
General Instructions	See Light Duty BBM “General Instruction” section
Camper Loading	See Online Order/Ref. Guide – “2008 GM Consumer Info. Truck-Camper Loading”
Pickup Box Removal	See Light Duty BBM “Special Applications – Pickup Box Removal Program” section
Snow Plow Prep. Pkg.....	See Light Duty BBM “Special Applications – Snow Plow Prep Package” section
Trailer Information	See Light Duty Online Order/Ref. Guide – “Light Duty Trailering Specs”
Model and Option Weights.....	See Light Duty Online Order/Ref. Guide – “Model and Opt. Weights” & “Weight Calculator”

VEHICLE

GENERAL ARRANGEMENT

Regular Cab.....	2
Extended Cab.....	3
Crew Cab	4
Body/Cargo Weight Distribution – 6' 6"	5
Body/Cargo Weight Distribution – 5' 8"	6
Body/Cargo Weight Distribution – 8'	7

BODY – EXTERIOR

GENERAL ARRANGEMENT

Regular Cab, 6' 6" Box – C/K 10703.....	8
Regular Cab, 8' Box – C/K 10903.....	9
Extended Cab, 6' 6" Box – C/K 10753.....	10
Extended Cab, 8' Box – C/K 10953.....	11
Crew Cab, 5' 8" Box – C/K 10543	12

FRONT END CLIPS

C/K 100 (03/53/43)	13
--------------------------	----

HOOD OPENINGS

C/K 100 (03/53/43)	14
--------------------------	----

FULL SIZE C/K LD PICKUPS

BODY – EXTERIOR – *Continued*

HOOD PROFILES

Chevy X88 – C/K 100 (03/53/43).....	15
GMC Z88 – C/K 100/200/300 (03/53/43).....	16

REAR BACK OF CAB SILHOUETTE

Pickup	17
--------------	----

SIGN AREA

Regular Cab – C/K 100/200/300 (03)	18
Extended Cab – C/K 100/200/300 (53)	19
Crew Cab – C/K 100/200/300 (43).....	20

CAB STEP IN HEIGHTS

Regular Cab (03)	21
Extended Cab (53)	22
Crew Cab (43).....	23

MIRRORS, OUTSIDE REARVIEW

C/K 1000, Option DL8 and C/K 2000/3000, Option DE2	24
--	----

CAB CLEARANCE LAMPS, CHMSL AND REAR CAB WINDOW

Fixed and Sliding	25
-------------------------	----

CAB PRESSURE VALVE ASSEMBLY

Rear Quarter Body Panel	26
-------------------------------	----

PICKUP BOX

Side Rail Load Points/Paths – Structural Members.....	27
Side Rail Load Points/Paths – Primary/Secondary Load Points.....	28
Side Rail Load Points/Paths – Stake Pocket Openings & Front Structure	29
Side Rail Load Points/Paths – Stake Pocket Openings & Rear Structure	30
Length and Width Dimension for 5' 8", 6' 6" and 8'	31
Inside Panel, 5' 8" Box	32

FULL SIZE C/K LD PICKUPS

BODY – EXTERIOR – PICKUP BOX – *Continued*

Cross Sills Location, 5' 8" Box.....	33
Inside Panel, 6' 6" Box	34
Cross Sills Location, 6' 6" Box.....	35
Inside Panel, 8' Box	36
Cross Sills Location, 8' Box.....	37

CAB – INTERIOR

SEATING ARRANGEMENT

Seating Positions and H Points 1st Row Front View, Pickups – C/K 100/200/300 (03/53/43)	38
Seating Positions and H Points 2nd Row Front View, Pickups – C/K 100/200/300 (03/53/43).....	39
Seating Positions and H Points Side View, Pickups – C/K 100/200/300 (03/53/43).....	40

SEAT MOUNTING HOLES LOCATIONS – FLOOR

C/K 100/200/300 (03/53/43)	41
C/K 10743	42

CHASSIS

DATUM HOLE LOCATION – FRAME

C/K 100 (00) and C/K 200/300 (00).....	43
--	----

FRAME RAIL AND CROSSMEMBER LOCATION

C/K 10703	44
C/K 10903	45
C/K 10753	46
C/K 10953	47
C/K 10543	48

SPARE TIRE LOCATION

C/K 1000 Series Pickups	49
-------------------------------	----

FULL SIZE C/K LD PICKUPS

CHASSIS – *Continued*

PLATFORM HITCH

Pickups C/K 100 (03/53/43)	50
----------------------------------	----

FRONT AXLE/TIRE DATA

Front Axle Tire Data Drawing – C/K 10000 Pickups.....	51
---	----

Front Axle Tire Data Chart – C/K 10000 Pickups	52, 53
--	--------

REAR AXLE/TIRE DATA

Rear Axle Tire Data Drawing – C/K 10000 Pickups.....	54
--	----

Rear Axle Tire Data Chart – C/K 10000 Pickups	55, 56
---	--------

FUEL SYSTEMS

C/K 10703	57
-----------------	----

C/K 10903/53 Pickups	58
----------------------------	----

C/K 10753 and C/K 10543 Pickups.....	59
--------------------------------------	----

EXHAUST SYSTEMS

C/K 100 (00) w/LU3 (4.3L V6)	60
------------------------------------	----

C/K 100 (00) w/L20 (4.8L V8)	61
------------------------------------	----

C/K 100 (00) w/LMG, LC9 & (5.3L V6)	62
---	----

C/K 100 (00) w/LZ1 Hybrid (6.0L V8)	63
---	----

FULL SIZE C/K LD PICKUPS

Model Symbol Chart

MARKETS (Optional)	ENGINEERING MODEL	REGULAR CABS (03) 2 DOOR CHEVROLET / GMC			EXTENDED CABS (53) 4 DOOR CHEVROLET / GMC			CREW CABS (43) 4 DOOR CHEVROLET / GMC		GVWR (kg/lbs)	WHEELBASE (mm/in)	CAB-TO-AXLE (mm/in)
	C105							+ E63 5' 8" Box	3084/6800 & 3221/7100	3645/143.5	825.5/32.5	
									2903/6400 & 2994/6600	3401/133.9	831.4/32.73	
	C107	+ E63 6.5' Box							2903/6400	3023/119.0	1067/42	
						+ E63 6.5' Box			2903/6400 & 3084/6800 & 3175/7000	3645/143.5	1067/42	
	C109	+ E63 8' Box							2903/6400	3378/133.0	1422/56	
						+ E63 8' Box			3130/6900	4000/157.5	1067/42	
	K105							+ E63 5' 8" Box	3175/7000 & 3311/7300	3647/143.5	825.5/32.5	
									3081/6800	3401/133.9	831.4/32.73	
	K107	+ E63 6.5' Box							2903/6400	3023/119.0	1067/42	
						+ E63 6.5' Box			3175/7000 & 3266/7200	3647/143.5	1067/42	
	K109	+ E63 8' Box							2903/6400 & 3084/6800	3378/133.0	1422/56	
						+ E63 8' Box			3175/7000	4000/157.5	1422/56	

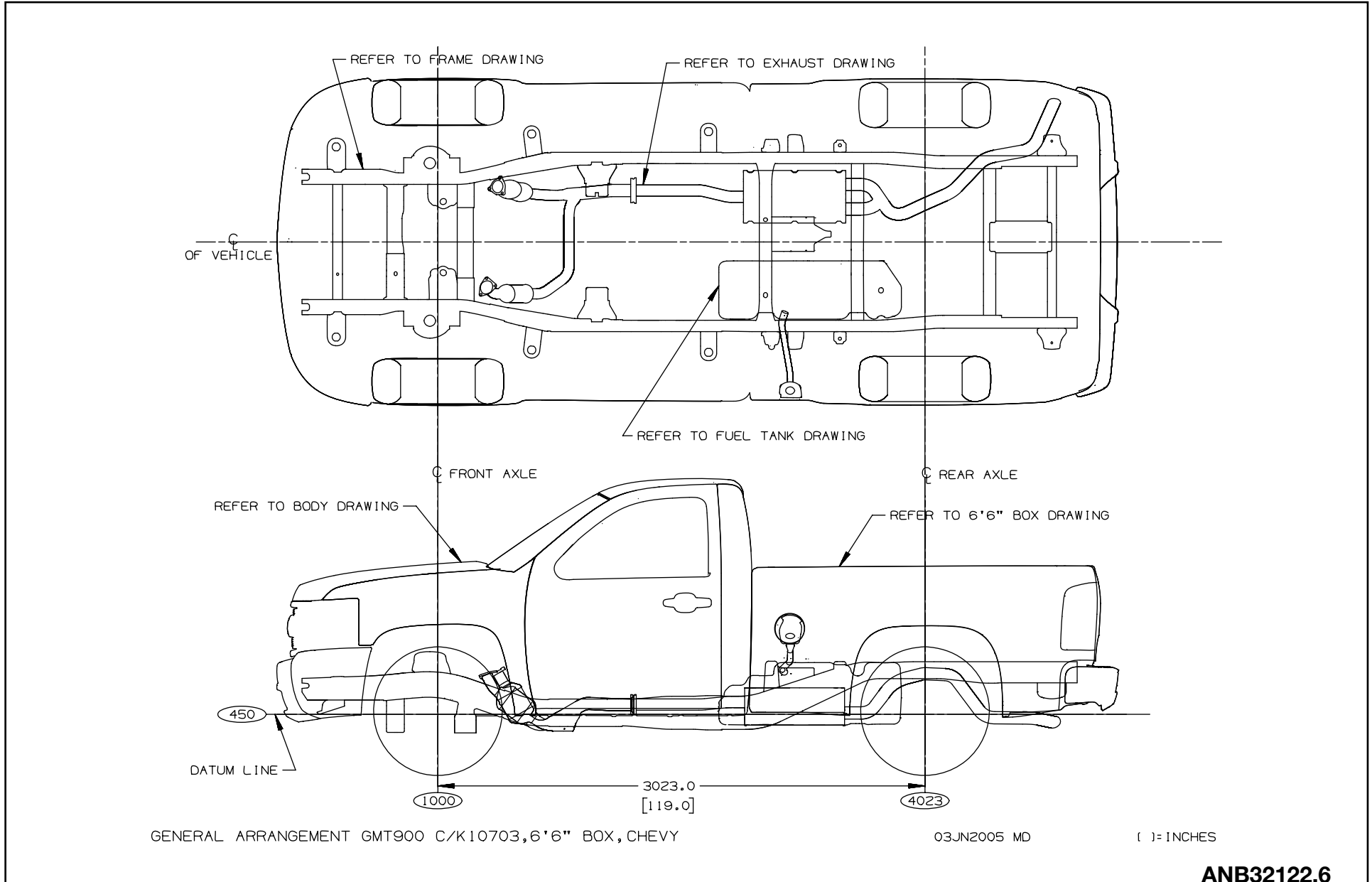
E63 – Fleetside / Wideside Box (5' 8", 6.5' and 8' Boxes)

ZW9 – Chassis Cab

EXAMPLE: C10903 = 2 DOOR REGULAR CAB / FLEETSIDE/WIDESIDE / 8' BOX

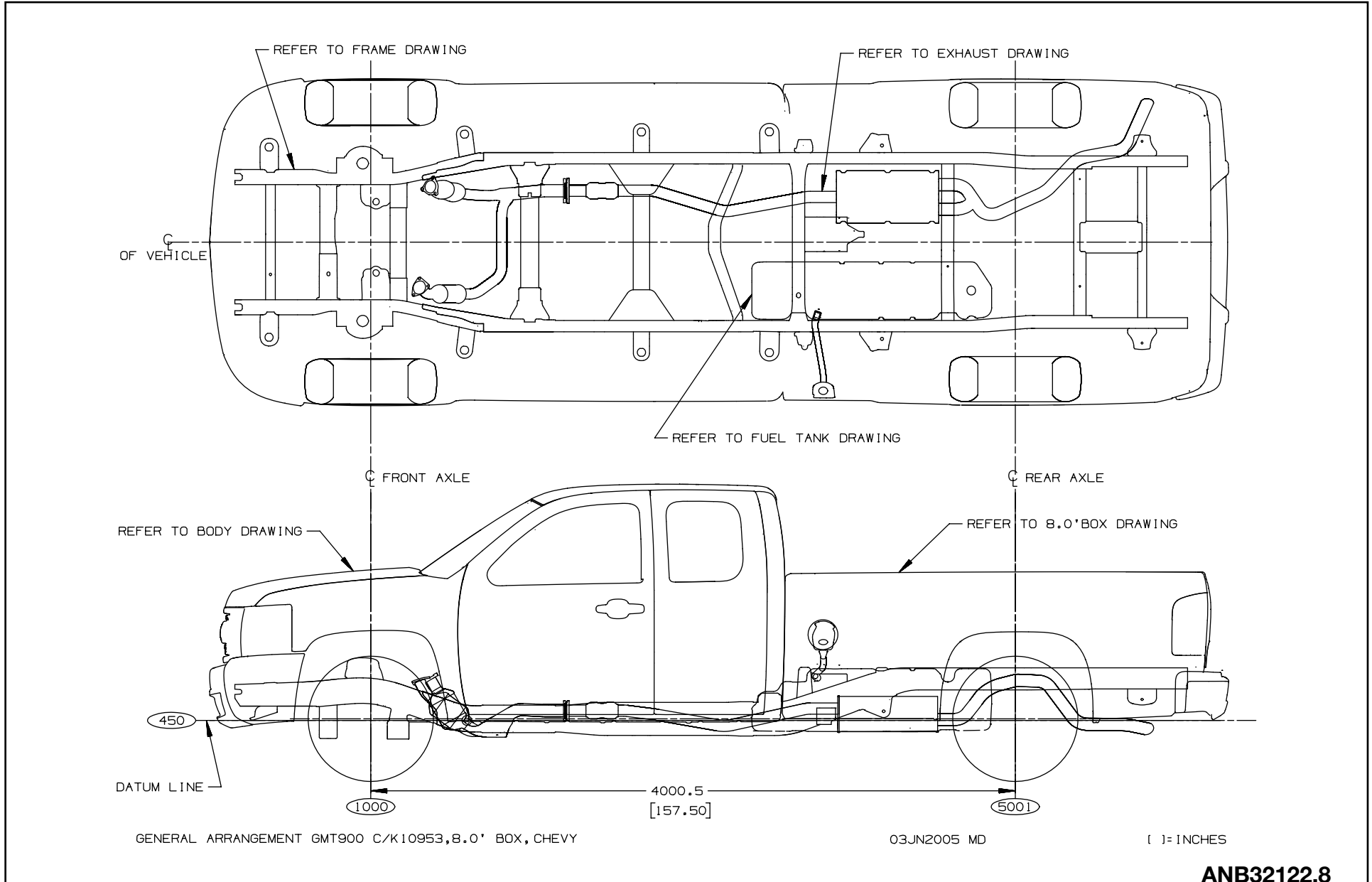
FULL SIZE C/K LD PICKUPS

Regular Cab – General Arrangement



FULL SIZE C/K LD PICKUPS

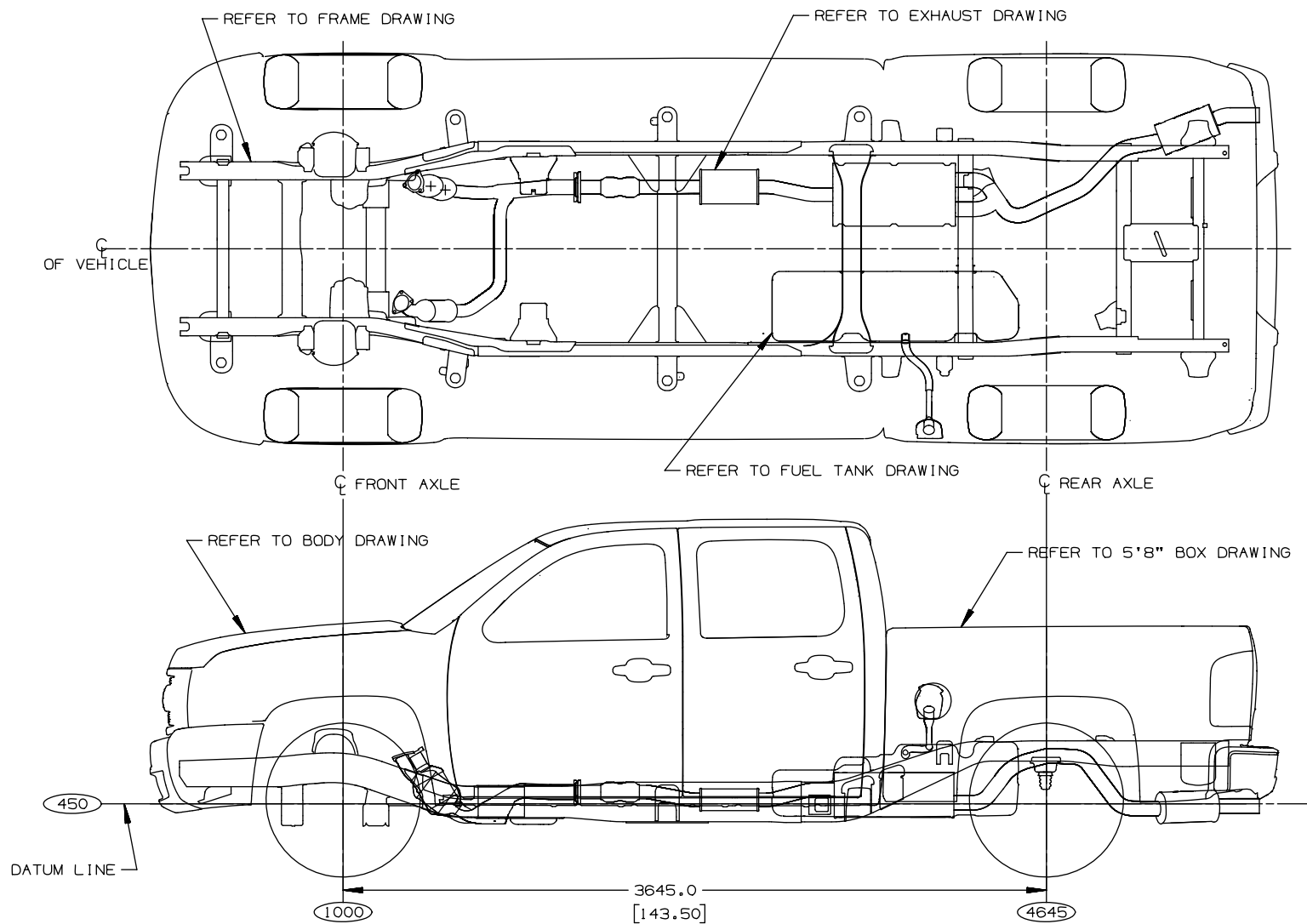
Extended Cab – General Arrangement



ANB32122.8

FULL SIZE C/K LD PICKUPS

Crew Cab – General Arrangement



GENERAL ARRANGEMENT GMT900 C/K10543, 5'8" BOX, CHEVY

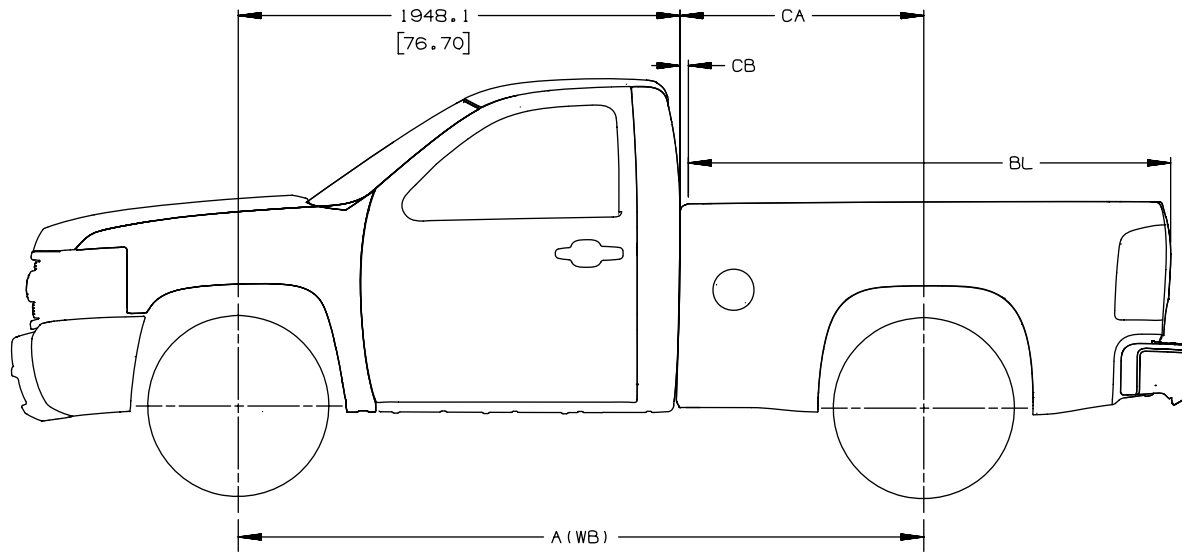
03JN2005 MD

[] = INCHES

ANB32122.7

FULL SIZE C/K LD PICKUPS

Body/Cargo Weight Distribution – Pickups – 6' 6"



MODEL	A (WB)	CA	CB	BL	BODY/CARGO WEIGHT DISTRIBUTION	
					% FRONT AXLE	% REAR AXLE
CK10703	3023.0 (119.0)	1075.3 (42.33)	25.4 (1.0)	2062.3 (81.2)	1	99
CK10753 CK20753	3645.0 (143.5)	1063.4 (41.86)	25.4 (1.0)	2062.3 (81.2)	1	99

NOTE: DIMENSIONS SHOWN ARE NOMINAL.
 CA=CAB TO REAR AXLE DIMENSION
 CB=BODY CLEARANCE BETWEEN BODY AND CAB
 BL=BOX LENGTH
 A(WB)=WHEELBASE

$$\frac{\text{CENTER OF GRAVITY OF PAYLOAD TO REAR AXLE}}{\text{WHEELBASE}} \times 100 = \% \text{ BODY PAYLOAD AT FRONT AXLE}$$

$$\frac{\text{CA} - \text{CB} - (\text{BL}/2)}{\text{A(WB)}} \times 100 = \% \text{ BODY PAYLOAD AT FRONT AXLE}$$

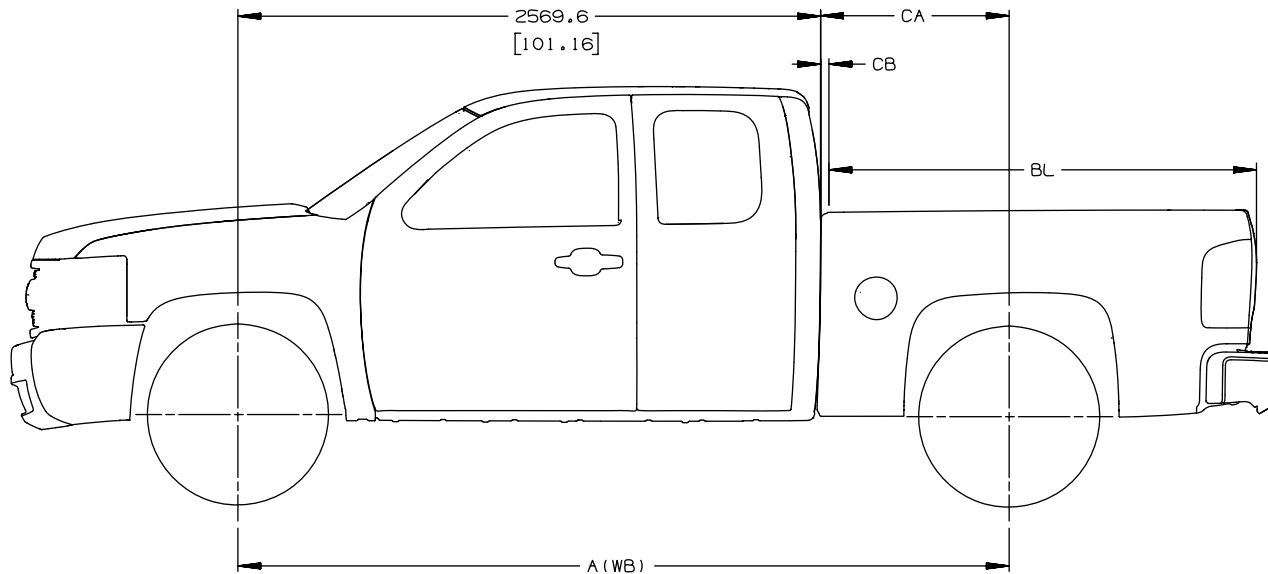
GMT900 BODY/CARGO WEIGHT DISTRIBUTION CK107207 03/43/53, 6'6" BOX, 2007/08

() = INCHES

ANC07766.3

FULL SIZE C/K LD PICKUPS

Body/Cargo Weight Distribution – Pickups – 5' 8"



MODEL	A (WB)	CA	CB	BL	BODY/CARGO WEIGHT DISTRIBUTION	
					% FRONT AXLE	% REAR AXLE
CK10543	3645.0 (143.5)	831.4 (32.73)	25.4 (1.0)	1885.4 (74.23)	-4	104

NOTE: DIMENSIONS SHOWN ARE NOMINAL.
 CA=CAB TO REAR AXLE DIMENSION
 CB=BODY CLEARANCE BETWEEN BODY AND CAB
 BL=BODY (BOX) LENGTH
 A (WB)=WHEELBASE

$$\frac{\text{CENTER OF GRAVITY OF PAYLOAD TO REAR AXLE}}{\text{WHEELBASE}} \times 100 = \% \text{ BODY PAYLOAD AT FRONT AXLE}$$

$$\frac{\text{CA-CB-(BL/2)}}{\text{A (WB)}} \times 100 = \% \text{ BODY PAYLOAD AT FRONT AXLE}$$

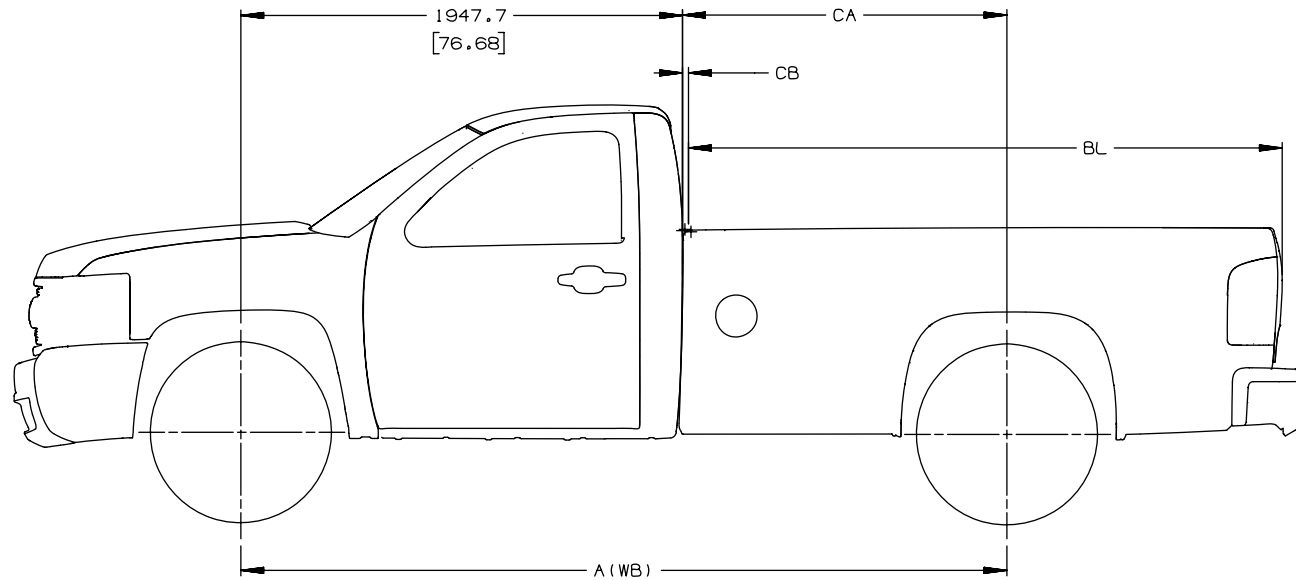
GMT900 BODY/CARGO WEIGHT DISTRIBUTION CK10543/53, 5'8" BOX, 2007/08

() = INCHES

ANC07766.4

FULL SIZE C/K LD PICKUPS

Body/Cargo Weight Distribution – Pickups – 8'



MODEL	A (WB)	CA	CB	BL	BODY/CARGO WEIGHT DISTRIBUTION	
					% FRONT AXLE	% REAR AXLE
CK10903	3378.0 (133.0)	1430.7 (56.32)	25.4 (1.0)	2616.8 (103.02)	3	97
CK10953	4000.5 (157.5)	1430.7 (56.32)	25.4 (1.0)	2616.8 (103.02)	3	97

NOTE: DIMENSIONS SHOWN ARE NOMINAL.
 CA=CAB TO REAR AXLE DIMENSION
 CB=BODY CLEARANCE BETWEEN BODY AND CAB
 BL=BOX LENGTH
 A(WB)=WHEELBASE

$$\frac{\text{CENTER OF GRAVITY OF PAYLOAD TO REAR AXLE}}{\text{WHEELBASE}} \times 100 = \% \text{ BODY PAYLOAD AT FRONT AXLE}$$

$$\frac{\text{CA} - \text{CB} - (\text{BL}/2)}{\text{A (WB)}} \times 100 = \% \text{ BODY PAYLOAD AT FRONT AXLE}$$

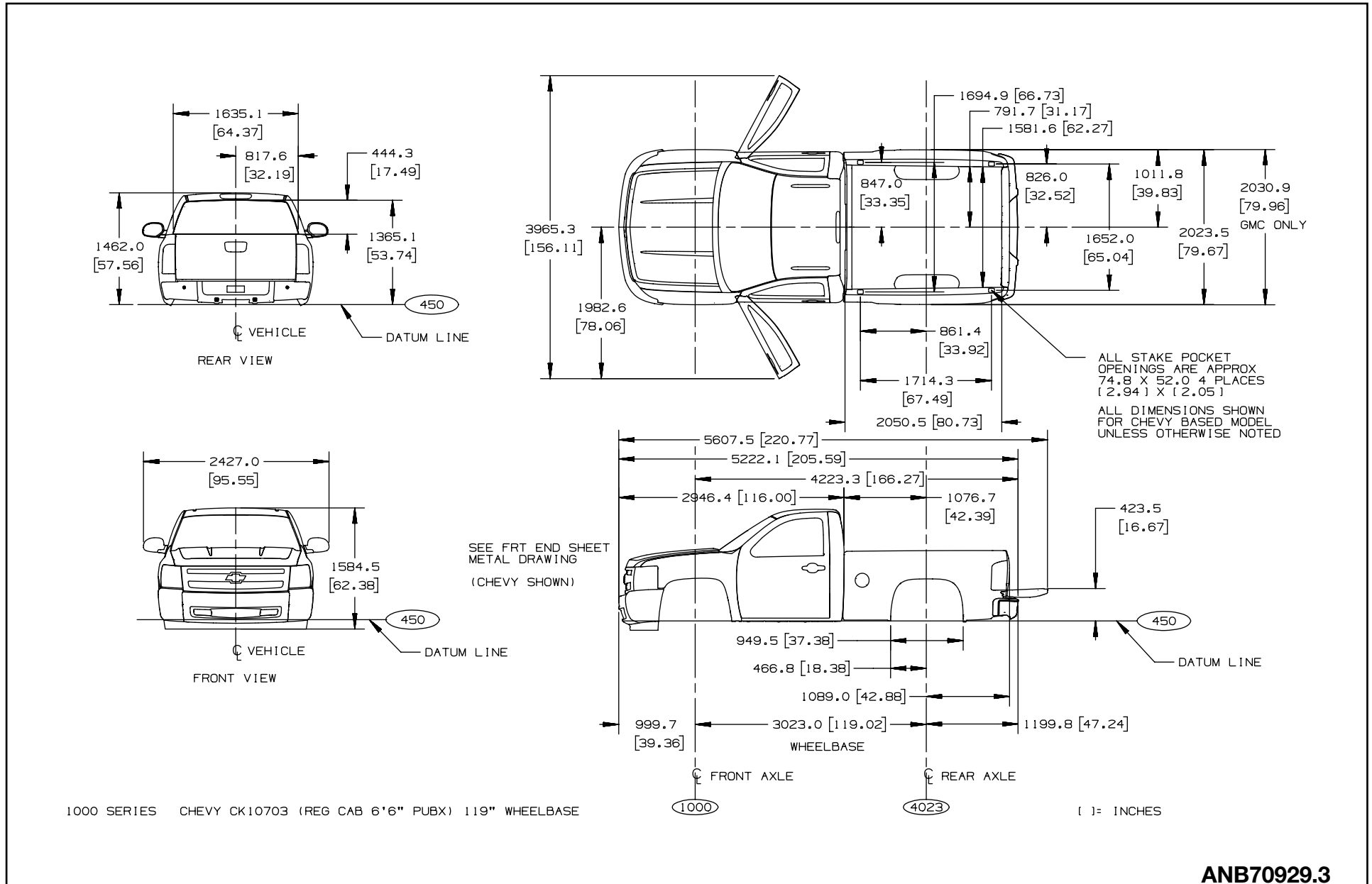
GMT900 BODY/CARGO WEIGHT DISTRIBUTION CK109209309 03/43/53,8.0' BOX,2007/08

()=INCHES

ANC07766.5

FULL SIZE C/K LD PICKUPS

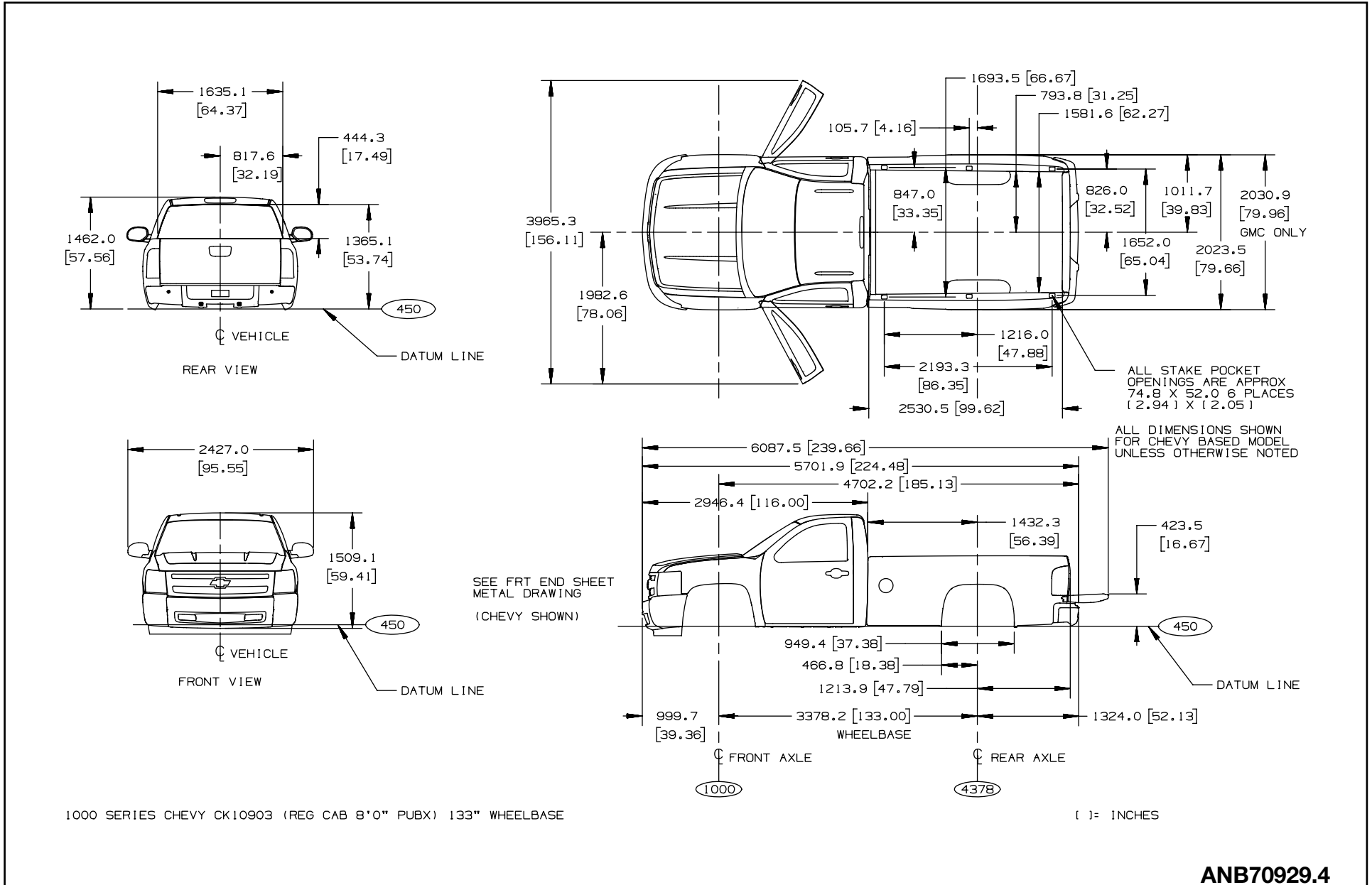
C/K 10703, Regular Cab 6' 6" Box – Body General Arrangement



ANB70929.3

FULL SIZE C/K LD PICKUPS

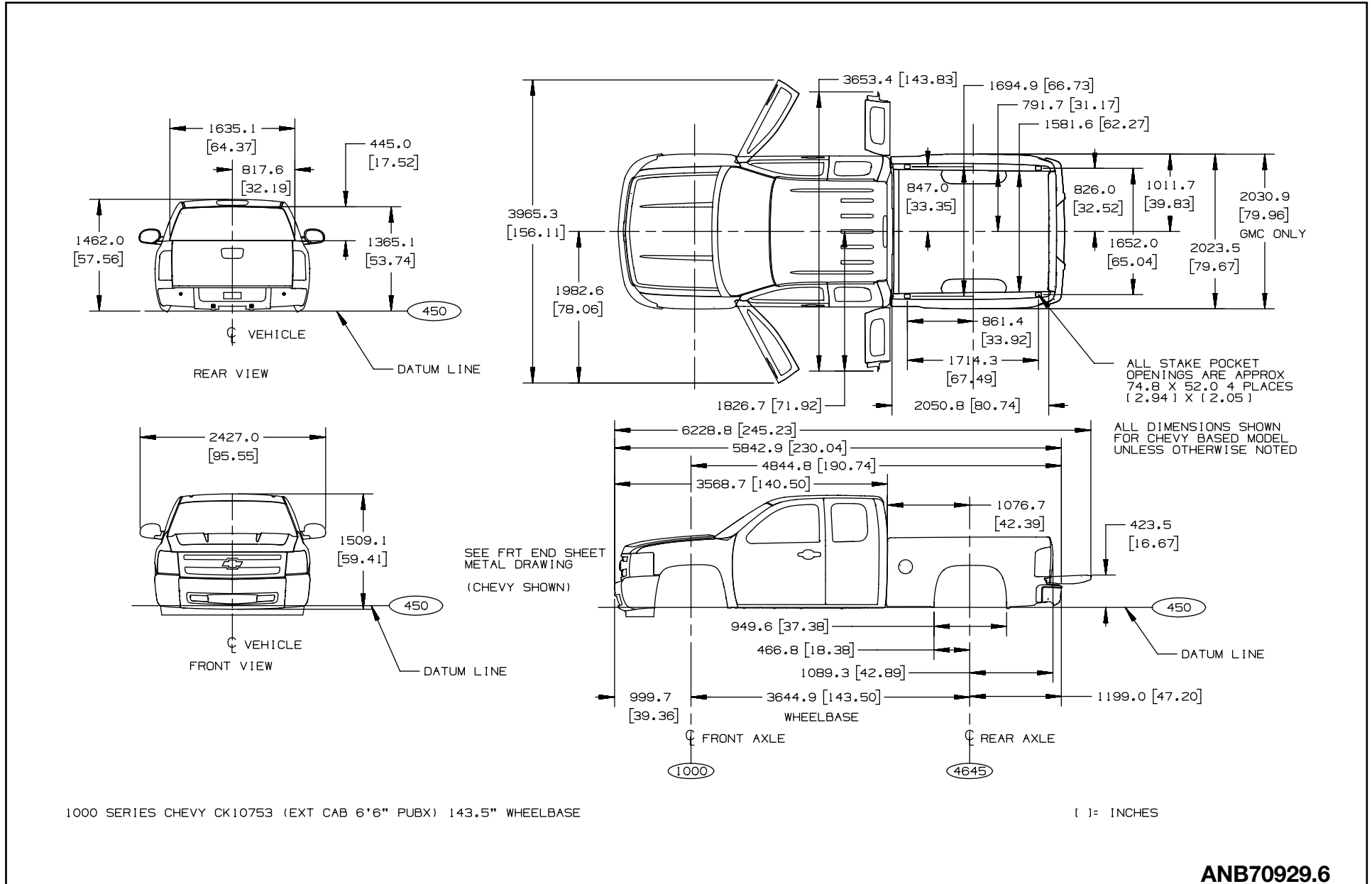
C/K 10903, Regular Cab 8' Box – Body General Arrangement



ANB70929.4

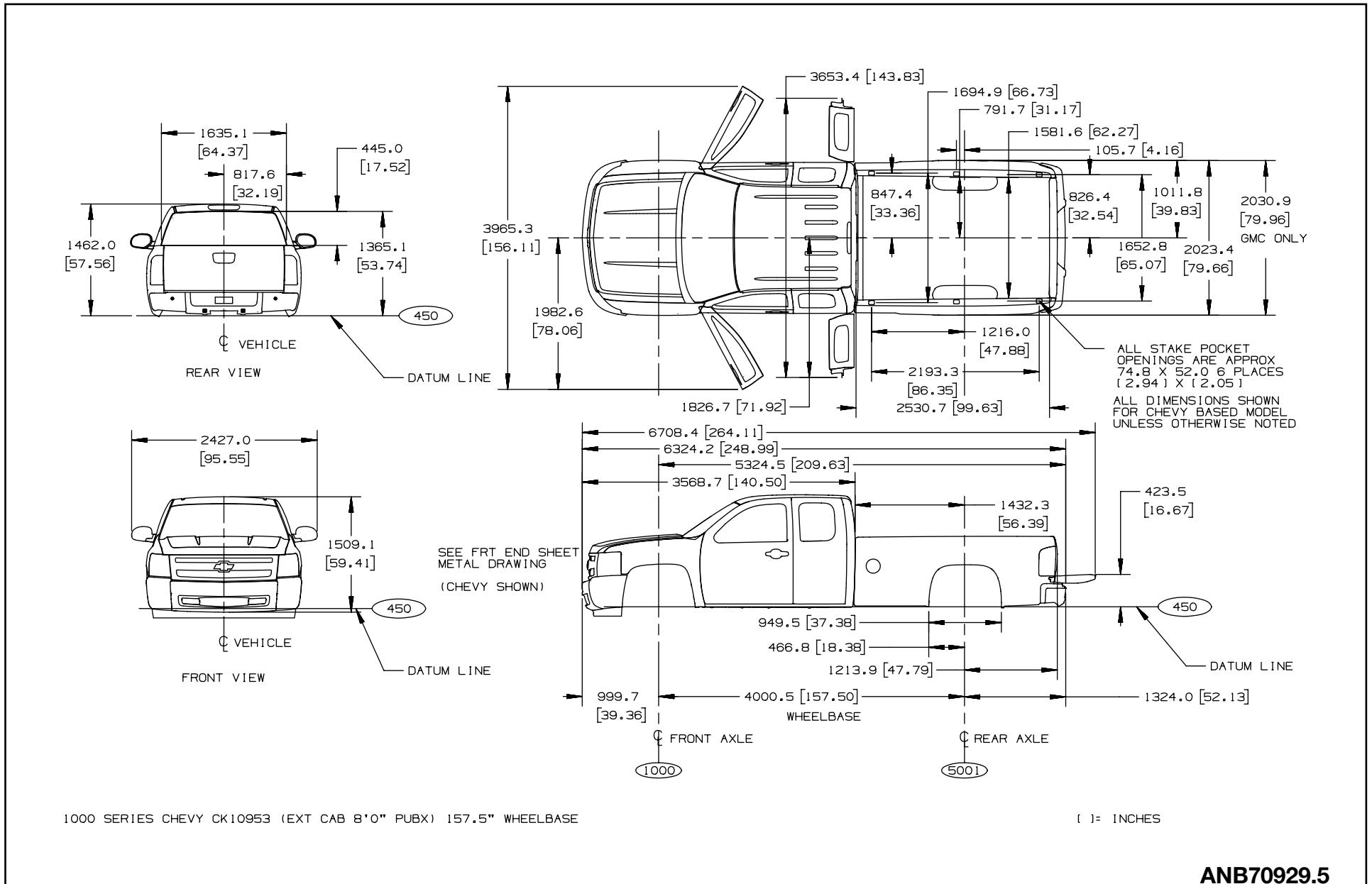
FULL SIZE C/K LD PICKUPS

C/K 10753, Extended Cab 6' 6" Box – Body General Arrangement



FULL SIZE C/K LD PICKUPS

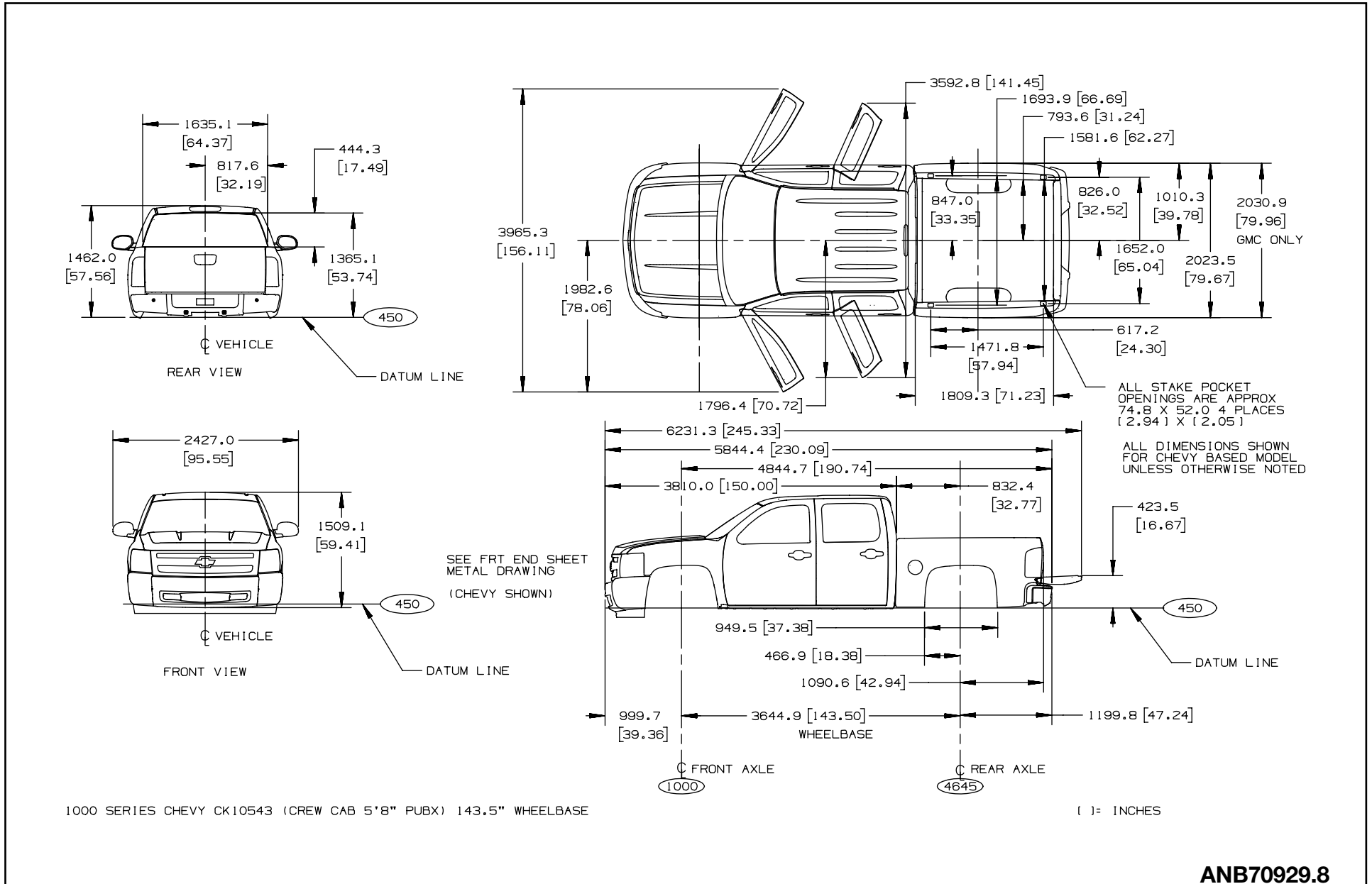
C/K 10953, Extended Cab 8' Box – Body General Arrangement



ANB70929.5

FULL SIZE C/K LD PICKUPS

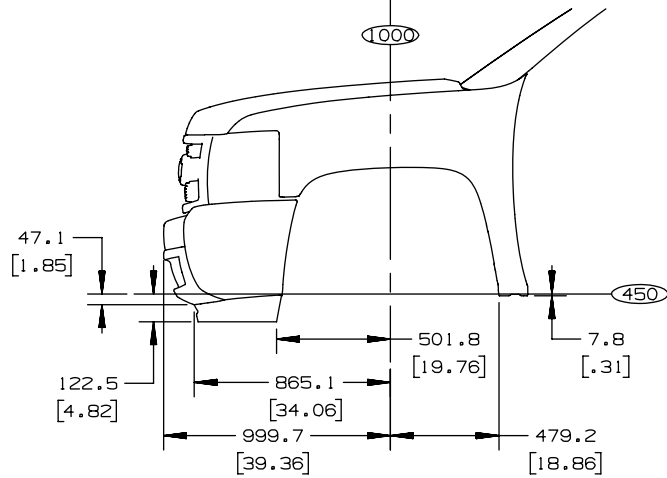
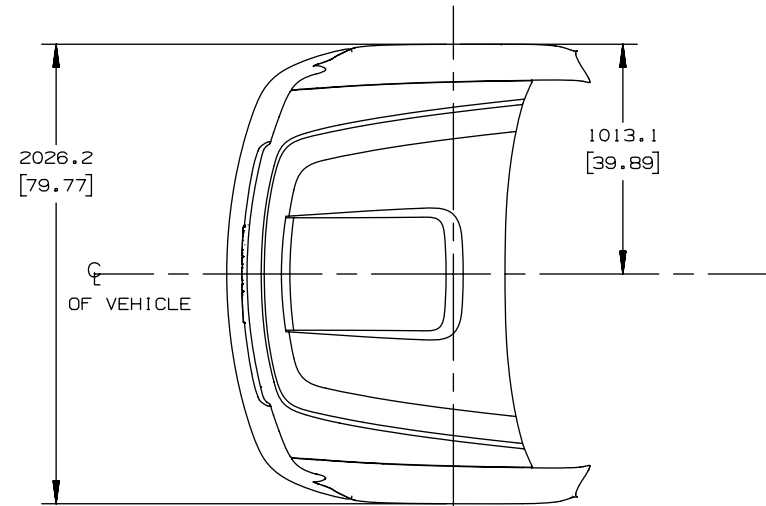
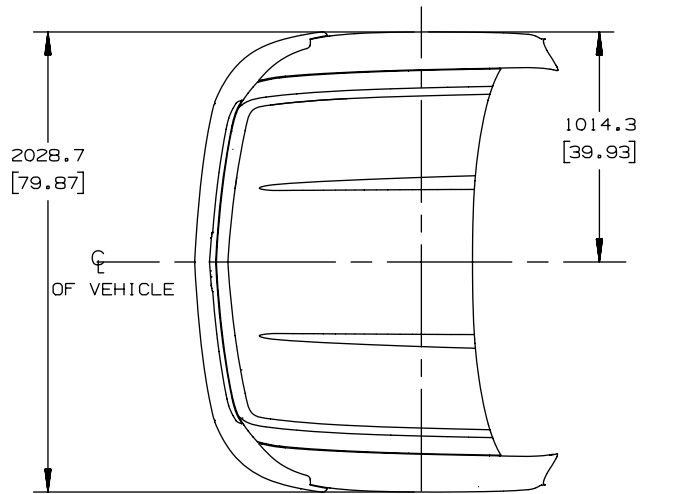
C/K 10543, Crew Cab 5' 8" Box – Body General Arrangement



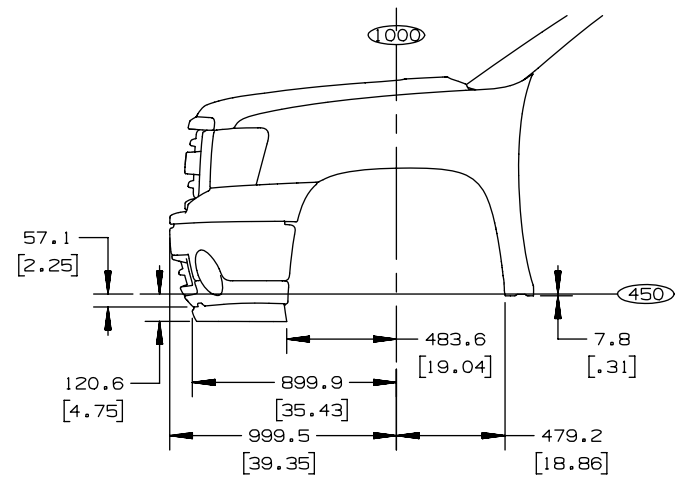
ANB70929.8

FULL SIZE C/K LD PICKUPS

C/K 100 (03/53/43) – Front End Clips



X88: CHEVROLET C/K 100 03/43/53
GMT900 2007 C/K 100 03/43/53



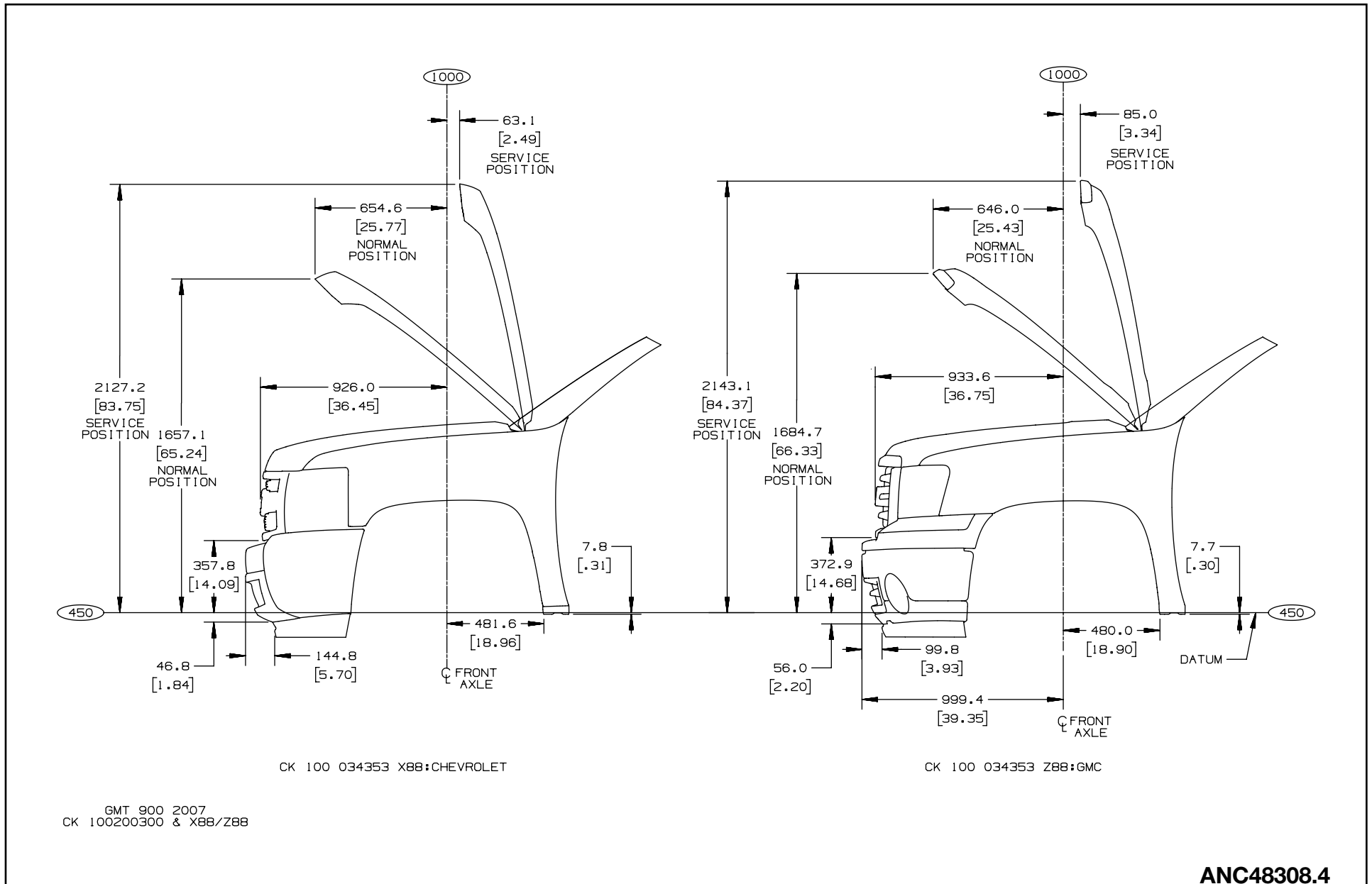
Z88: GMC C/K 100 03/43/53

[] = INCHES

ANB43157.4

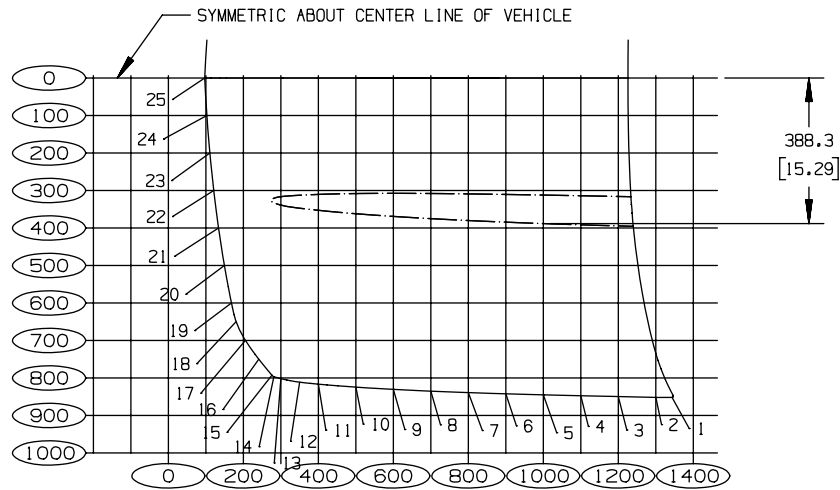
FULL SIZE C/K LD PICKUPS

C/K 100 (03/53/43) – Hood Openings



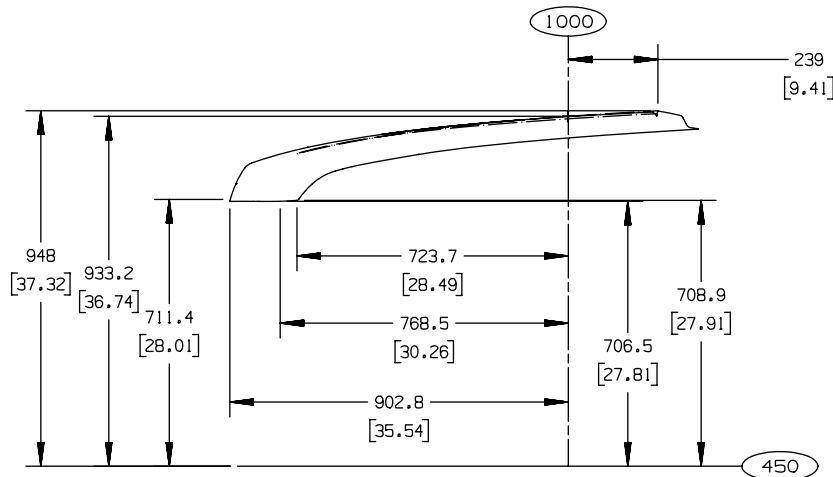
FULL SIZE C/K LD PICKUPS

Chevy X88 – C/K 100 (03/53/43) – Hood Profiles



PT. #	LENGTH	WIDTH
1	1343.3	851.9
2	1300.0	851.5
3	1200.0	849.5
4	1100.0	847.4
5	1000.0	845.0
6	900.0	842.3
7	800.0	839.1
8	700.0	835.3
9	600.0	830.4
10	500.0	824.5
11	400.00	816.6
12	350.0	811.5
13	300.0	801.9
14	281.3	796.7
15	276.0	792.6
16	241.1	750.0
17	205.2	700.0
18	180.4	650.0
19	168.3	600.0
20	149.4	500.0
21	133.8	400.0
22	121.0	300.0
23	110.6	200.0
24	102.6	100.0
25	96.9	0.0

DRIVER SIDE COORDINATES

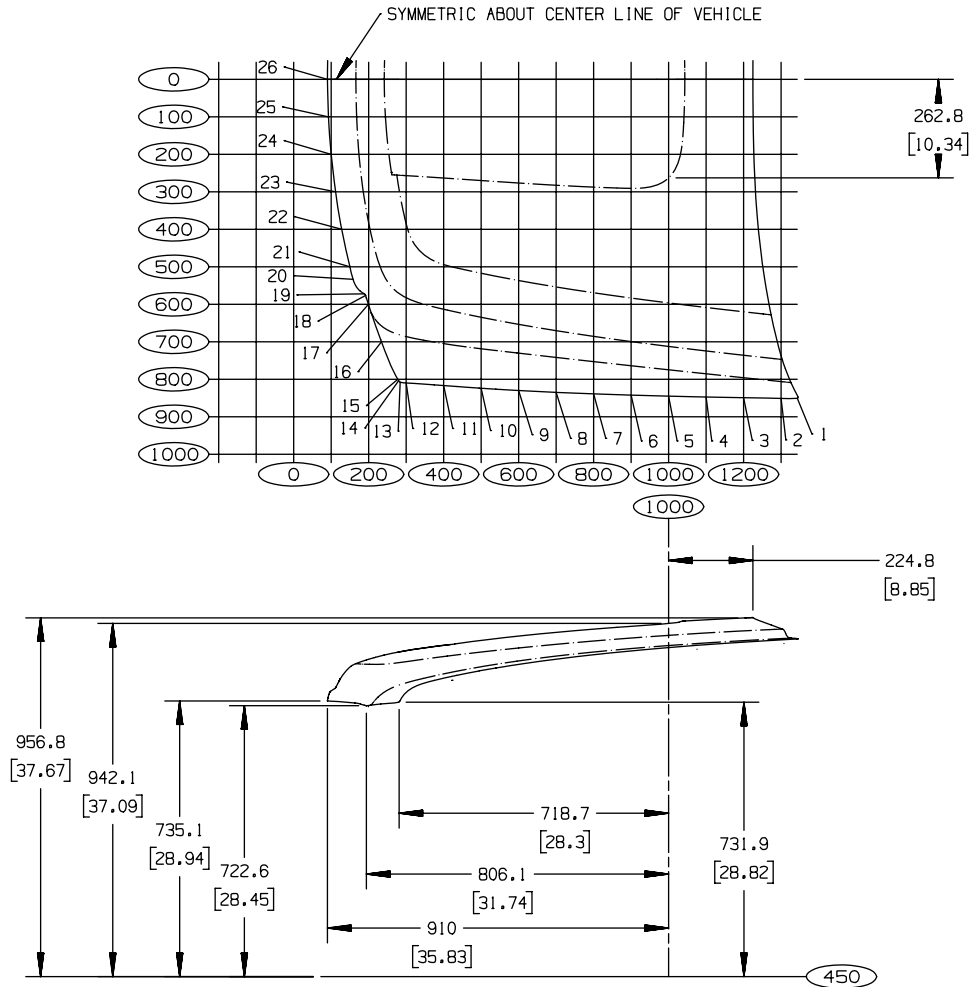


GMT900 HOOD PROFILE X88 (CHEV) 2007 C/K 100 034353

ANB49774.4

FULL SIZE C/K LD PICKUPS

GMC Z88 – C/K 100/200 (03/53/43) – Hood Profiles



PT. #	LENGTH	WIDTH
1	1343.2	850.7
2	1300.0	850.6
3	1200.0	849.1
4	1100.0	847.2
5	1000.0	845.0
6	900.0	842.2
7	800.0	838.8
8	700.0	834.8
9	600.0	829.9
10	500.0	823.9
11	400.0	816.7
12	300.0	809.4
13	284.0	808.0
14	280.0	803.7
15	277.7	800.0
16	234.2	700.0
17	199.3	600.0
18	191.9	576.3
19	188.4	572.1
20	158.8	533.4
21	150.0	500.0
22	128.3	400.0
23	111.5	300.0
24	99.6	200.0
25	92.4	100.0
26	90.0	0.0

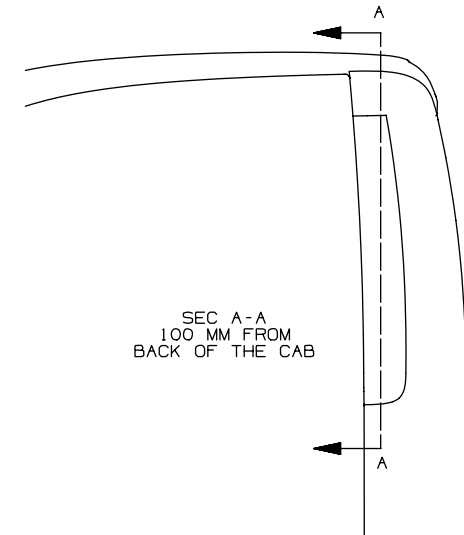
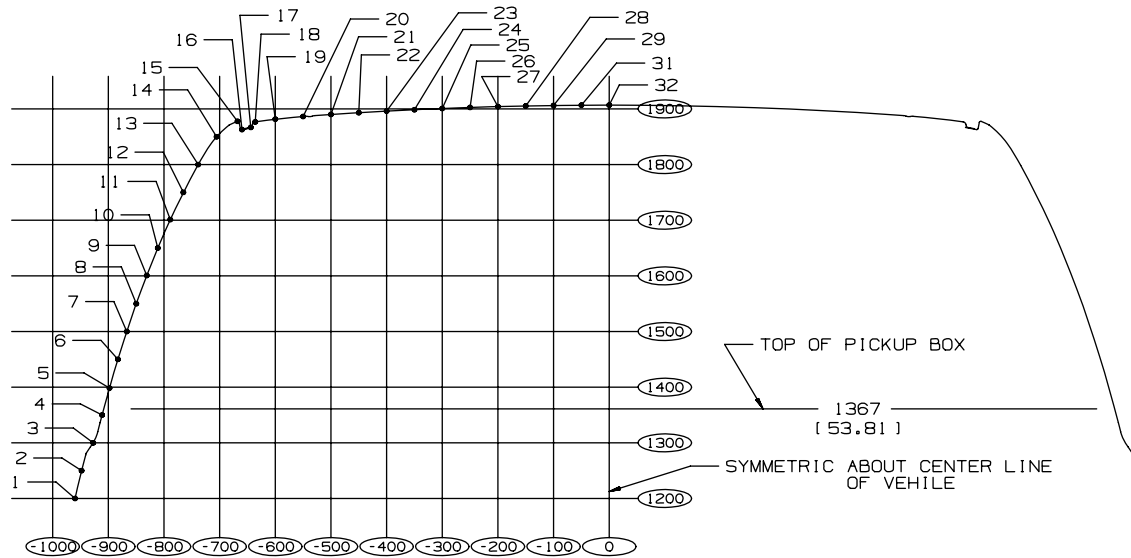
DRIVER SIDE COORDINATES

GMT900 HOOD PROFILE Z88 (GMC) 2007 C/K 100/200

ANB49774.6

Rear Back of Cab Silhouette – Pickups

NOMINAL BACK OF CAB COORDINATES FOR
03 REG CAB / 53 EXT CAB / 43 CREW CAB



DRIVER SIDE COORDINATES

PT#	WIDTH	HEIGHT
1	-959.77	1200.00
2	-948.08	1250.00
3	-927.17	1300.00
4	-911.21	1350.00
5	-897.47	1400.00
6	-882.74	1450.00
7	-866.87	1500.00
8	-849.75	1550.00
9	-831.23	1600.00
10	-811.12	1650.00

PT#	WIDTH	HEIGHT
11	-789.20	1700.00
12	-765.19	1750.00
13	-738.54	1800.00
14	-705.51	1850.00
15	-668.36	1877.58
16	-659.89	1862.84
17	-644.05	1866.69
18	-636.02	1876.68
19	-600.00	1881.56
20	-550.00	1886.34

PT#	WIDTH	HEIGHT
21	-500.00	1890.02
22	-450.00	1893.19
23	-400.00	1896.03
24	-350.00	1898.55
25	-300.00	1900.74
26	-250.00	1902.60
27	-200.00	1904.12
28	-150.00	1905.31
29	-100.00	1906.15
30	-50.00	1906.66
31	00.00	1906.83

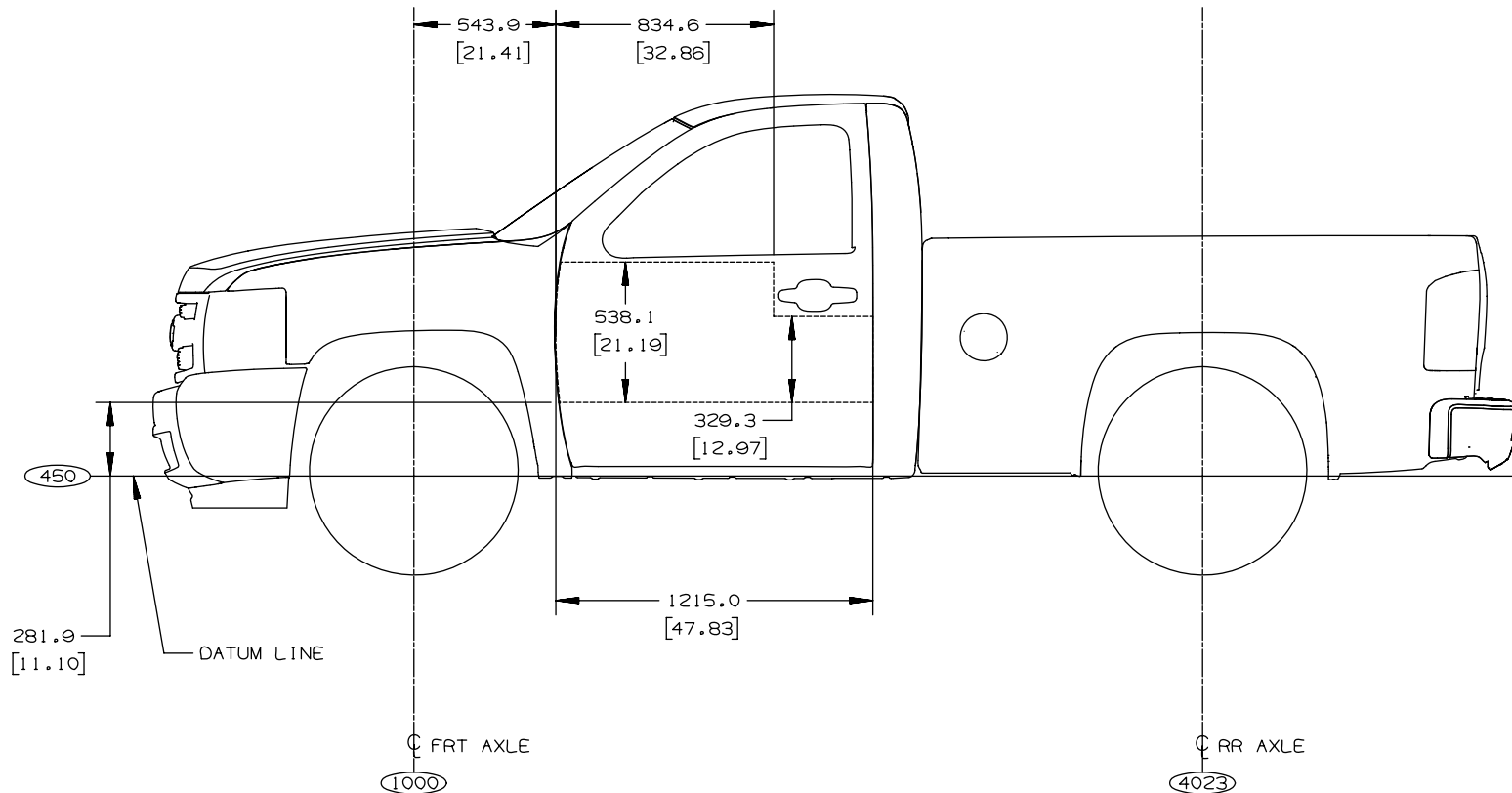
C/K 10703

() = INCHES

ANB56252

FULL SIZE C/K LD PICKUPS

Regular Cab Pickup – C/K 100/200/300 (03) – Sign Area



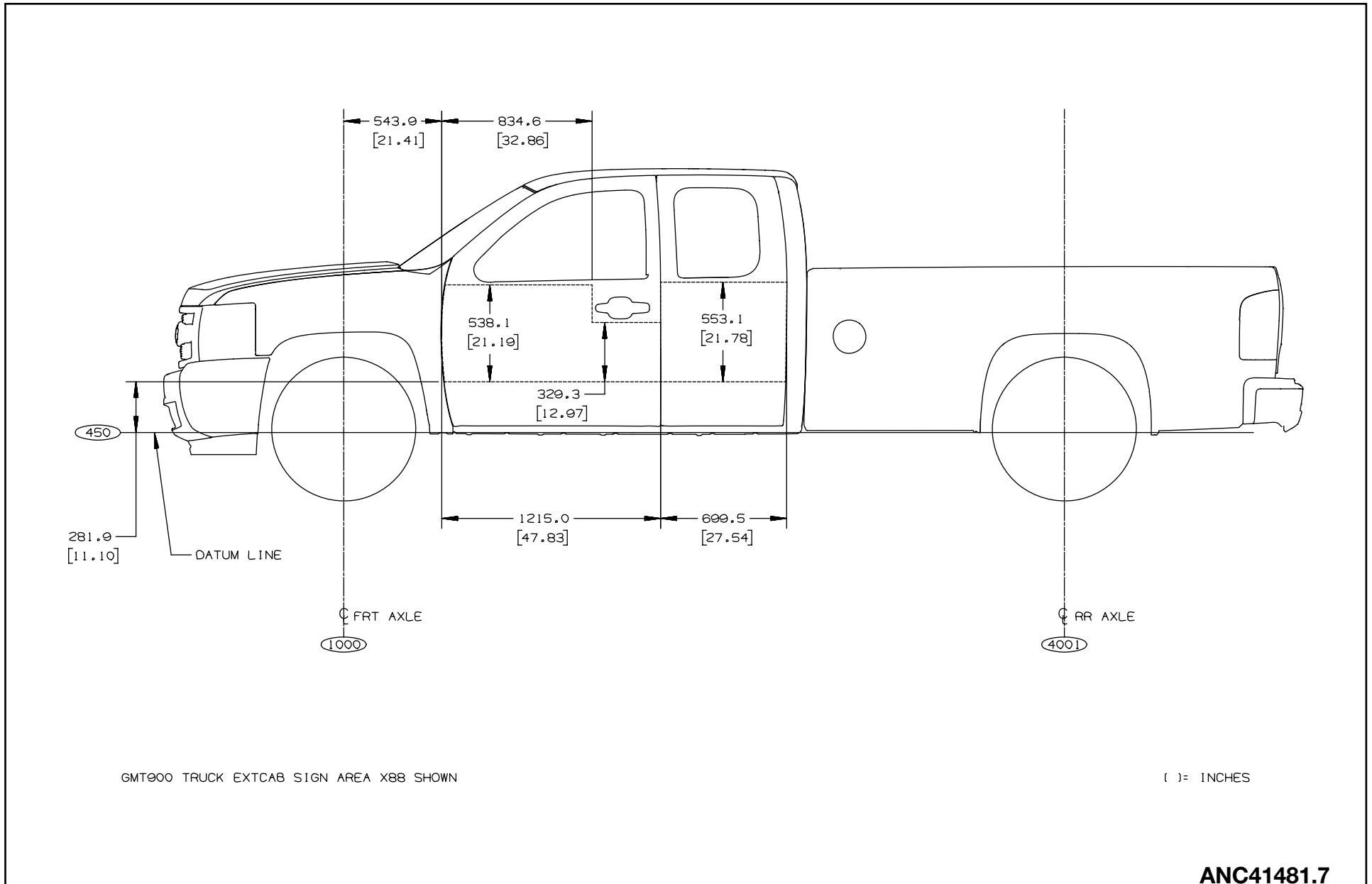
GMT900 TRUCK REGCAB SIGN AREA X88 SHOWN

() = INCHES

ANC41481.6

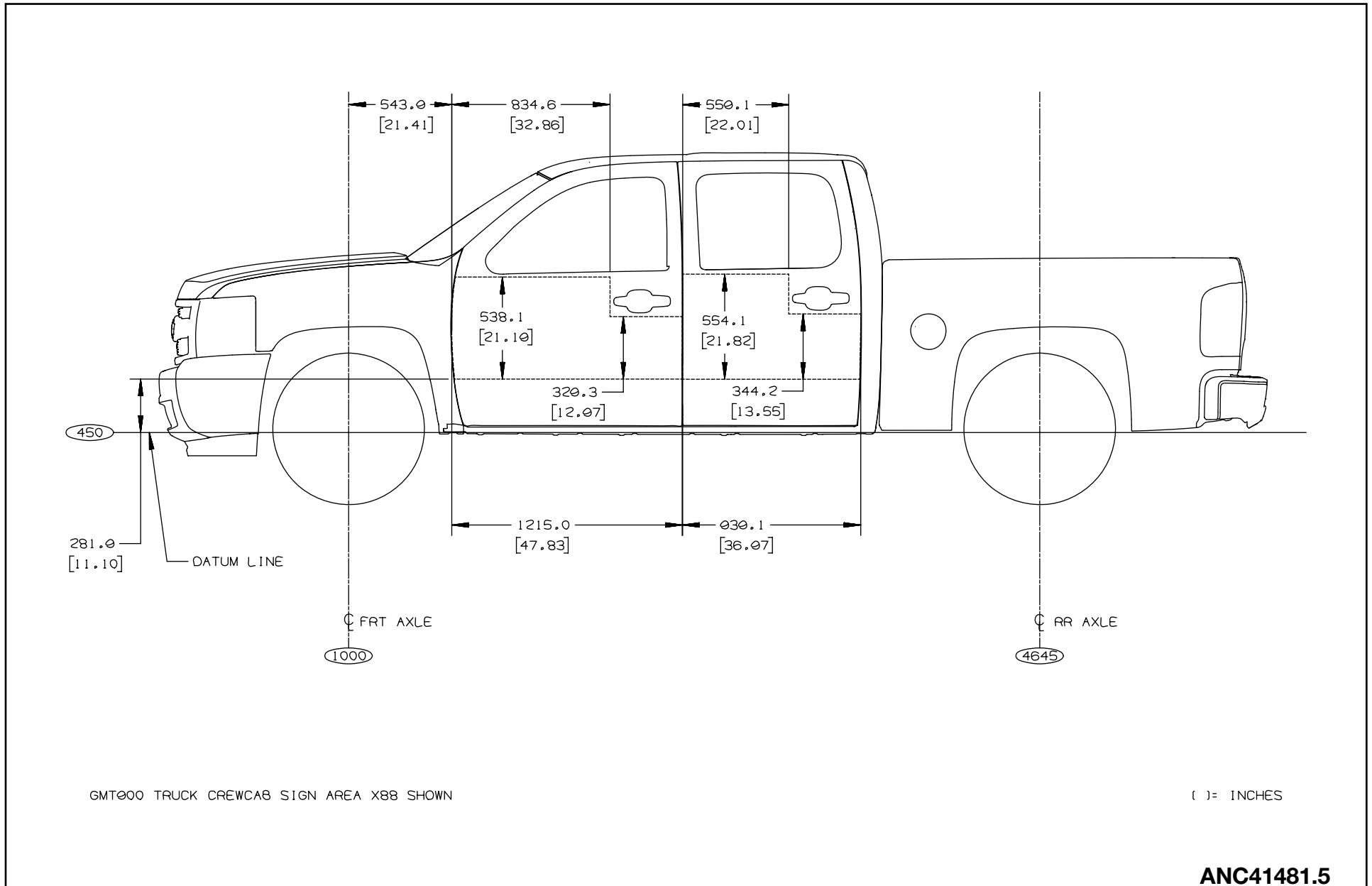
FULL SIZE C/K LD PICKUPS

Extended Cab Pickup – C/K 100/200/300 (53) – Sign Area



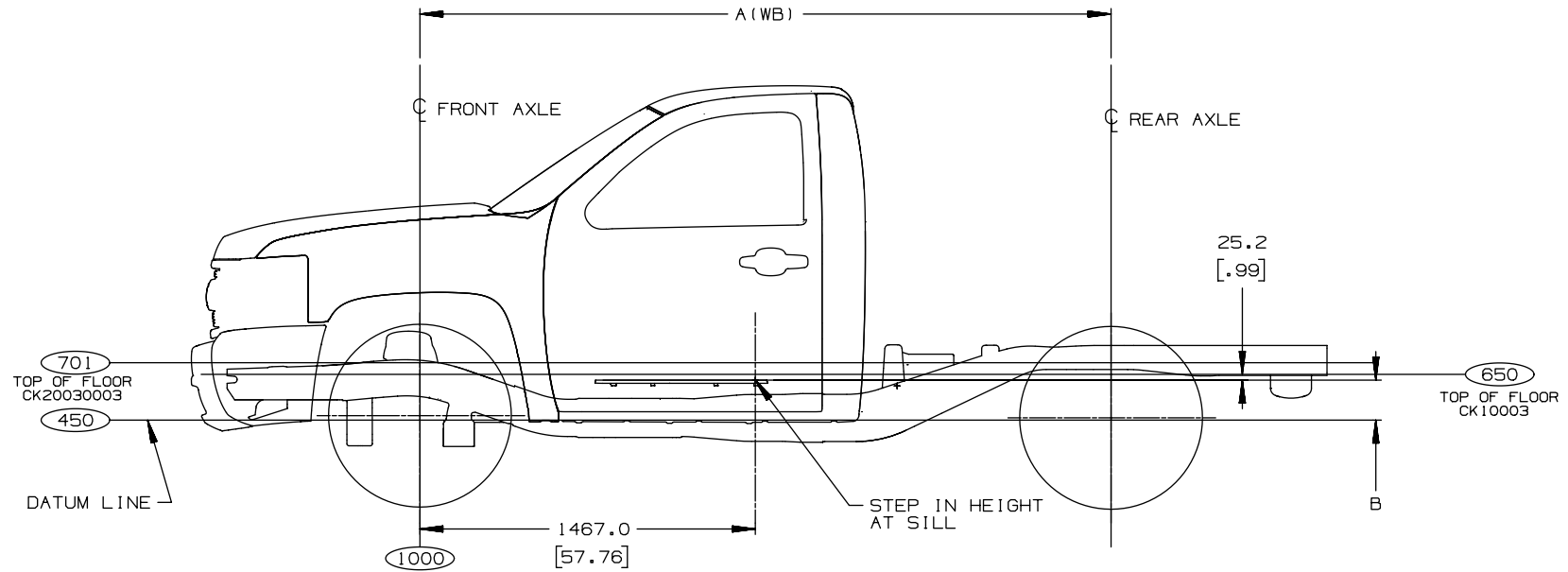
FULL SIZE C/K LD PICKUPS

Crew Cab Pickup – C/K 100/200/300 (43) – Sign Area



FULL SIZE C/K LD PICKUPS

Regular Cab (03) – Cab Step in Heights



ALL MATH DATA FOR CK10003, ABOVE THE FRAME ARE MOVED UP 51 MM TO OBTAIN THE DATA FOR CK200300 03 MODELS.

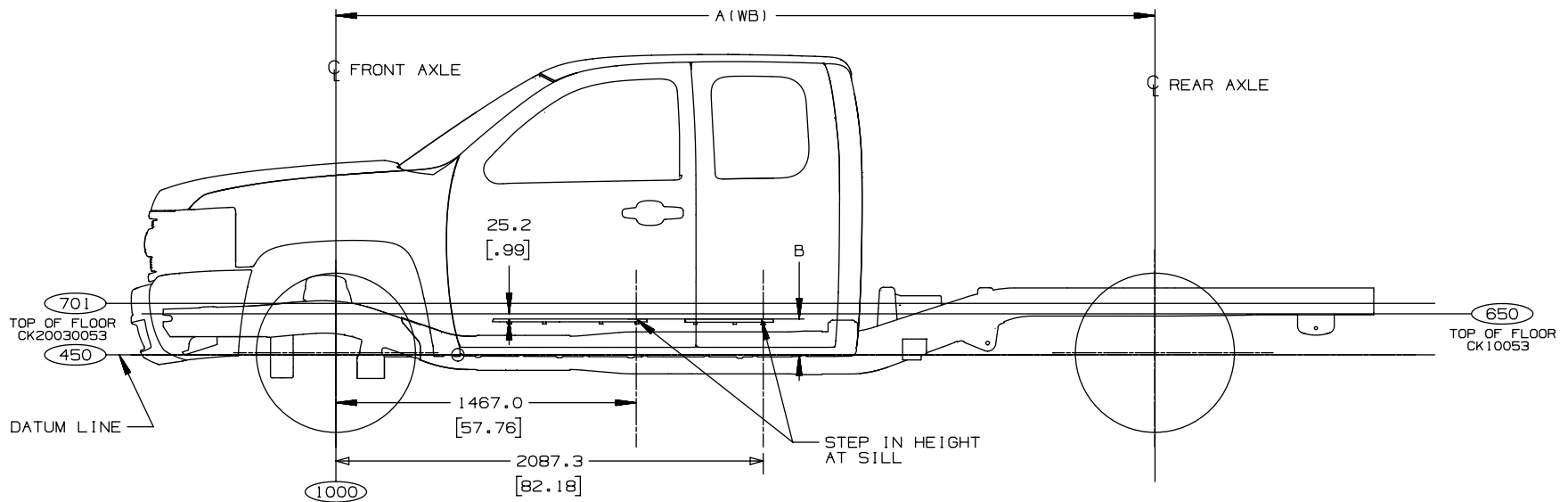
MODEL	A (WB)	B
CK10703	3023.0 [119.0]	174.8 [6.88]
CK10903	3378.0 [133.0]	174.8 [6.88]
CK20903HD	3378.0 [133.0]	225.8 [8.90]
CK30903	3378.0 [133.0]	225.8 [8.90]
CK31003	3480.0 [137.0]	225.8 [8.90]
CK31403	4102.0 [161.5]	225.8 [8.90]

GMT900 STEP IN HEIGHTS FOR CK100200300 03 2007/08

[] = INCHES

ANC10189.3

Extended Cab (53) – Cab Step in Heights



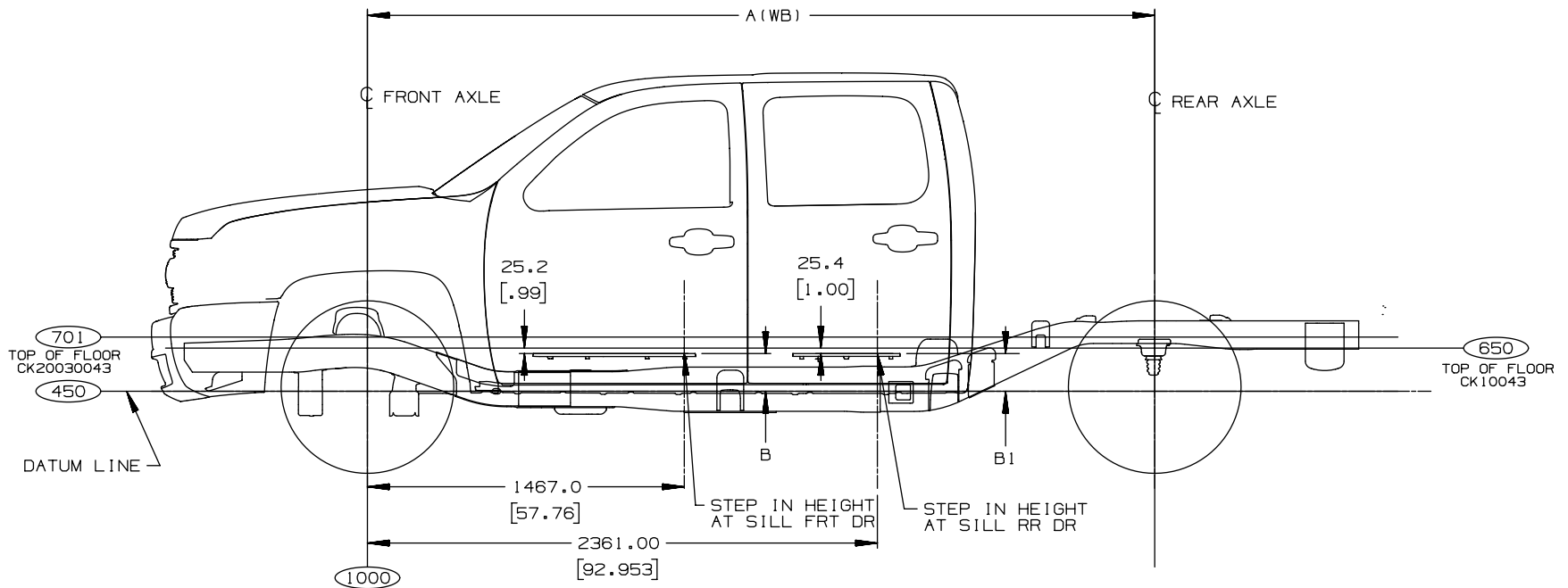
ALL MATH DATA FOR CK100 53, ABOVE THE FRAME ARE MOVED UP 51 MM TO OBTAIN THE DATA FOR CK200300 53 MODELS.

MODEL	A (WB)	B
CK10753	3645.0 [143.5]	174.8 [6.88]
CK10953	4000.5 [157.1]	174.8 [6.88]
CK20753HD	3645.0 [143.5]	225.8 [8.90]
CK20953HD	4000.5 [157.5]	225.8 [8.90]
CK30953	4000.5 [157.5]	225.8 [8.90]
CK31053	4102.0 [161.5]	225.8 [8.90]

GMT900 STEP IN HEIGHTS FOR CK100200300 53 2007/08

[] = INCHES

Crew Cab (43) – Cab Step in Heights



ALL MATH DATA FOR CK100 43, ABOVE THE FRAME ARE MOVED UP 51 MM TO OBTAIN THE DATA FOR CK200300 43 MODELS.

MODEL	A (WB)	B	B1
CK10543	3645.0 [143.5]	174.8 [6.88]	174.6 [6.88]
CK20743HD	3886.0 [153.0]	225.8 [8.90]	225.6 [8.90]
CK20943HD	4242.0 [167.0]	225.8 [8.90]	225.6 [8.90]
CK30943	4242.0 [167.0]	225.8 [8.90]	225.6 [8.90]

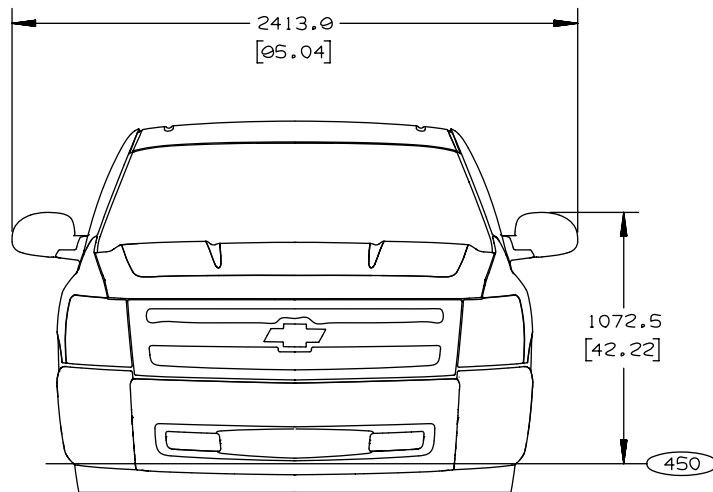
GMT900 STEP IN HEIGHTS FOR CK100200300 43 2007/08

[] = INCHES

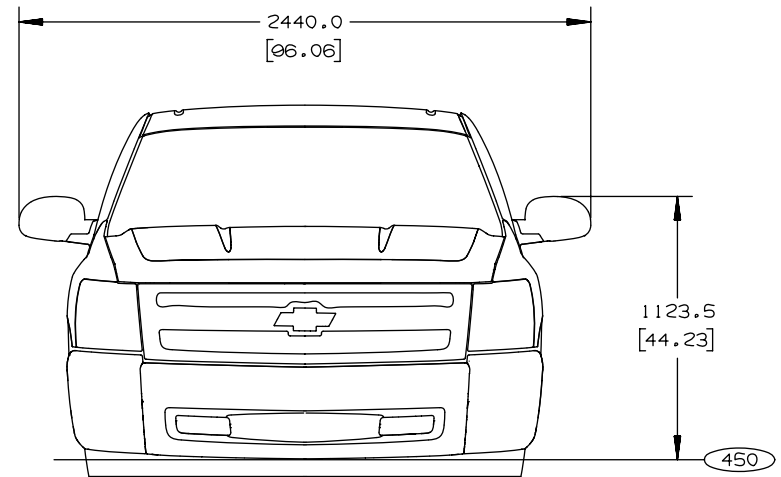
ANC10189.5

FULL SIZE C/K LD PICKUPS

C/K 1000, Option DL8 and C/K 2000, Option DE2 – Mirrors, Outside Rearview



*DL8 TRUCK 1000 SERIES



*DE2 TRUCK 2000/3000 SERIES

ALL DIMENSIONS SHOWN FOR CHEVY
BASE MODEL UNLESS OTHERWISE NOTED

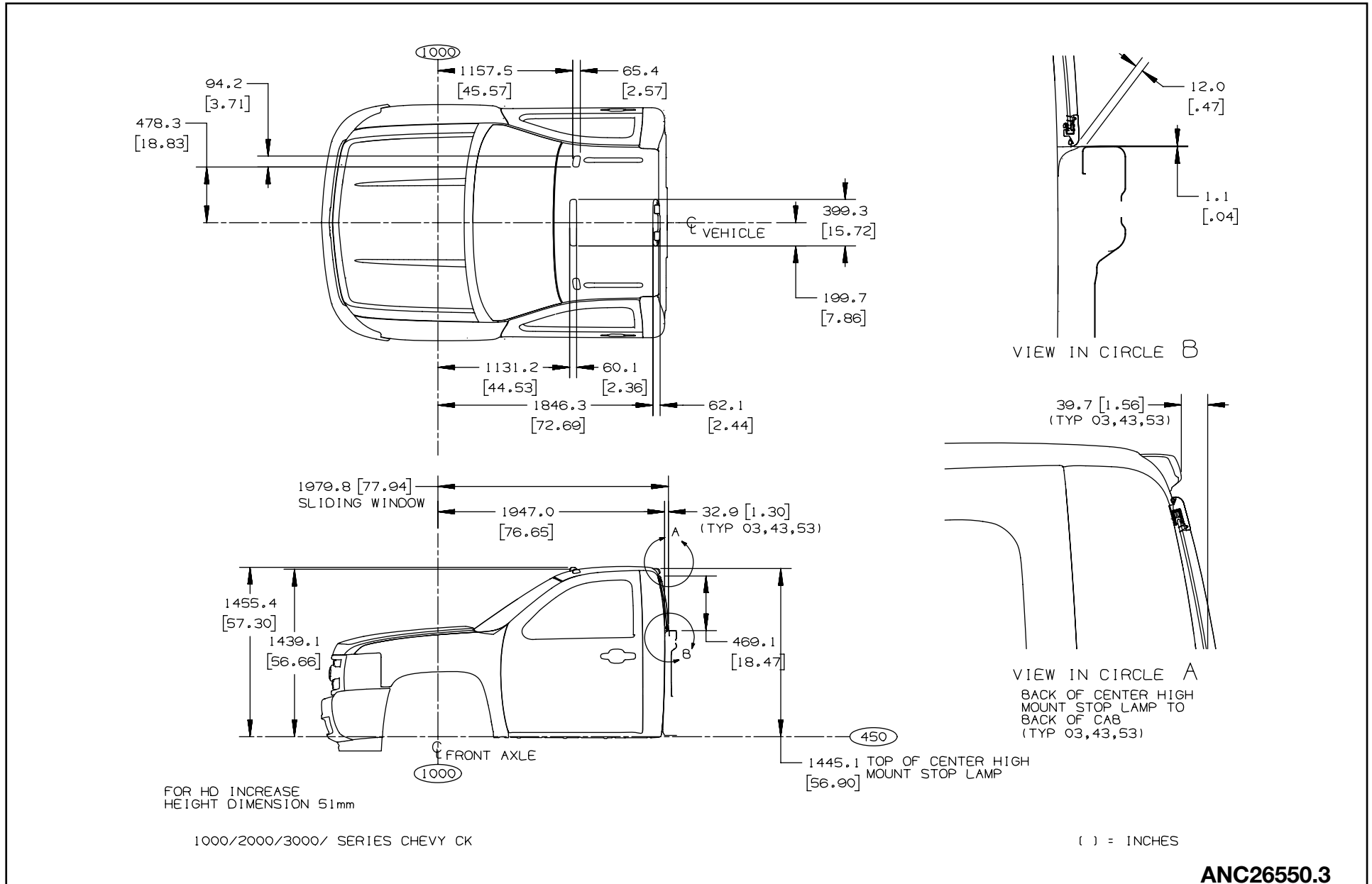
GMT000 1000 2000 SERIES TRUCK

() = INCHES

ANC22057.5

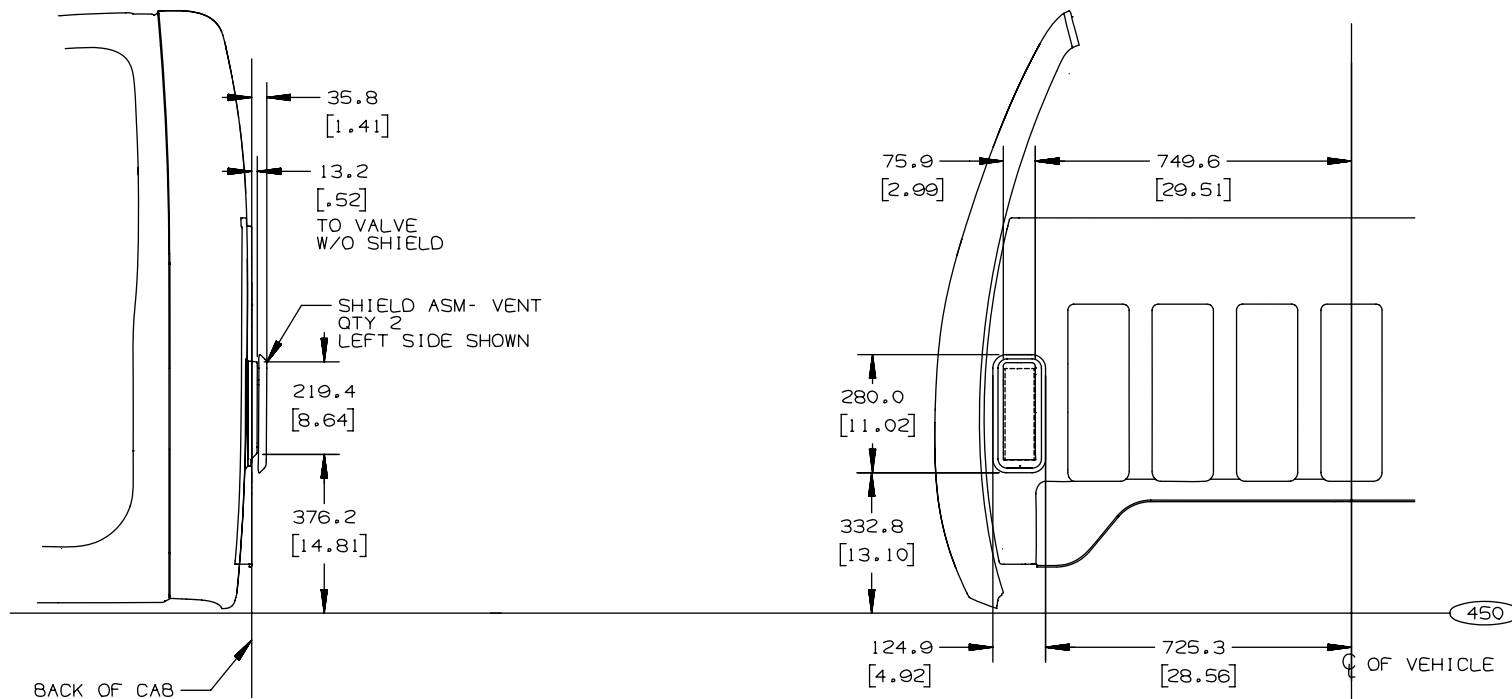
FULL SIZE C/K LD PICKUPS

Cab Clearance Lamps, CHMSL and Rear Cab Window – Fixed and Sliding



FULL SIZE C/K LD PICKUPS

Rear Quarter Body Panel – Cab Pressure Valve Assembly



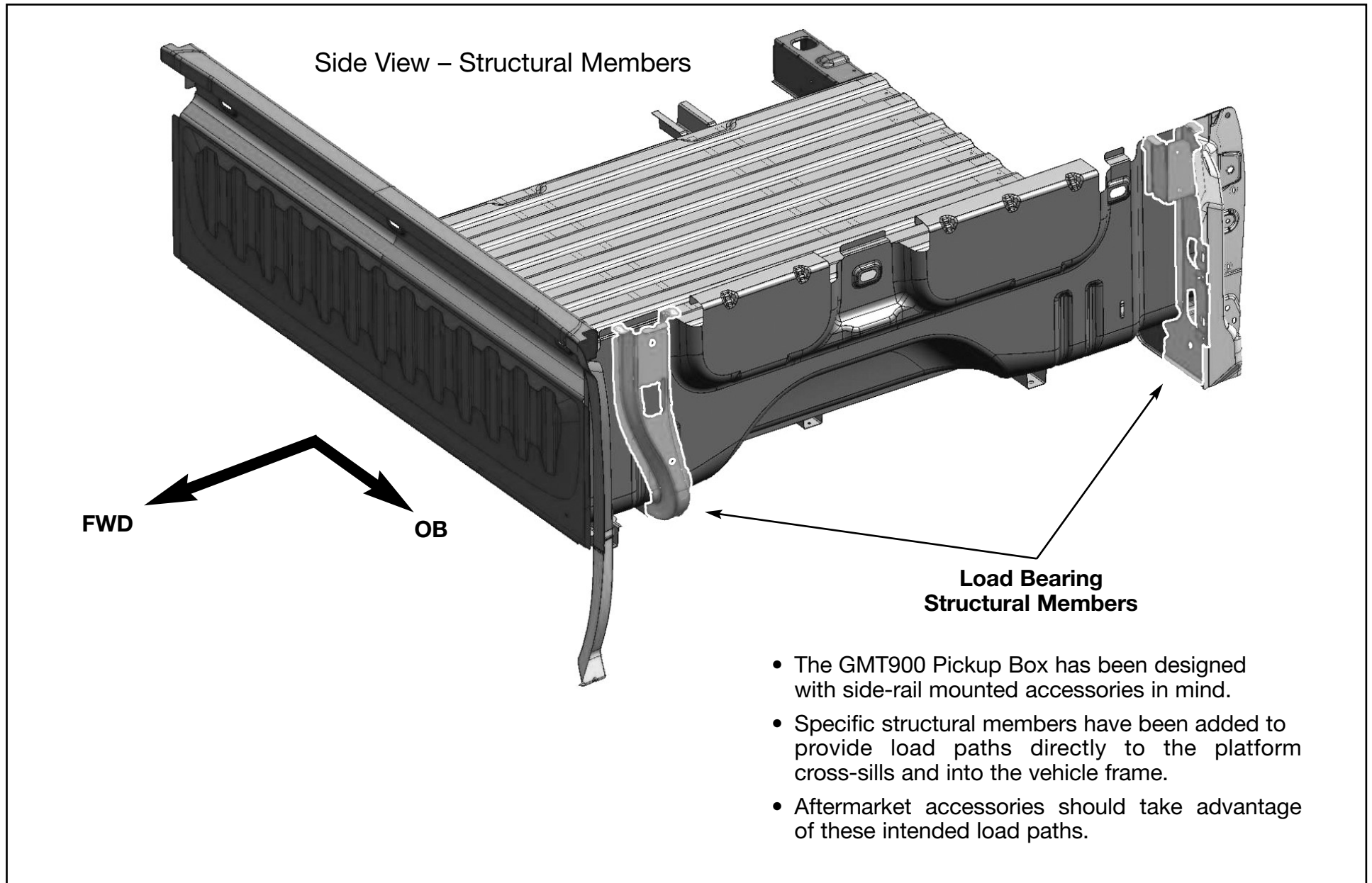
CK 100 03 SHOWN
FOR HD INCREASE
HEIGHT 51MM

CK 100200300 034353
CK 200300 034353

() = INCHES

ANC27961.3

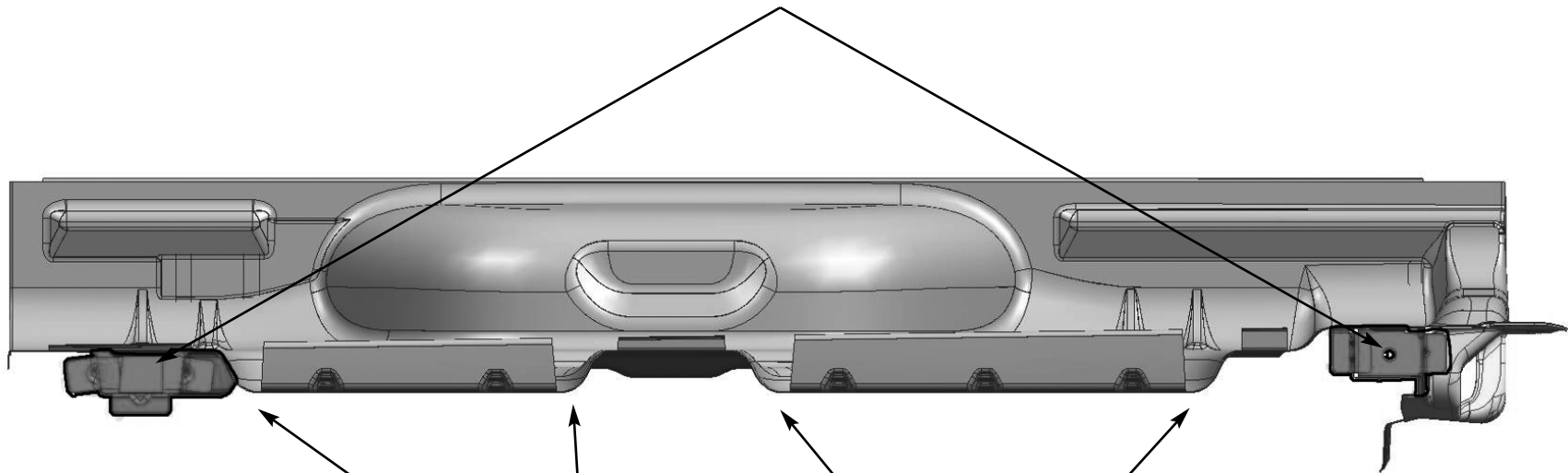
GMT900 Pickup Box Side Rail Load Points/Paths



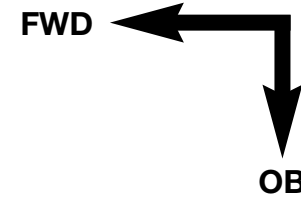
GMT900 Pickup Box Side Rail Load Points/Paths

Top View – Structural Members

Primary Load Points

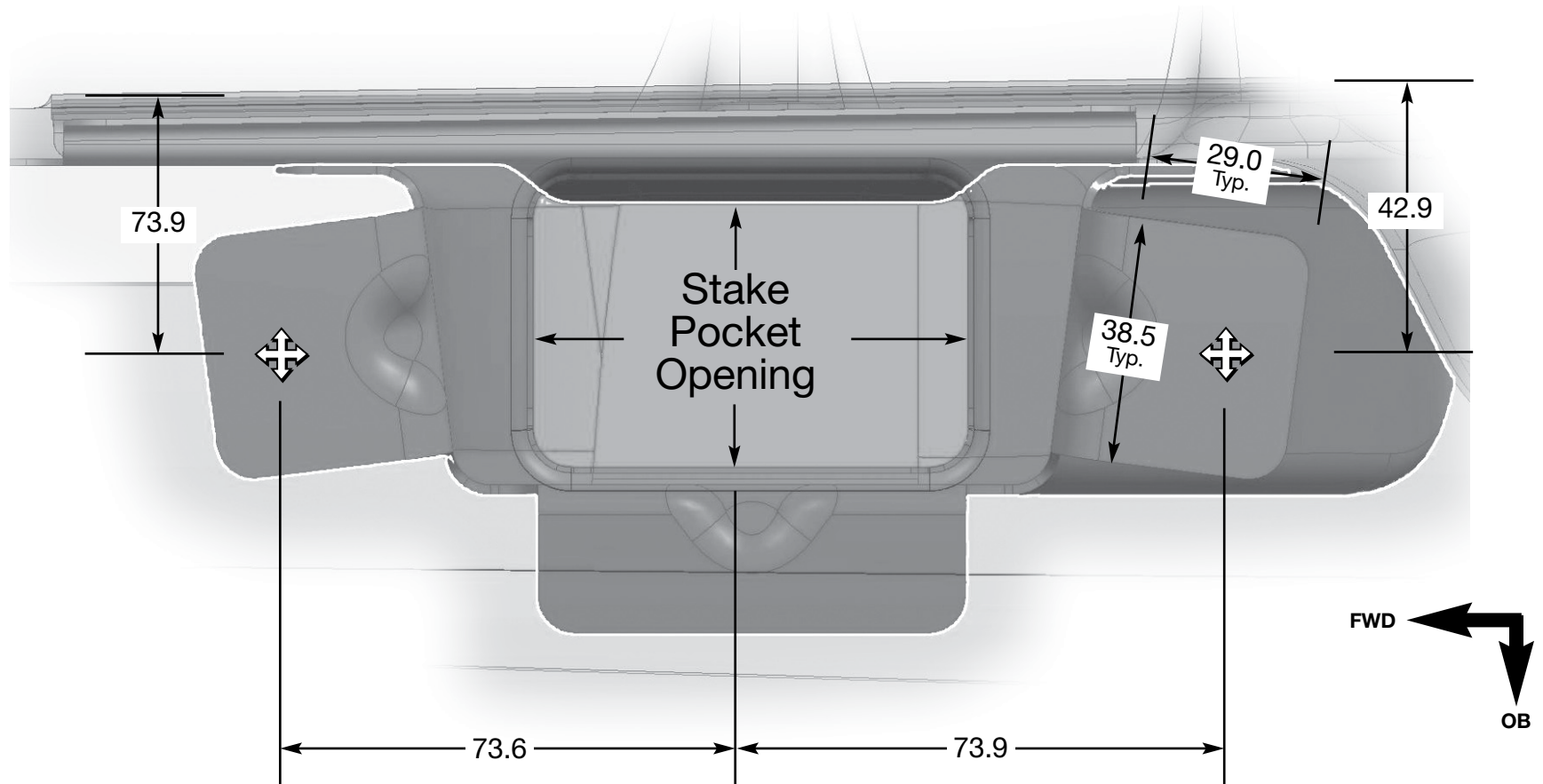


Secondary Load Areas



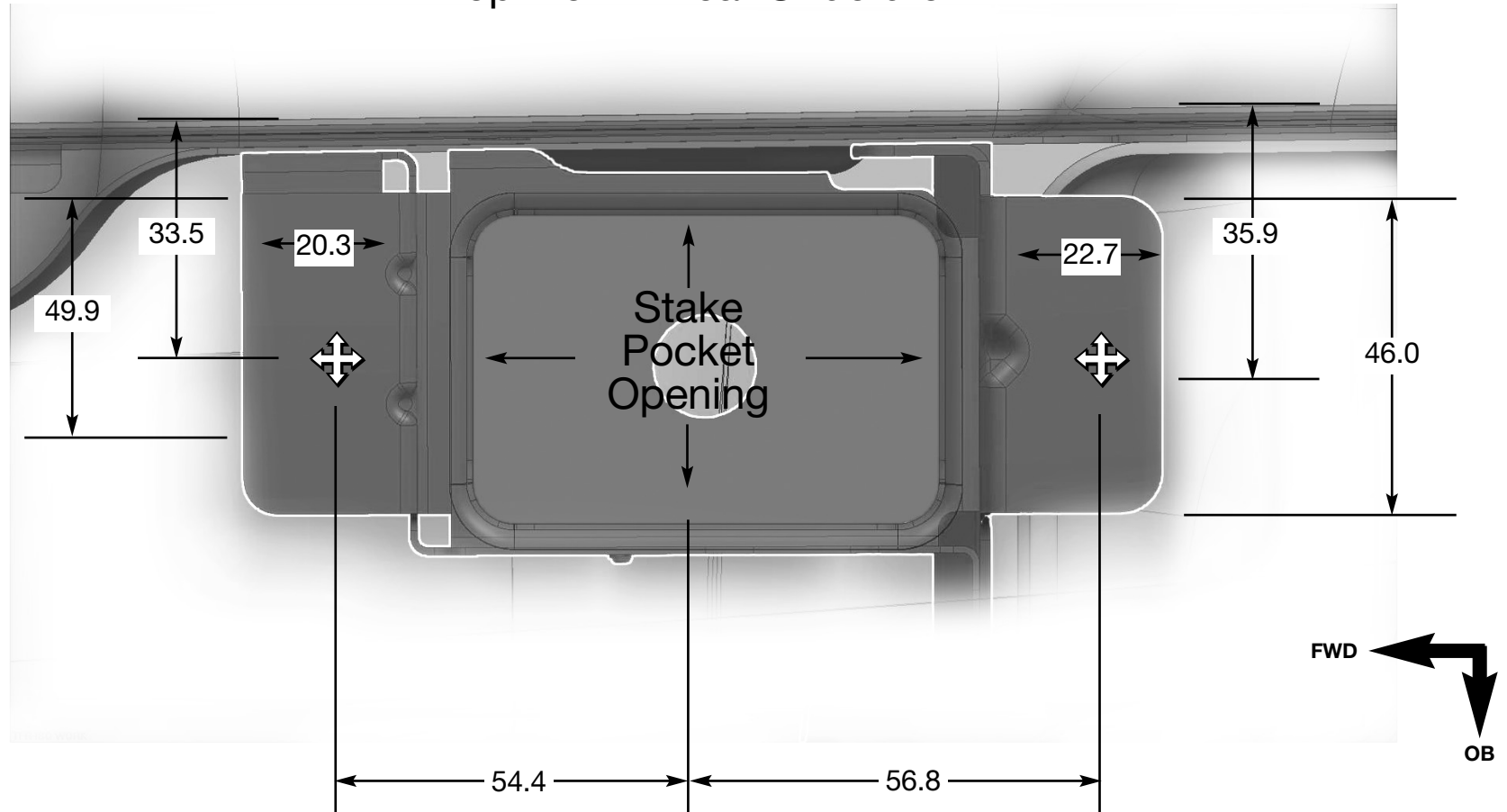
GMT900 Pickup Box Side Rail Load Points/Paths

Top View – Front Structure



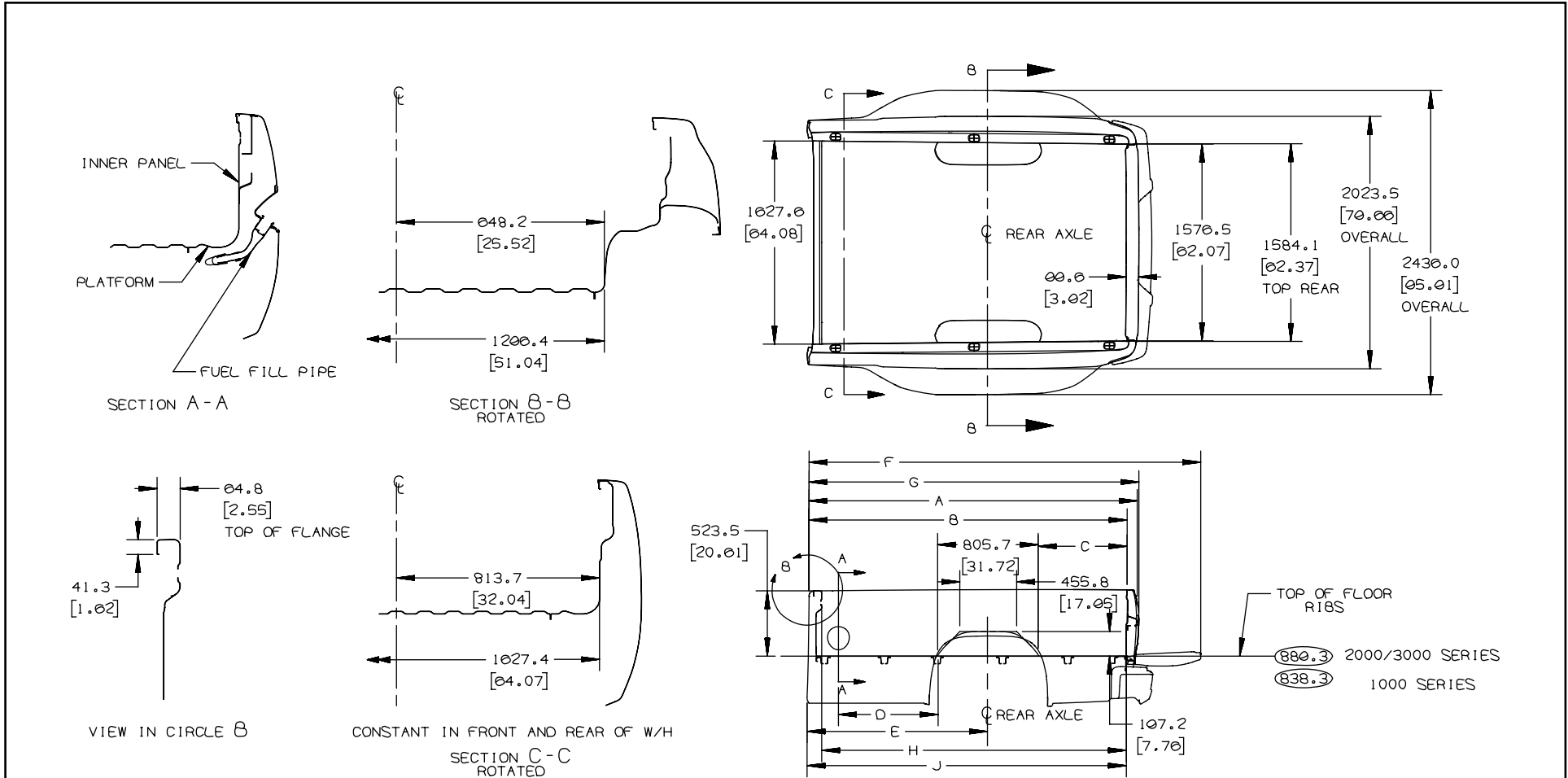
GMT900 Pickup Box Side Rail Load Points/Paths

Top View – Rear Structure



FULL SIZE C/K LD PICKUPS

Length and Width Dimension for 5' 8", 6' 6" and 8' – Pickup Box



	A	B	C	D	E	F	G	H	J
C/K 5.8 FT	1885.2 (74.22)	1827.5 (71.95)	576.45 (22.70)	187.2 (7.37)	846.7 (33.33)	2417.1 (95.20)	1921.0 (75.63)	1716.8 (67.71)	1835.8 (72.27)
C/K 6.6 FT	2127.2 (83.75)	2066.5 (81.48)	574.2 (22.61)	436.2 (17.17)	1090.3 (42.93)	2650.1 (104.00)	2163.0 (85.16)	1961.8 (77.24)	2076.2 (81.86)
C/K 8.0 FT	2630.1 (103.55)	2546.5 (100.37)	608.6 (27.50)	701.4 (31.16)	1445.0 (56.93)	3136.1 (123.50)	2643.4 (104.07)	2441.8 (93.13)	2556.2 (100.76)

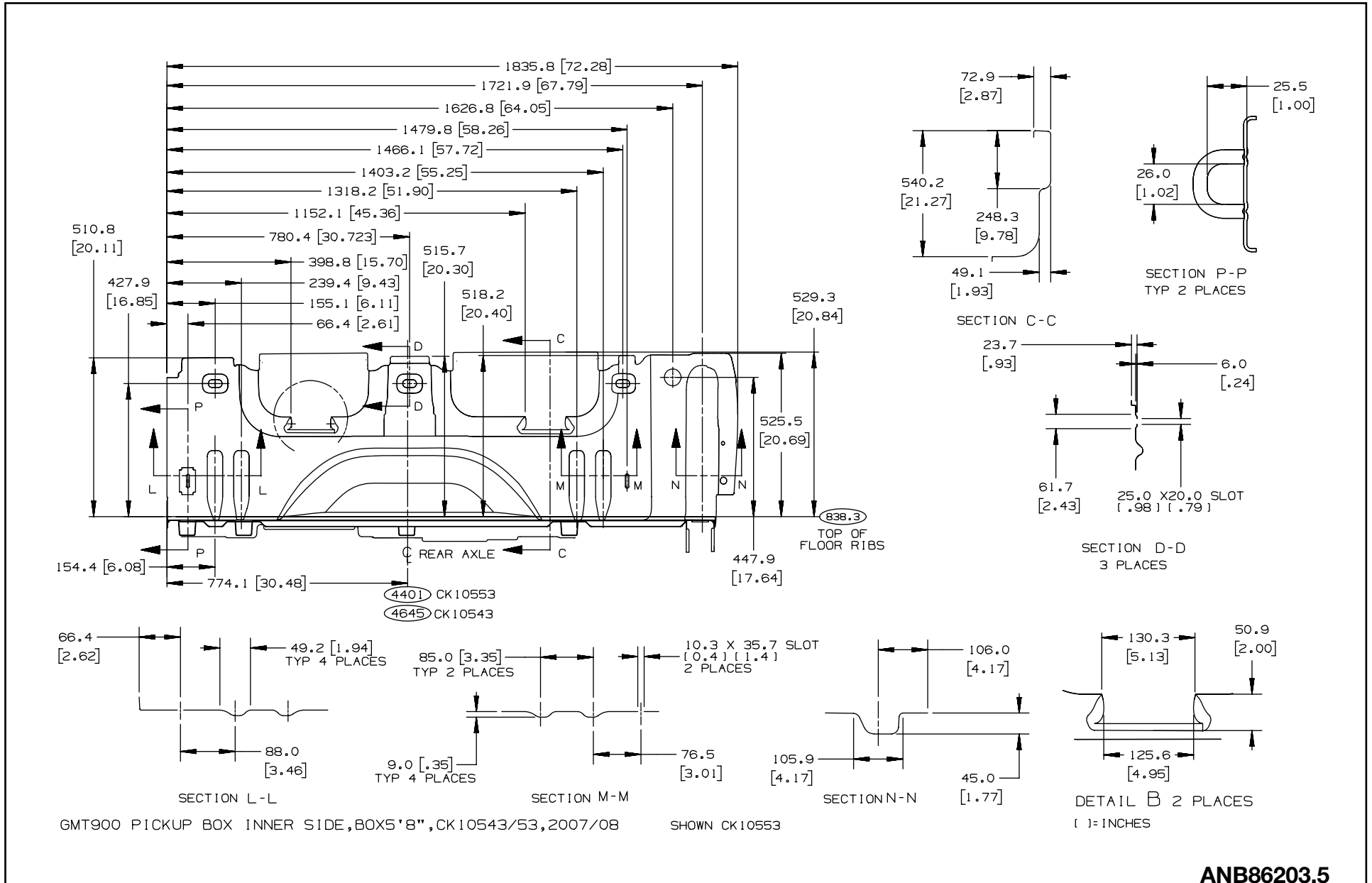
C/K 5'8", 6'6", AND 8'0" PICKUP BOX

() = INCHES

ANB70929.17

FULL SIZE C/K LD PICKUPS

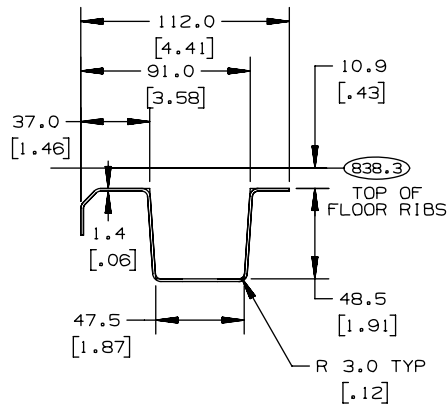
Inside Panel, 5' 8" Box – Pickup Box



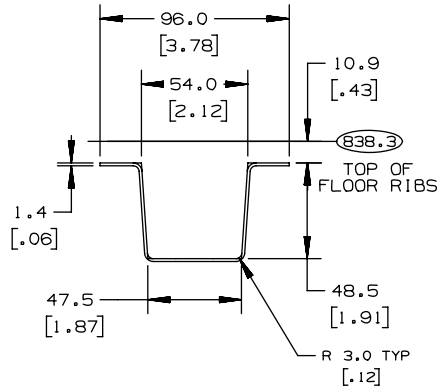
ANB86203.5

FULL SIZE C/K LD PICKUPS

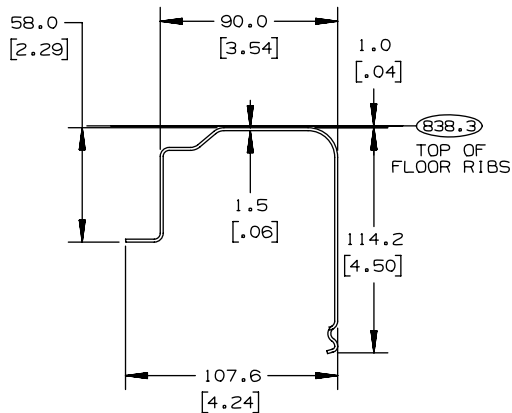
Cross Sills Location, 5' 8" Box – Pickup Box



SECTION E-E

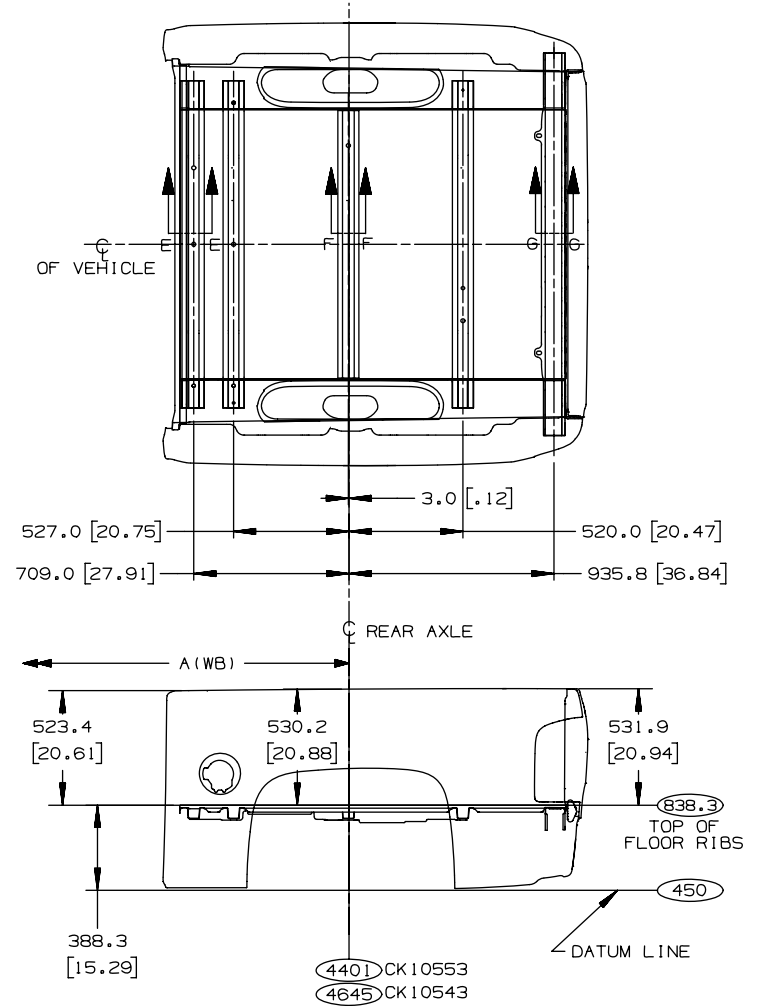


SECTION F-F
3 PLACES



SECTION G-G

MODEL	A (WB)
CK10553	3402.0 [133.9]
CK10543	3645.0 [143.5]



GMT900 PLATFORM SILLS BOX5'8", CK10543 2007/2008

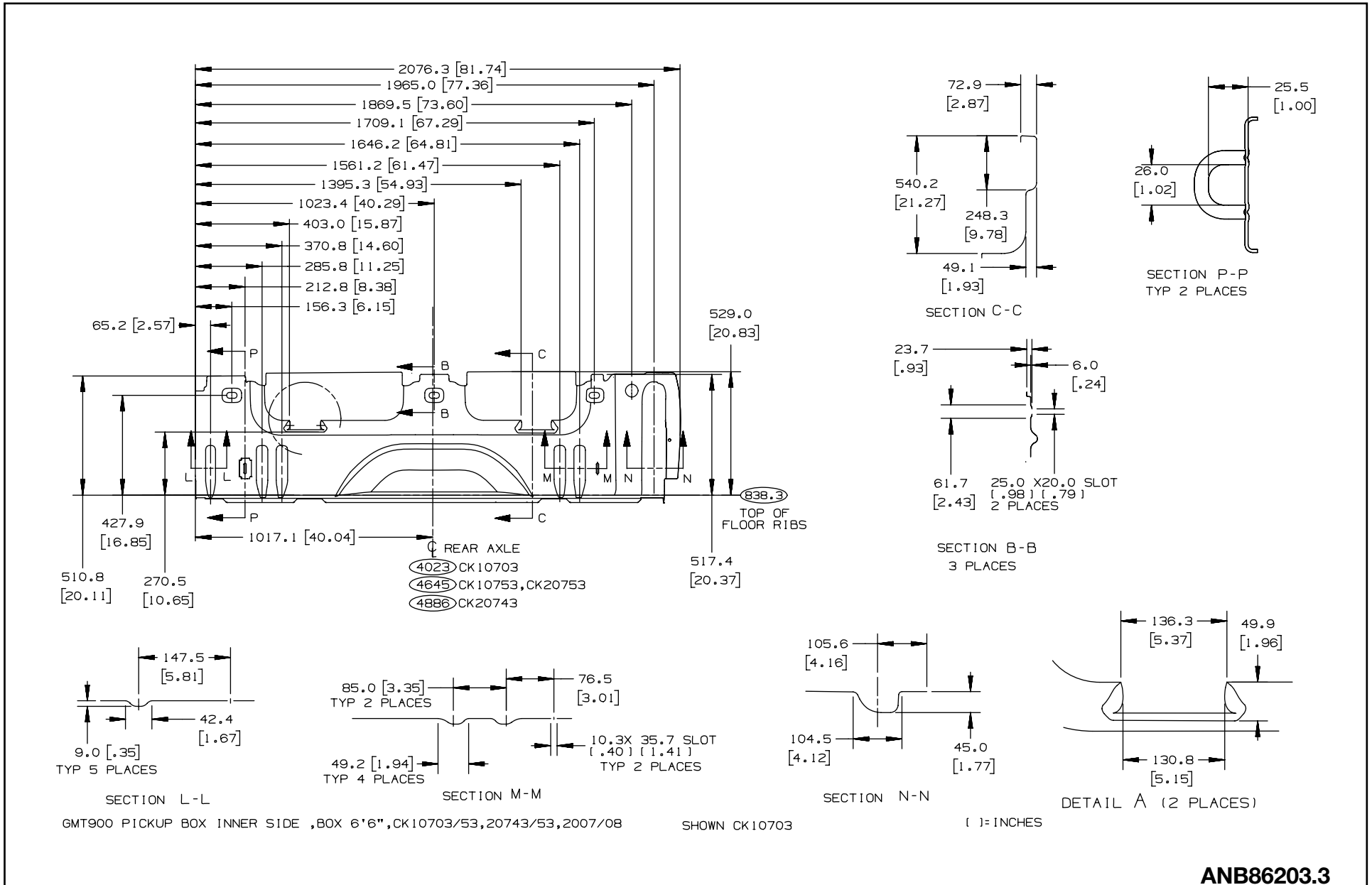
SHOWN CK10553

1" = INCHES

ANB86203.6

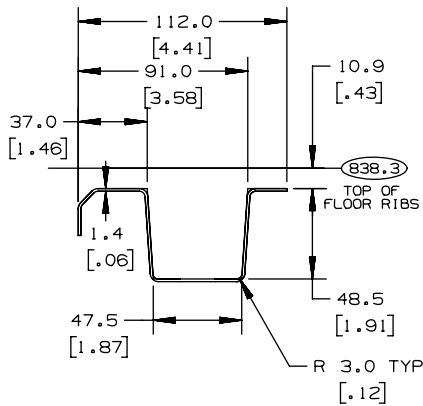
FULL SIZE C/K LD PICKUPS

Inside Panel, 6' 6" Box – Pickup Box

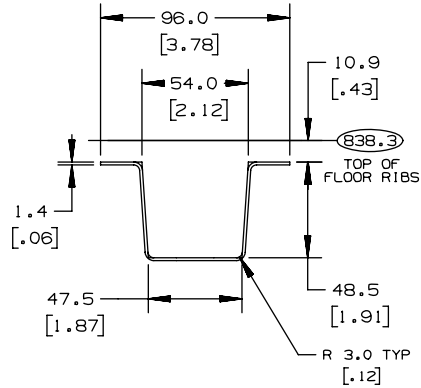


FULL SIZE C/K LD PICKUPS

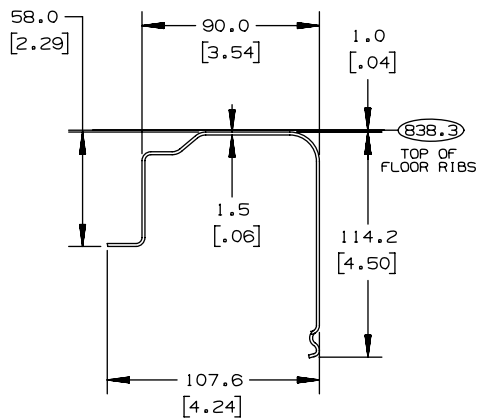
Cross Sills Location, 6' 6" Box – Pickup Box



SECTION E-E

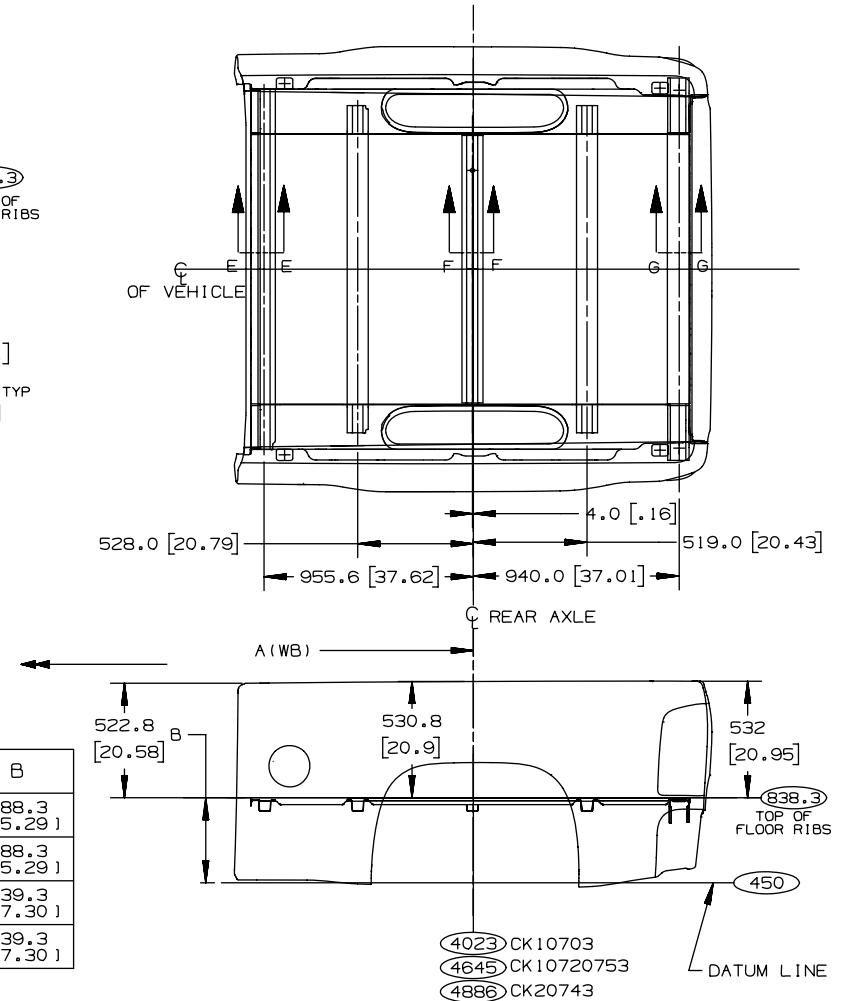


SECTION F-F
TYP 3 PLACES



SECTION G-G

MODEL	A (WB)	TOP OF FLOOR RIBS	B
CK10703	3023.0 [119.0]	838.3 [33.0]	388.3 [15.29]
CK10753	3645.0 [143.5]	838.3 [33.0]	388.3 [15.29]
CK20753	3645.0 [143.5]	889.3 [35.0]	439.3 [17.30]
CK20743	3886.0 [153.0]	889.3 [35.0]	439.3 [17.30]



GMT900 PLATFORM SILLS, BOX 6'6", CK10703/53, CK20743/53, 2007/08

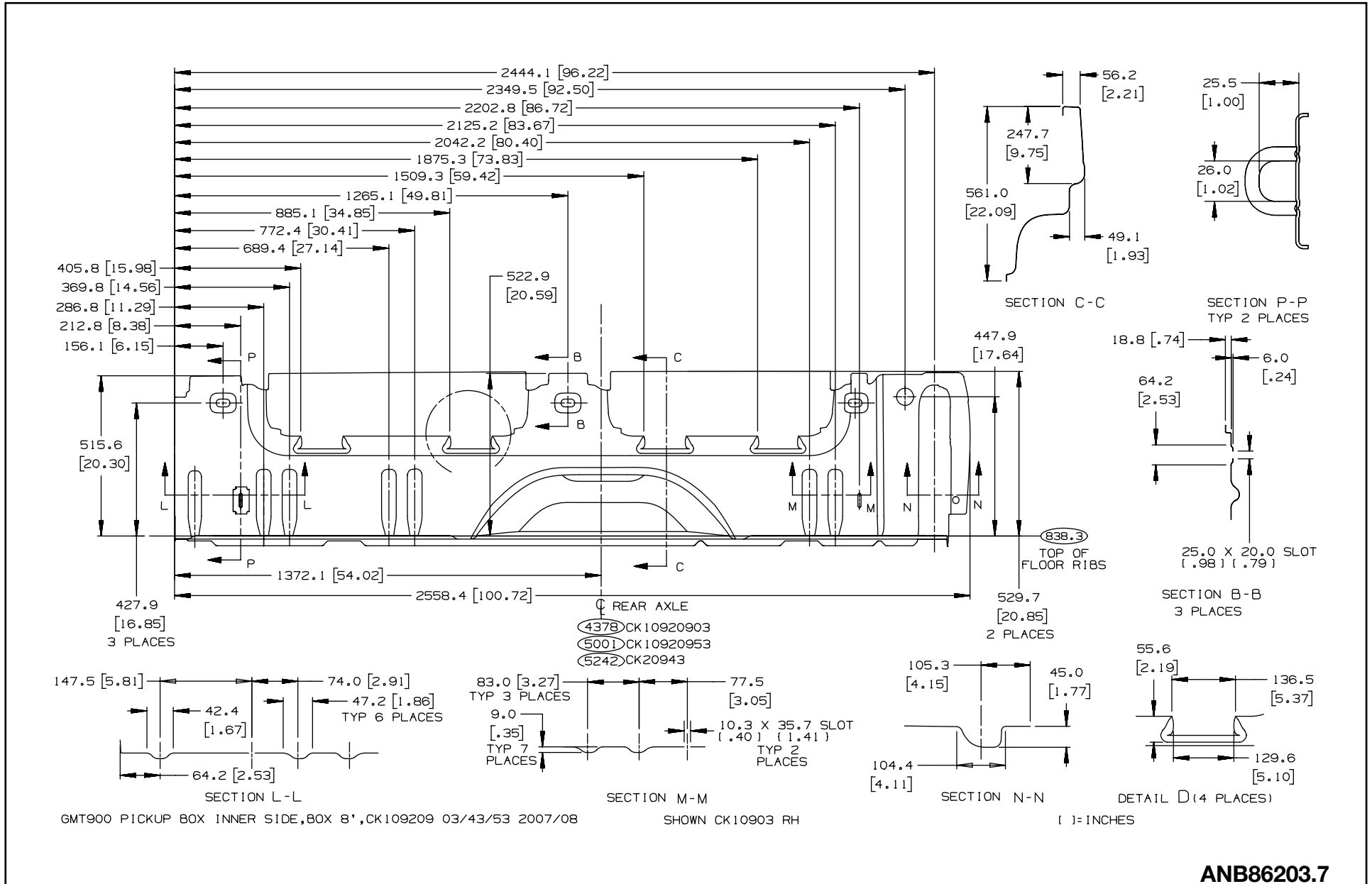
SHOWN CK10703

[] = INCHES

ANB86203.4

FULL SIZE C/K LD PICKUPS

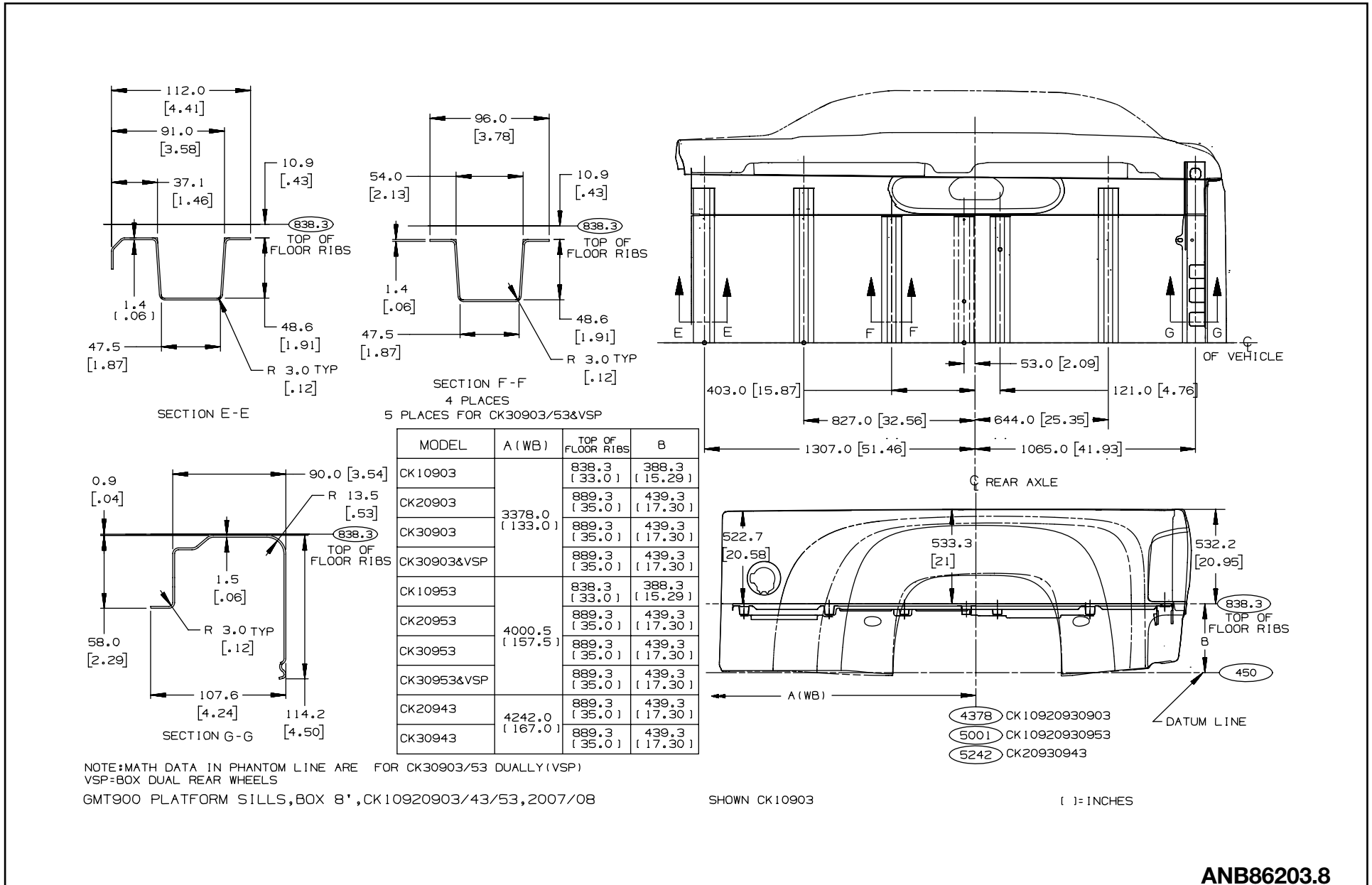
Inside Panel, 8' Box – Pickup Box



ANB86203.7

FULL SIZE C/K LD PICKUPS

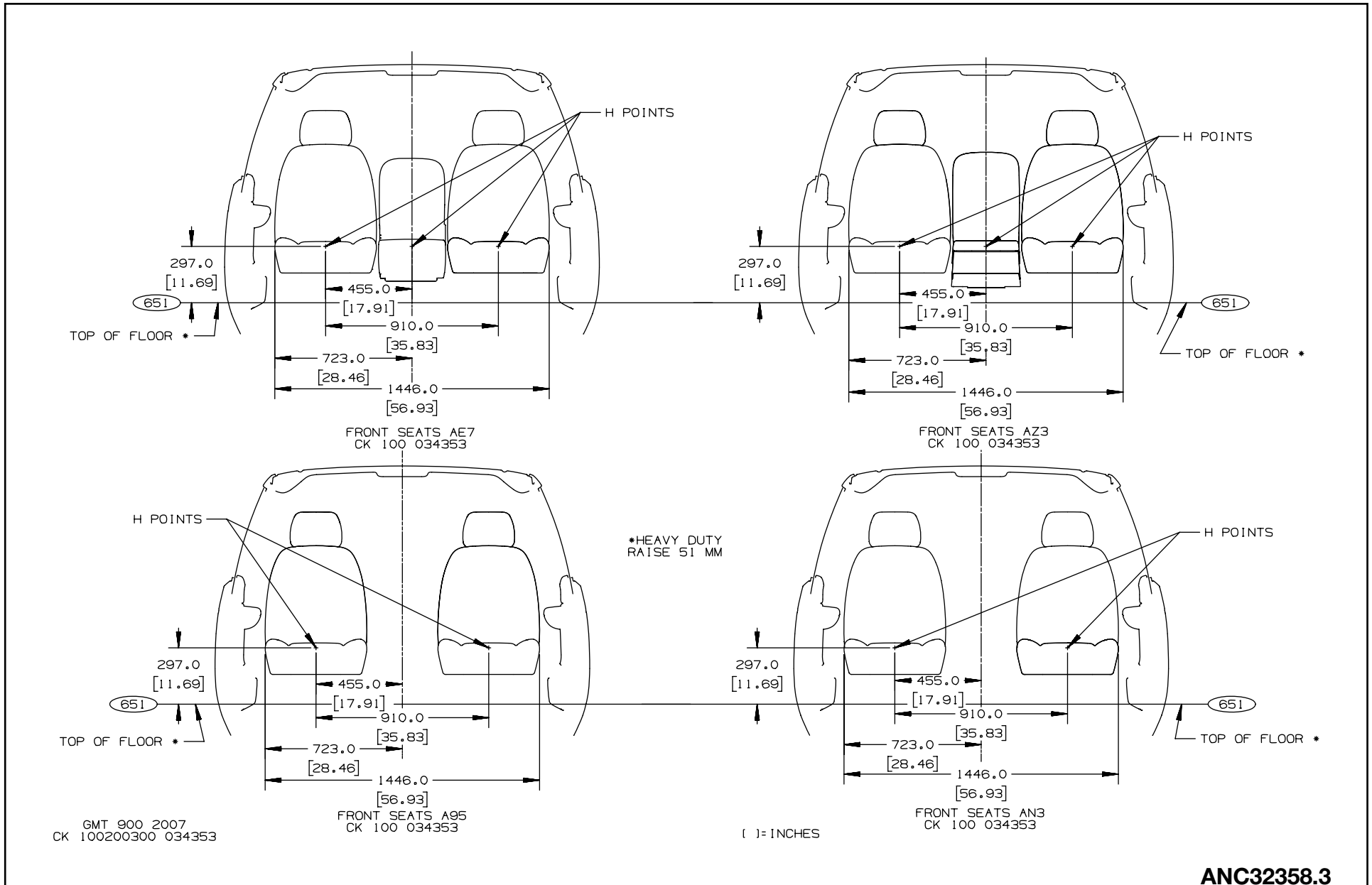
Cross Sills Location, 8' Box - Pickup Box



ANB86203.8

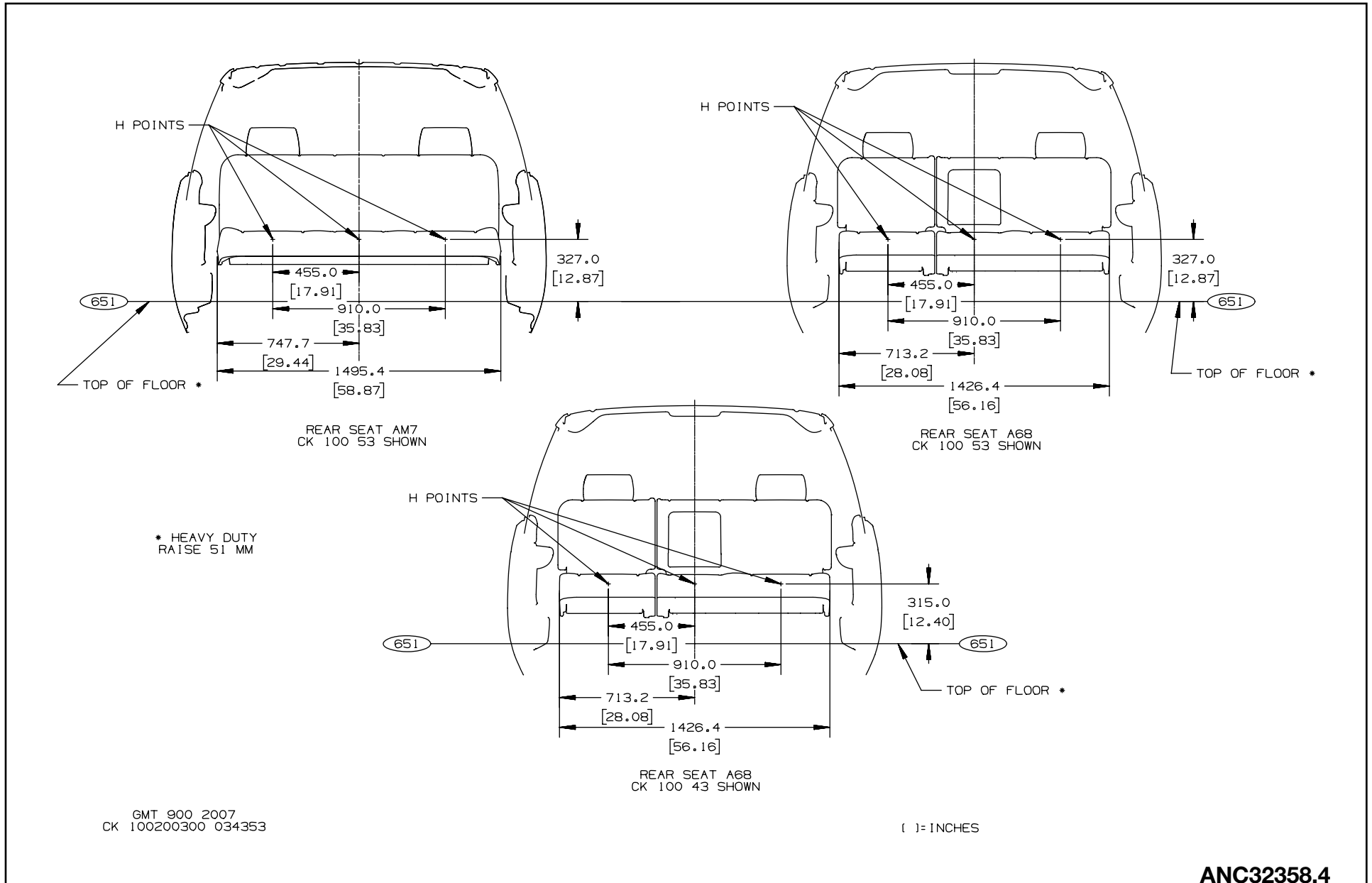
FULL SIZE C/K LD PICKUPS

Seating Positions and H Points 1st Row Front View, Pickups - C/K 100/200/300 (03/53/43)



FULL SIZE C/K LD PICKUPS

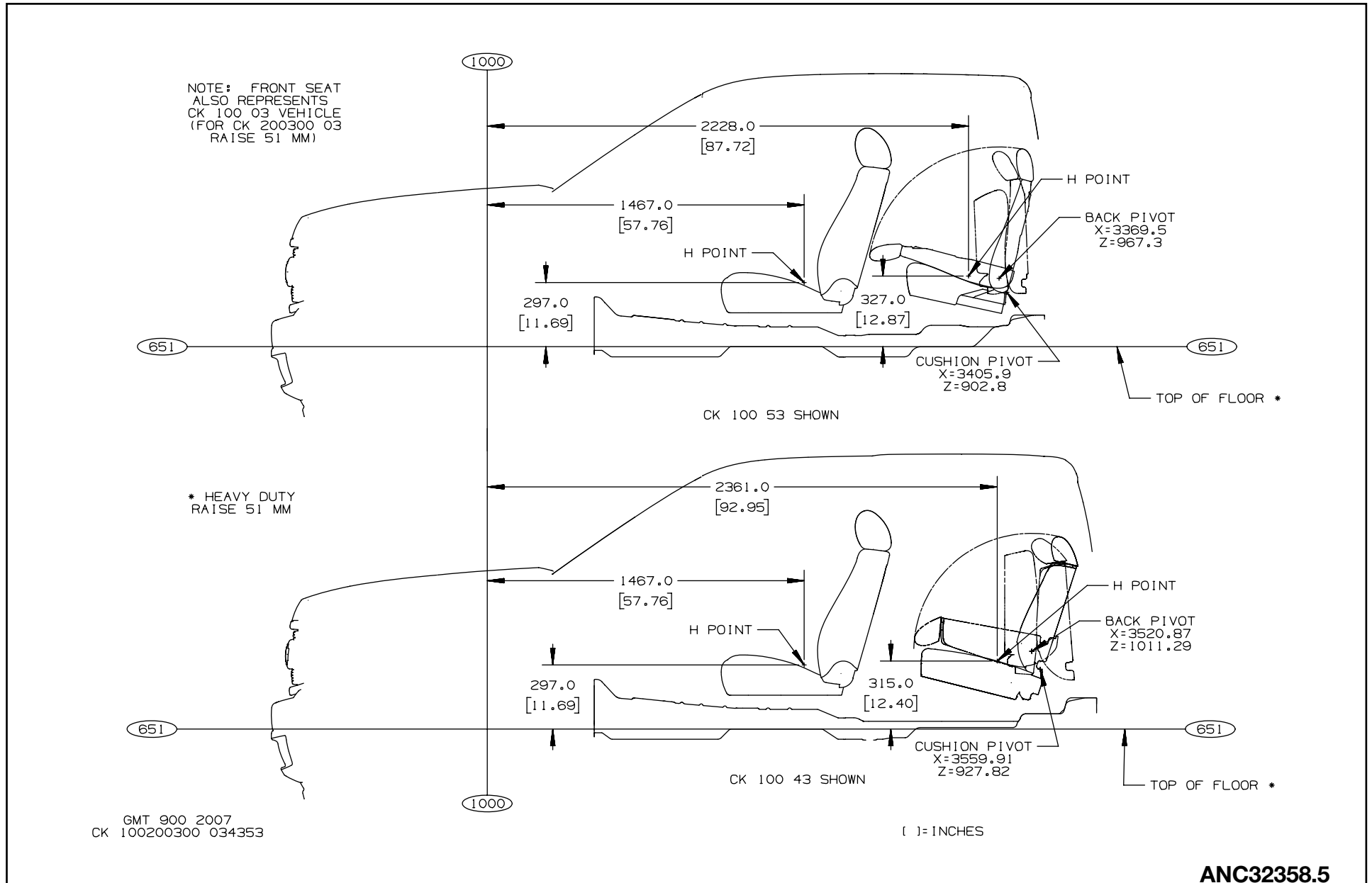
Seating Positions and H Points 2nd Row Front View, Pickups – C/K 100/200/300 (03/53/43)



ANC32358.4

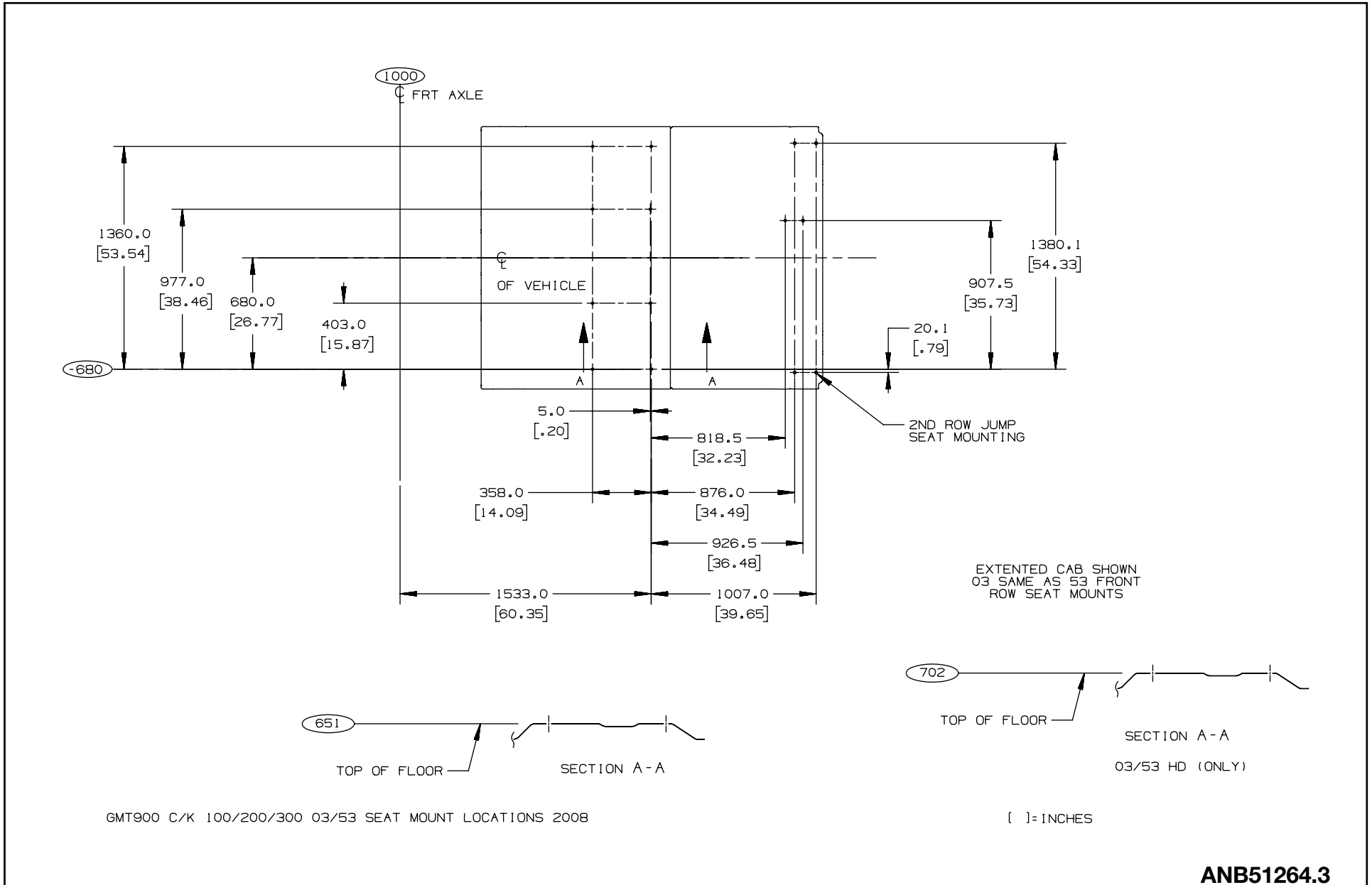
FULL SIZE C/K LD PICKUPS

Seating Positions and H Points Side View, Pickups – C/K 100/200/300 (03/53/43)



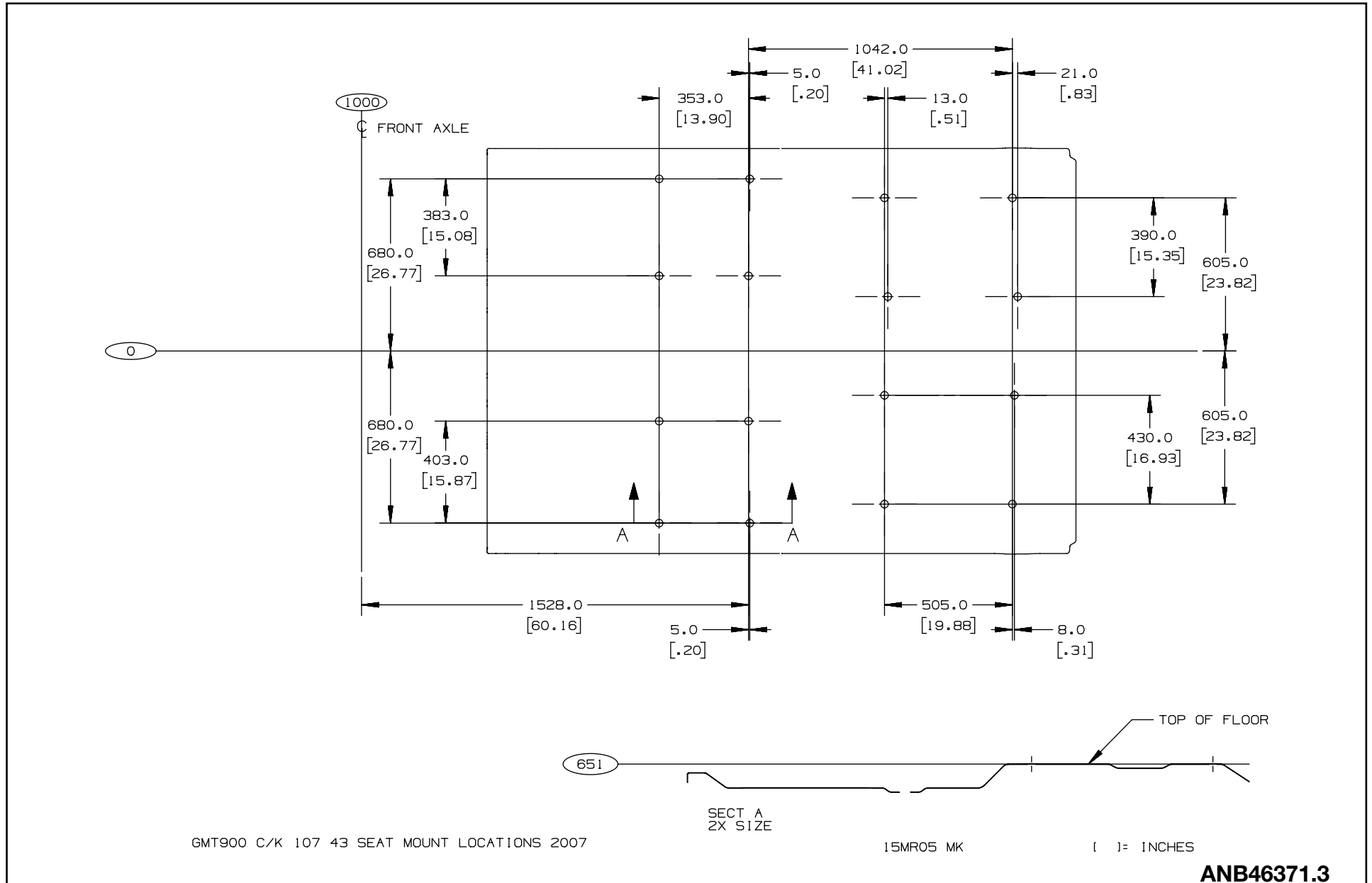
FULL SIZE C/K LD PICKUPS

C/K 100/200/300 (03/53) – Seat Mounting Holes Locations – Floor



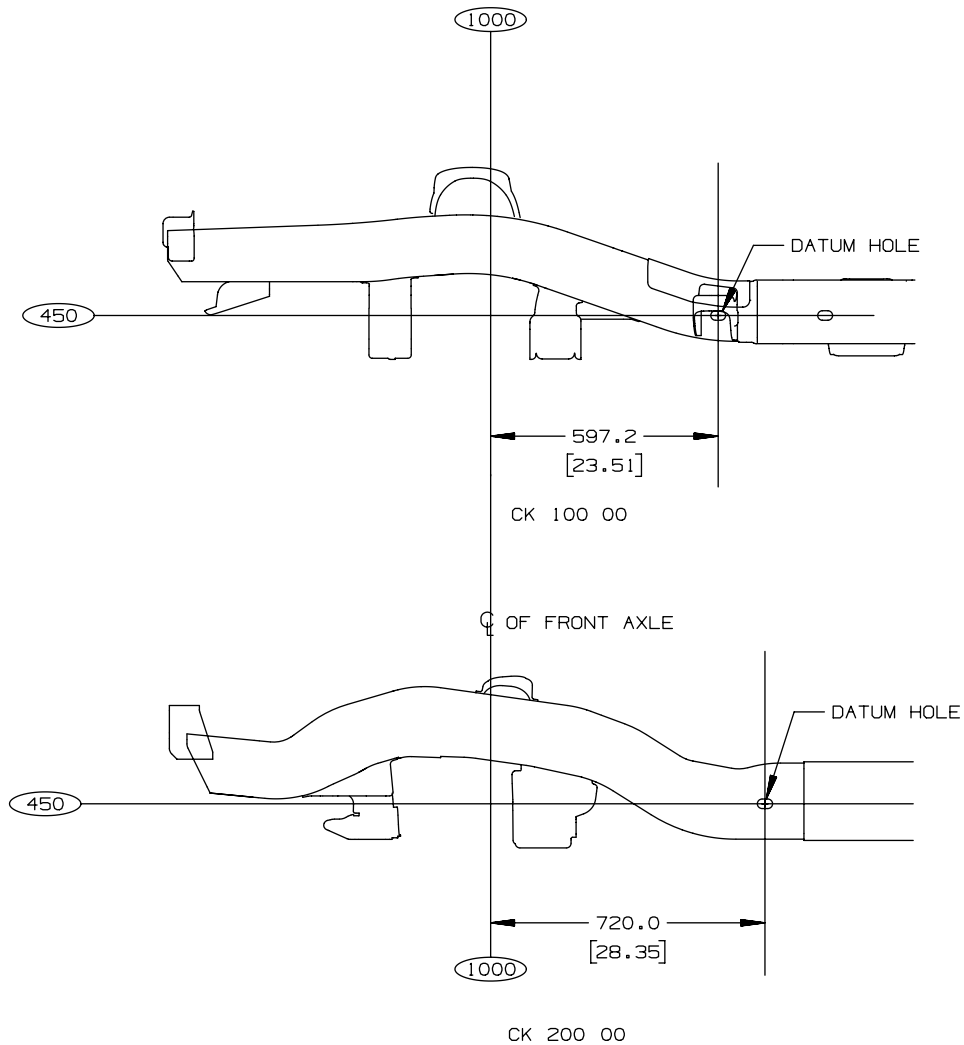
FULL SIZE C/K LD PICKUPS

C/K 10743 – Seat Mounting Holes Locations – Floor



FULL SIZE C/K LD PICKUPS

C/K 100 (00) and C/K 200 (00) – Datum Hole Location



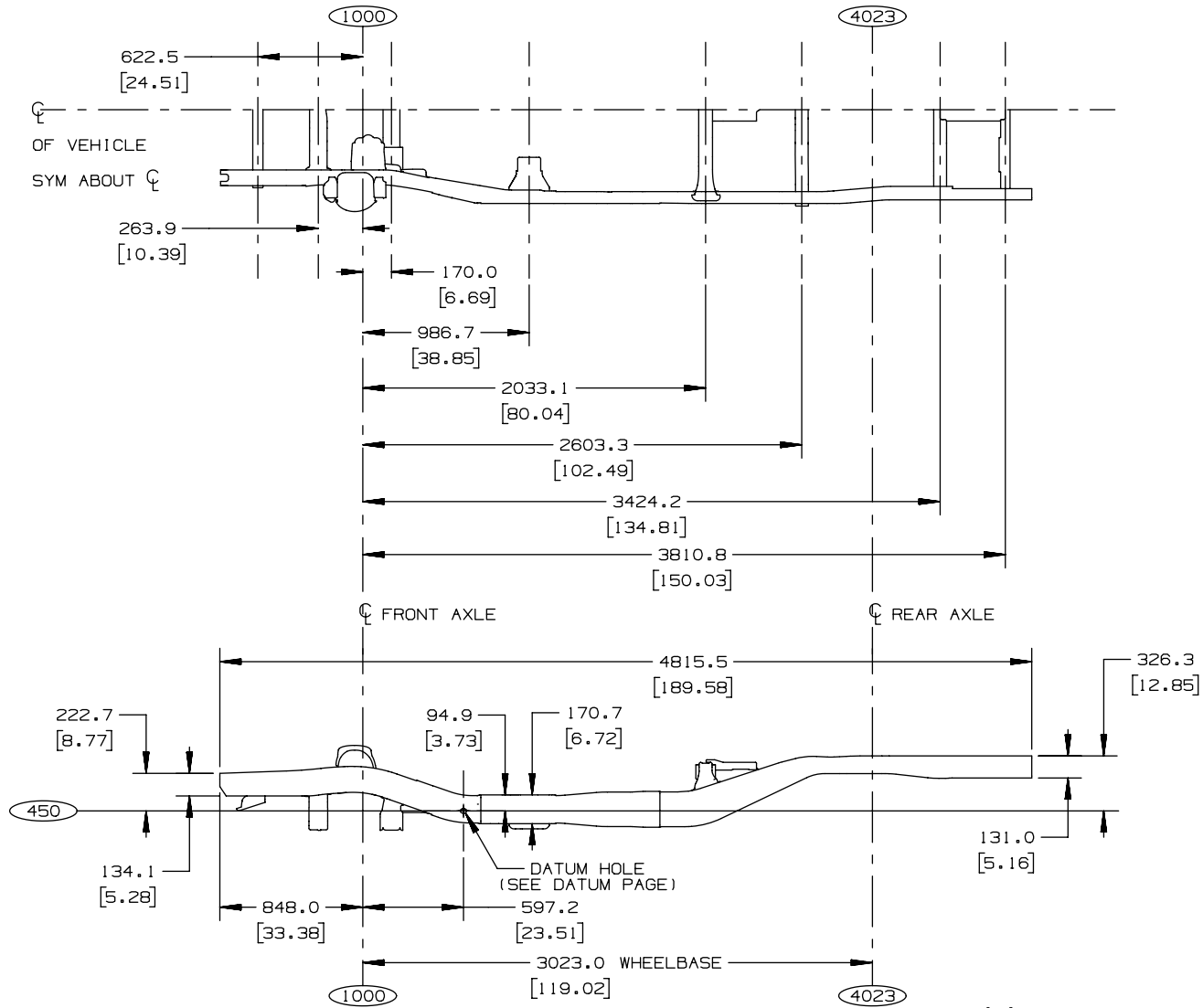
GMT 900 CK100200 00 FRAME DATUM LOCATIONS

[] = INCHES

ANC30752.3

FULL SIZE C/K LD PICKUPS

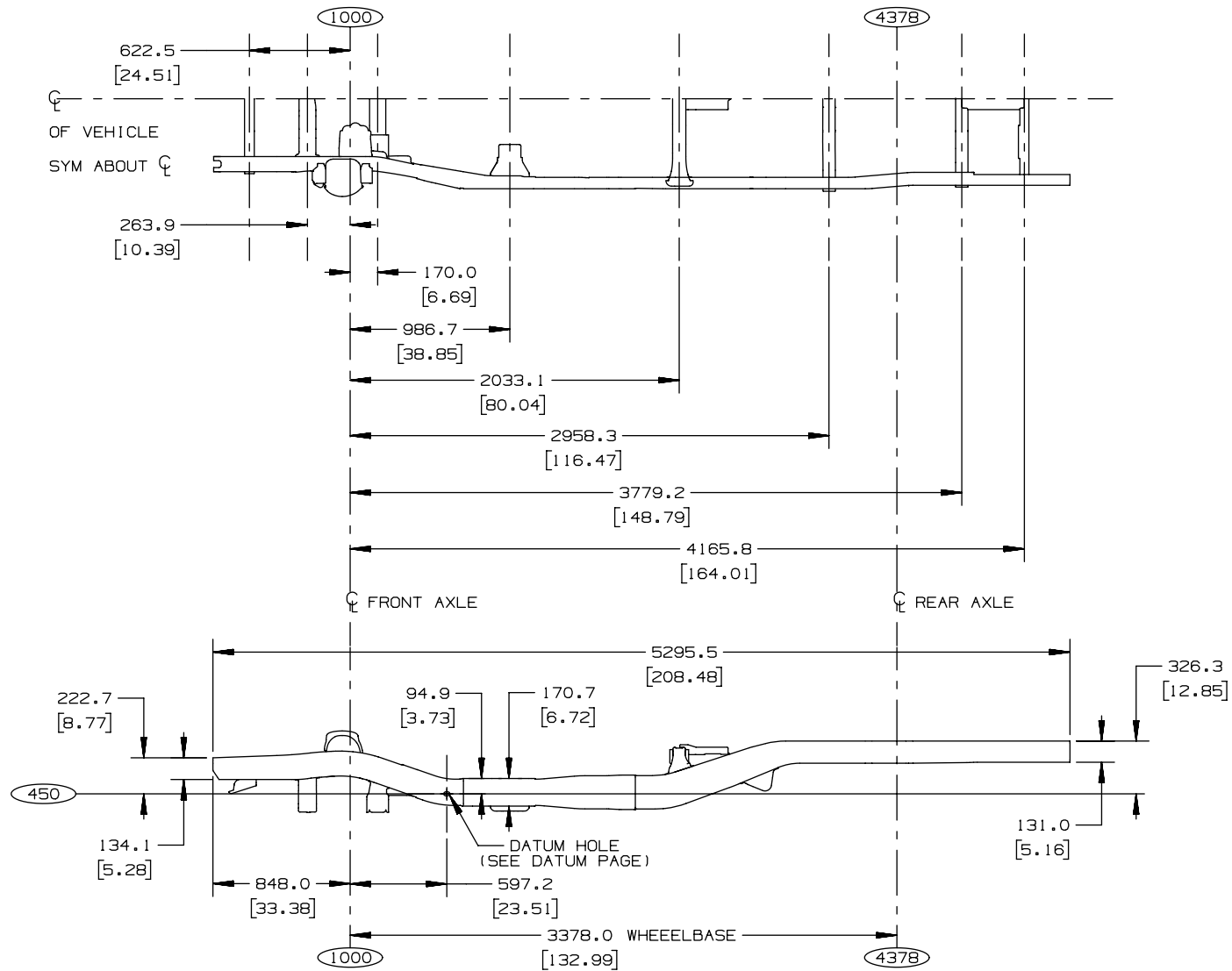
C/K 10703 – Frame Rail and Crossmember Locations



ANB34864.6

FULL SIZE C/K LD PICKUPS

C/K 10903 - Frame Rail and Crossmember Locations



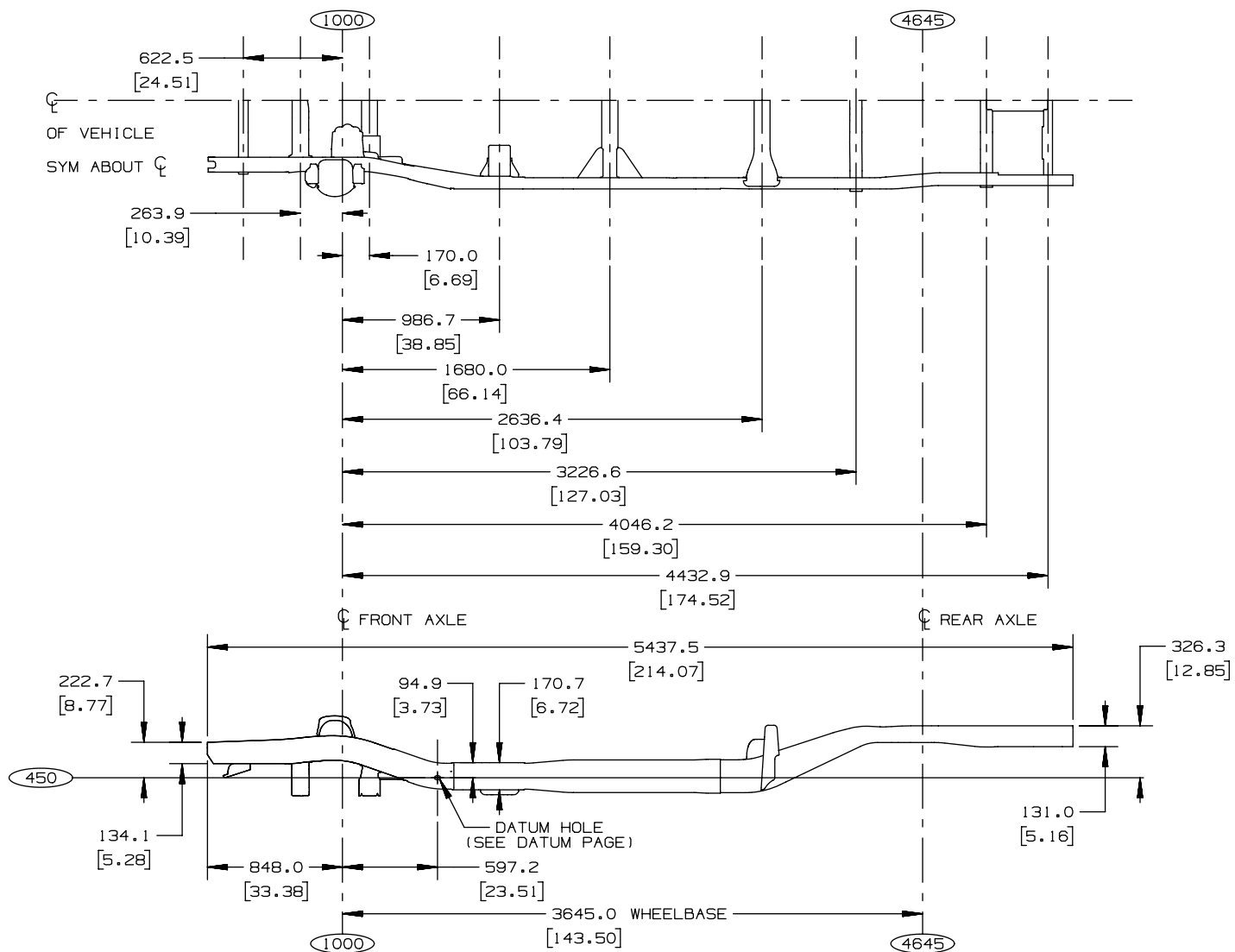
GMT900 C/K 109 03 2007

[]=INCHES

ANB34864.7

FULL SIZE C/K LD PICKUPS

C/K 10753 - Frame Rail and Crossmember Locations



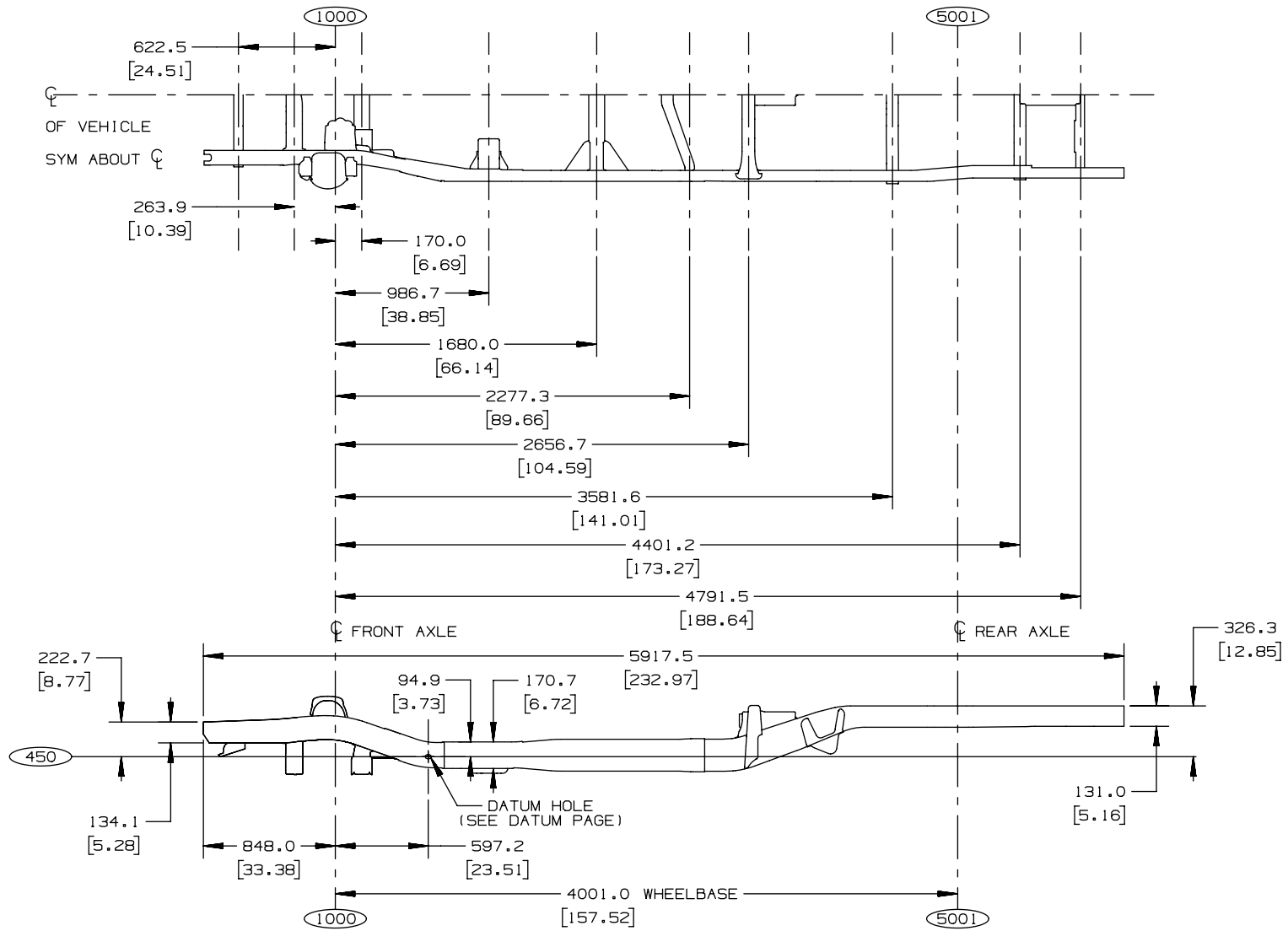
GMT900 C/K 107 53 2007

[] = INCHES

ANB34864.12

FULL SIZE C/K LD PICKUPS

C/K 10953 - Frame Rail and Crossmember Locations



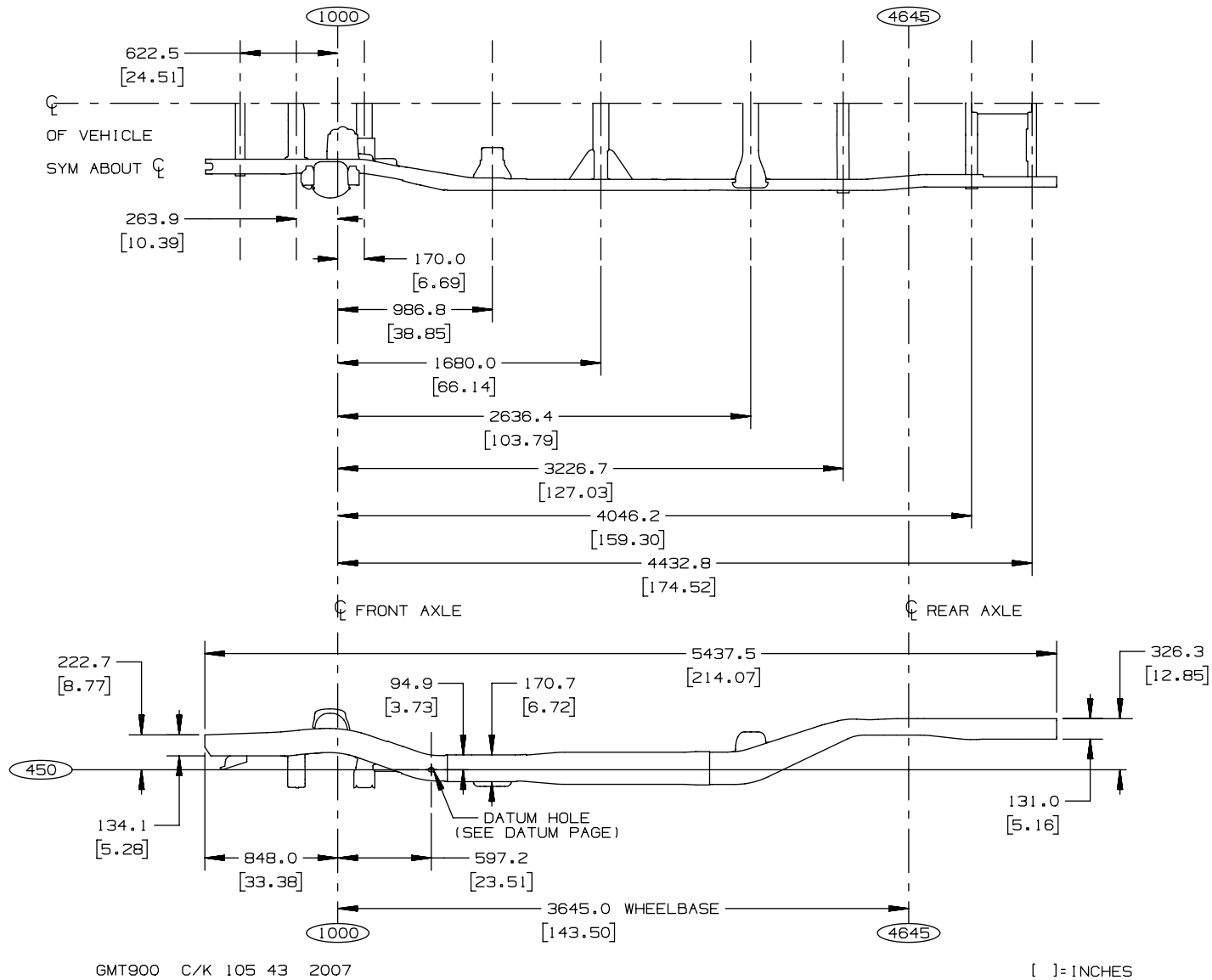
GMT900 C/K 109 53 2007

[] = INCHES

ANB34864.13

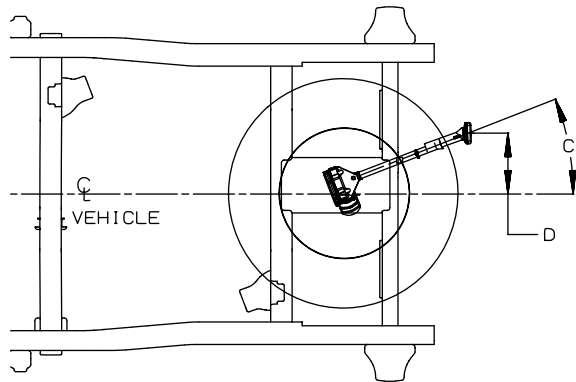
FULL SIZE C/K LD PICKUPS

C/K 10543 - Frame Rail and Crossmember Locations

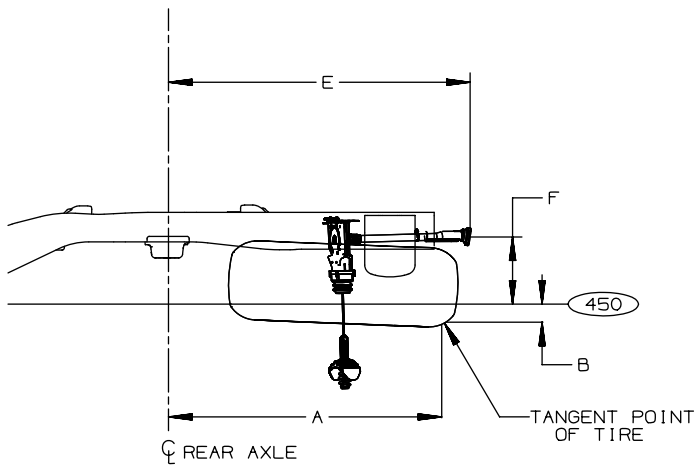


ANB34864.17

C/K 1000 Series Pickups – Spare Tire Location



MODEL	TIRE	A	B	C	D	E	F
CK10703	P265/75R-17	923.0 (36.34)	81.0 (3.17)	21°	216.3 (8.50)	1072.3 (42.22)	240.0 (9.45)
CK10753	P265/70R-17	945.5 (37.22)	81.0 (3.17)	21°	216.3 (8.50)	990.5 (39.00)	240.0 (9.45)
CK10903	P265/70R-17	945.5 (37.22)	81.0 (3.17)	21°	216.3 (8.50)	1094.8 (43.10)	222.0 (8.74)
CK10953	P265/70R-17	923.0 (36.34)	81.0 (3.17)	16.5°	216.3 (8.50)	1197.0 (47.12)	222.0 (8.74)
CK10543	P265/70R-17	895.5 (35.25)	81.0 (3.17)	21°	203.2 (8.00)	1020.5 (40.18)	240.0 (9.45)
CK10553	P265/70R-17	631.5 (24.90)	81.0 (3.17)	21°	216.3 (8.50)	1072.3 (42.22)	222.0 (8.74)



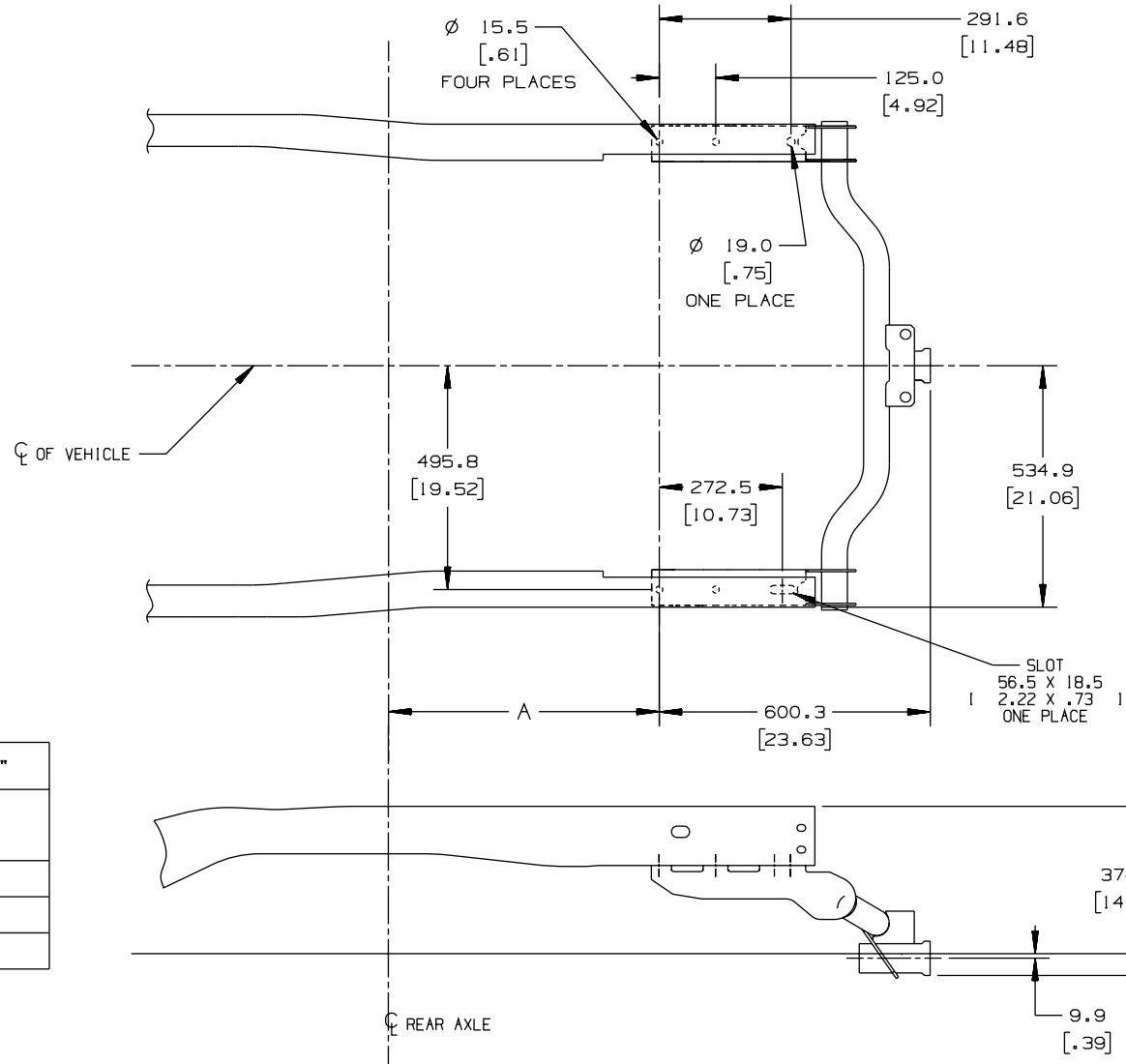
GMT900 2007 SPARE TIRE TRUCKS 1000 SERIES

() = INCHES

ANC39360.4

FULL SIZE C/K LD PICKUPS

Pickups C/K 100 (03/53/43) – Platform Hitch



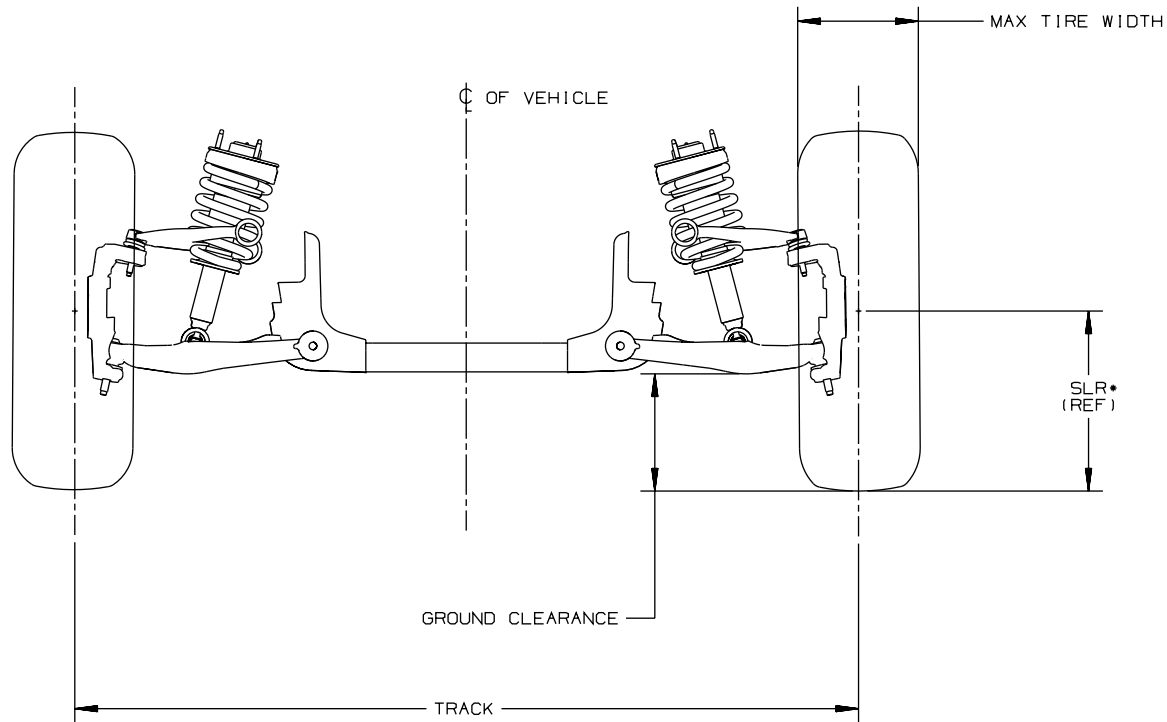
MODEL	☉ REAR AXLE	DIM "A"
C/K 105 43	4645	599.6
C/K 107 53		599.8
C/K 109 03	4378	724.2
C/K 109 53	5001	723.9

GMT900 C/K 100 03/43/53 2008

[] = INCHES

ANB84248.3

Front Axle Tire Data Drawing – C/K 10000 Pickups



- VYU = SNOW PLOW
- Z83 = CHASSIS PACKAGE SOLID SMOOTH RIDE
- Z85 = CHASSIS PACKAGE INCREASED CAPACITY
- E63 = BODY EQUIPMENT FLEETSIDE PICKUP BOX
- Z71 = CHASSIS PACKAGE OFF ROAD
- ZW7 = CHASSIS PACKAGE PREMIUM SMOOTH RIDE

*MINIMUM GROUND CLEARANCE TO BE CALCULATED BY USING GROSS AXLE WEIGHT AND RECOMMENDED TIRE PRESURE

GMT900 UTILITIES 1000 SERIES/TRUCK 1000 SERIES FRONT AXLE/TIRE DATA (2007)

1" = INCHES

ANB46140.13

FULL SIZE C/K LD PICKUPS

Front Axle Tire Data Chart – C/K 10000 Pickups

SERIES	OPT	SLR	TIRES	GVW RATING	REAR WHEEL	TRACK	WHEEL OFFSET	MAX TIRE WIDTH	GROUND CLEARANCE
CK10703	Z83/Z85/E63/Z71/Z60	370	P265/65R18	6400	SINGLE	1726.3	31.0	TBD	217.6
C10753	Z83/Z85/E63/Z71/Z60	351	P245/70R17	6800	SINGLE	1726.3	31.0	266.0	181.4
C10753	Z83/Z85/E63/Z71/Z60	368	P265/70R17	6800	SINGLE	1726.3	31.0	281.0	198.6
C10753	Z83/Z85/E63/Z71/Z60	370	P265/65R18	6800	SINGLE	1726.3	31.0	286.0	206.7
C10753	Z83/Z85/E63/Z71/Z60	368	P275/55R20	6800	SINGLE	1726.3	31.0	298.0	199.2
C10753	Z83/Z85/E63/Z71/Z60	359	LT245/70R17	7000	SINGLE	1726.3	31.0	266.0	195.7
C10753	Z83/Z85/E63/Z71/Z60	366	P265/70R17	7000	SINGLE	1726.3	31.0	281.0	202.7
C10753	Z83/Z85/E63/Z71/Z60	368	P275/55R20	7000	SINGLE	1726.3	31.0	298.0	205.3
K10753	Z83/Z85/E63/Z71/Z60	365	P265/70R17	7000	SINGLE	1726.3	31.0	281.0	207.6
K10753	Z83/Z85/E63/Z71/Z60	367	P265/65R18	7000	SINGLE	1726.3	31.0	286.0	189.9
K10753	Z83/Z85/E63/Z71/Z60	365	P275/55R20	7000	SINGLE	1726.3	31.0	298.0	208.0
K10753	Z83/Z85/E63/Z71/Z60	356	LT245/70R17	7200	SINGLE	1726.3	31.0	266.0	199.1
K10753	Z83/Z85/E63/Z71/Z60	363	P265/70R17	7200	SINGLE	1726.3	31.0	281.0	185.9
K10753	Z83/Z85/E63/Z71/Z60	365	P275/55R20	7200	SINGLE	1726.3	31.0	298.0	208.0
C10903	Z83/Z85/E63/Z71	353	P245/70R17	6400	SINGLE	1726.3	31.0	266.0	195.6
C10903	Z83/Z85/E63/Z71	370	P265/70R17	6400	SINGLE	1726.3	31.0	281.0	203.4
C10903	Z83/Z85/E63/Z71	370	P265/65R18	6400	SINGLE	1726.3	31.0	286.0	202.8
K10903	VYU/Z83/Z85/E63/Z71	347	P245/70R17	6800	SINGLE	1726.3	31.0	266.0	173.8
K10903	VYU/Z83/Z85/E63/Z71	370	P265/65R18	6800	SINGLE	1726.3	31.0	286.0	195.8
K10903	VYU/Z83/Z85/E63/Z71	359	LT245/70R17	6800	SINGLE	1726.3	31.0	266.0	184.8
K10903	VYU/Z83/Z85/E53Z71	365	P265/70R17	6800	SINGLE	1726.3	31.0	281.0	191.1
C10953	Z83/Z85/E63/Z71	350	P245/70R17	6900	SINGLE	1726.3	31.0	266.0	186.2
C10953	Z83/Z85/E63/Z71	369	P265/65R18	6900	SINGLE	1726.3	31.0	286.0	204.7
C10953	Z83/Z85/E63/Z71	367	P265/70R17	6900	SINGLE	1726.3	31.0	291.0	202.4
K10953	Z83/Z85/E63/Z71	348	P245/70R17	7000	SINGLE	1726.3	31.0	266.0	194.0
K10953	Z83/Z85/E63/Z71	365	P265/70R17	7000	SINGLE	1726.3	31.0	291.0	211.2
K10953	Z83/Z85/E63/Z71	367	P265/65R18	7000	SINGLE	1726.3	31.0	286.0	212.6

GMT900 TRUCKS FRONT AXLE/TIRE DATA 1000 SERIES (2007)

METRIC CONVERSION TO INCHES
MM / 25.4 = INCHES

ANB46140.17

FULL SIZE C/K LD PICKUPS

Front Axle Tire Data Chart – C/K 1000 Pickups

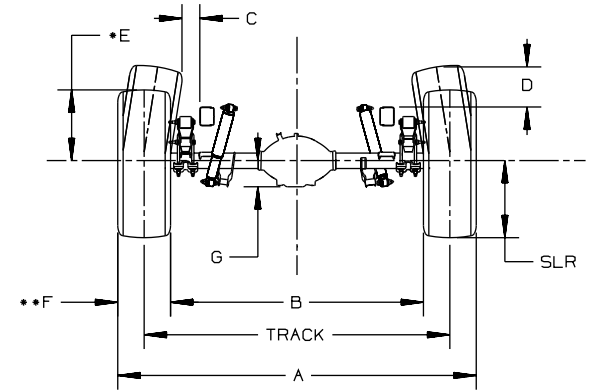
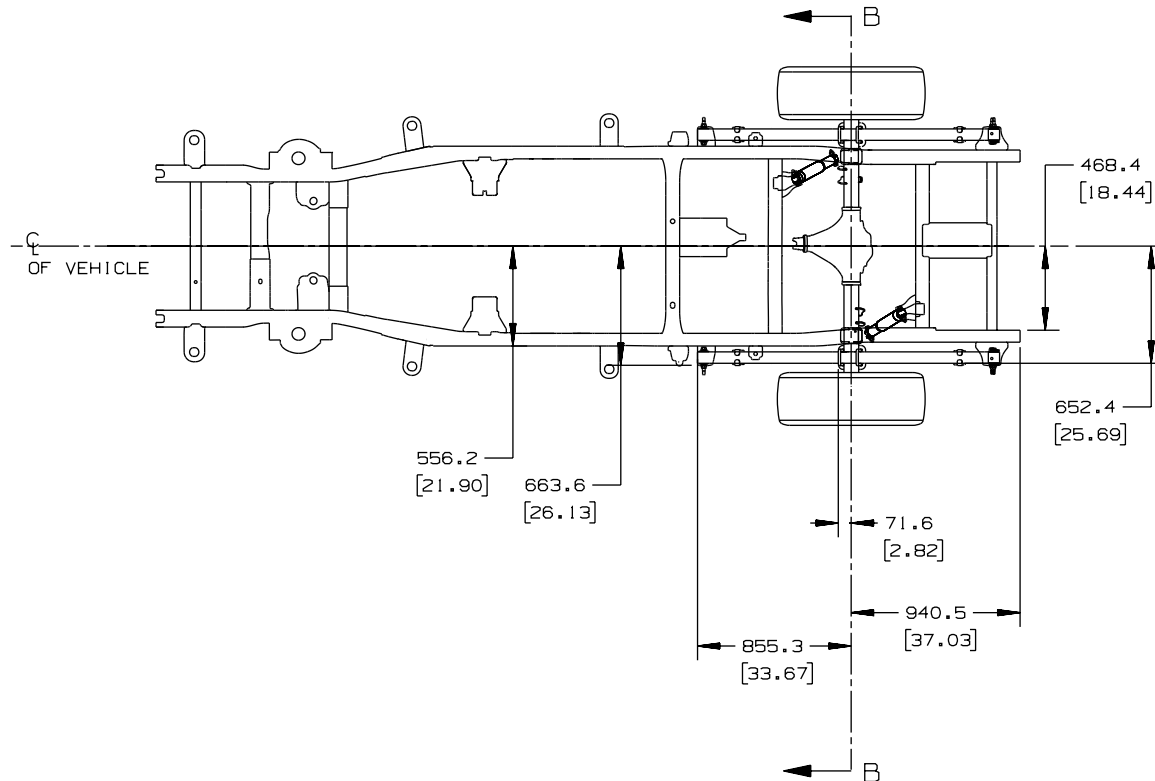
SERIES	OPT	SLR	TIRES	GVW RATING	REAR WHEEL	TRACK	WHEEL OFFSET	MAX TIRE WIDTH	GROUND CLEARANCE
C10543	Z71/783/Z85/E63	346	LT245/70R17	6800	SINGLE	1726.3	31.0	266.0	183.0
C10543	Z71/783/Z85/E63	346	P245/70R17	6800	SINGLE	1726.3	31.0	266.0	183.0
C10543	Z71/783/Z85/E63	370	P265/65R18	6800	SINGLE	1726.3	31.0	286.0	206.7
C10543	Z71/783/Z85/E63	359	LT245/70R17	6800	SINGLE	1726.3	31.0	266.0	195.7
C10543	Z71/783/Z85/E63	368	P265/70R17	6800	SINGLE	1726.3	31.0	281.0	203.8
C10543	Z71/783/Z85/E63	368	P275/55R20	6800	SINGLE	1726.3	31.0	298.0	205.0
K10543	Z71/783/Z85/E63	365	P275/55R20	7000	SINGLE	1726.3	31.0	298.0	211.4
K10543	Z71/783/Z85/E63	367	P265/65R18	7000	SINGLE	1726.3	31.0	286.0	212.7
C10543	Z71/783/Z85/E63	368	P265/65R18	7100	SINGLE	1726.3	31.0	286.0	220.0
K10543	Z71/783/Z85/E63	365	P265/70R17	7000	SINGLE	1726.3	31.0	281.0	204.0
K10543	Z71/783/Z85/E63	348	LT245/70R17	7000	SINGLE	1726.3	31.0	266.0	193.6
K10543	Z71/783/Z85/E63	348	P245/70R17	7000	SINGLE	1726.3	31.0	266.0	193.6
K10543	Z71/783/Z85/E63	356	LT245/70R17	7300	SINGLE	1726.3	31.0	266.0	202.5
K10543	Z71/783/Z85/E63	365	P275/55R20	7300	SINGLE	1726.3	31.0	298.0	211.4
K10543	Z71/783/Z85/E63	363	P265/70R17	7300	SINGLE	1726.3	31.0	281.0	208.7

GMT900 TRUCKS FRONT AXLE/TIRE DATA 1000 SERIES (2007)

METRIC CONVERSION TO INCHES
MM / 25.4 = INCHES

FULL SIZE C/K LD PICKUPS

Rear Axle Tire Data Drawing – C/K 10000 Pickups



SECTION B-B
ROTATED 90

A = TRACK + F
 B = TRACK - F

* MAX GROWN TIRE RADIUS ON NARROWEST RIM
 ** MAX GROWN TIRE WIDTH ON WIDEST RIM
 TIRE CHAINS NOT INCLUDED

- VYU = SNOW FLOW
- ZB3 = CHASSIS PACKAGE SOLID SMOOTH RIDE
- ZB5 = CHASSIS PACKAGE INCREASED CAPACITY
- E63 = BODY EQUIPMENT FLEETSIDE PICKUP BOX
- Z71 = CHASSIS PACKAGE OFF ROAD

RING GEAR	G
18.6 DIA	139.0 [5.47]
19.5 DIA	160.0 [6.30]

GMT900 TRUCKS REAR AXLE/TIRE DATA 1000 SERIES(2007)

1:1 INCHES

ANB46140.5

FULL SIZE C/K LD PICKUPS

Rear Axle Tire Data Chart – C/K 10000 Pickups

SERIES	OPT	SLR	TIRES	GVW RATING	REAR WHEEL	TRACK	WHEEL OFFSET	- A -	- B -	- C -	- D -	- E -	- F -
CK10703	Z83/Z85/E63	369	P265/65R18	6400	SINGLE	1701.8	31.0	1986.9	1414.9	119.9	234.9	408.5	286.0
CK10703	Z83/Z85/E63	367	P265/70R17	6400	SINGLE	1701.8	31.0	1980.8	1418.8	123.7	171.2	410.0	281.0
CK10703	Z83/Z85/E63	345	P245/70R17	6400	SINGLE	1701.8	31.0	1967.9	1435.9	130.3	228.9	393.9	266.0
CK10703	Z83/Z85/E63	367	P275/55R20	6400	SINGLE	1701.8	31.0	1999.0	1403.0	112.3	244.3	410.0	298.0
CK10703	VYU/Z83/Z85/E63	345	LT245/70R17	6400	SINGLE	1701.8	31.0	1967.9	1435.9	130.6	229.7	393.9	266.0
C10753	Z83/Z85/E63/Z71/Z60	345	P245/70R17	6400	SINGLE	1701.8	31.0	1967.9	1435.9	129.9	228.9	393.9	266.0
C10753	Z83/Z85/E63/Z71/Z60	367	P265/70R17	6400	SINGLE	1701.8	31.0	1980.8	1418.8	122.1	236.7	410.0	281.0
C10753	Z83/Z85/E63/Z71/Z60	367	P265/65R18	6800	SINGLE	1701.8	31.0	1986.9	1414.9	118.8	241.3	408.5	286.0
C10753	Z83/Z85/E63/Z71/Z60	348	P245/70R17	6800	SINGLE	1701.8	31.0	1967.9	1435.9	129.9	228.9	393.9	266.0
C10753	Z83/Z85/E63/Z71/Z60	365	P265/70R17	6800	SINGLE	1701.8	31.0	1982.8	1420.8	122.1	236.7	380.0	281.0
C10753	Z83/Z85/E63/Z71/Z60	365	P275/55R20	6800	SINGLE	1701.8	31.0	1999.0	1403.0	111.9	244.3	410.0	298.0
C10753	Z83/Z85/E63/Z71/Z60	361	P265/70R17	7000	SINGLE	1701.8	31.0	1980.8	1418.8	122.1	236.7	410.0	281.0
C10753	Z83/Z85/E63/Z71/Z60	355	LT245/70R17	7000	SINGLE	1701.8	31.0	1967.9	1435.9	130.2	229.7	396.9	266.0
C10753	Z83/Z85/E63/Z71/Z60	365	P275/55R20	7000	SINGLE	1701.8	31.0	1999.0	1403.0	111.9	244.3	410.0	298.0
K10753	Z83/Z85/E63/Z71/Z60	355	P245/70R17	7000	SINGLE	1701.8	31.0	1967.9	1435.9	129.9	228.9	393.9	266.0
K10753	Z83/Z85/E63/Z71/Z60	367	P265/65R18	7000	SINGLE	1701.8	31.0	1986.9	1414.9	118.8	241.3	408.5	286.0
K10753	Z83/Z85/E63/Z71/Z60	365	P265/70R17	7000	SINGLE	1701.8	31.0	1982.8	1420.8	122.1	236.7	380.0	281.0
K10753	Z83/Z85/E63/Z71/Z60	365	P275/55R20	7000	SINGLE	1701.8	31.0	1999.0	1403.0	111.9	244.3	410.0	298.0
K10753	Z83/Z85/E63/Z71/Z60	361	P265/70R17	7200	SINGLE	1701.8	31.0	1980.8	1418.8	122.1	236.7	410.0	281.0
K10753	Z83/Z85/E63/Z71/Z60	355	LT245/70R17	7200	SINGLE	1701.8	31.0	1967.9	1435.9	130.2	229.7	393.9	266.0
K10753	Z83/Z85/E63/Z71/Z60	363	P275/55R20	7200	SINGLE	1701.8	31.0	1999.0	1403.0	111.9	244.3	410.0	298.0
C10903	Z85/Z83/Z71/E63	345	LT245/70R17	6400	SINGLE	1701.8	31.0	1967.9	1435.9	130.2	229.7	393.9	266.0
C10903	Z85/Z83/Z71/E63	369	P265/65R18	6400	SINGLE	1701.8	31.0	1980.8	1418.8	118.8	241.3	410.0	281.0
C10903	Z85/Z83/Z71/E63	349	P245/70R17	6400	SINGLE	1701.8	31.0	1967.9	1435.9	130.2	229.7	393.9	266.0
C10903	Z85/Z83/Z71/E63	367	P265/70R17	6400	SINGLE	1701.8	31.0	1980.8	1418.8	119.5	234.9	410.0	281.0
K10903	Z85/Z83/Z71/E63/VYU	345	P245/70R17	6400	SINGLE	1701.8	31.0	1967.9	1435.9	130.2	229.7	393.9	266.0
K10903	Z85/Z83/Z71/E63/VYU	367	P265/70R17	6400	SINGLE	1701.8	31.0	1980.8	1418.8	119.5	234.9	410.0	281.0
K10903	Z85/Z83/Z71/E63/VYU	345	LT245/70R17	6400	SINGLE	1701.8	31.0	1967.9	1435.9	130.2	229.7	393.9	266.0
K10903	Z85/Z83/Z71/E63/VYU	367	P265/65R18	6800	SINGLE	1701.8	31.0	1986.9	1414.9	122.1	236.8	408.5	286.0
K10903	Z85/Z83/Z71/E63/VYU	348	LT245/70R17	6800	SINGLE	1701.8	31.0	1967.9	1435.9	130.2	229.7	393.9	266.0
K10903	Z85/Z83/Z71/E63/VYU	348	P245/70R17	6800	SINGLE	1701.8	31.0	1967.9	1435.9	130.2	229.7	393.9	266.0
K10903	Z85/Z83/Z71/E63/VYU	365	P265/70R17	6800	SINGLE	1701.8	31.0	1980.8	1418.8	119.5	234.9	410.0	281.0

GMT900 TRUCKS REAR AXLE/TIRE DATA 1000 SERIES (2007)

METRIC CONVERSION TO INCHES
MM / 25.4 = INCHES

ANB46140.6

FULL SIZE C/K LD PICKUPS

Rear Axle Tire Data Chart – C/K 10000 Pickups

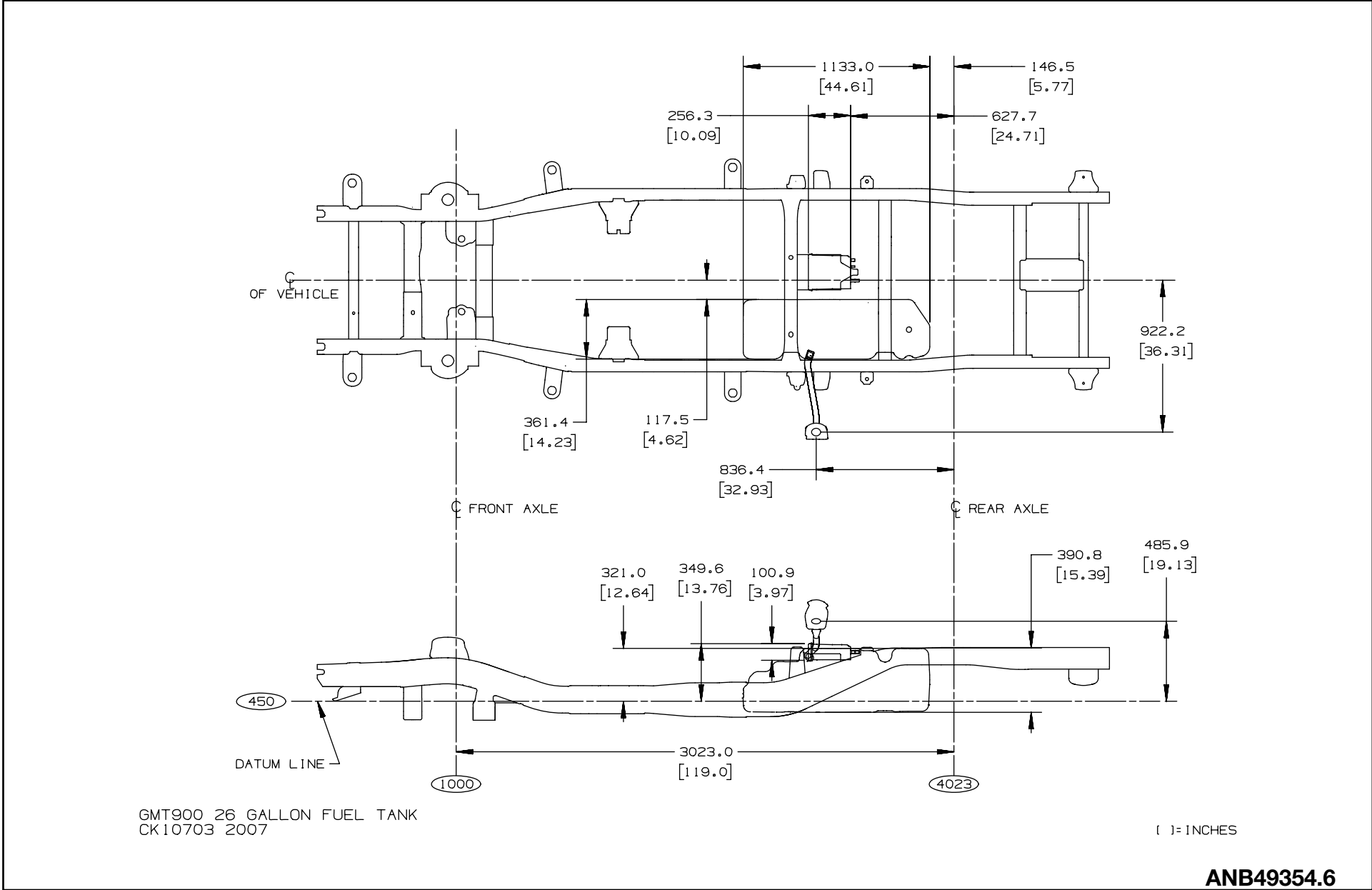
SERIES	OPT	SLR	TIRES	GVW RATING	REAR WHEEL	TRACK	WHEEL OFFSET	-A-	-B-	-C-	-D-	-E-	-F-
C10953	Z83/Z85/E63/Z71	367	P265/65R18	6900	SINGLE	1701.8	31.0	1986.9	1414.9	118.8	241.3	408.5	286.0
C10953	Z83/Z85/E63/Z71	348	P245/70R17	6900	SINGLE	1701.8	31.0	1967.9	1435.9	129.9	228.9	393.9	266.0
C10953	Z83/Z85/E63/Z71	365	P265/70R17	6900	SINGLE	1701.8	31.0	1980.8	1418.8	122.2	236.8	410.0	281.0
K10953	Z83/Z85/E63/Z71	367	P265/65R18	7000	SINGLE	1701.8	31.0	1986.9	1414.9	118.8	241.3	408.5	286.0
K10953	Z83/Z85/E63/Z71	355	P245/70R17	7000	SINGLE	1701.8	31.0	1967.9	1435.9	129.9	228.9	393.9	266.0
K10953	Z83/Z85/E63/Z71	365	P265/70R17	7000	SINGLE	1701.8	31.0	1980.8	1418.8	122.2	236.8	410.0	281.0
C10543	Z83/Z85/E63/Z71/Z60	367	P265/65R18	6800	SINGLE	1701.8	31.0	1986.9	1414.9	118.8	241.3	408.5	286.0
C10543	Z83/Z85/E63/Z71/Z60	348	LT245/70R17	6800	SINGLE	1701.8	31.0	1967.9	1435.9	130.2	229.7	393.9	266.0
C10543	Z83/Z85/E63/Z71/Z60	348	P245/70R17	6800	SINGLE	1701.8	31.0	1967.9	1435.9	130.2	229.7	393.9	266.0
C10543	Z83/Z85/E63/Z71/Z60	365	P265/70R17	6800	SINGLE	1701.8	31.0	1980.8	1418.8	122.2	236.8	410.0	281.0
C10543	Z83/Z85/E63/Z71/Z60	365	P275/55R20	6800	SINGLE	1701.8	31.0	1999.0	1403.0	111.9	244.3	410.0	298.0
K10543	Z83/Z85/E63/Z71/Z60	355	LT245/70R17	7000	SINGLE	1701.8	31.0	1967.9	1435.9	130.2	229.7	393.9	266.0
K10543	Z83/Z85/E63/Z71/Z60	367	P265/65R18	7000	SINGLE	1701.8	31.0	1986.9	1414.9	118.8	241.3	408.5	286.0
K10543	Z83/Z85/E63/Z71/Z60	365	P275/55R20	7000	SINGLE	1701.8	31.0	1999.0	1403.0	111.9	244.3	410.0	298.0
C10543	Z83/Z85/E63/Z71/Z60	364	P265/70R17	7100	SINGLE	1701.8	31.0	1980.8	1418.8	122.2	236.8	410.0	281.0
C10543	Z83/Z85/E63/Z71/Z60	363	P265/65R18	7100	SINGLE	1701.8	31.0	1986.9	1414.9	118.8	241.3	408.5	286.0
K10543	Z83/Z85/E63/Z71/Z60	365	P265/70R17	7000	SINGLE	1701.8	31.0	1980.8	1418.8	122.2	236.8	410.0	281.0
K10543	Z83/Z85/E63/Z71/Z60	355	LT245/70R17	7000	SINGLE	1701.8	31.0	1967.9	1435.9	130.2	299.7	393.9	266.0
K10543	Z83/Z85/E63/Z71/Z60	355	P245/70R17	7000	SINGLE	1701.8	31.0	1967.9	1435.9	130.2	229.7	393.9	266.0
K10543	Z83/Z85/E63/Z71/Z60	355	LT245/70R17	7300	SINGLE	1701.8	31.0	1967.9	1435.9	130.2	229.7	393.9	266.0
K10543	Z83/Z85/E63/Z71/Z60	361	P265/70R17	7300	SINGLE	1701.8	31.0	1980.8	1418.8	122.2	236.8	410.0	281.0
K10543	Z83/Z85/E63/Z71/Z60	363	P275/55R20	7300	SINGLE	1701.9	31.0	1999.0	1403.0	111.9	244.3	410.0	298.0

GMT900 TRUCKS REAR AXLE/TIRE DATA 1000 SERIES(2007)

METRIC CONVERSION TO INCHES
MM / 25.4 = INCHES

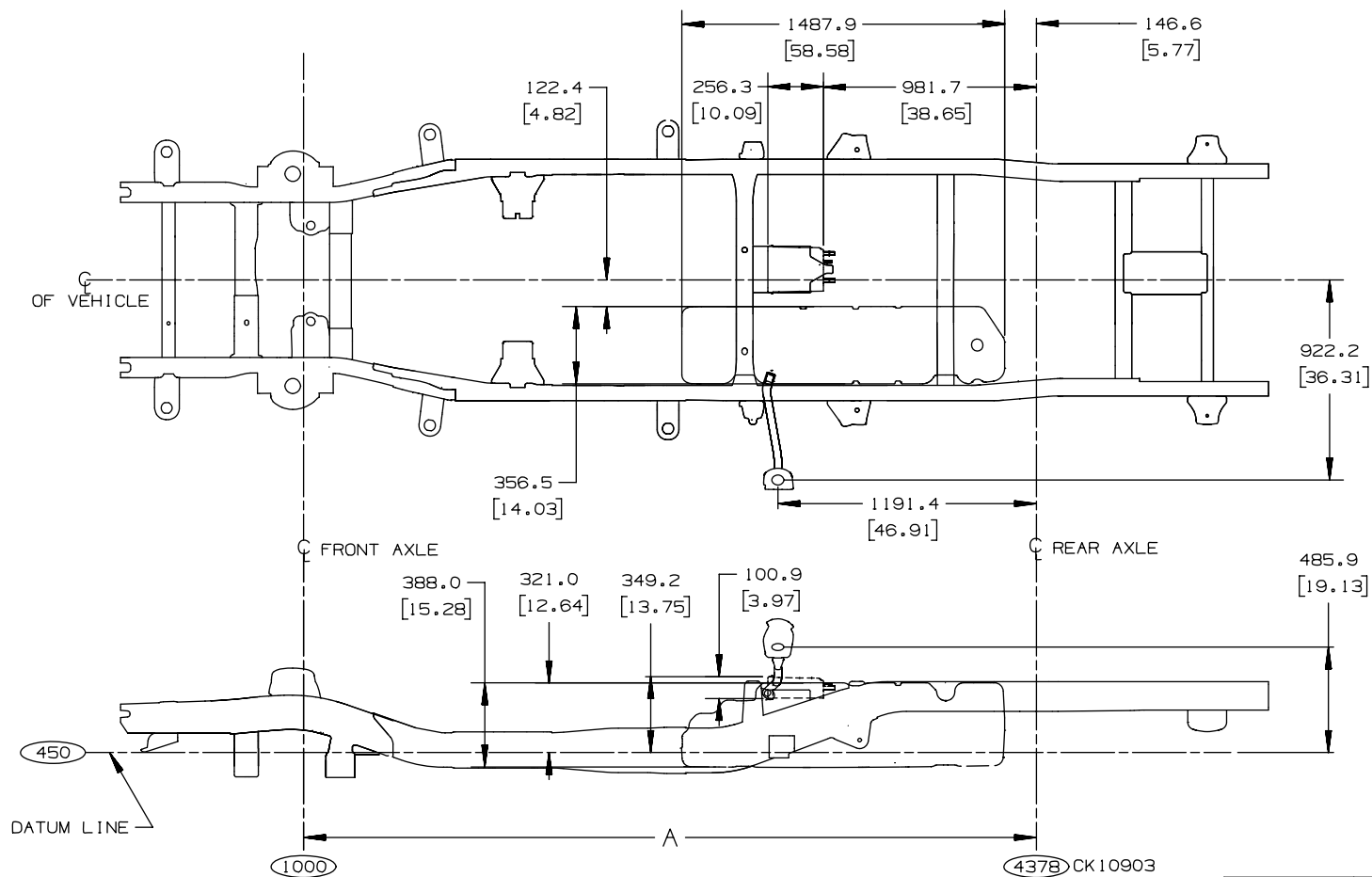
FULL SIZE C/K LD PICKUPS

C/K 10703 – Fuel Systems



FULL SIZE C/K LD PICKUPS

C/K 10903/53 Pickups – Fuel Systems



MODEL	A
CK 10903	3378.0 [133.0]
CK 10953	5000.5 [157.5]

GMT900 34 GALLON FUEL TANK
CK 10903/53 2007

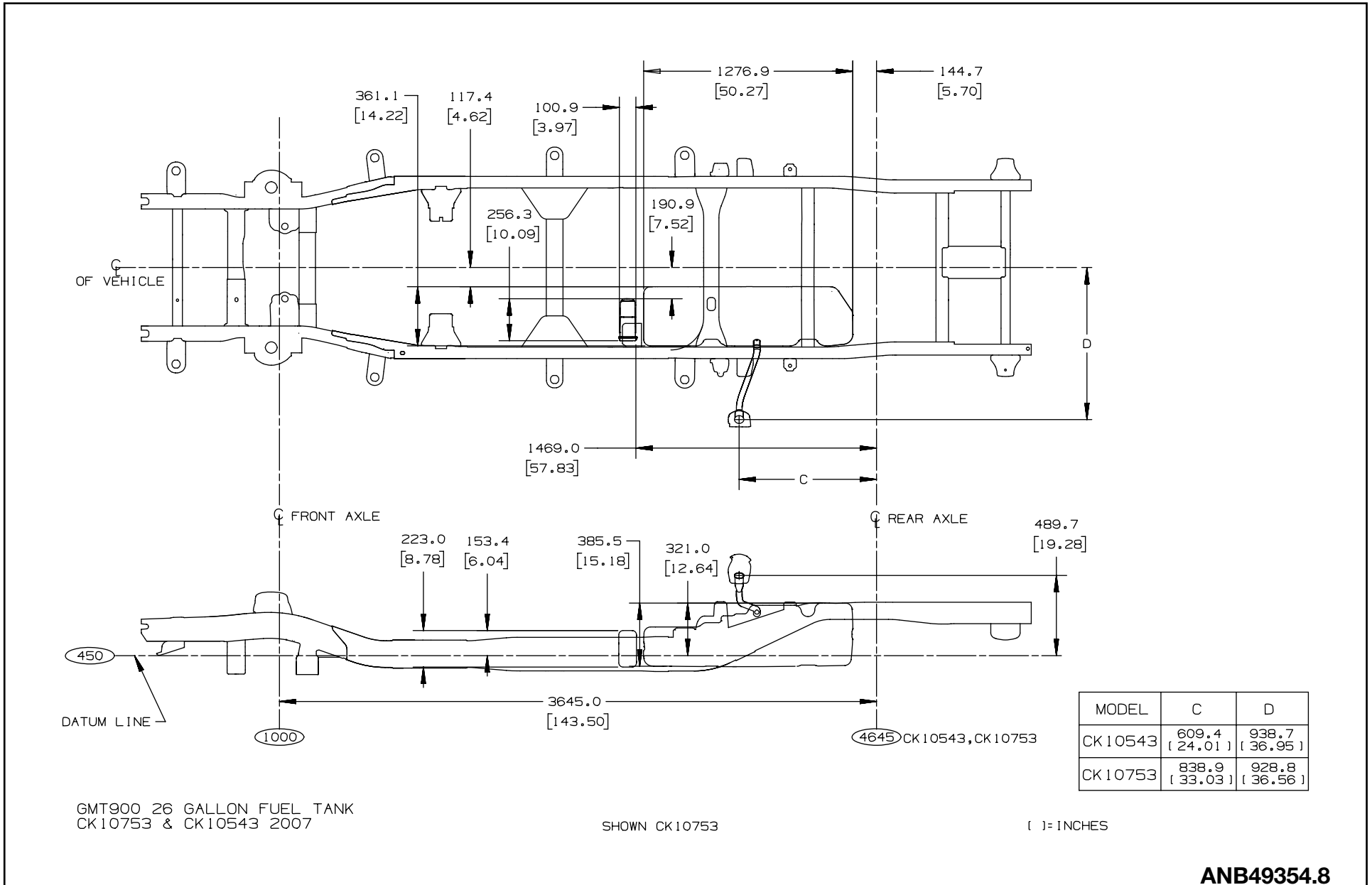
SHOWN CK10903

[] = INCHES

ANB49354.7

FULL SIZE C/K LD PICKUPS

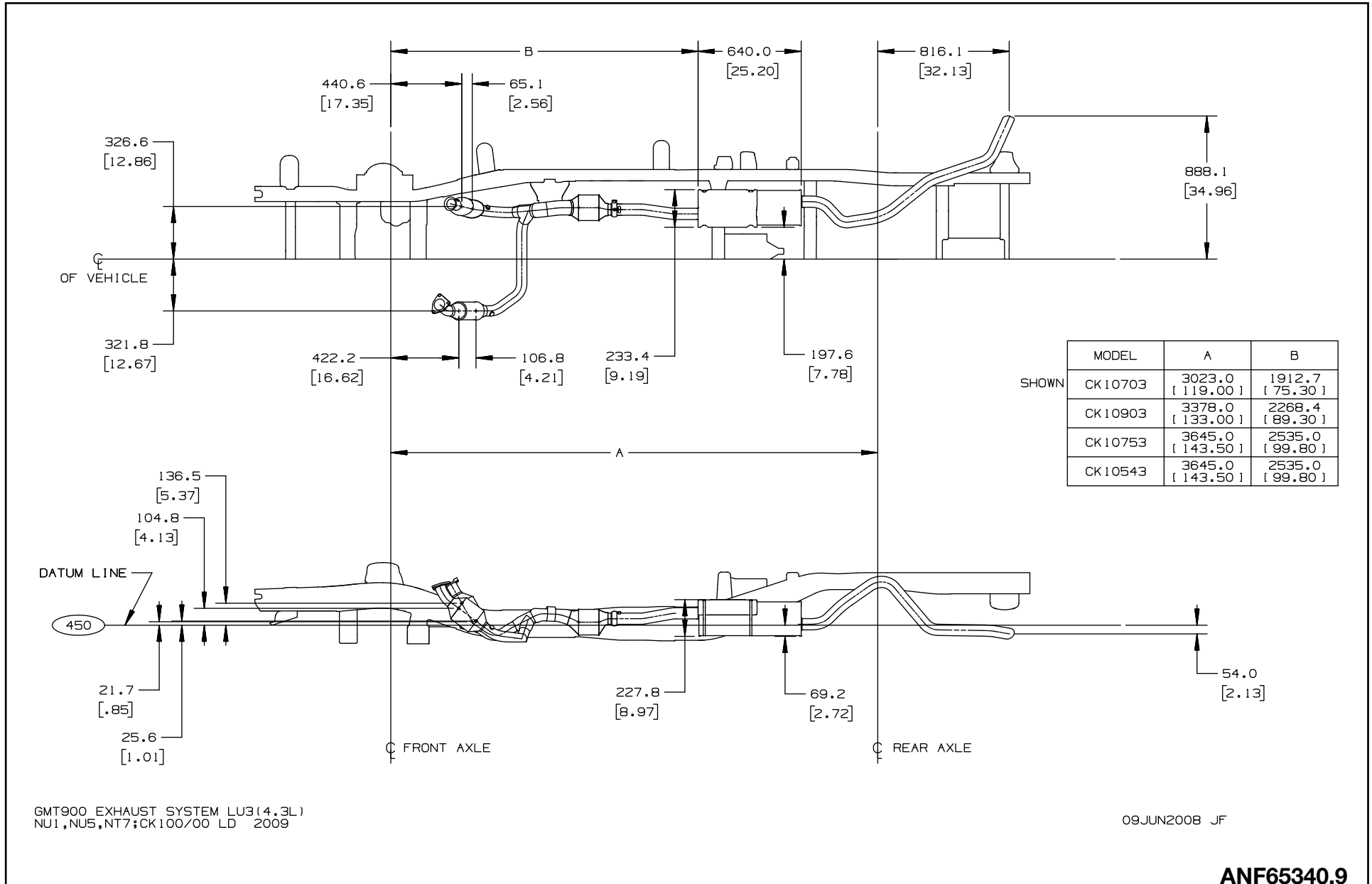
C/K 10753 and C/K 10543 Pickups – Fuel Systems



ANB49354.8

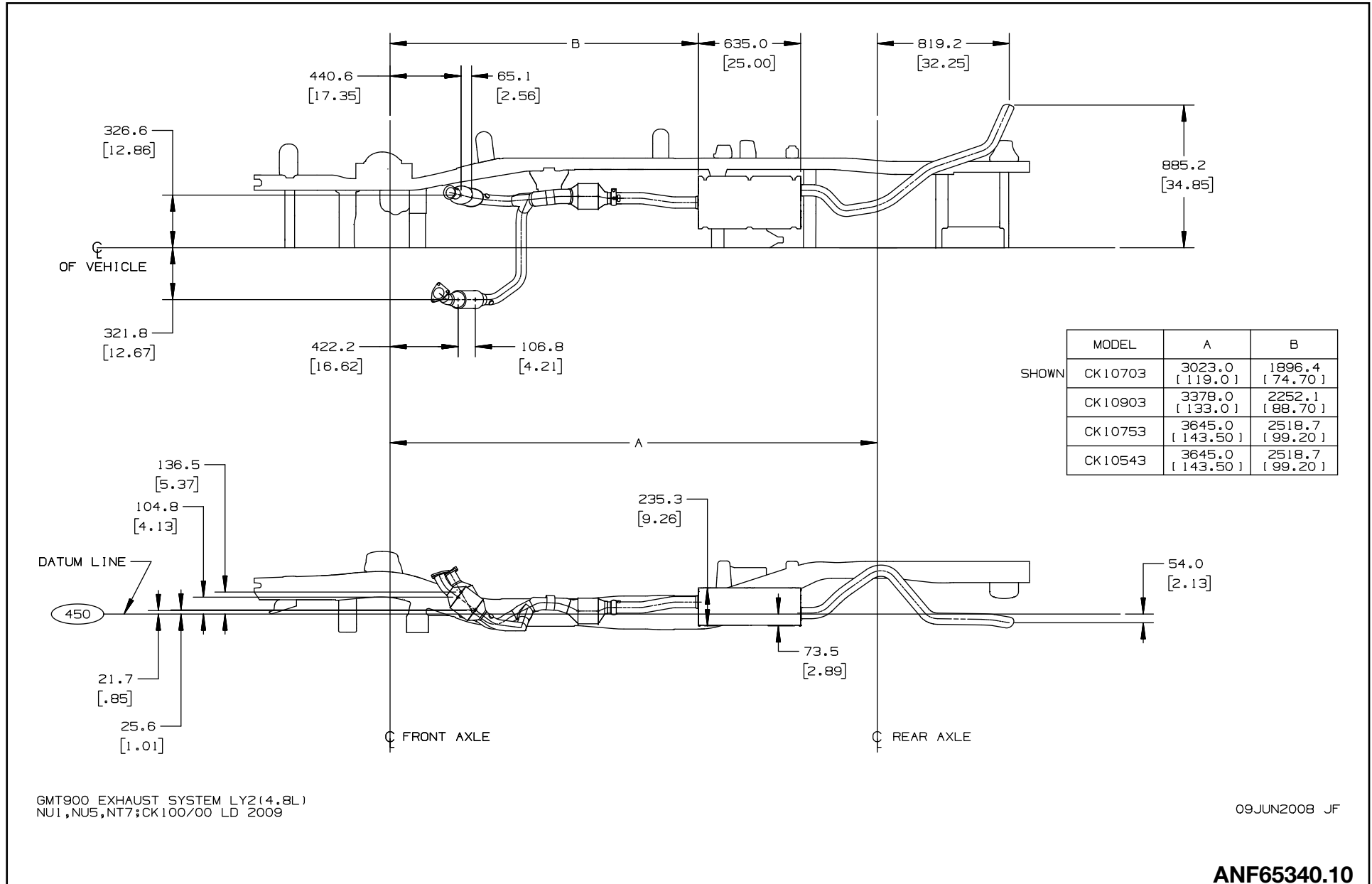
FULL SIZE C/K LD PICKUPS

C/K 100 (00) w/LU3 (4.3L V6) – Exhaust Systems



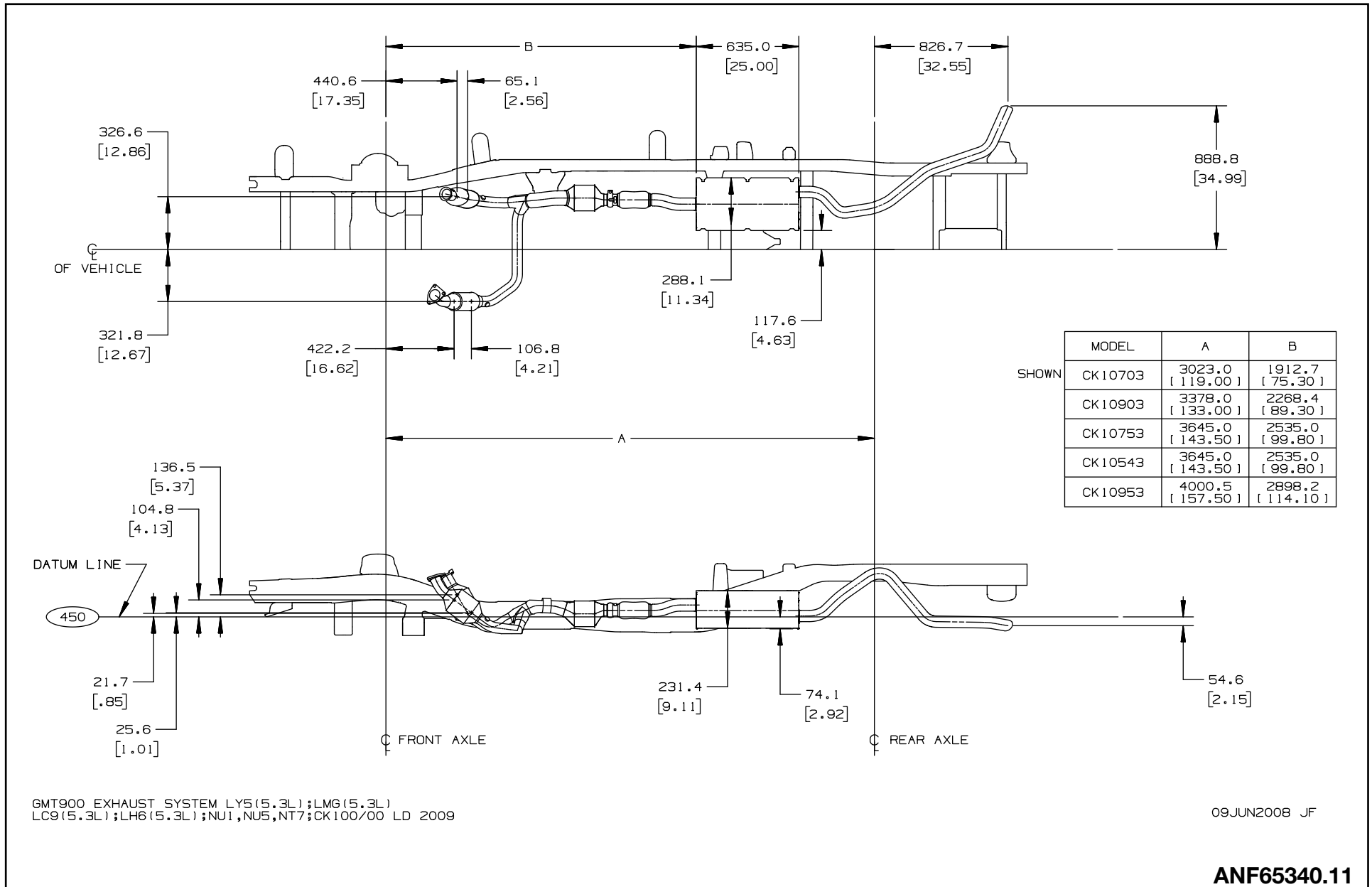
FULL SIZE C/K LD PICKUPS

C/K 100 (00) w/L20 (4.8L V8) – Exhaust Systems



FULL SIZE C/K LD PICKUPS

C/K 100 (00) w/LMG, LC9 & (5.3L V6) – Exhaust Systems



FULL SIZE C/K LD PICKUPS

C/K 100 (00) w/LZ1 Hybrid (6.0L V8) – Exhaust Systems

