

FULL SIZE C/K LD PICKUPS

Model Symbol Chart.....	1
General Information.....	See Light Duty BBM “General Information” section
General Instructions	See Light Duty BBM “General Instruction” section
Camper Loading.....	See Online Order/Ref. Guide – “GM Consumer Info. Truck-Camper Loading”
Pickup Box Removal	See Light Duty BBM “Special Applications – Pickup Box Removal Program” section
Snow Plow Prep. Pkg.....	See Light Duty BBM “Special Applications – Snow Plow Prep Package” section
Trailer Information	See Light Duty Online Order/Ref. Guide – “Light Duty Trailering Specs”
Model and Option Weights	See Light Duty Online Order/Ref. Guide – “Model and Opt. Weights” & “Weight Calculator”

VEHICLE

GENERAL ARRANGEMENT

Regular Cab.....	2
Extended Cab.....	3
Crew Cab	4
Body/Cargo Weight Distribution – 6' 6".....	5
Body/Cargo Weight Distribution – 5' 8".....	6
Body/Cargo Weight Distribution – 8'	7

BODY – EXTERIOR

GENERAL ARRANGEMENT

Regular Cab, 6' 6" Box – C/K 15703.....	8
Regular Cab, 8' Box – C/K 15903.....	9
Extended Cab, 6' 6" Box – C/K 15753.....	10
Crew Cab, 6' 6" Box – C/K 15743.....	11
Crew Cab, 5' 8" Box – C/K 15543	12

FRONT END CLIPS

C/K 100 (03/53/43)	13
--------------------------	----

HOOD OPENINGS

C/K 100 (03/53/43)	14
--------------------------	----

FULL SIZE C/K LD PICKUPS

BODY – EXTERIOR – *Continued*

HOOD PROFILES

Chevy X88 – C/K 100 (03/53/43).....	15
GMC Z88 – C/K 100/200/300 (03/53/43).....	16

REAR BACK OF CAB SILHOUETTE

Pickup	17
--------------	----

SIGN AREA

Regular Cab – C/K 100/200/300 (03)	18
Extended Cab – C/K 100/200/300 (53)	19
Crew Cab – C/K 100/200/300 (43).....	20

CAB STEP IN HEIGHTS

Regular Cab (03)	21
Extended Cab (53)	22
Crew Cab (43).....	23

MIRRORS, OUTSIDE REARVIEW

C/K 1000, Option DL8 and C/K 2000, Option DE 2	24
--	----

CAB CLEARANCE LAMPS, CHMSL AND REAR CAB WINDOW

Fixed and Sliding	25
-------------------------	----

CAB PRESSURE VALVE ASSEMBLY

Rear Quarter BodyPanel	26
------------------------------	----

PICKUP BOX

Side Rail Load Points/Paths – Structural Members.....	27
Side Rail Load Points/Paths – Primary/Secondary Load Points.....	28
Side Rail Load Points/Paths – Stake Pocket Openings & Front Structure	29
Side Rail Load Points/Paths – Stake Pocket Openings & Rear Structure	30
Length and Width Dimension for 5' 8", 6' 6" and 8'	31
Inside Panel, 5' 8" Box	32

FULL SIZE C/K LD PICKUPS

BODY – EXTERIOR – PICKUP BOX – *Continued*

Cross Sills Location, 5' 8" Box.....	33
Inside Panel, 6' 6" Box	34
Cross Sills Location, 6' 6" Box.....	35
Inside Panel, 8' Box	36

CAB – INTERIOR

SEATING ARRANGEMENT

Seating Positions and H Points 1st Row Front View, Pickups – C/K 100/200/300 (03/53/43).....	37
Seating Positions and H Points 2nd Row Front View, Pickups – C/K 100/200/300 (03/53/43).....	38
Seating Positions and H Points Side View, Pickups – C/K 100/200/300 (03/53/43).....	39

SEAT MOUNTING HOLES LOCATIONS – FLOOR

C/K 100/200/300 (03/53/43)	40
C/K 15743	41

CHASSIS

DATUM HOLE LOCATION – FRAME

C/K 100 (00) and C/K 200 (00) (00).....	42
---	----

FRAME RAIL AND CROSSMEMBER LOCATION

C/K 15703	43
C/K 15903	44
C/K 15753	45
C/K 15743	46
C/K 15543	47

SPARE TIRE LOCATION

C/K 1000 Series Pickups	48
-------------------------------	----

FULL SIZE C/K LD PICKUPS

CHASSIS – Continued

PLATFORM HITCH

Pickups C/K 100 (03/53/43)49

FRONT AXLE/TIRE DATA

Front Axle Tire Data Drawing – C/K 10000 Pickups.....50

Front Axle Tire Data Chart – C/K 10000 Pickups51

REAR AXLE/TIRE DATA

Rear Axle Tire Data Drawing – C/K 10000 Pickups.....53

Rear Axle Tire Data Chart – C/K 10000 Pickups54

FUEL SYSTEMS

C/K 1570356

C/K 15903 Pickup.....57

C/K 15743, 15753 and C/K 15543 Pickups.....58

EXHAUST SYSTEMS

C/K 100 (00) w/LU3 (4.3L V6)59

C/K 100 (00) w/L83 (5.3L V6)60

C/K 100 (00) (6.2L V8)61

FULL SIZE C/K LD PICKUPS

Model Symbol Chart

MARKETS (Optional)	ENGINEERING MODEL	REGULAR CABS (03) 2 DOOR CHEVROLET / GMC			EXTENDED CABS (53) 4 DOOR CHEVROLET / GMC			CREW CABS (43) 4 DOOR CHEVROLET / GMC		GVWR (kg/lbs)	WHEELBASE (mm/in)	CAB-TO-AXLE (mm/in)
	C155							+ E63 5' 8" Box		3130/6900 3175/7000 3356/7400	3645/143.5	825.5/32.5
	C157	+ E63 6' 6" Box								2948/6500 2994/6600 3039/6700	3023/119.0	1067/42
					+ E63 6' 6" Box					3130/6900 3175/7000 3356/7400	3645/143.5	1067/42
								+ E63 6' 6" Box			3130/6900 3175/7000 3356/7400	3886/153.0
	C159	+ E63 8' Box								3039/6700 3084/6800	3378/133.0	1422/56
	K155							+ E63 5' 8" Box		3220/7100 3266/7200 3447/7600	3647/143.5	825.5/32.5
	K157	+ E63 6' 6" Box								3039/6700 3084/6800	3023/119.0	1067/42
					+ E63 6' 6" Box					3220/7100 3266/7200 3447/7600	3647/143.5	1067/42
								+ E63 6' 6" Box			3220/7100 3266/7200 3447/7600	3886/153.0
	K159	+ E63 8' Box								3130/6900 3175/7000	3378/133.0	1422/56

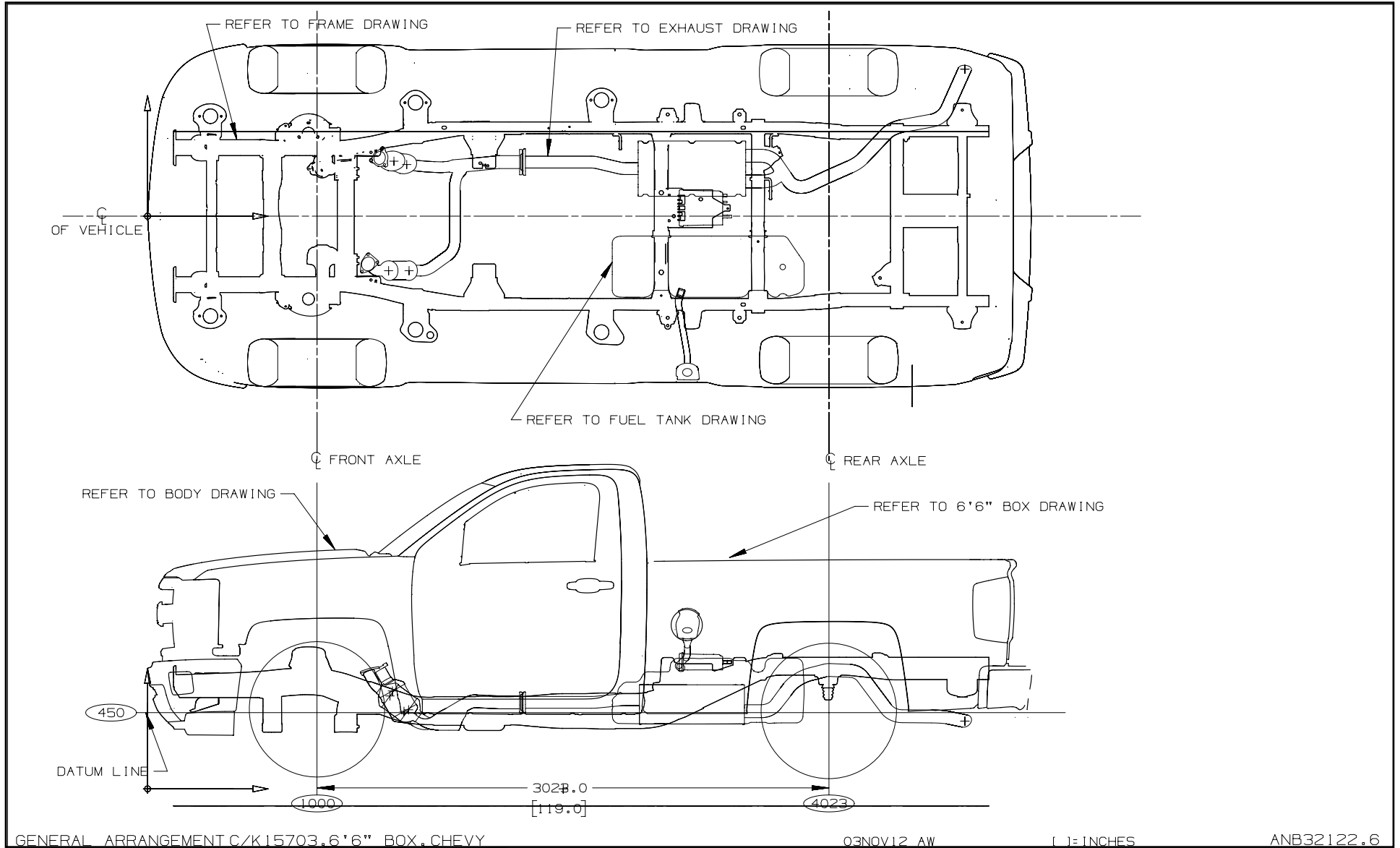
E63 – Fleetside / Wideside Box (5' 8", 6' 6" and 8' Boxes)

ZW9 – Chassis Cab

EXAMPLE: C15903 = 2 DOOR REGULAR CAB / FLEETSIDE/WIDESIDE / 8' BOX

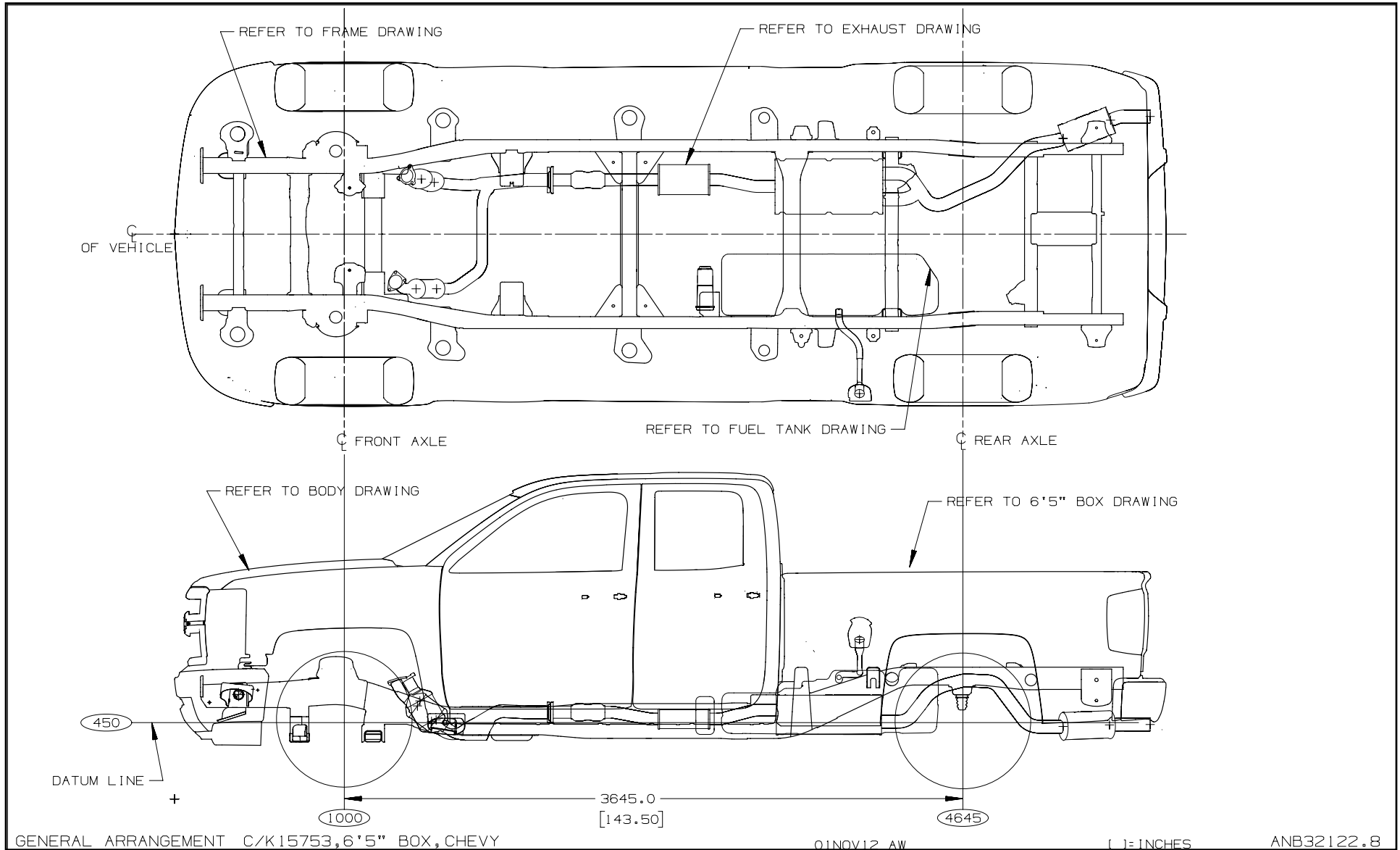
FULL SIZE C/K LD PICKUPS

Regular Cab - General Arrangement



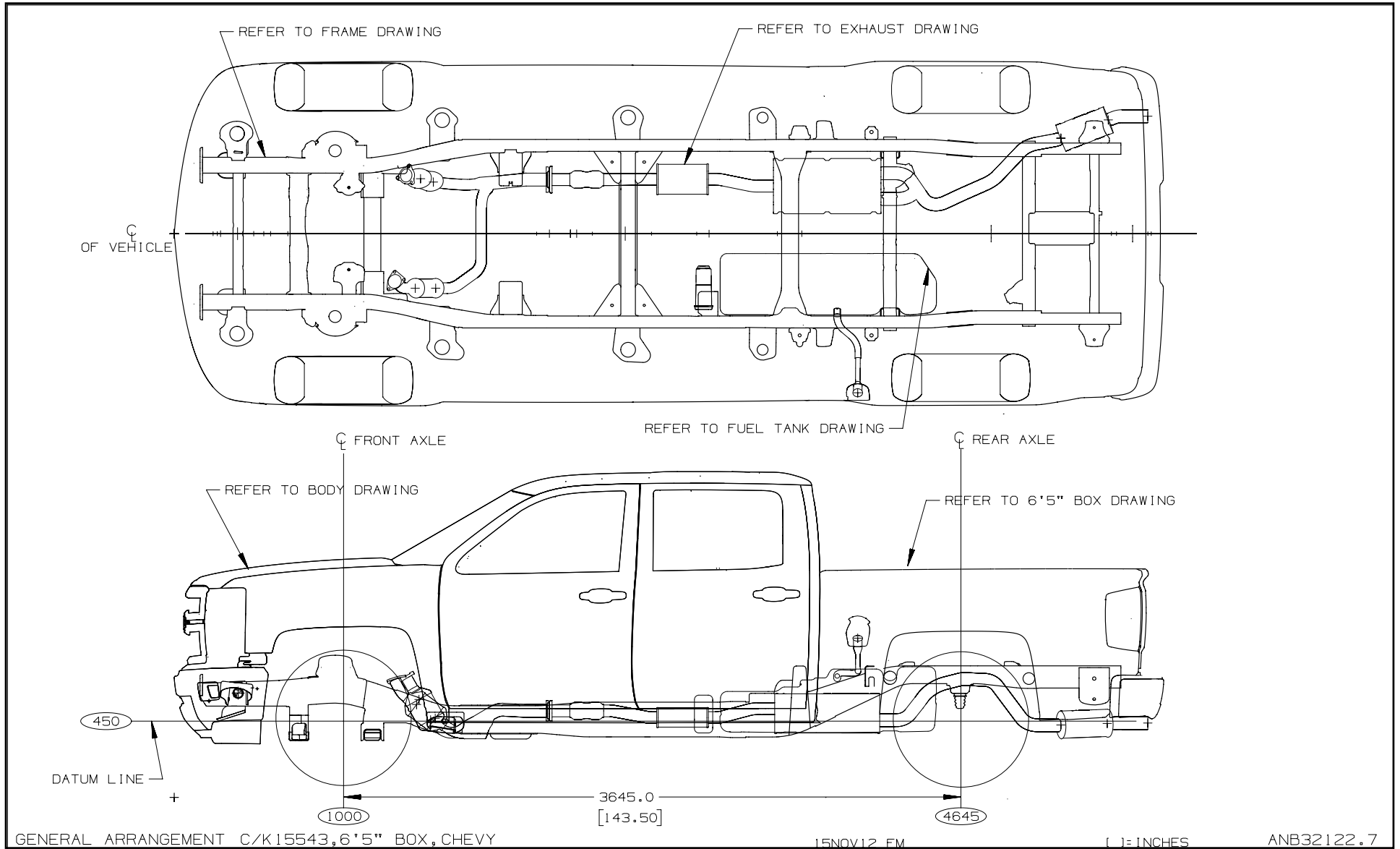
FULL SIZE C/K LD PICKUPS

Extended Cab – General Arrangement



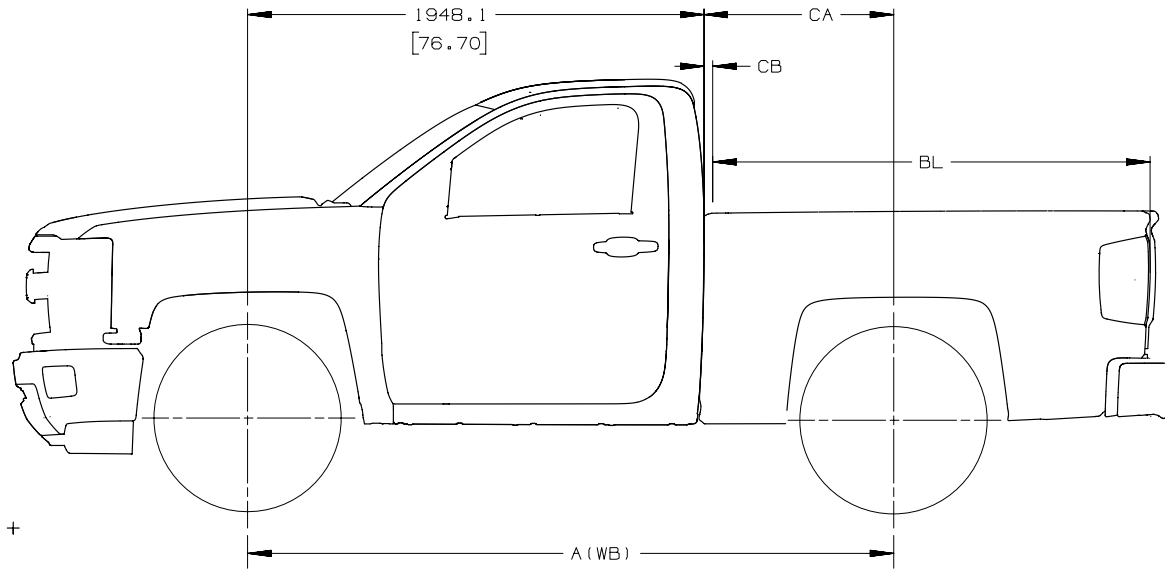
FULL SIZE C/K LD PICKUPS

Crew Cab - General Arrangement



FULL SIZE C/K LD PICKUPS

Body/Cargo Weight Distribution – Pickups – 6' 6"



MODEL	A (WB)	CA	CB	BL	BODY/CARGO WEIGHT DISTRIBUTION	
					% FRONT AXLE	% REAR AXLE
CK15703	3023.0 [119.0]	1075.3 [42.33]	25.4 [1.0]	2062.3 [81.2]	1	99
CK15753	3645.0 [143.5]	1063.4 [41.86]	25.4 [1.0]	2062.3 [81.2]	1	99

NOTE: DIMENSIONS SHOWN ARE NOMINAL.
 CA=CAB TO REAR AXLE DIMENSION
 CB=BODY CLEARANCE BETWEEN BODY AND CAB
 BL=BOX LENGTH
 A (WB) = WHEELBASE

$\frac{\text{CENTER OF GRAVITY OF PAYLOAD TO REAR AXLE}}{\text{WHEELBASE}} \times 100 = \% \text{ BODY PAYLOAD AT FRONT AXLE}$

$\frac{\text{CA}-\text{CB}-(\text{BL}/2)}{\text{A (WB)}} \times 100 = \% \text{ BODY PAYLOAD AT FRONT AXLE}$

BODY/CARGO WEIGHT DISTRIBUTION CK15703 53,6'5" BOX,2014

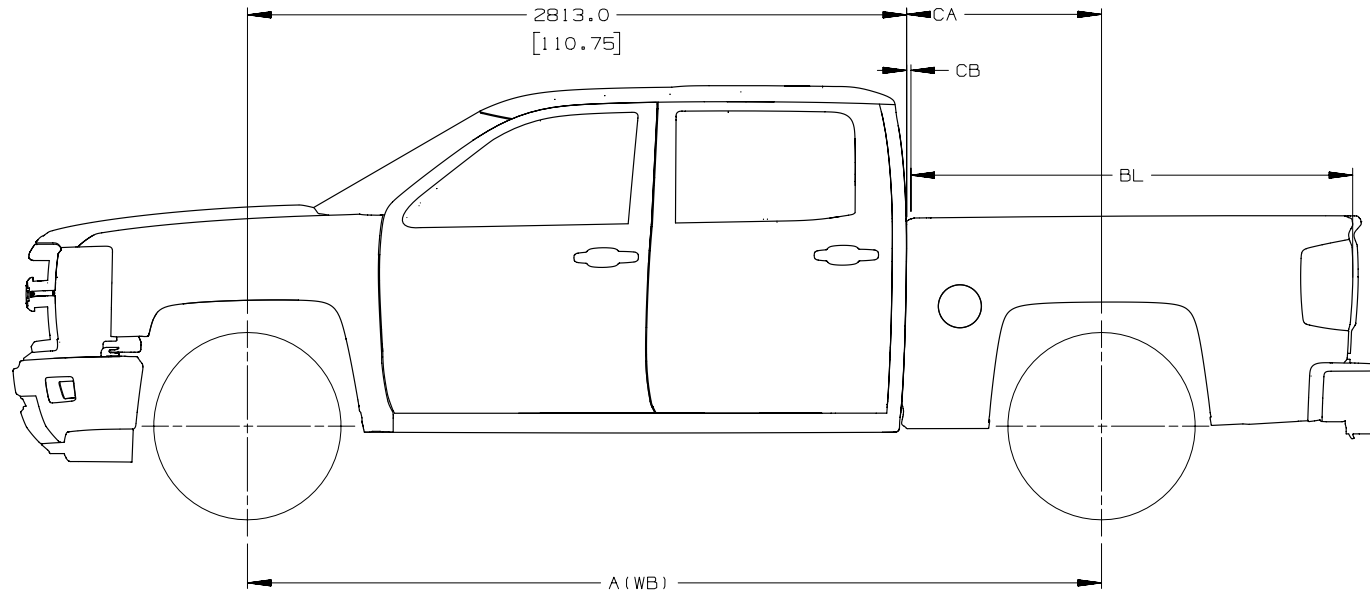
03NOV12 AW

[]=INCHES

ANC07766.3

FULL SIZE C/K LD PICKUPS

Body/Cargo Weight Distribution – Pickups – 5' 8"



MODEL	A (WB)	CA	CB	BL	BODY/CARGO WEIGHT DISTRIBUTION	
					% FRONT AXLE	% REAR AXLE
CK15543	3645.0 [143.5]	831.4 [32.73]	25.4 [1.0]	1885.4 [74.23]	- 4	104

NOTE: DIMENSIONS SHOWN ARE NOMINAL.
 CA=CAB TO REAR AXLE DIMENSION
 CB=BODY CLEARANCE BETWEEN BODY AND CAB
 BL=BODY (BOX) LENGTH
 A (WB) = WHEELBASE

$$\frac{\text{CENTER OF GRAVITY OF PAYLOAD TO REAR AXLE}}{\text{WHEELBASE}} \times 100 = \% \text{ BODY PAYLOAD AT FRONT AXLE}$$

$$\frac{\text{CA} - \text{CB} - (\text{BL}/2)}{\text{A (WB)}} \times 100 = \% \text{ BODY PAYLOAD AT FRONT AXLE}$$

BODY/CARGO WEIGHT DISTRIBUTION CK15543, 5'8" BOX, 2014

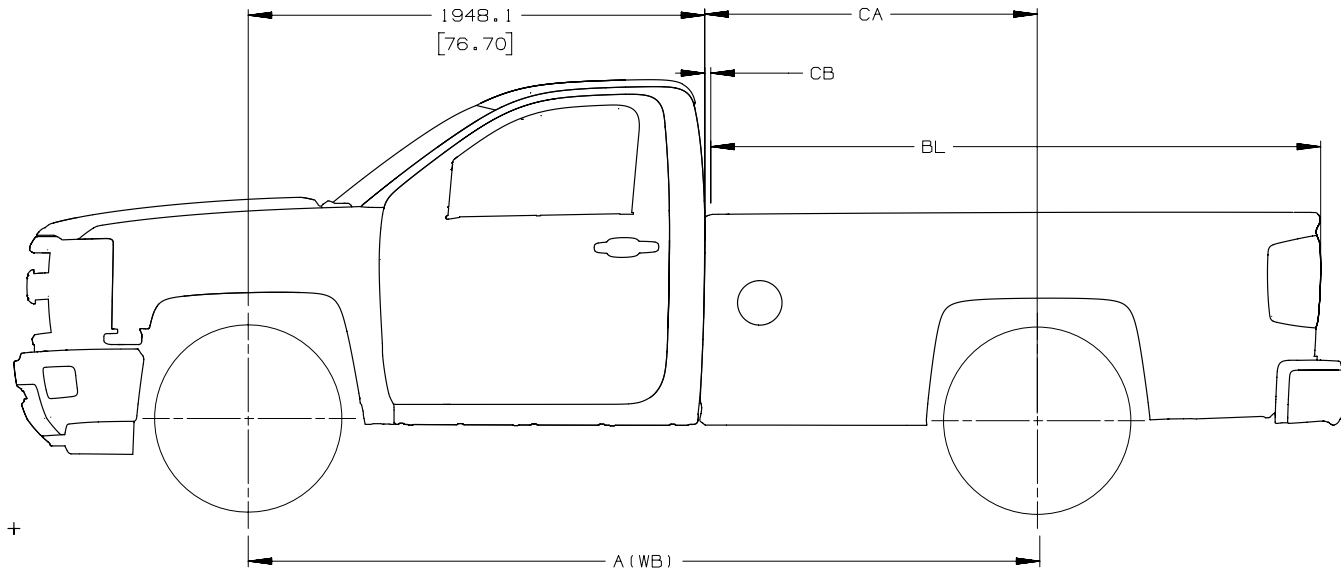
17NOV12 FM

[] = INCHES

ANC07766.4

FULL SIZE C/K LD PICKUPS

Body/Cargo Weight Distribution – Pickups – 8'



BODY/CARGO WEIGHT DISTRIBUTION						
MODEL	A (WB)	CA	CB	BL	% FRONT AXLE	% REAR AXLE
CK15903	3367.91 [132.6]	1422.83 [56.02]	25.4 [1.0]	2627.01 [103.42]	3	97

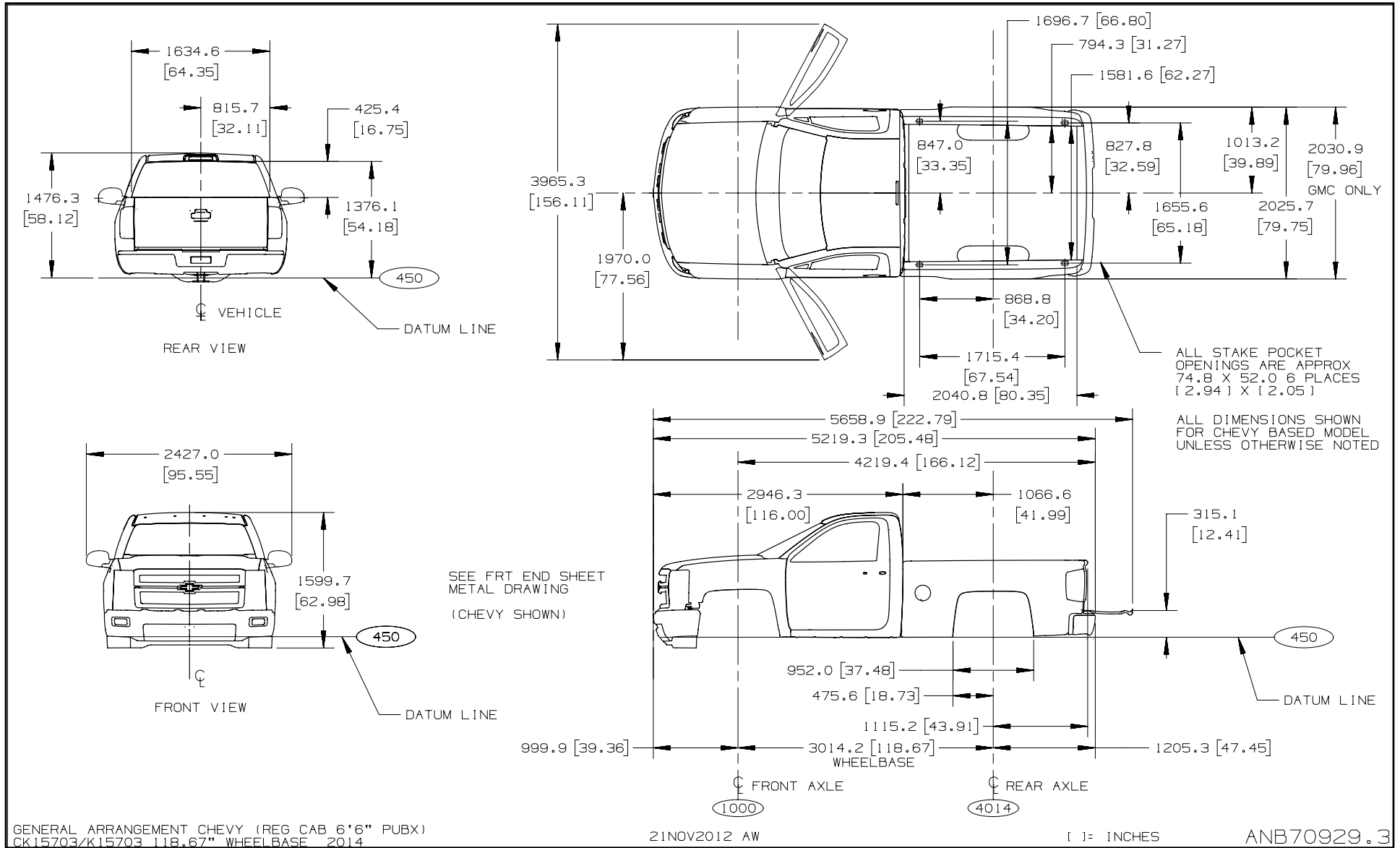
NOTE: DIMENSIONS SHOWN ARE NOMINAL.
 CA=CAB TO REAR AXLE DIMENSION
 CB=BODY CLEARANCE BETWEEN BODY AND CAB
 BL=BOX LENGTH
 A(WB)=WHEELBASE

$$\frac{\text{CENTER OF GRAVITY OF PAYLOAD TO REAR AXLE}}{\text{WHEELBASE}} \times 100 = \% \text{ BODY PAYLOAD AT FRONT AXLE}$$

$$\frac{\text{CA} - \text{CB} - (\text{BL}/2)}{\text{A(WB)}} \times 100 = \% \text{ BODY PAYLOAD AT FRONT AXLE}$$

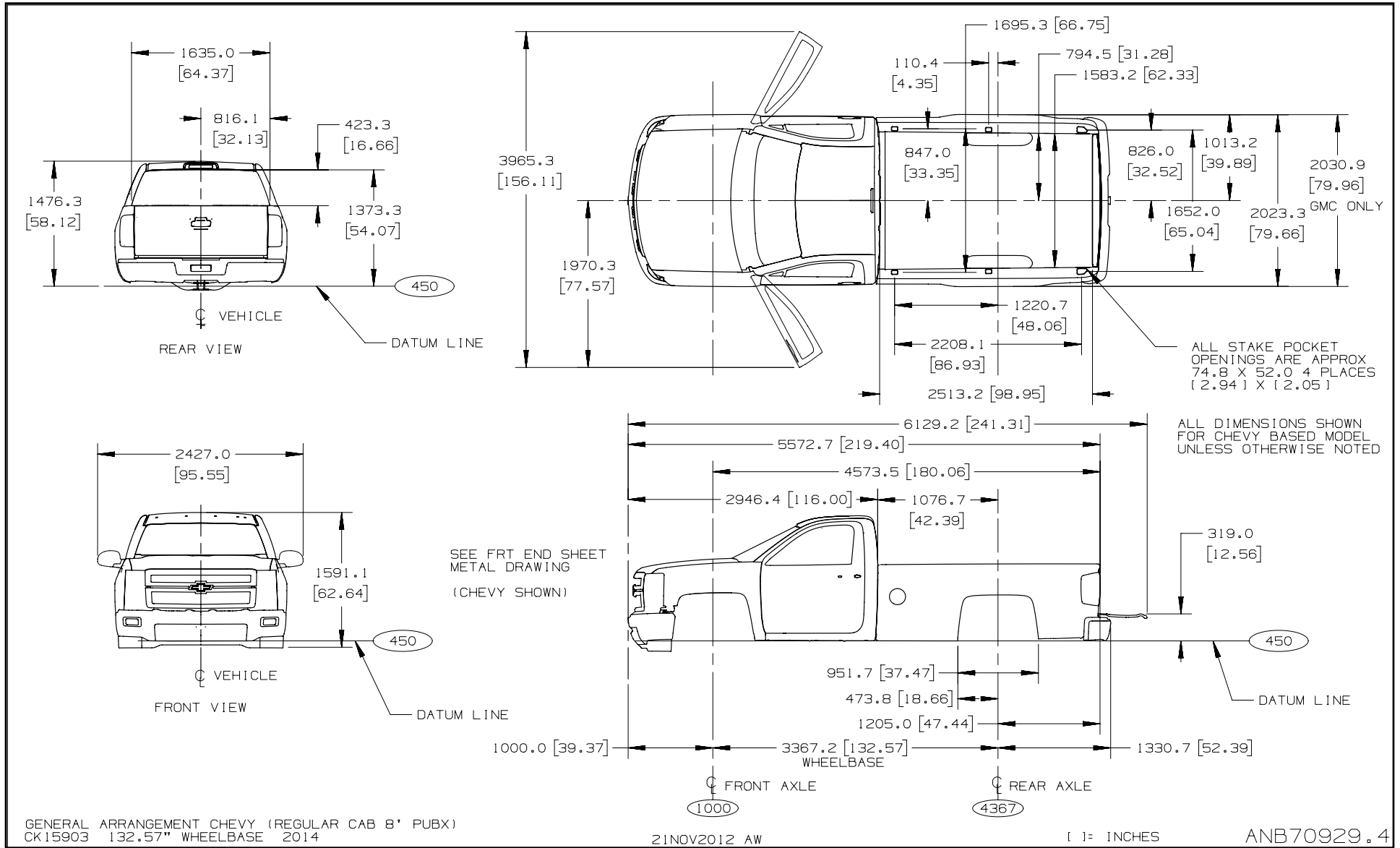
FULL SIZE C/K LD PICKUPS

C/K 15703, Regular Cab 6' 6" Box - Body General Arrangement



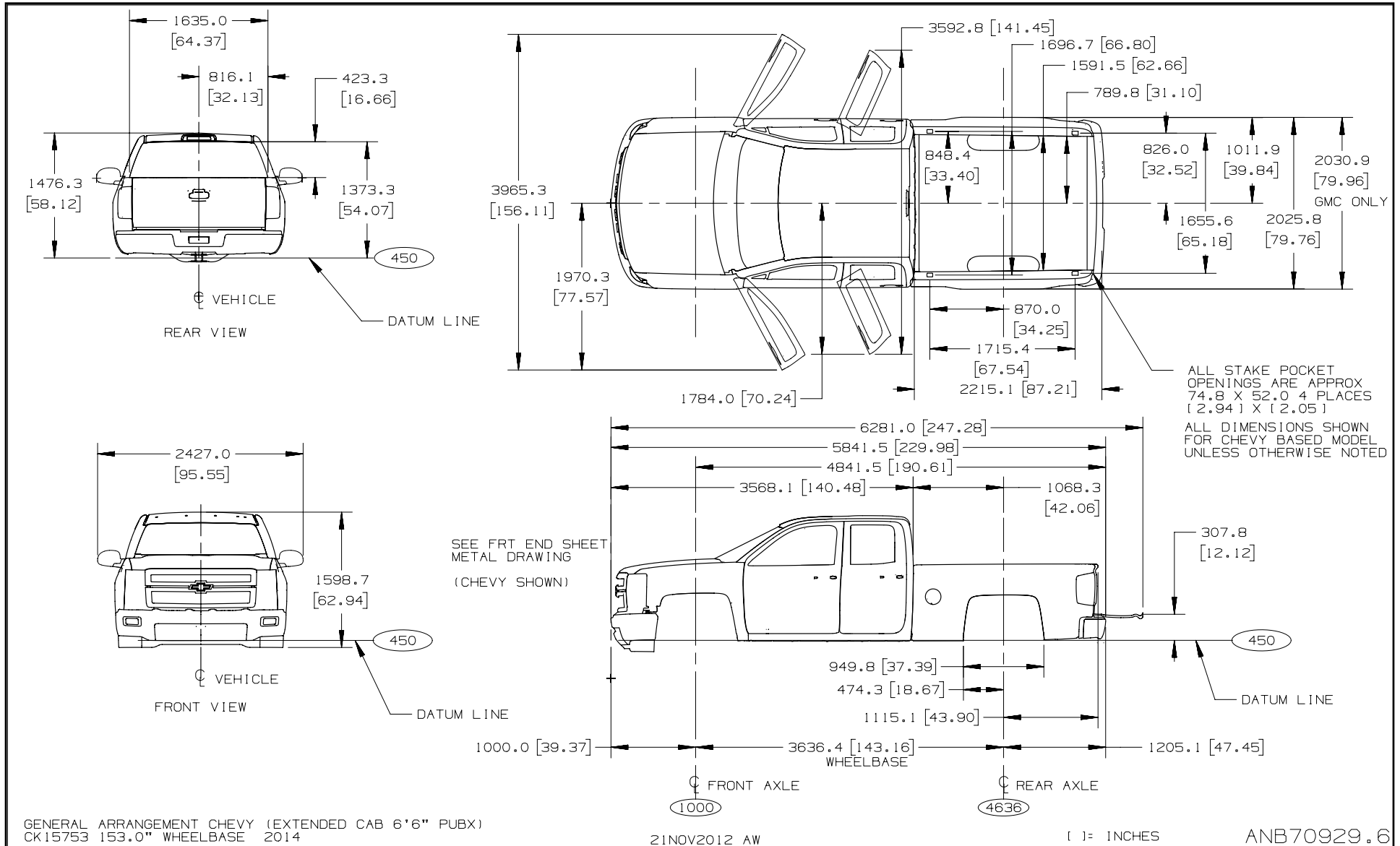
FULL SIZE C/K LD PICKUPS

C/K 15903, Regular Cab 8' Box - Body General Arrangement



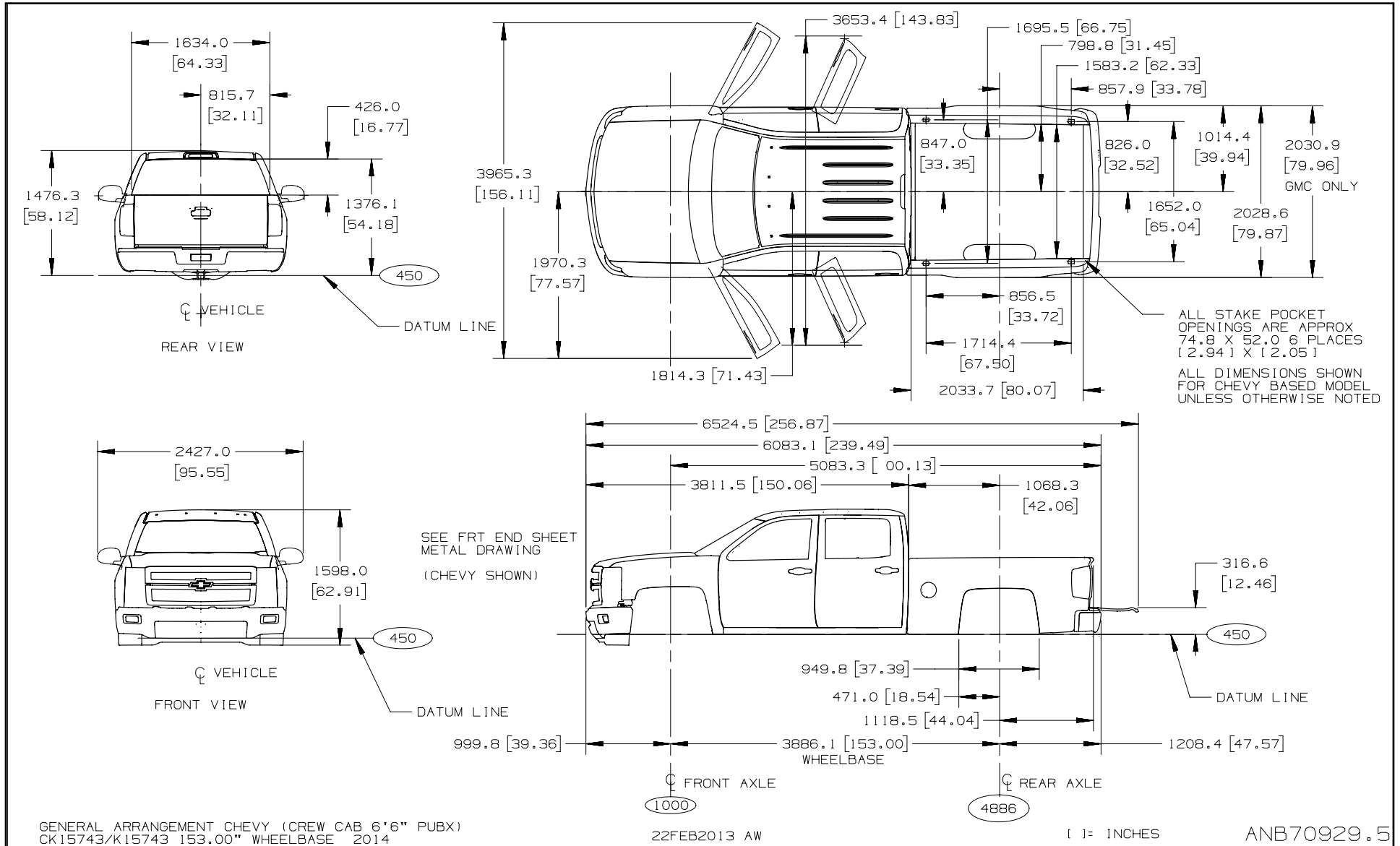
FULL SIZE C/K LD PICKUPS

C/K 15753, Extended Cab 6' 6" Box - Body General Arrangement



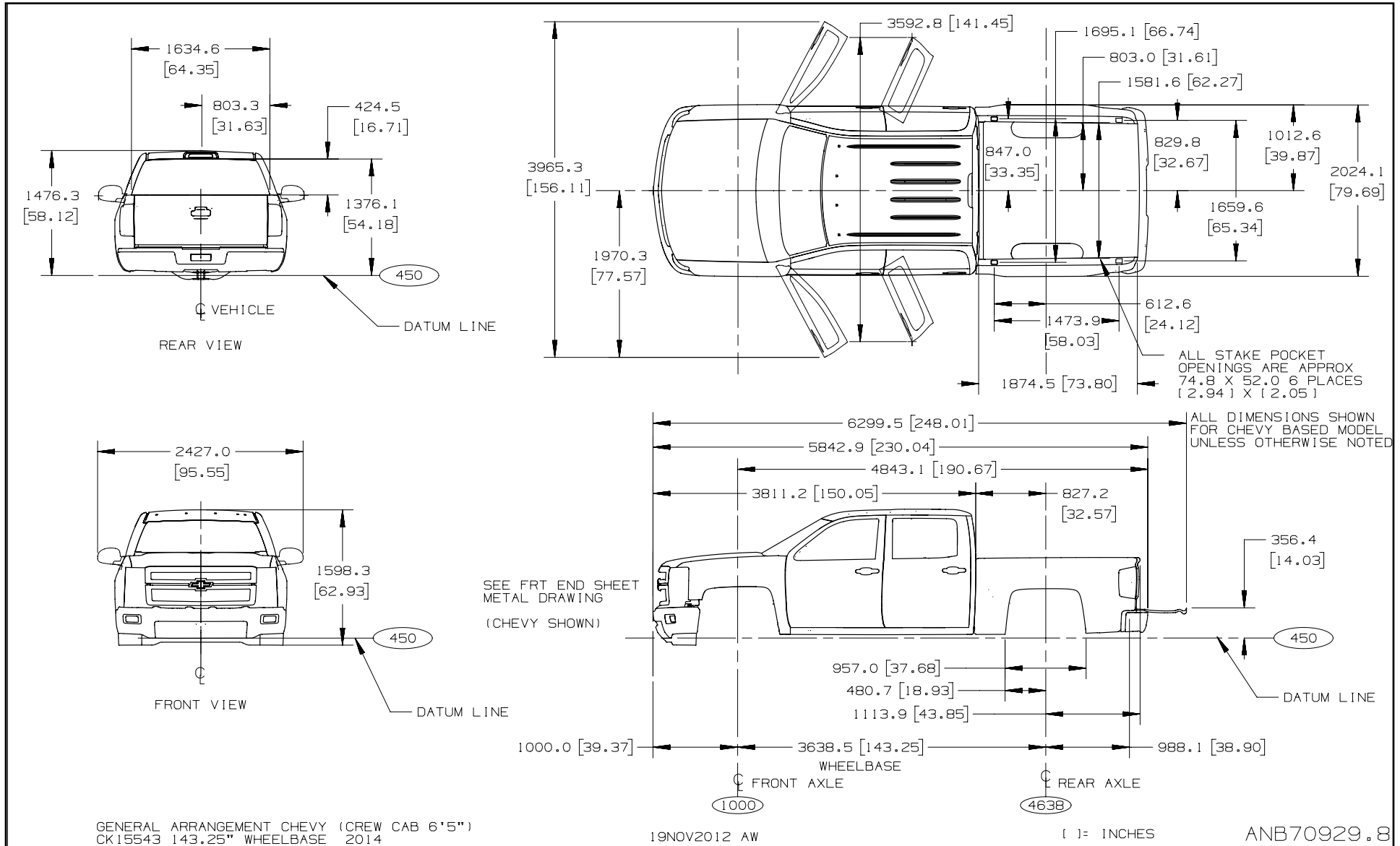
FULL SIZE C/K LD PICKUPS

C/K 15743, Crew Cab 6'6" Box - Body General Arrangement



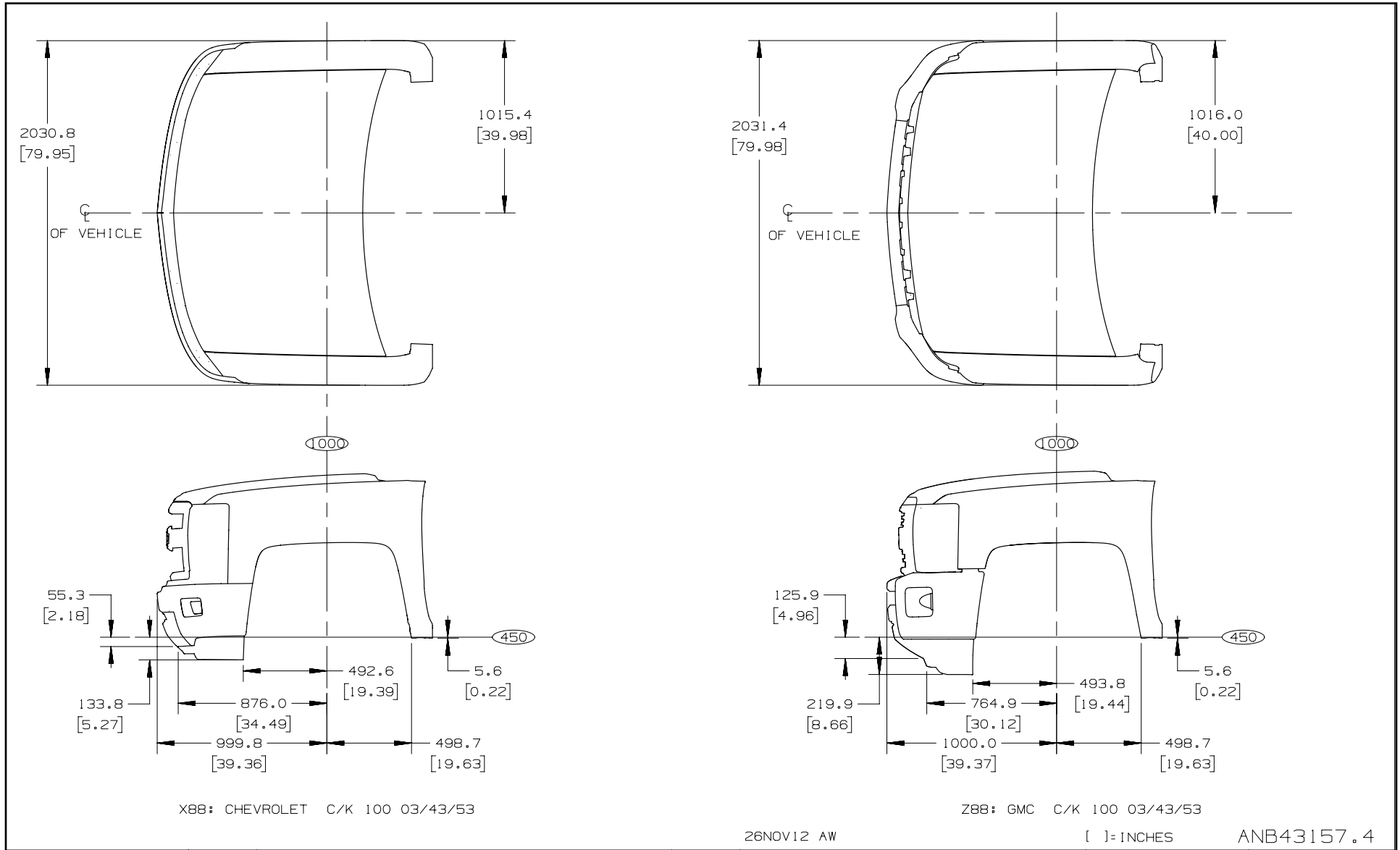
FULL SIZE C/K LD PICKUPS

C/K 15543, Crew Cab 5' 8" Box - Body General Arrangement



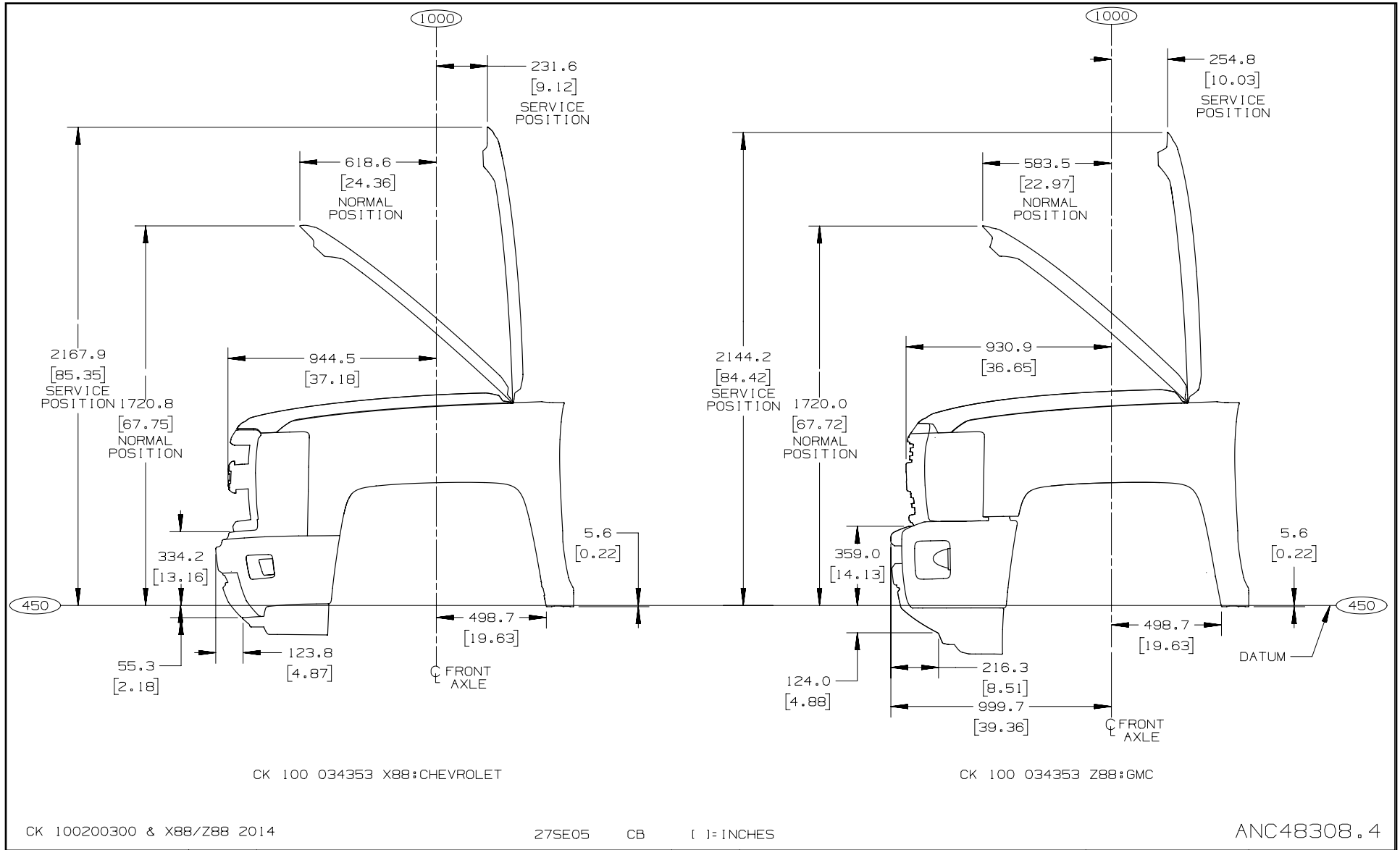
FULL SIZE C/K LD PICKUPS

C/K 100 (03/53/43) – Front End Clips



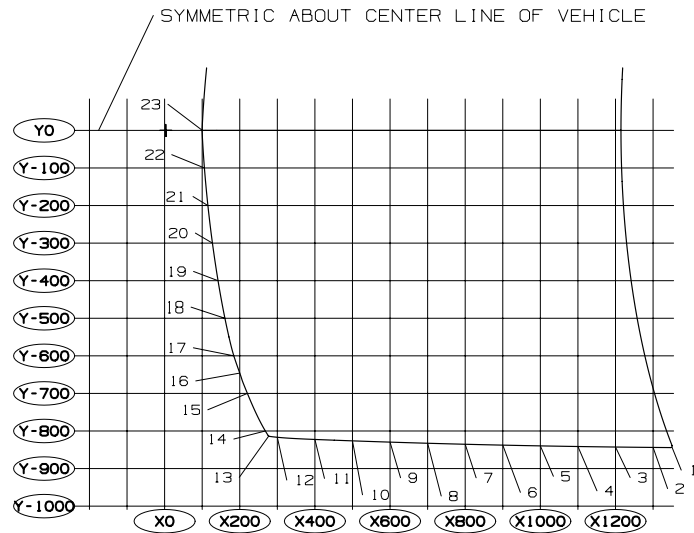
FULL SIZE C/K LD PICKUPS

C/K 100 (03/53/43) – Hood Openings



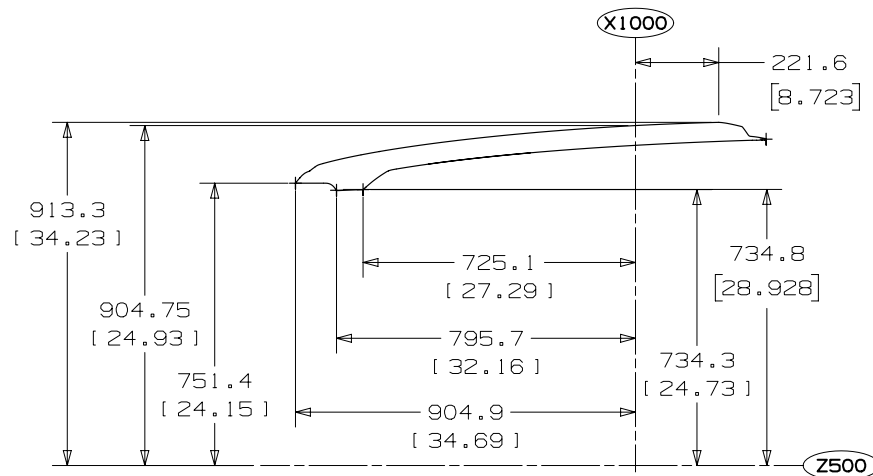
FULL SIZE C/K LD PICKUPS

Chevy X88 - C/K 100 (03/53/43) - Hood Profiles



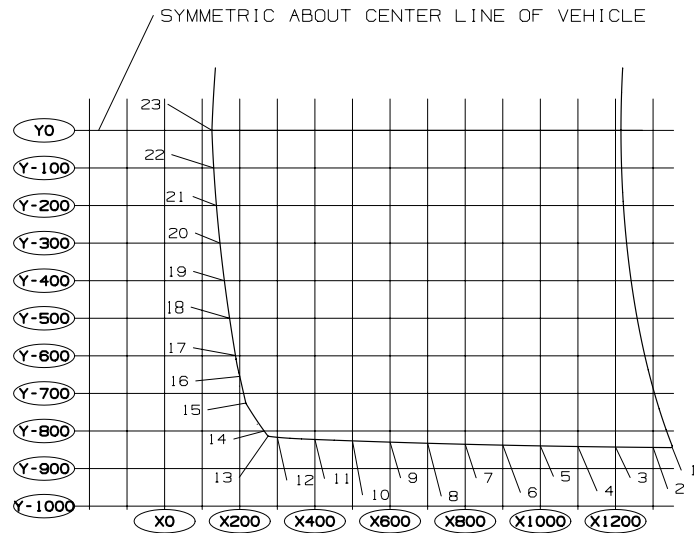
PT. #	LENGTH	WIDTH
1	1350.0	-842.4
2	1300.0	-843.8
3	1200.0	-842.7
4	1100.0	-841.3
5	1000.0	-839.6
6	900.0	-837.6
7	800.0	-835.3
8	700.0	-832.6
9	600.0	-829.6
10	500.0	-826.3
11	400.0	-822.5
12	300.0	-816.7
13	277.0	-813.6
14	268.1	-800.0
15	220.3	-700.0
16	200.0	-644.6
17	184.2	-600.0
18	160.5	-500.0
19	142.2	-400.0
20	127.3	-300.0
21	115.2	-200.0
22	105.9	-100.0
23	99.7	0.00

DRIVER SIDE COORDINATES



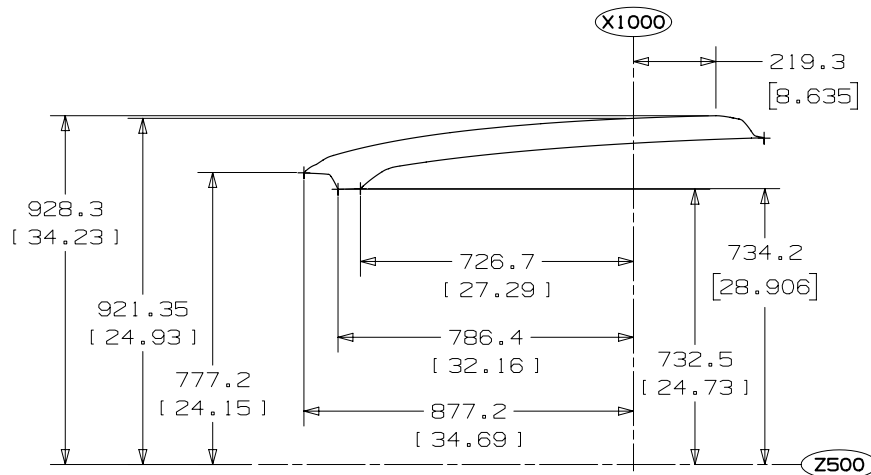
FULL SIZE C/K LD PICKUPS

GMC Z88 – C/K 100/200 (03/53/43) – Hood Profiles



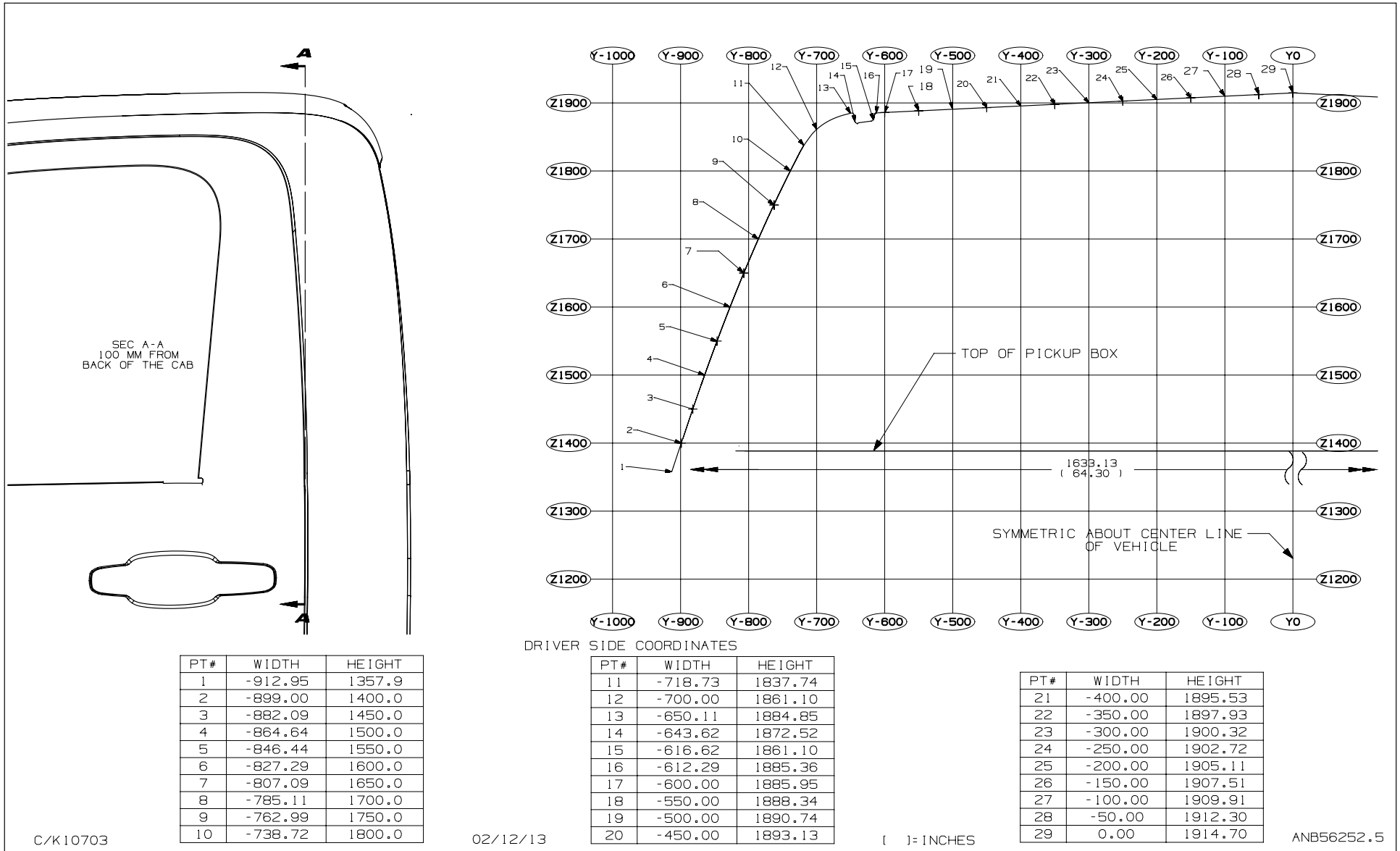
PT. #	LENGTH	WIDTH
1	1351.0	-844.2
2	1300.0	-843.8
3	1200.0	-842.7
4	1100.0	-841.4
5	1000.0	-839.6
6	900.0	-837.6
7	800.0	-835.3
8	700.0	-832.7
9	600.0	-829.7
10	500.0	-826.3
11	400.0	-822.6
12	300.0	-816.8
13	275.5	-813.1
14	264.9	-800.0
15	216.2	-725.6
16	200.0	-654.7
17	188.8	-600.0
18	172.9	-500.0
19	159.1	-400.0
20	147.4	-300.0
21	137.9	-200.0
22	130.7	-100.0
23	125.9	0.00

DRIVER SIDE COORDINATES



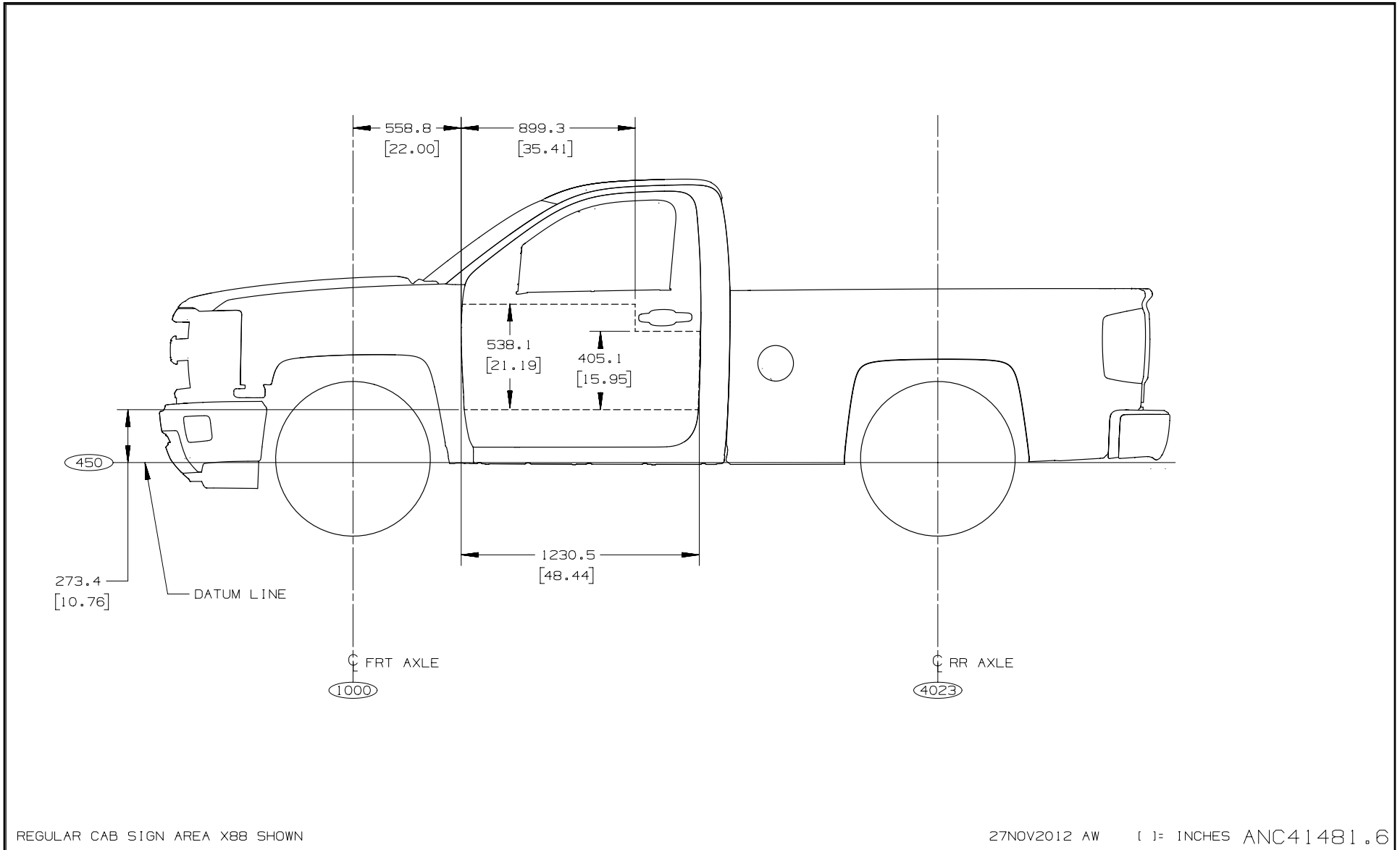
FULL SIZE C/K LD PICKUPS

Rear Back of Cab Silhouette – Pickups



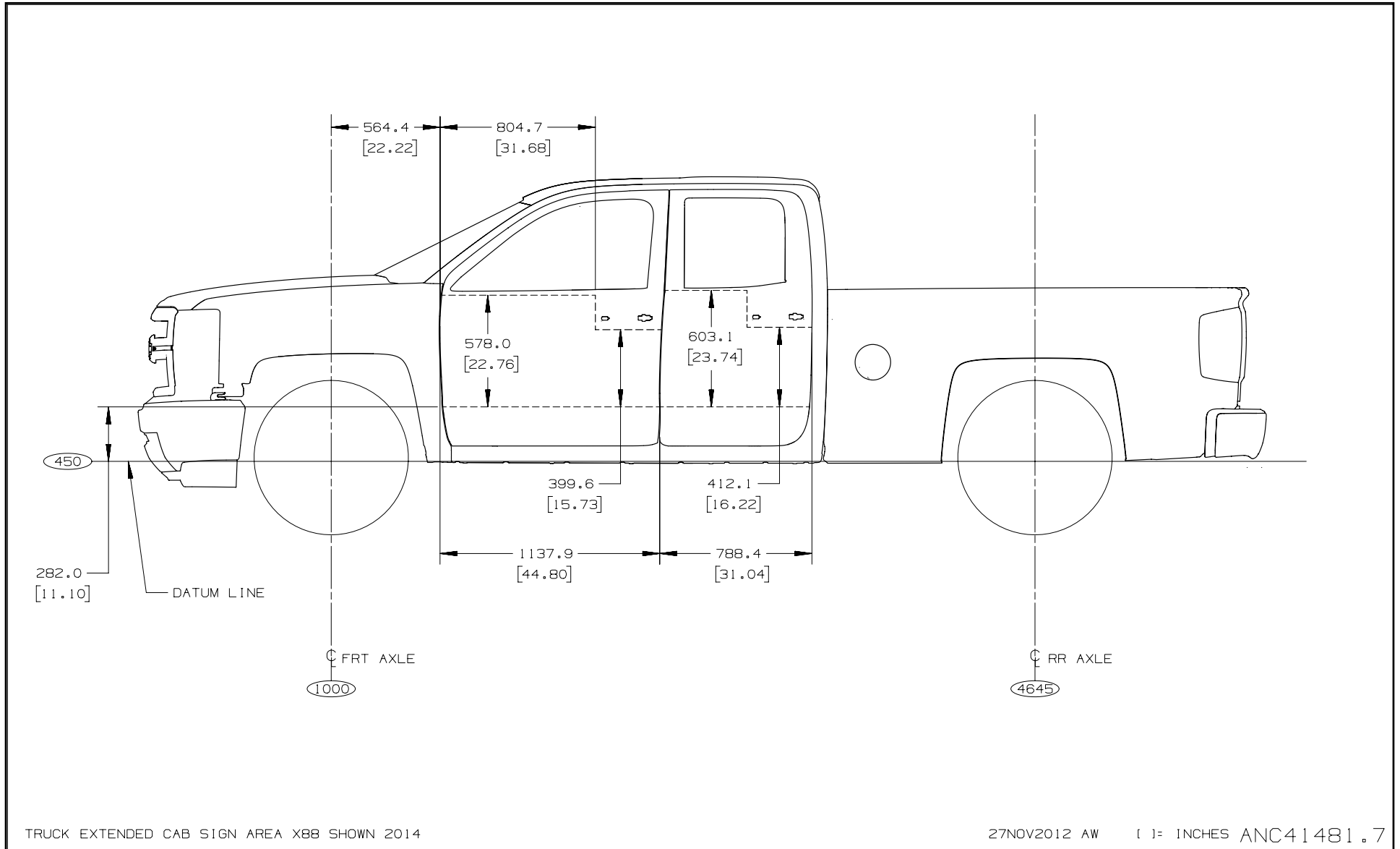
FULL SIZE C/K LD PICKUPS

Regular Cab Pickup – C/K 100/200/300 (03) – Sign Area



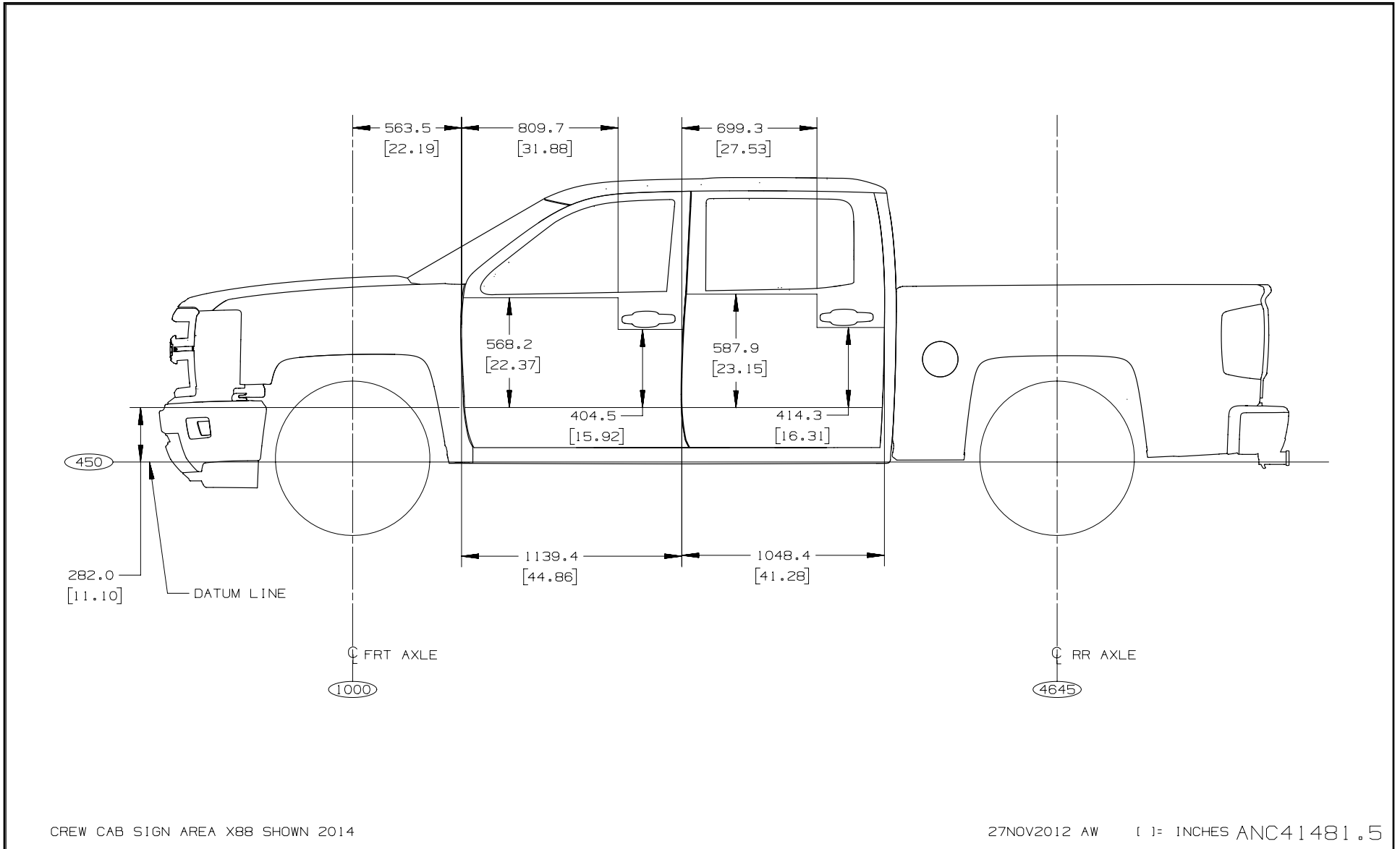
FULL SIZE C/K LD PICKUPS

Extended Cab Pickup – C/K 100/200/300 (53) – Sign Area



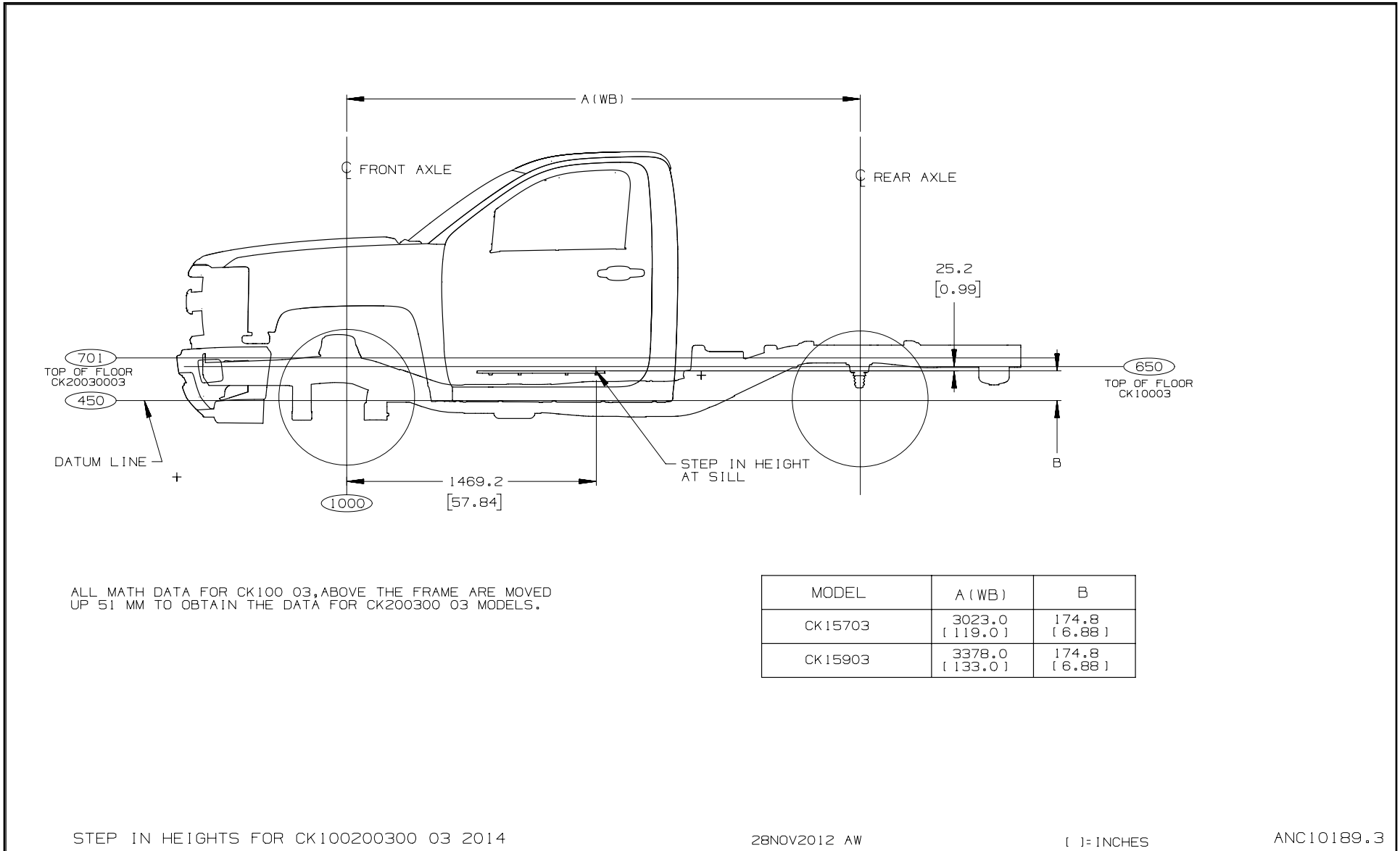
FULL SIZE C/K LD PICKUPS

Crew Cab Pickup – C/K 100/200/300 (43) – Sign Area



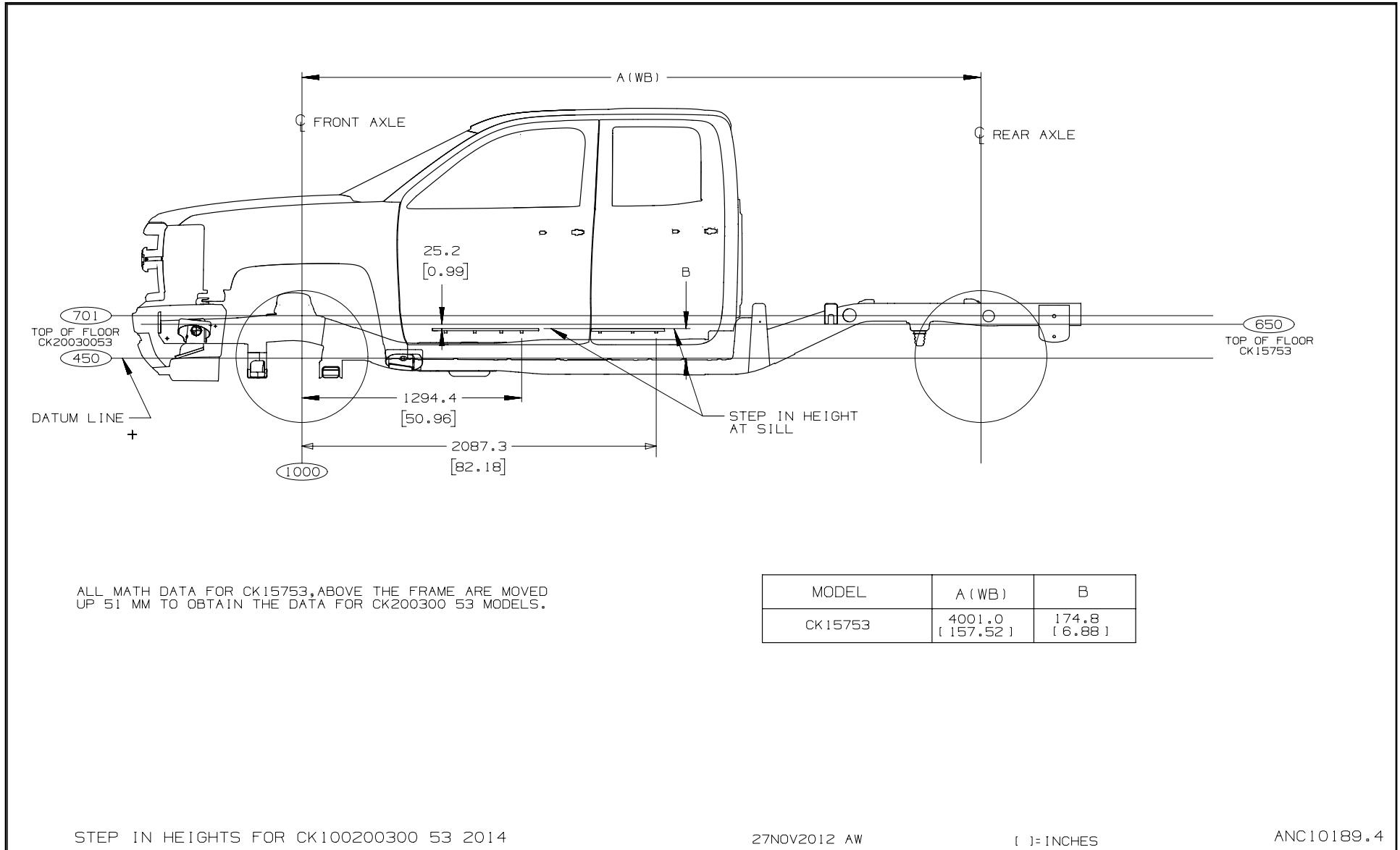
FULL SIZE C/K LD PICKUPS

Regular Cab (03) – Cab Step in Heights



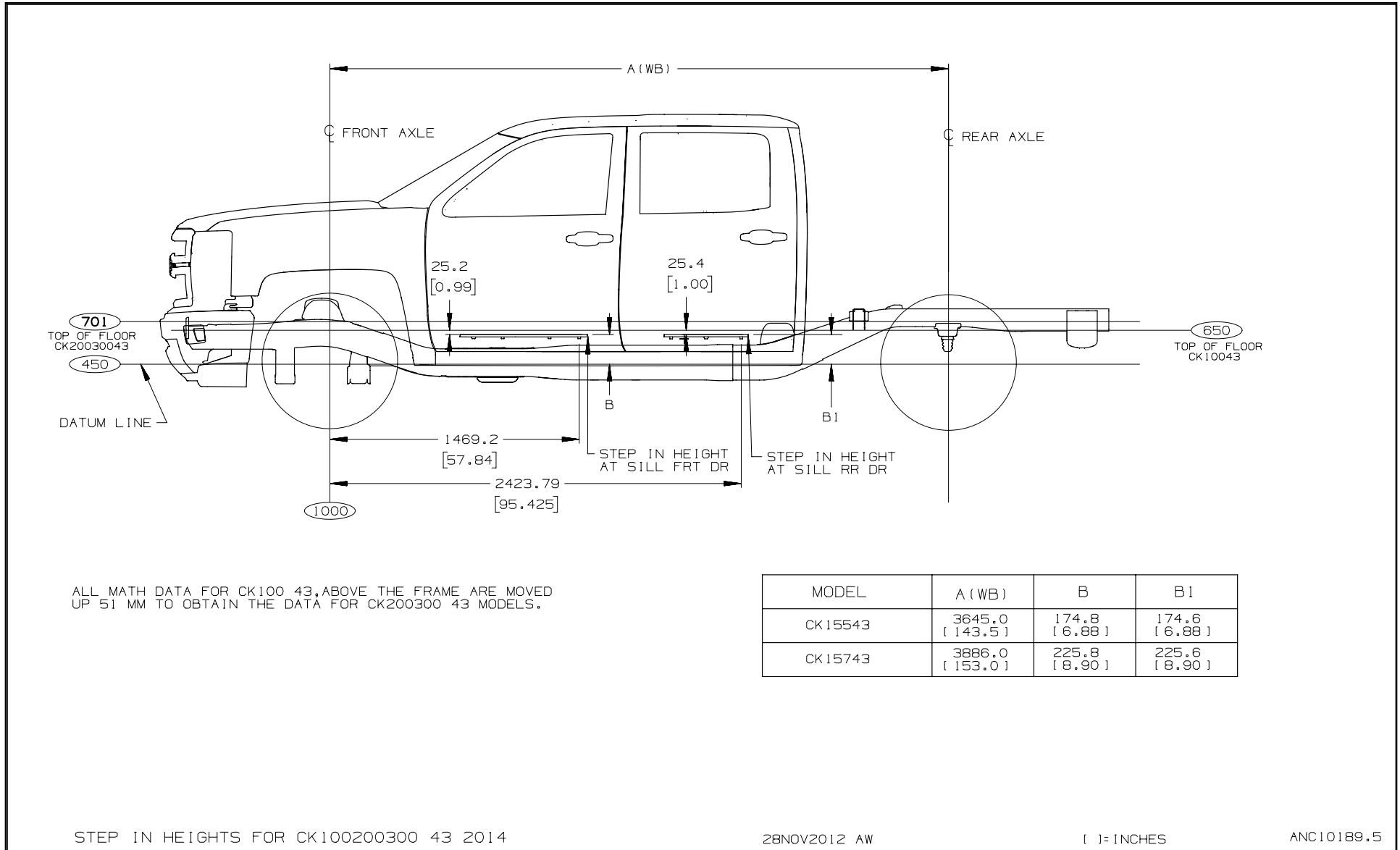
FULL SIZE C/K LD PICKUPS

Extended Cab (53) – Cab Step in Heights



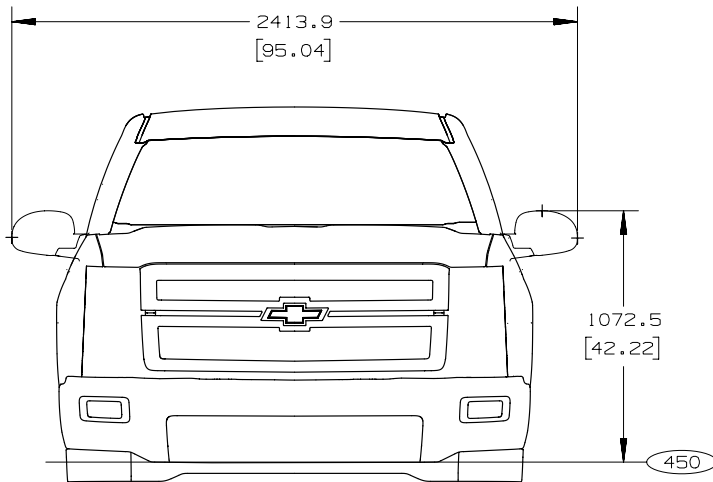
FULL SIZE C/K LD PICKUPS

Crew Cab (43) – Cab Step in Heights

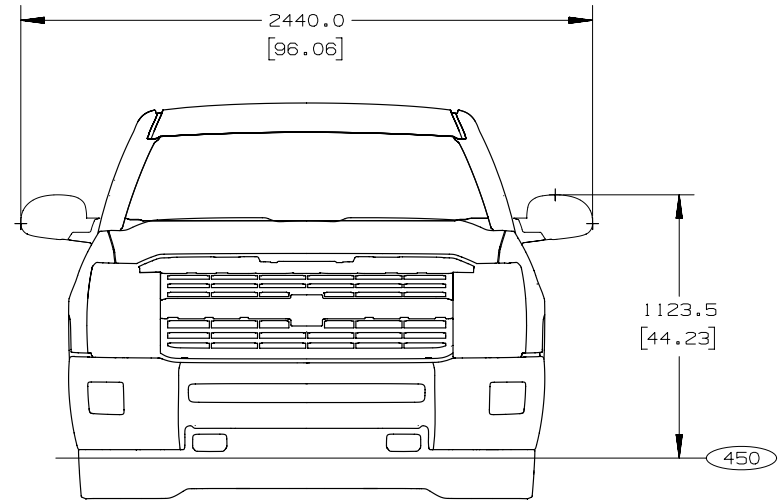


FULL SIZE C/K LD PICKUPS

C/K 1000, Option DL8 and C/K 2000, Option DE2 – Mirrors, Outside Rearview



*CL8 CHEVY TRUCK 1500 SERIES

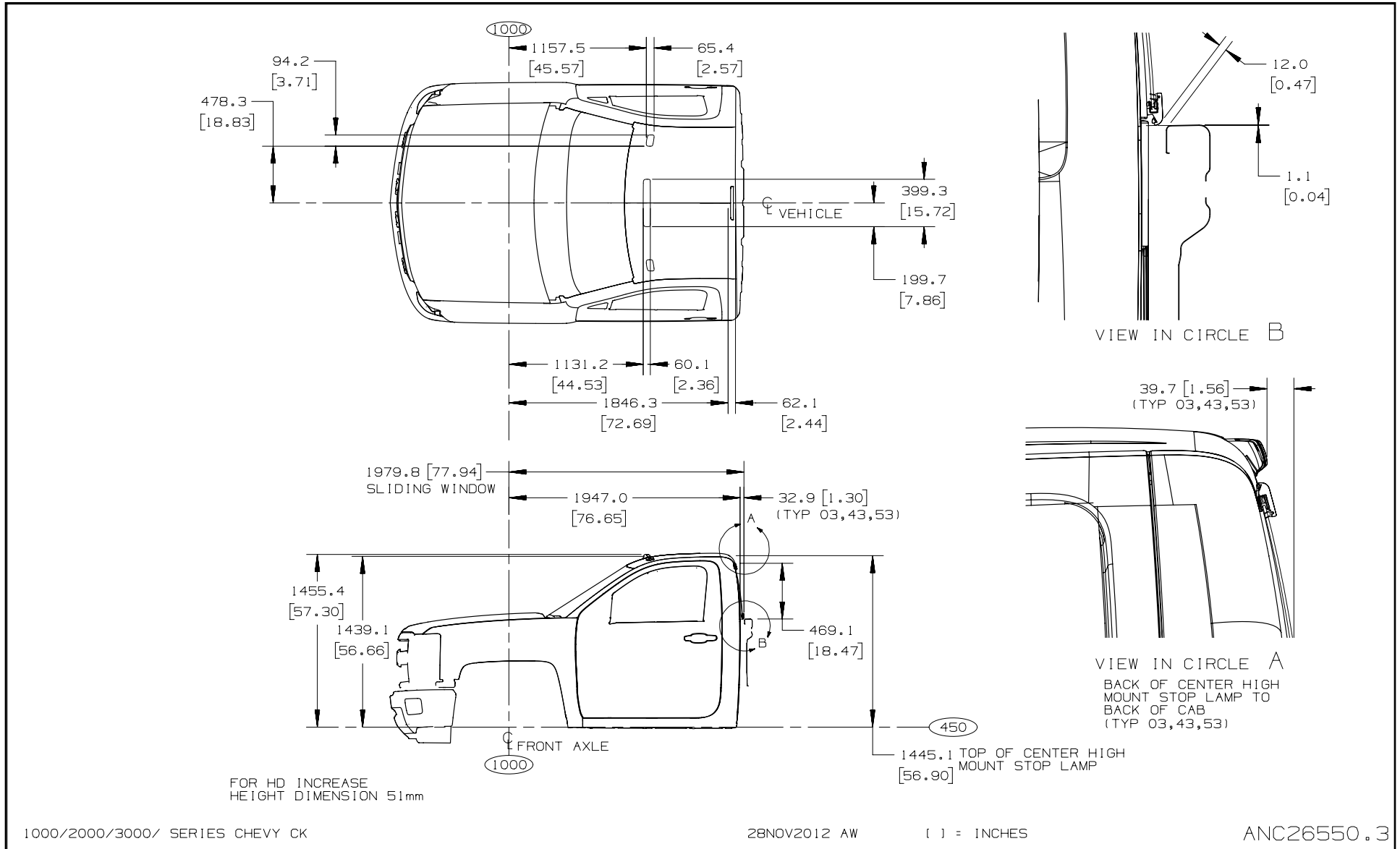


*CL8 GMC TRUCK 1500 SERIES

ALL DIMENSIONS SHOWN FOR CHEVY
BASE MODEL UNLESS OTHERWISE NOTED

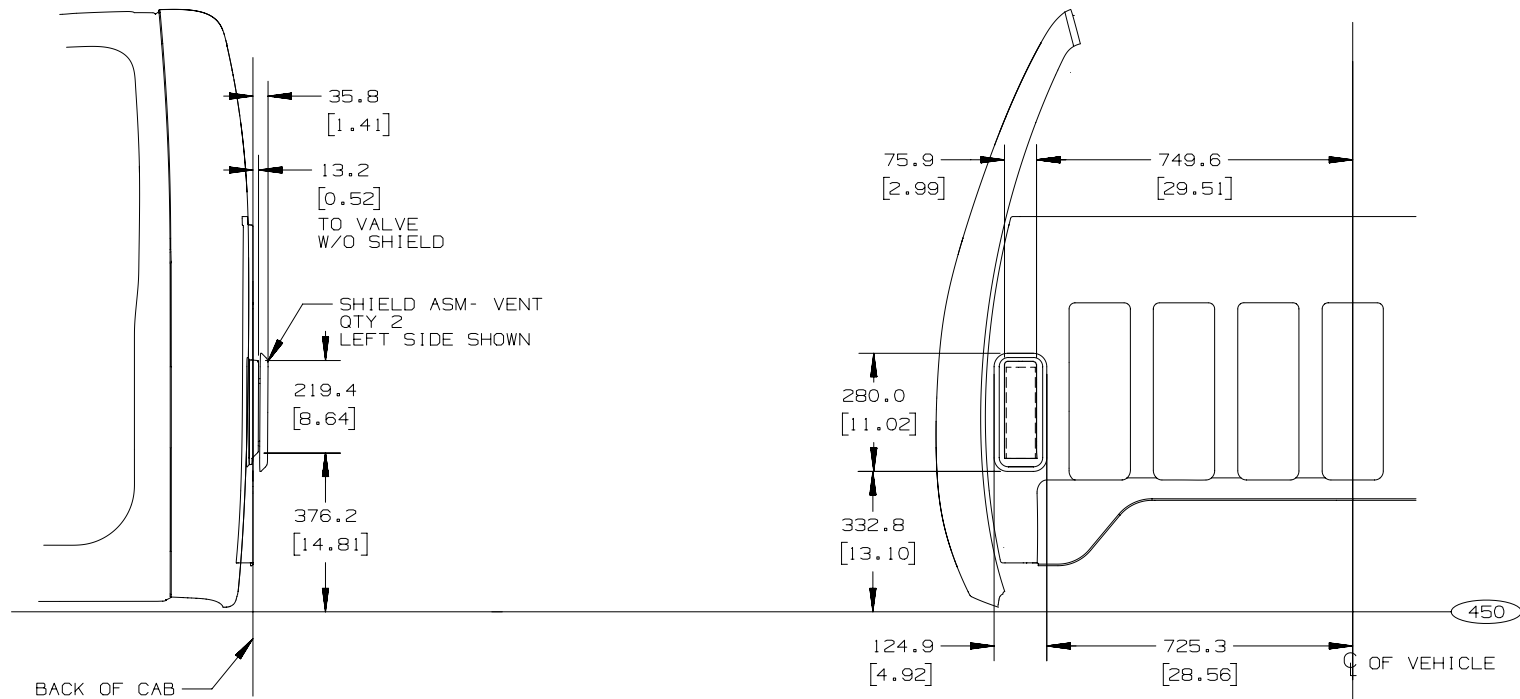
FULL SIZE C/K LD PICKUPS

Cab Clearance Lamps, CHMSL and Rear Cab Window – Fixed and Sliding



FULL SIZE C/K LD PICKUPS

Rear Quarter Body Panel – Cab Pressure Valve Assembly



CK 100 03 SHOWN

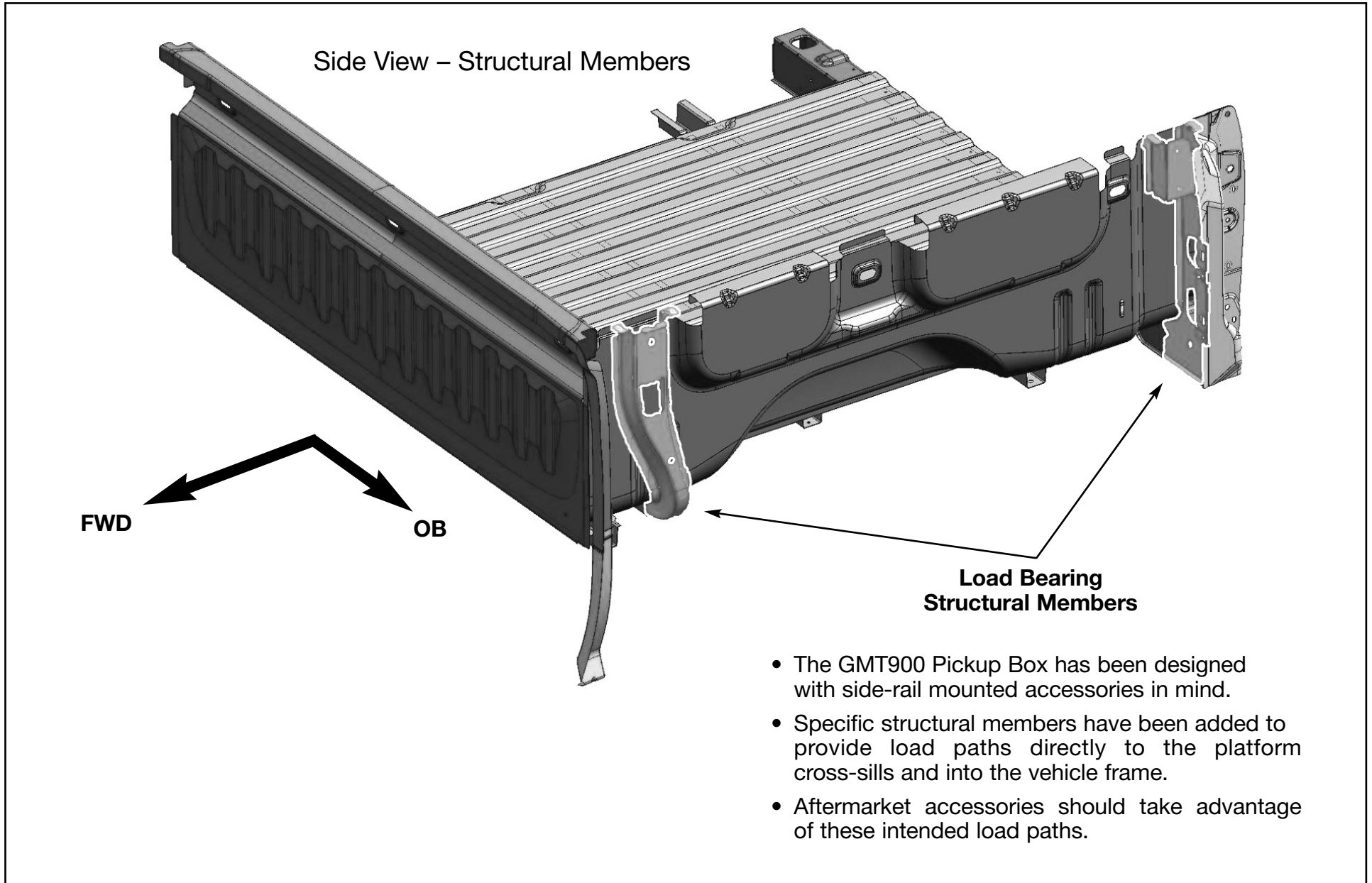
CK 100200300 034353

28NOV2012 AW

() = INCHES

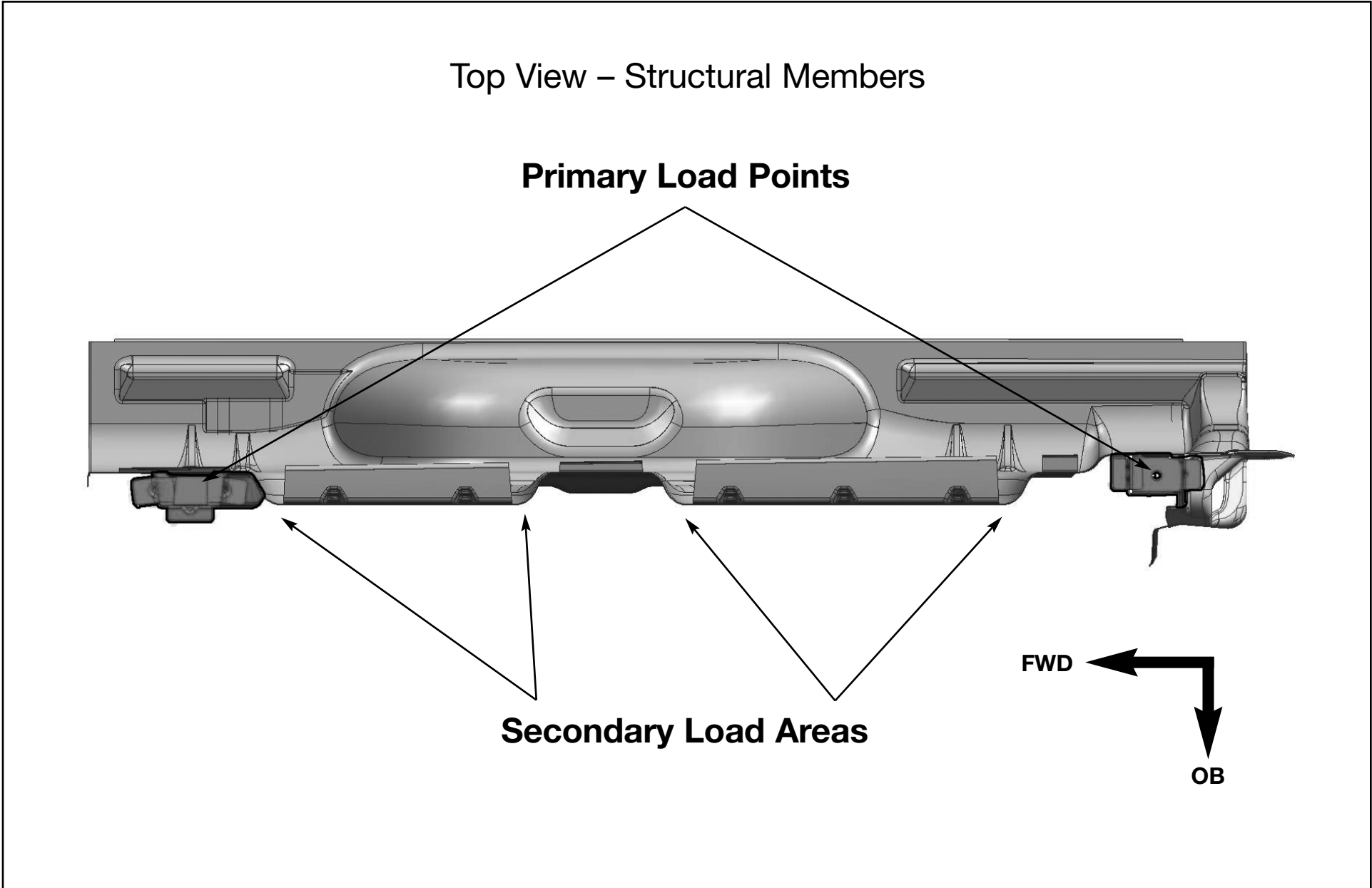
ANC27961.3

GMT900 Pickup Box Side Rail Load Points/Paths

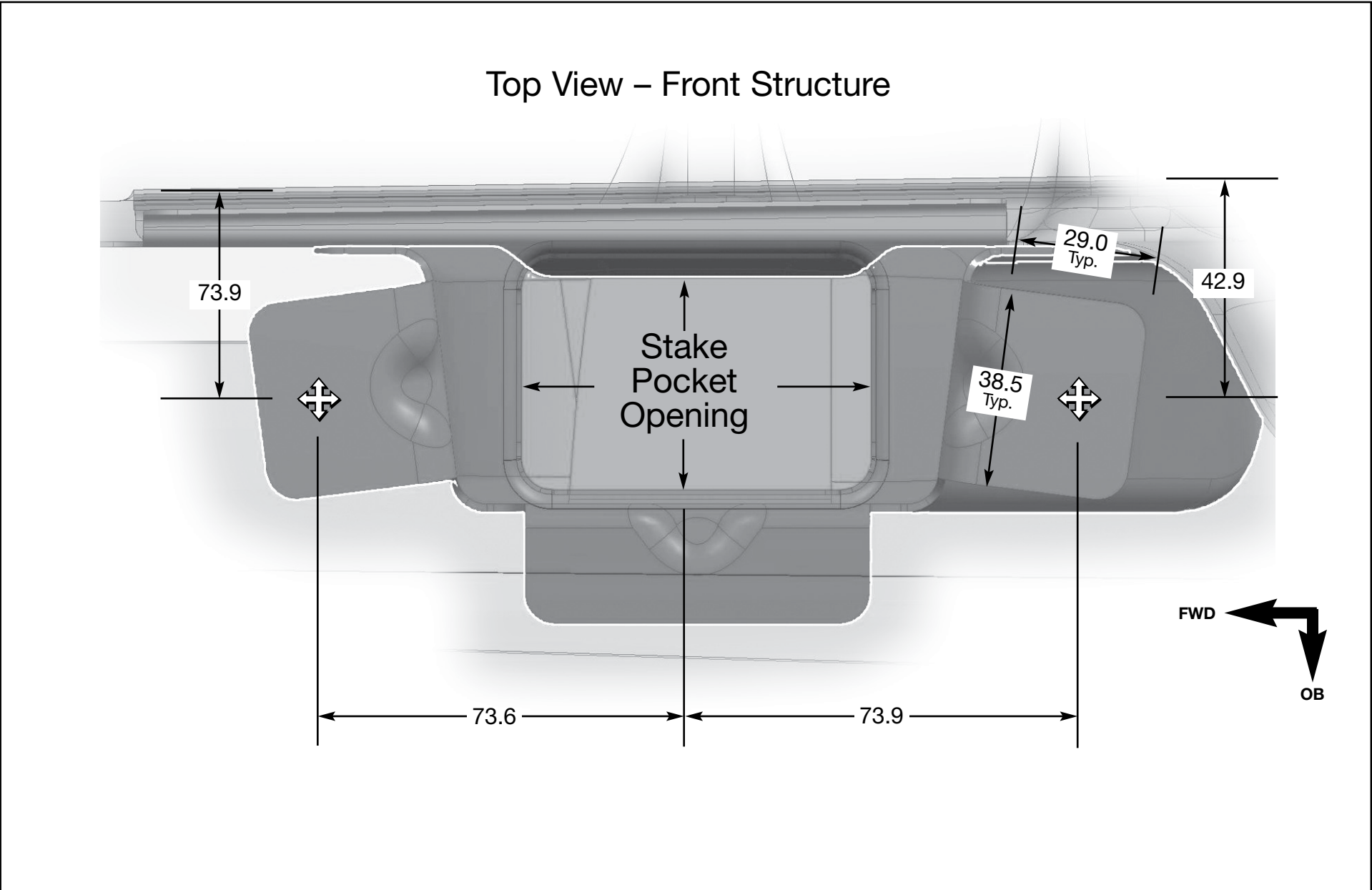


FULL SIZE C/K LD PICKUPS

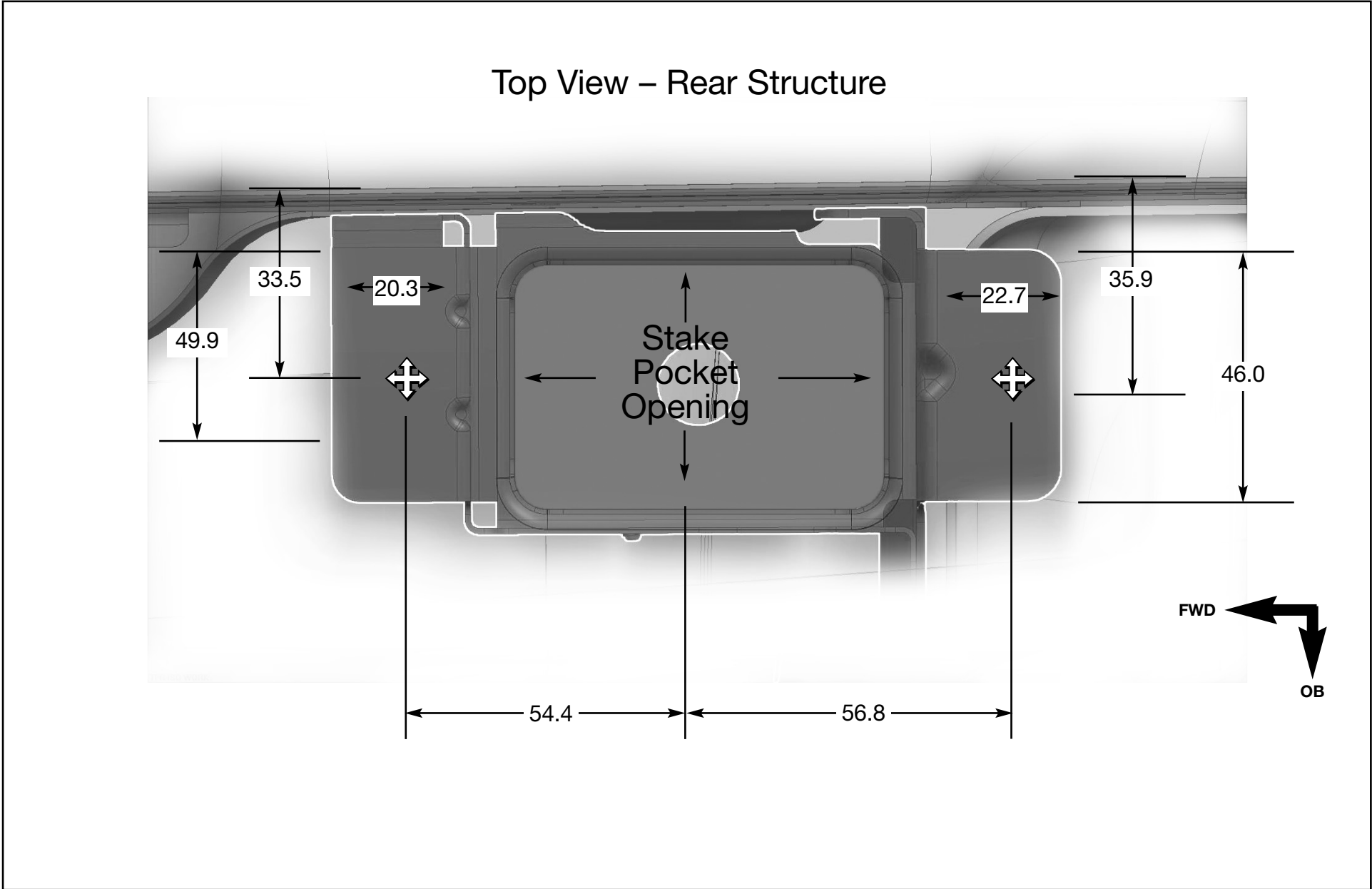
GMT900 Pickup Box Side Rail Load Points/Paths



GMT900 Pickup Box Side Rail Load Points/Paths

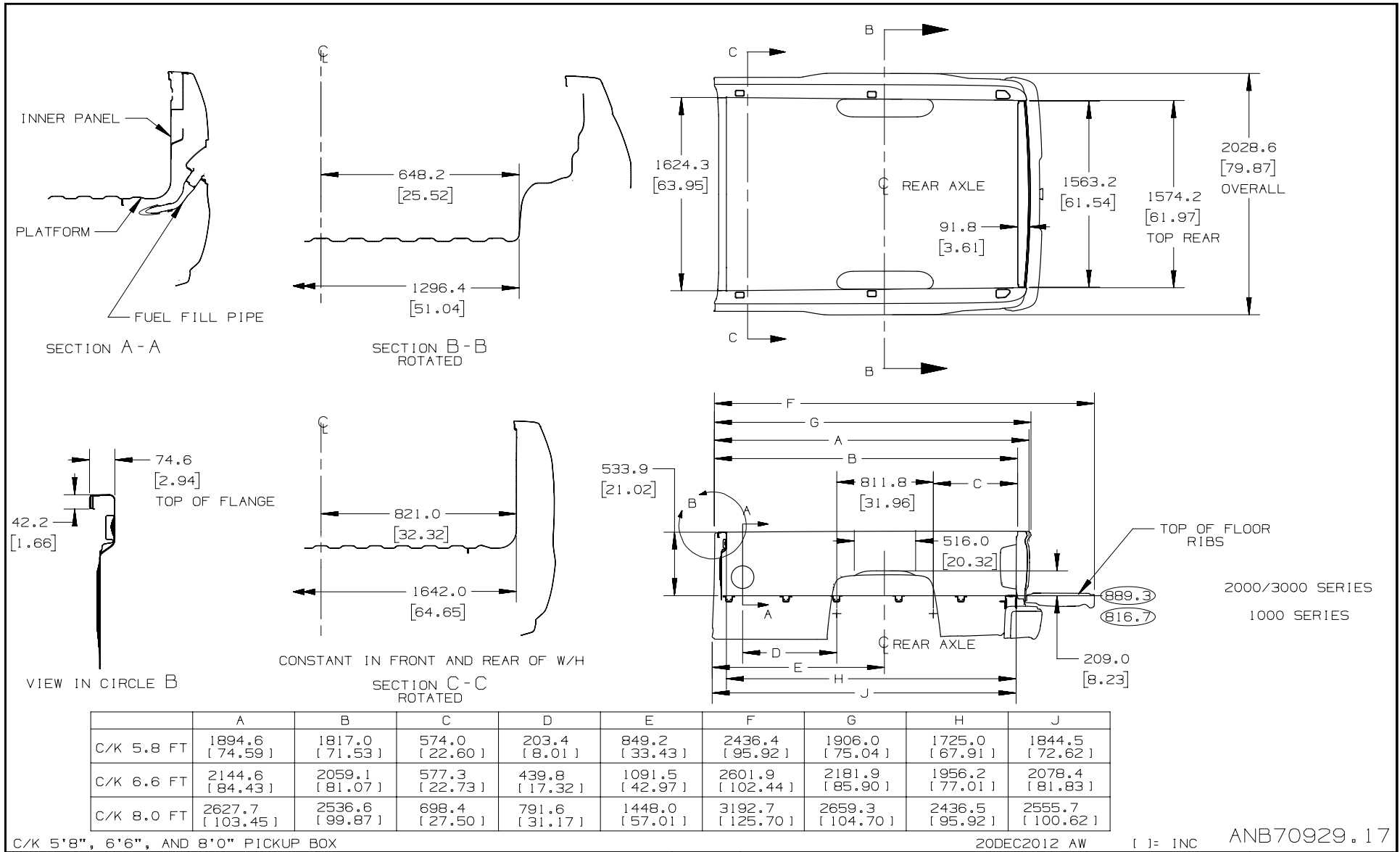


GMT900 Pickup Box Side Rail Load Points/Paths



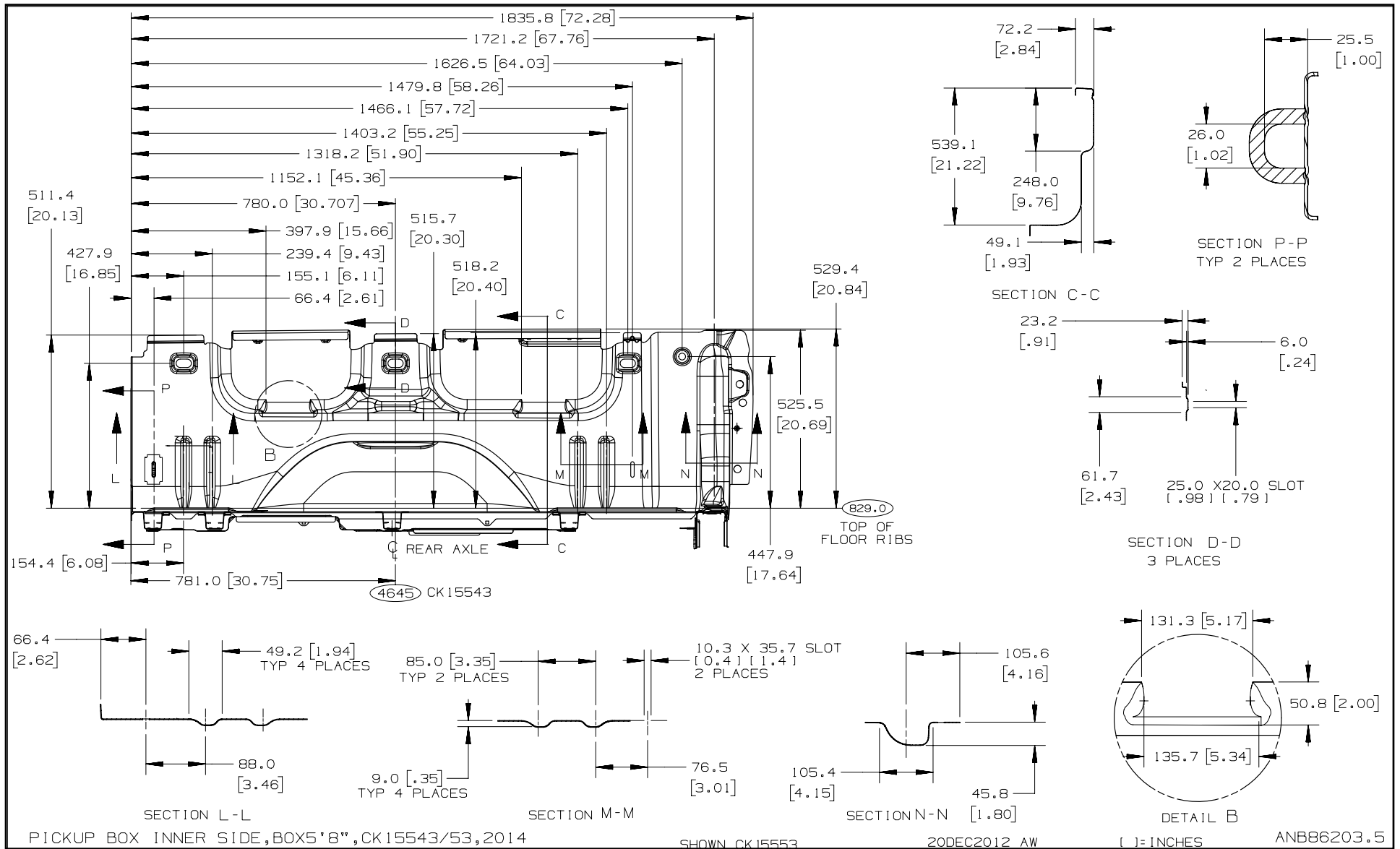
FULL SIZE C/K LD PICKUPS

Length and Width Dimension for 5' 8", 6' 6" and 8' - Pickup Box



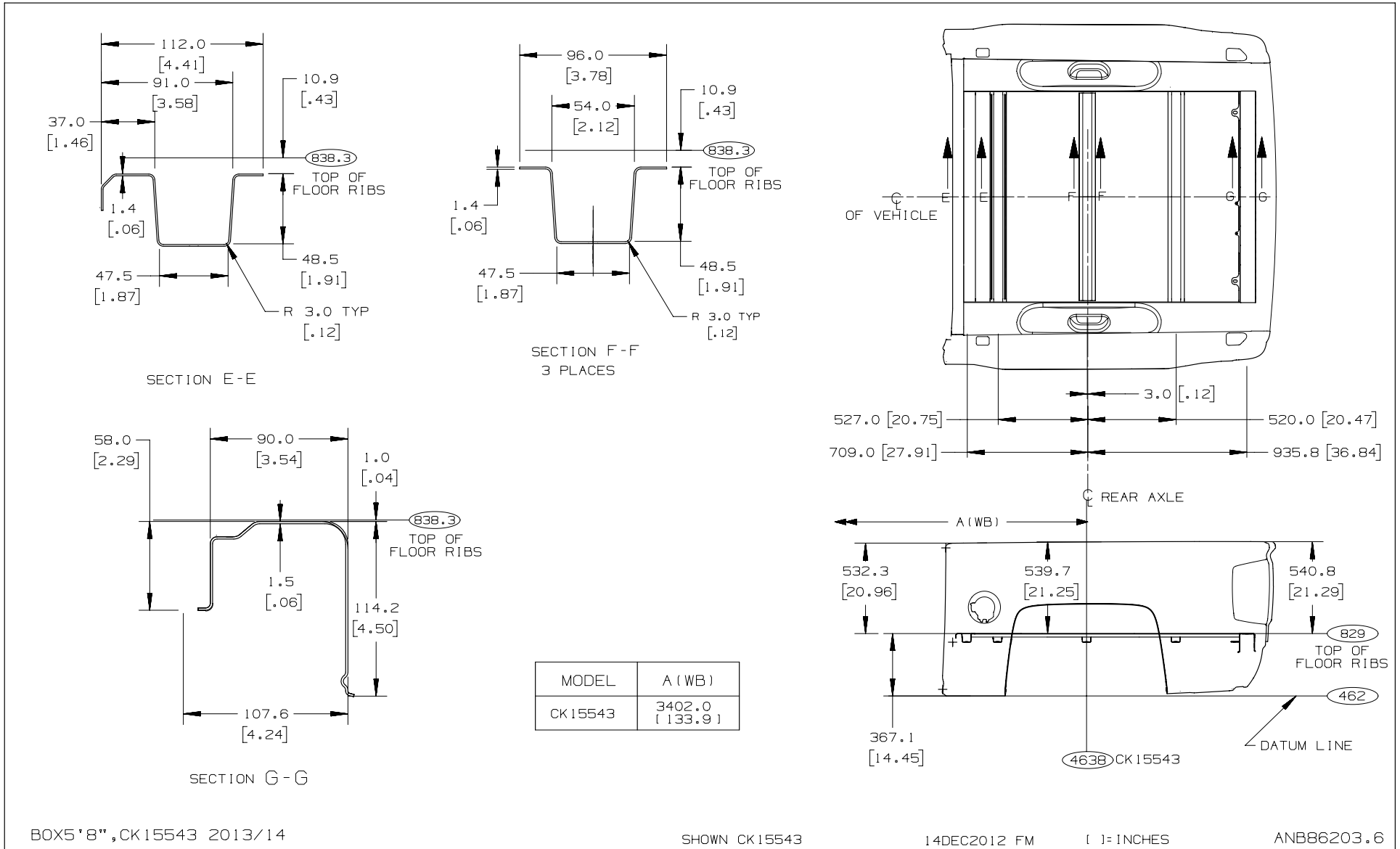
FULL SIZE C/K LD PICKUPS

Inside Panel, 5' 8" Box – Pickup Box



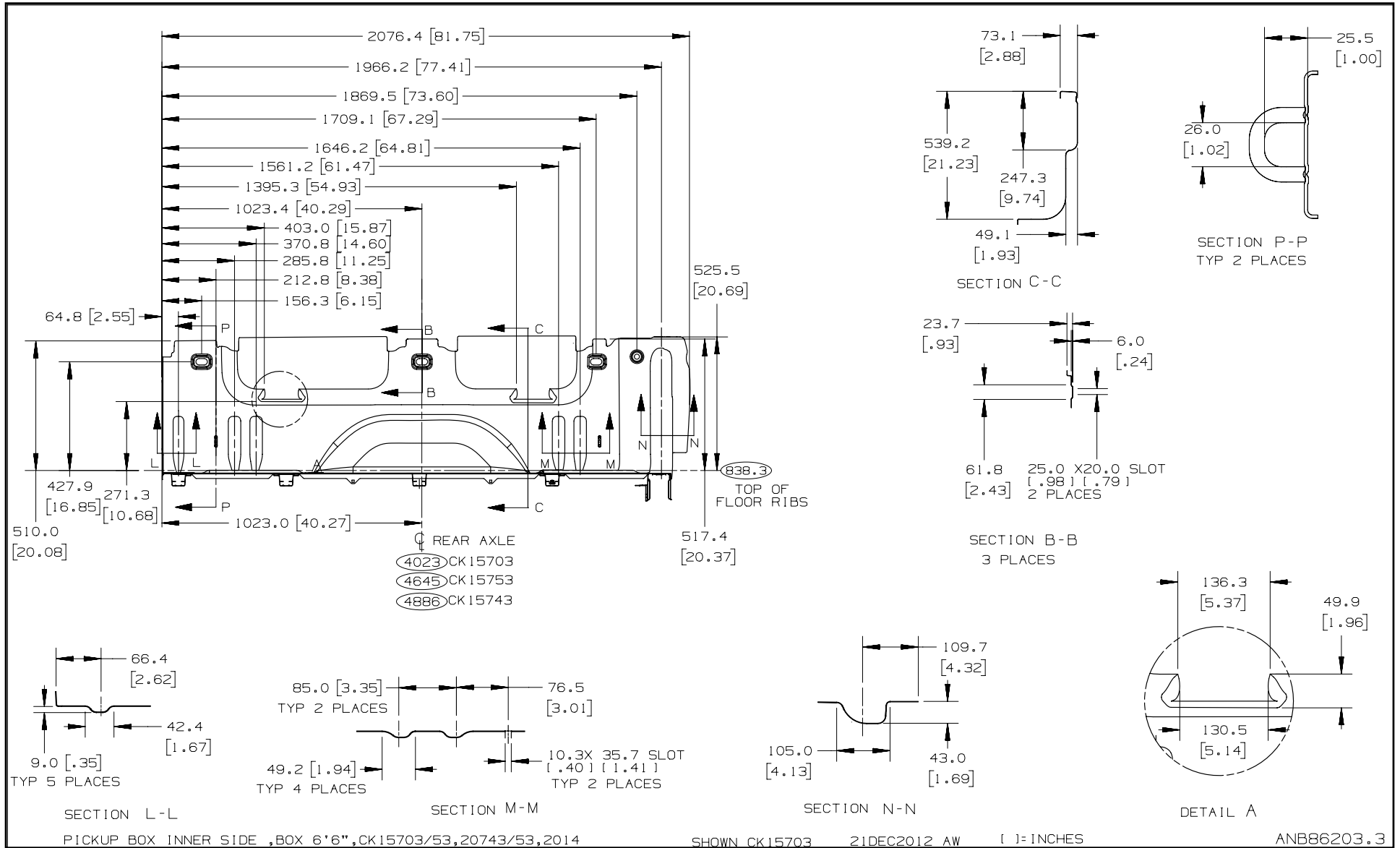
FULL SIZE C/K LD PICKUPS

Cross Sills Location, 5' 8" Box – Pickup Box



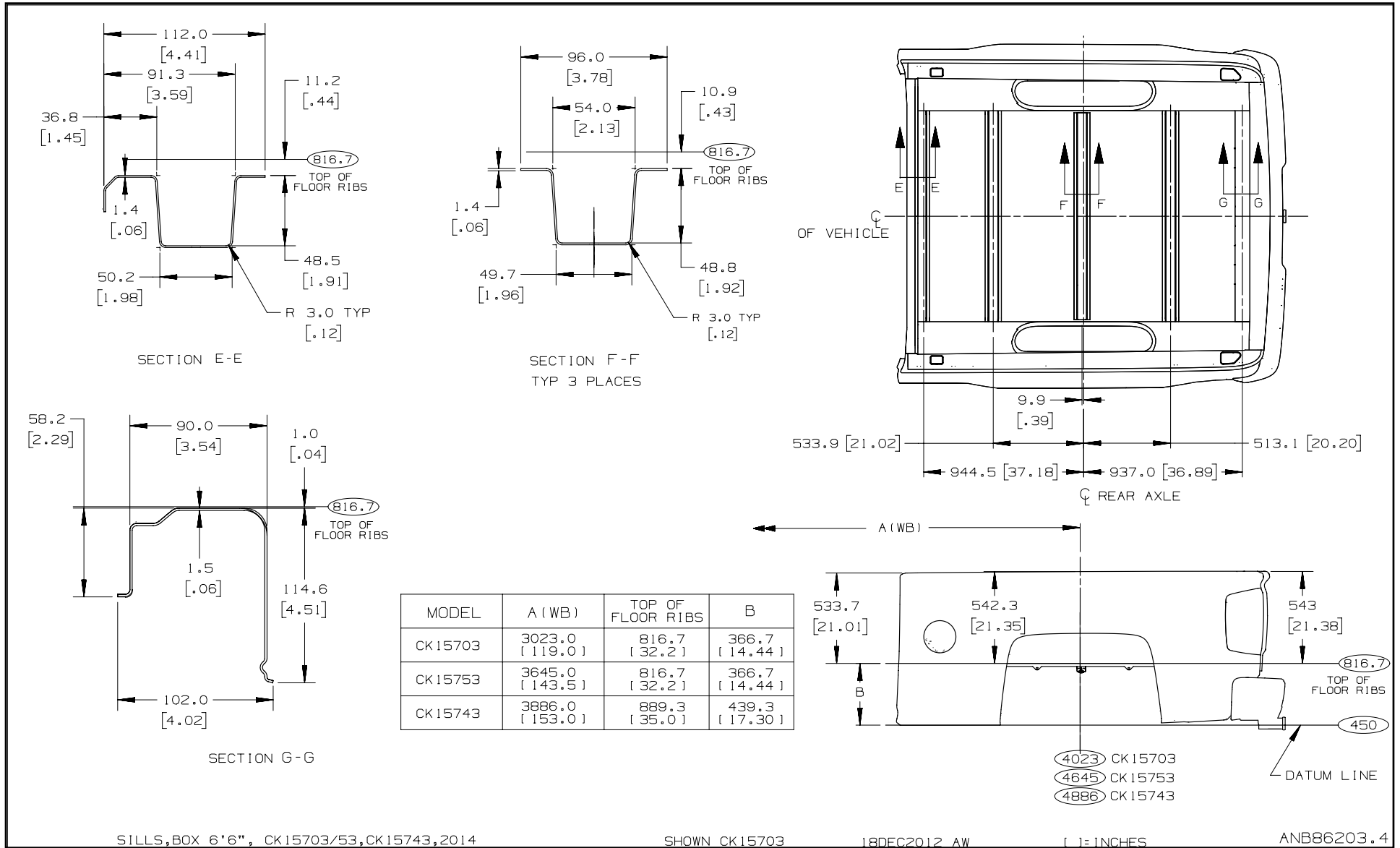
FULL SIZE C/K LD PICKUPS

Inside Panel, 6' 6" Box – Pickup Box



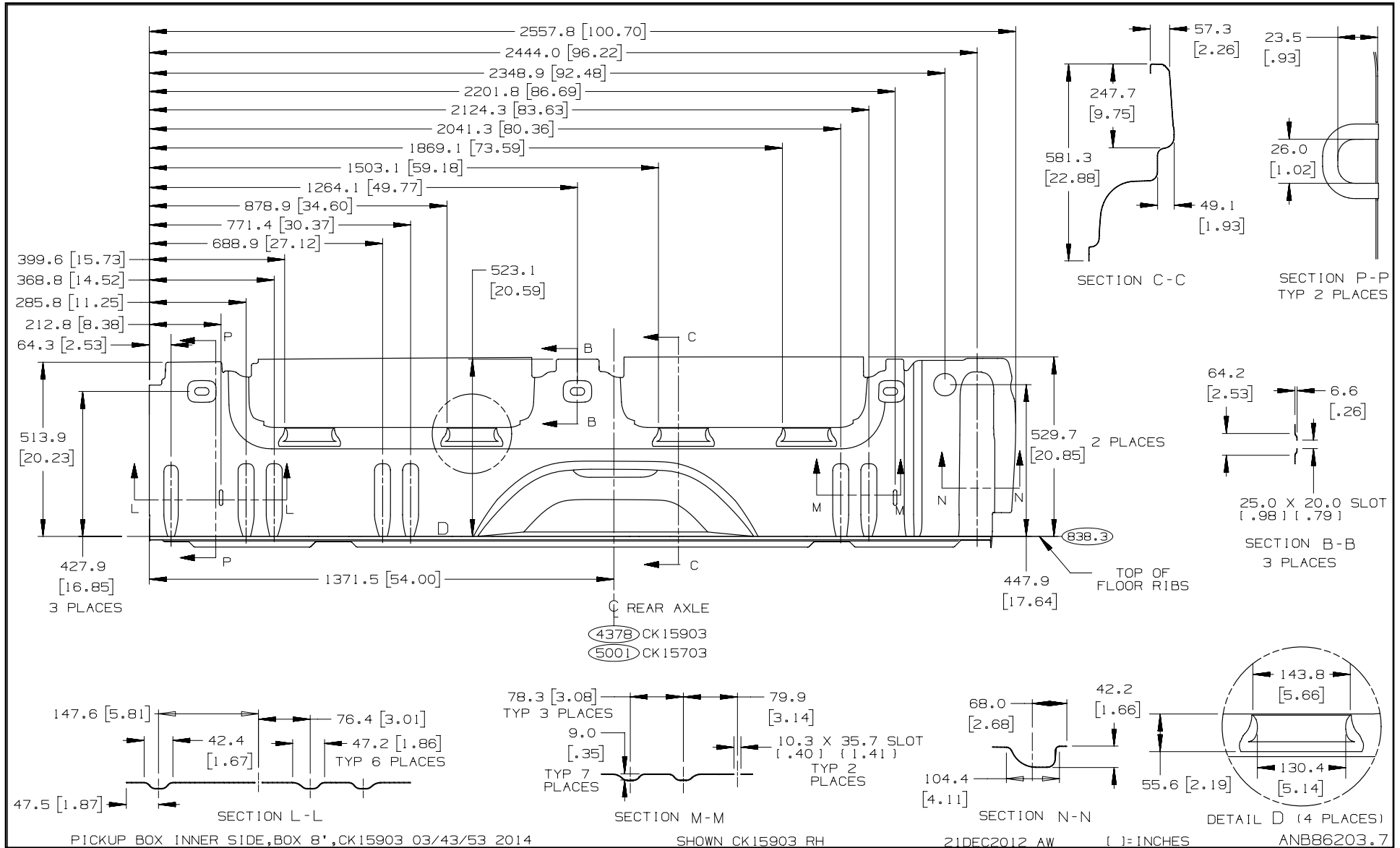
FULL SIZE C/K LD PICKUPS

Cross Sills Location, 6' 6" Box – Pickup Box



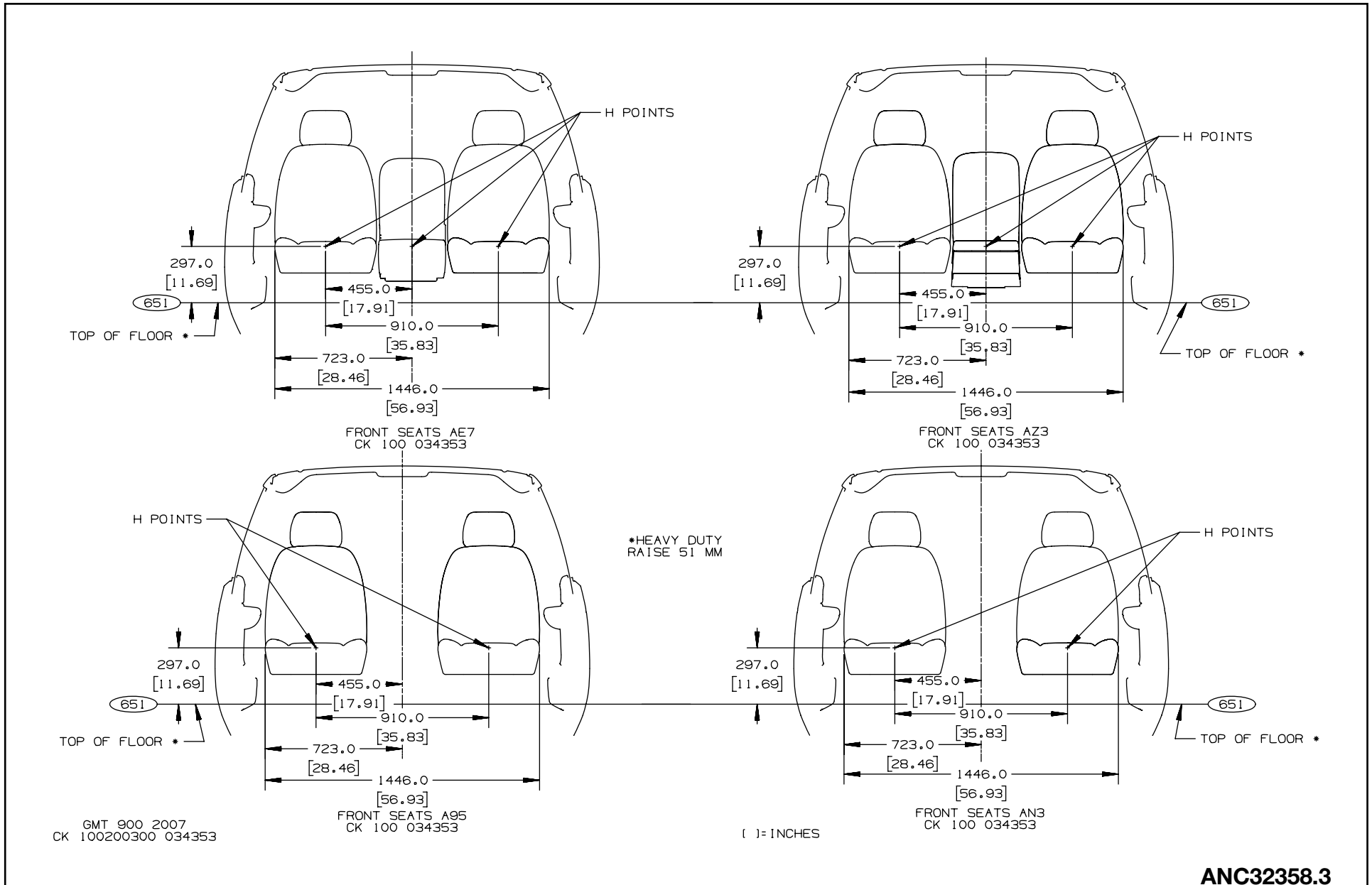
FULL SIZE C/K LD PICKUPS

Inside Panel, 8' Box – Pickup Box



FULL SIZE C/K LD PICKUPS

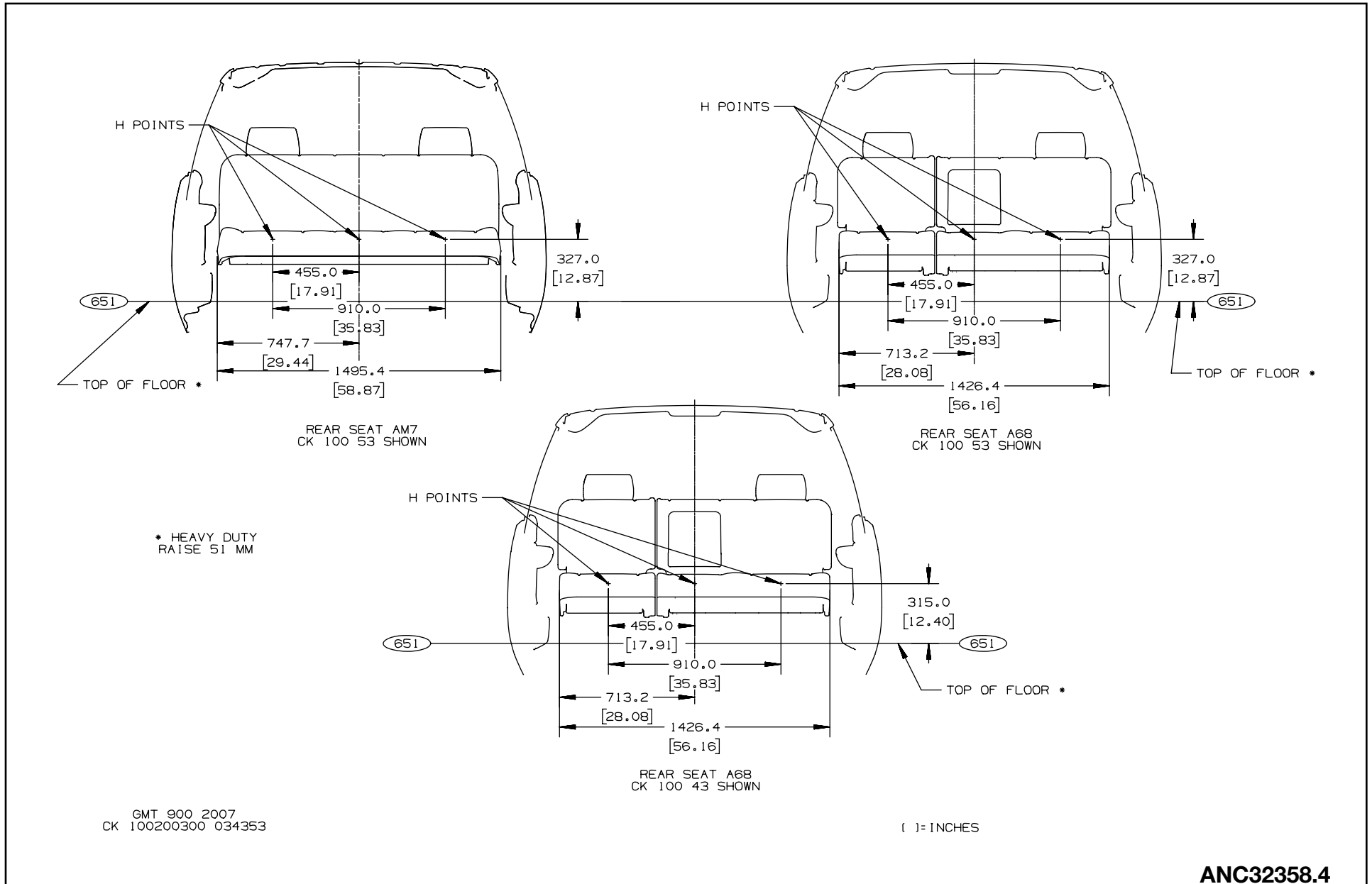
Seating Positions and H Points 1st Row Front View, Pickups - C/K 100/200/300 (03/53/43)



ANC32358.3

FULL SIZE C/K LD PICKUPS

Seating Positions and H Points 2nd Row Front View, Pickups – C/K 100/200/300 (03/53/43)



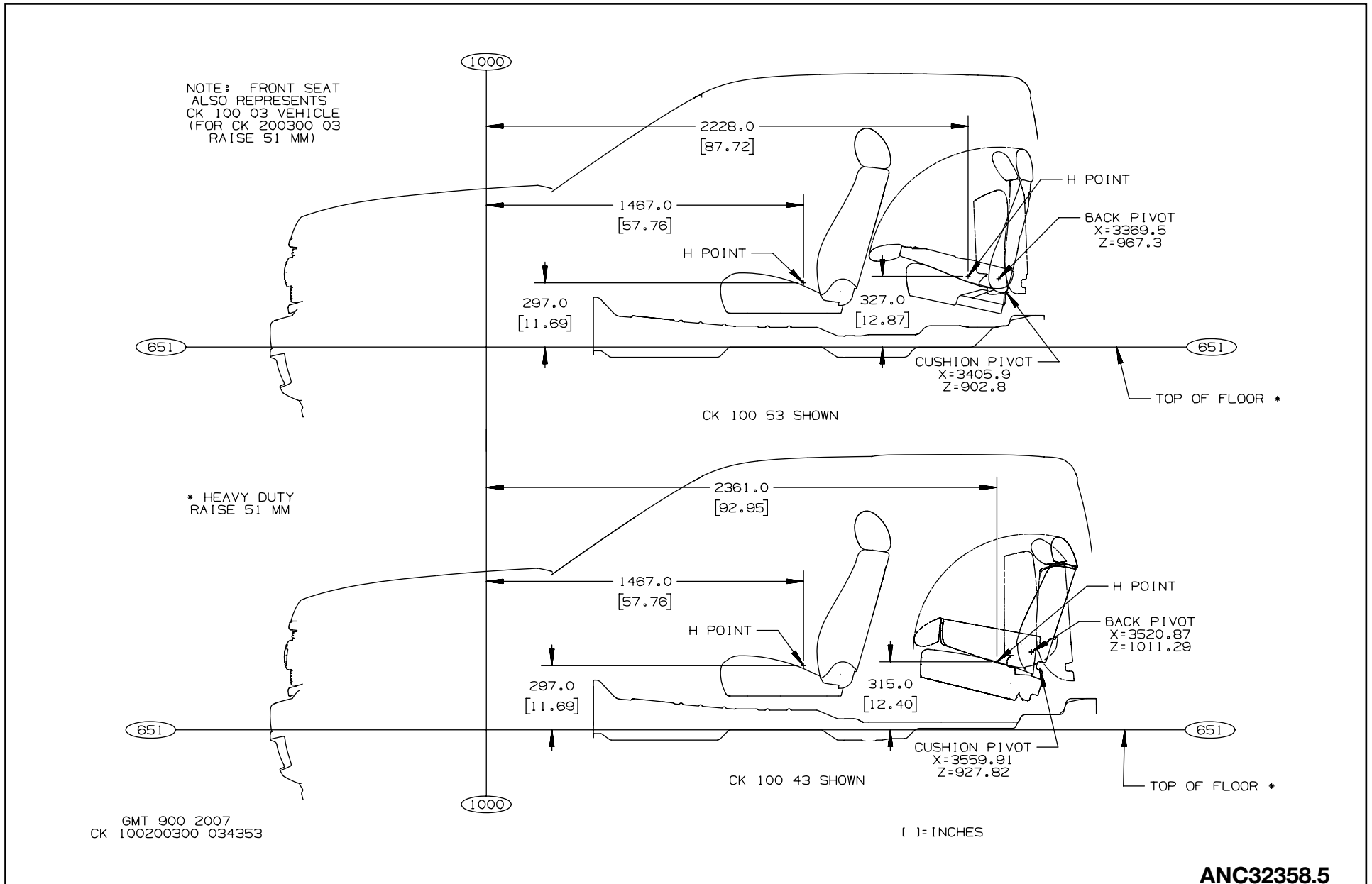
GMT 900 2007
CK 100200300 034353

1:1 INCHES

ANC32358.4

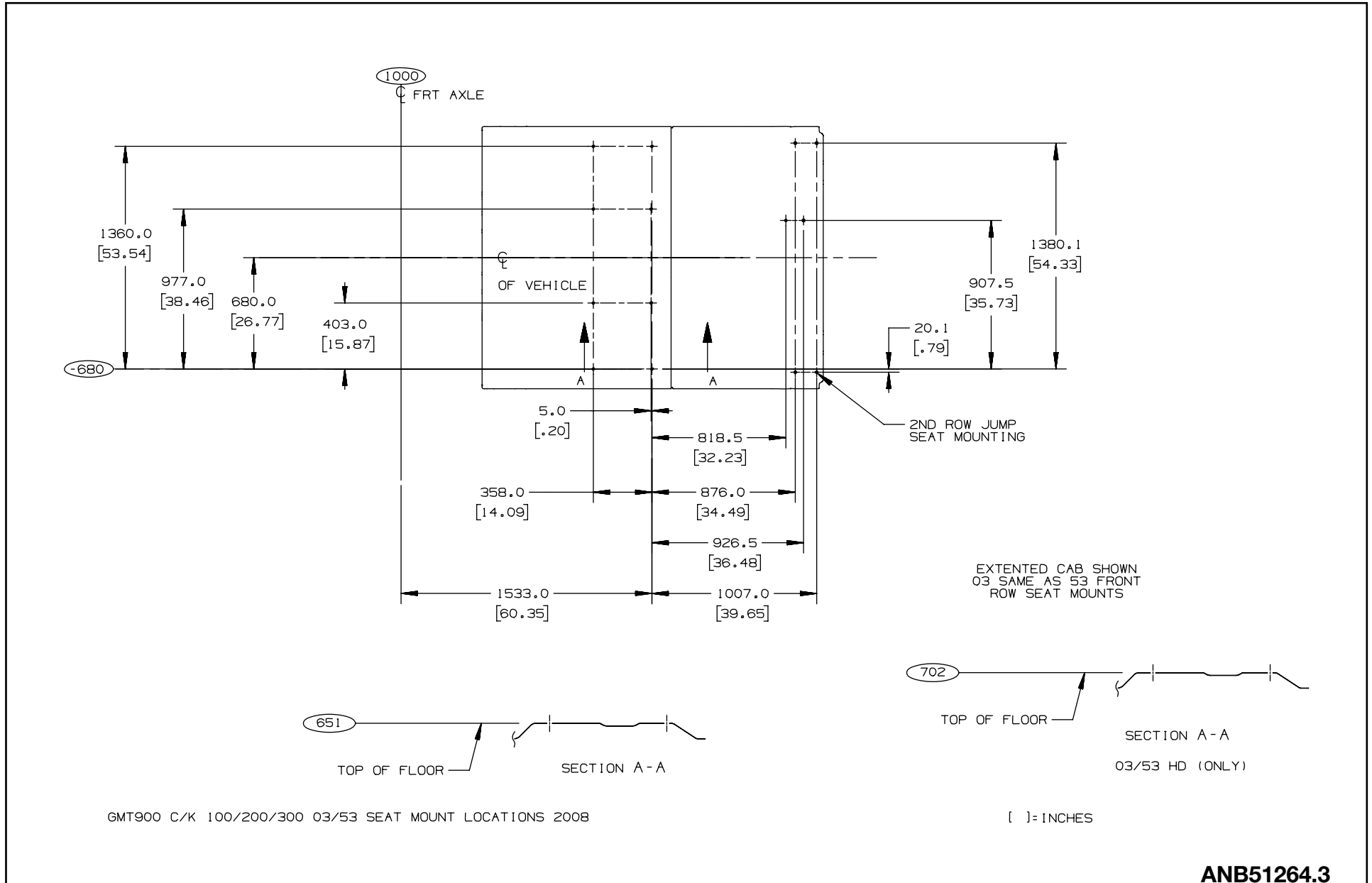
FULL SIZE C/K LD PICKUPS

Seating Positions and H Points Side View, Pickups – C/K 100/200/300 (03/53/43)



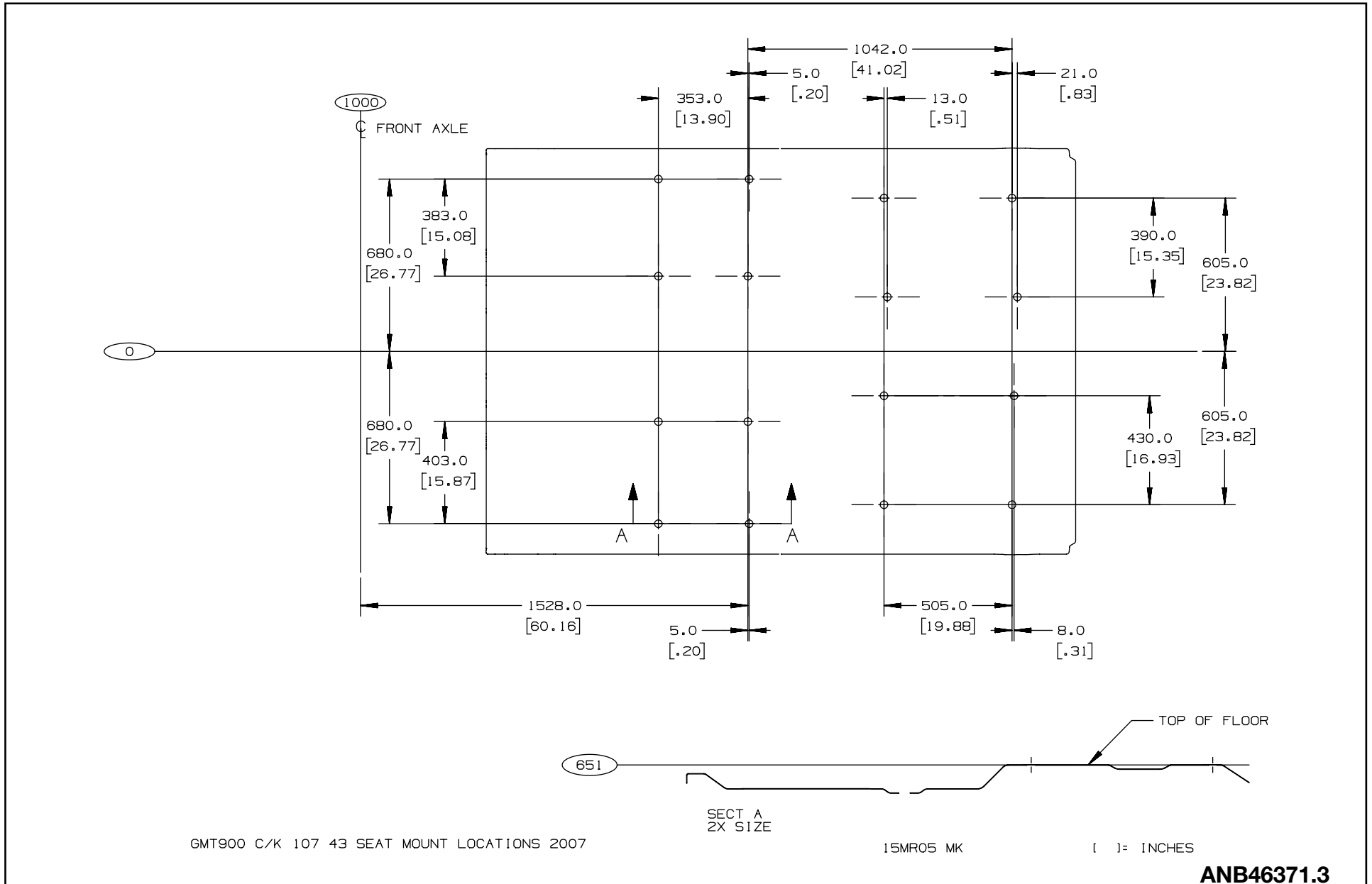
FULL SIZE C/K LD PICKUPS

C/K 100/200/300 (03/53) – Seat Mounting Holes Locations – Floor



FULL SIZE C/K LD PICKUPS

C/K 15743 – Seat Mounting Holes Locations – Floor



GMT900 C/K 107 43 SEAT MOUNT LOCATIONS 2007

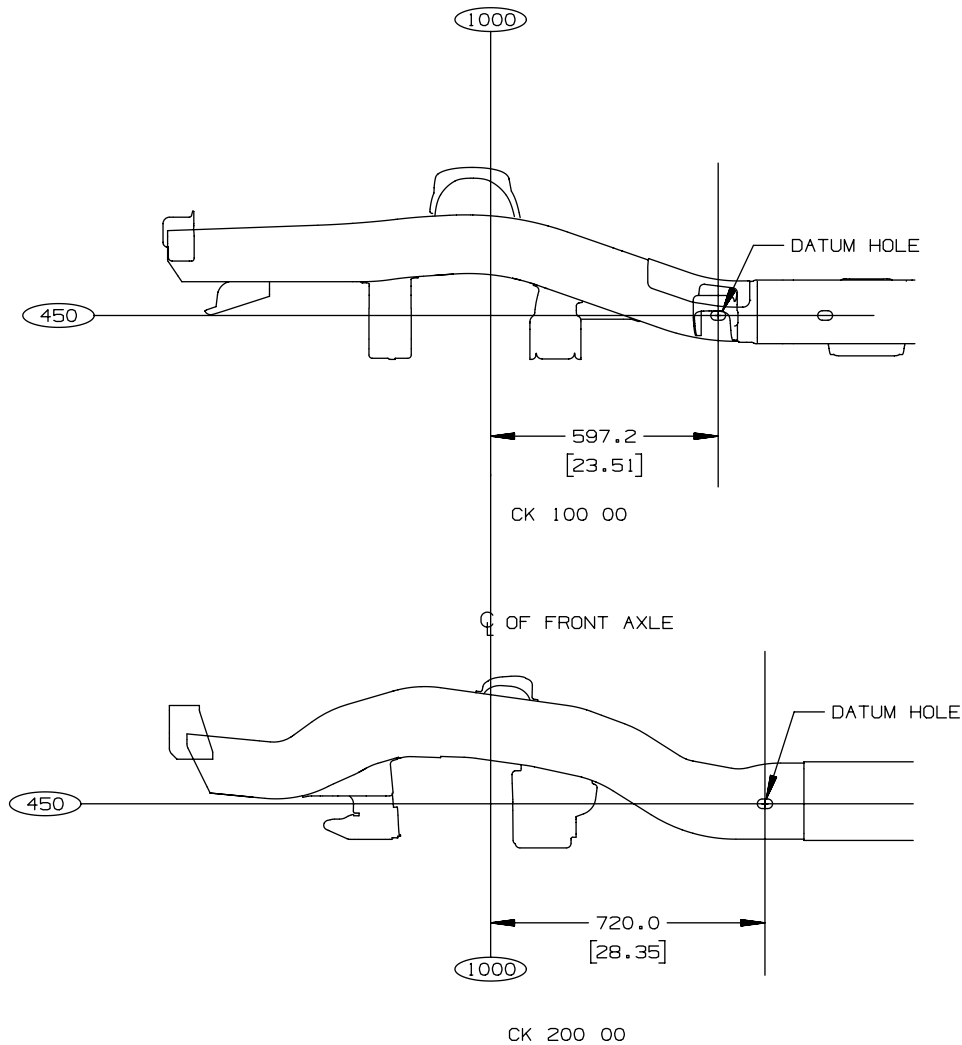
15MR05 MK

1] = INCHES

ANB46371.3

FULL SIZE C/K LD PICKUPS

C/K 100 (00) and C/K 200 (00) – Datum Hole Location



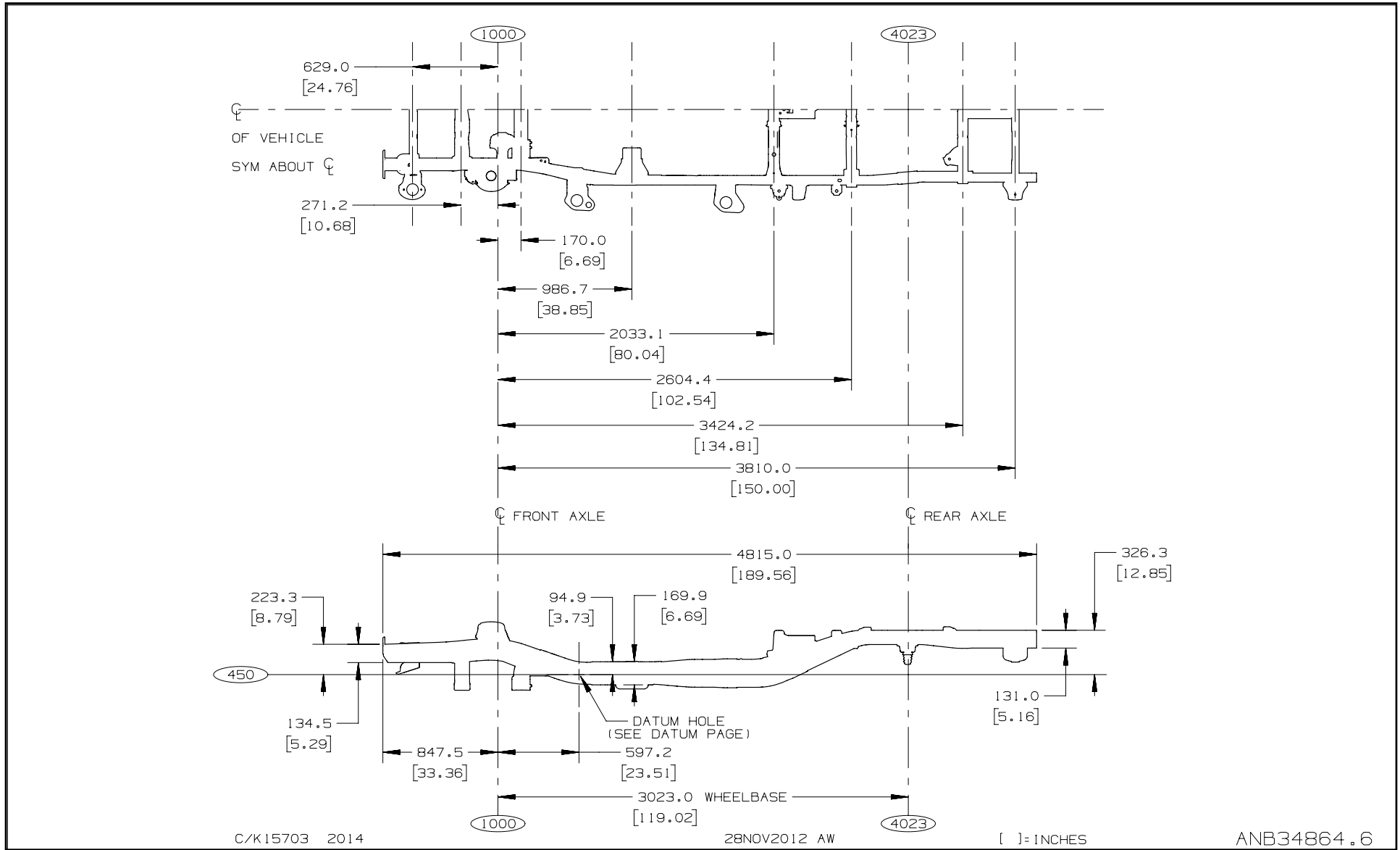
GMT 900 CK100200 00 FRAME DATUM LOCATIONS

[] = INCHES

ANC30752.3

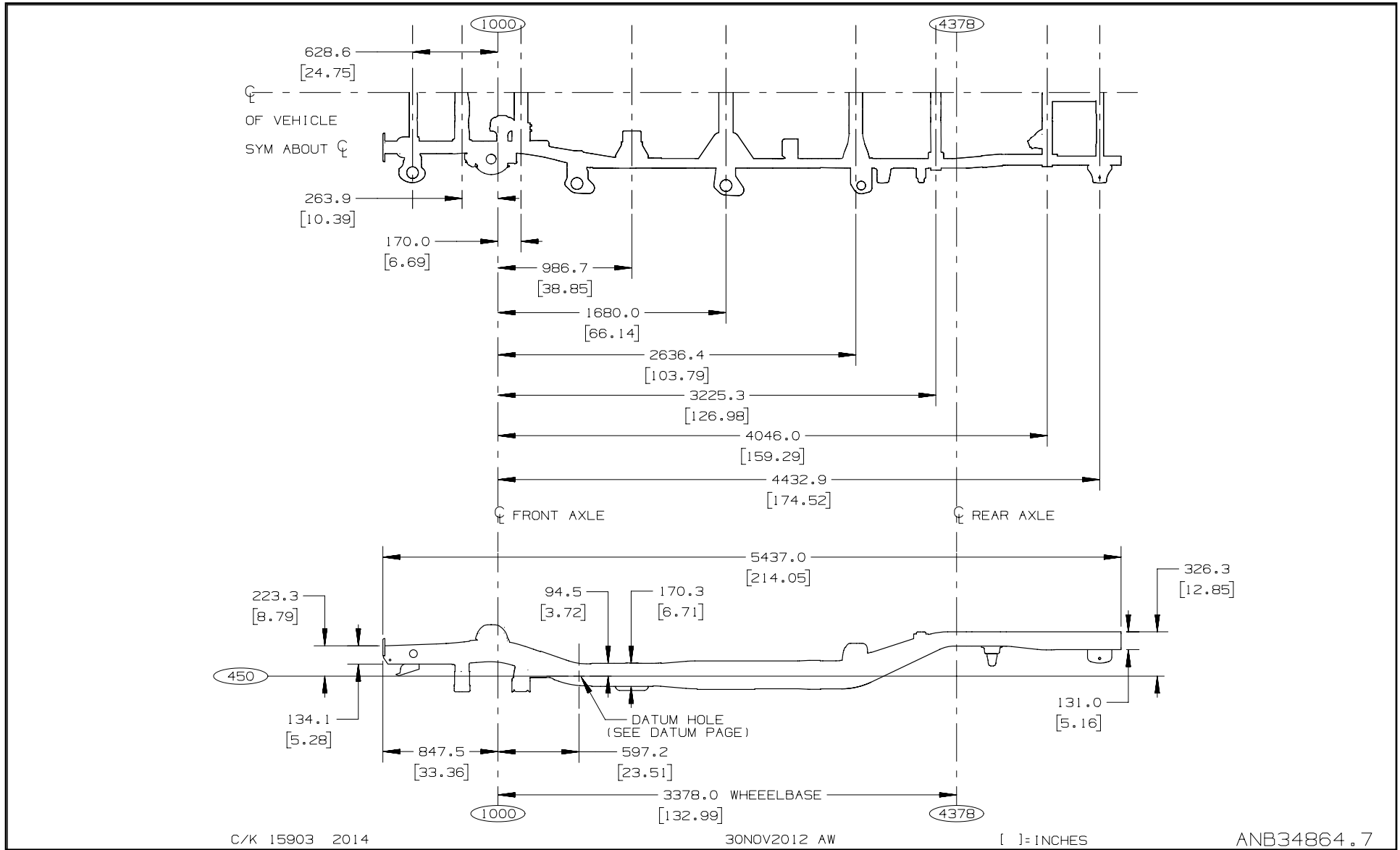
FULL SIZE C/K LD PICKUPS

C/K 15703 – Frame Rail and Crossmember Locations



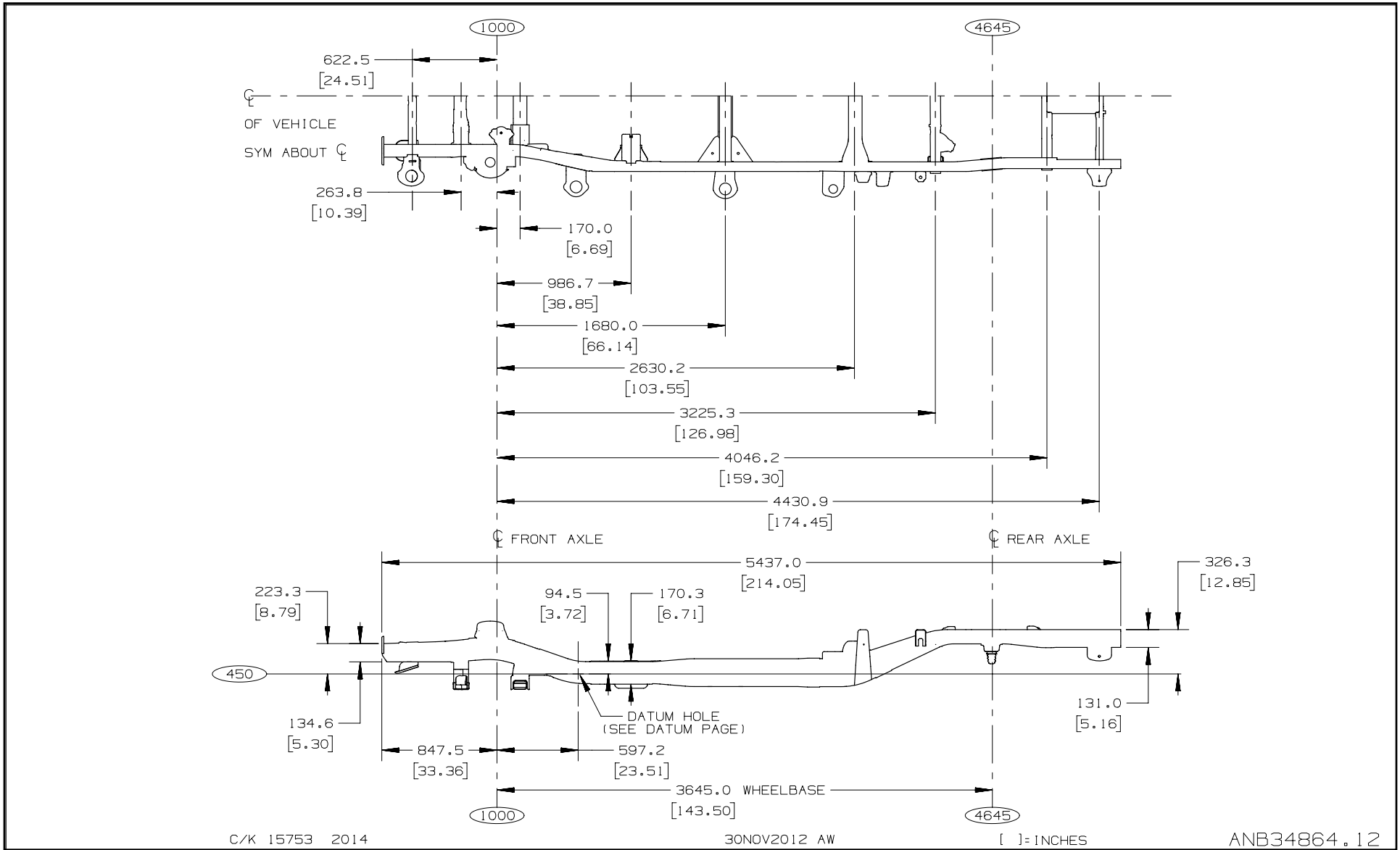
FULL SIZE C/K LD PICKUPS

C/K 15903 - Frame Rail and Crossmember Locations



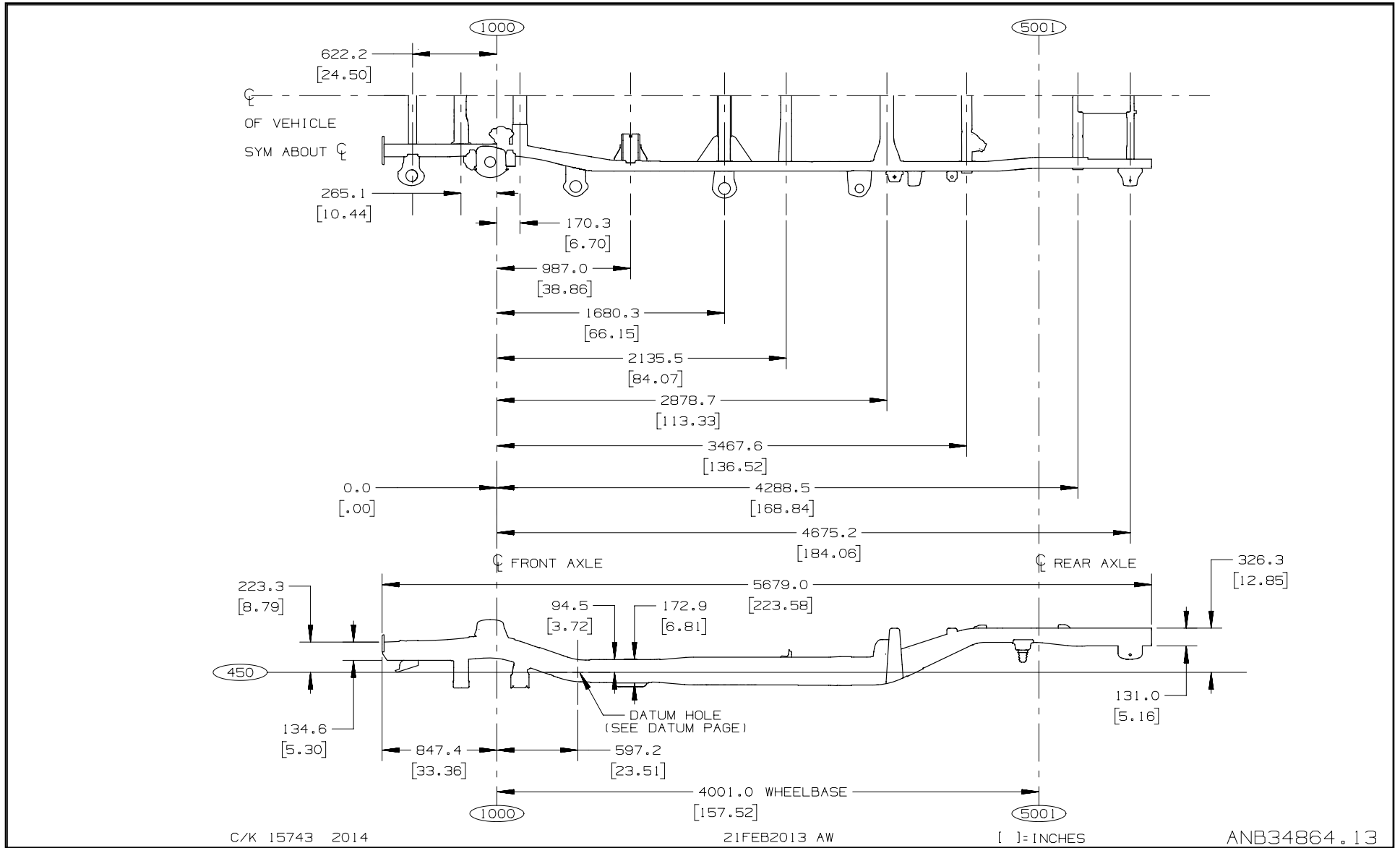
FULL SIZE C/K LD PICKUPS

C/K 15753 - Frame Rail and Crossmember Locations



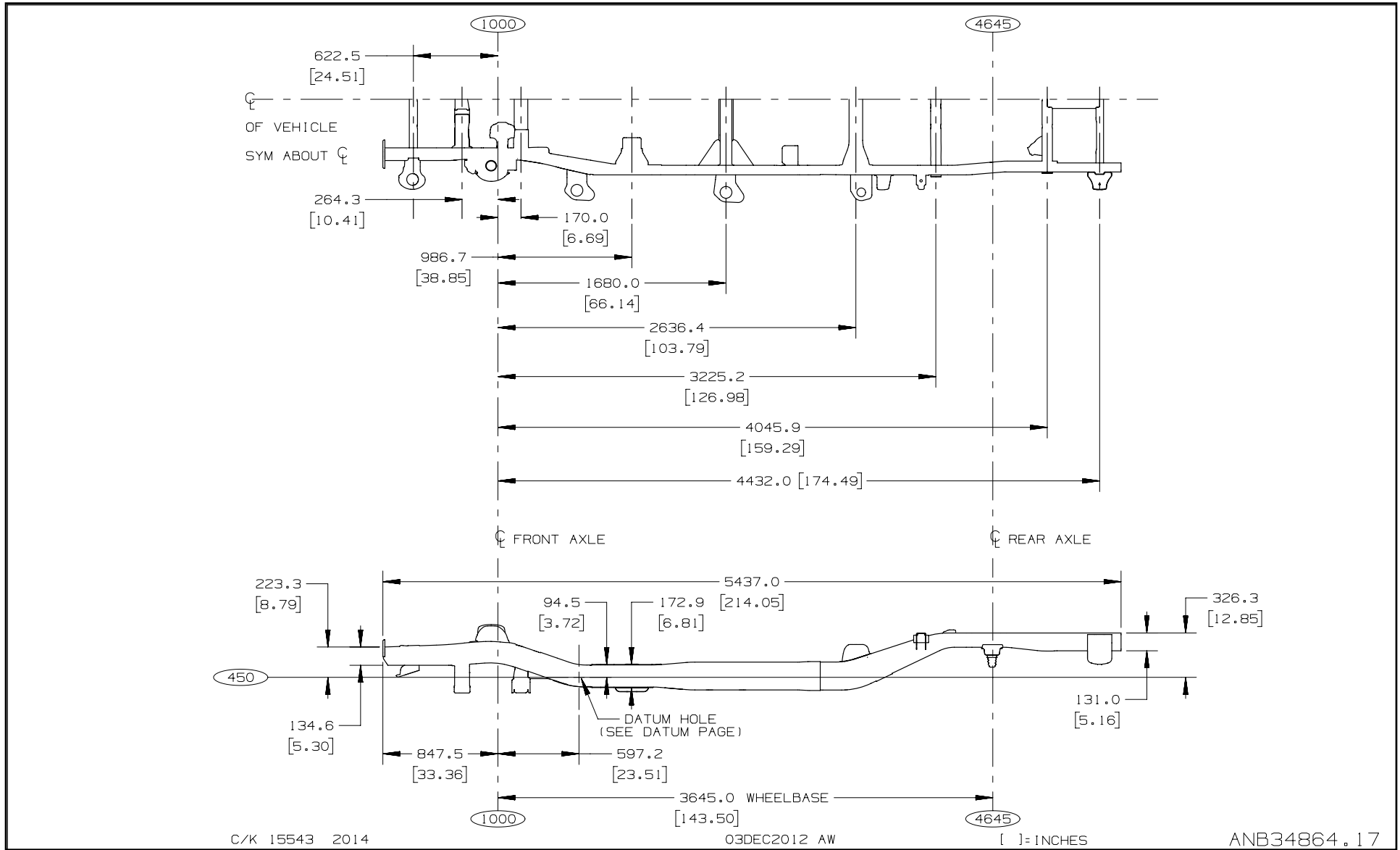
FULL SIZE C/K LD PICKUPS

C/K 15743 - Frame Rail and Crossmember Locations



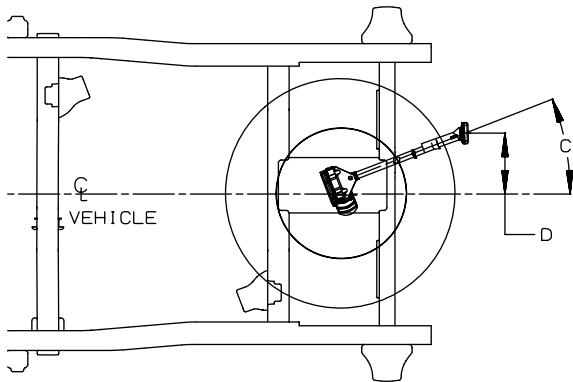
FULL SIZE C/K LD PICKUPS

C/K 15543 - Frame Rail and Crossmember Locations

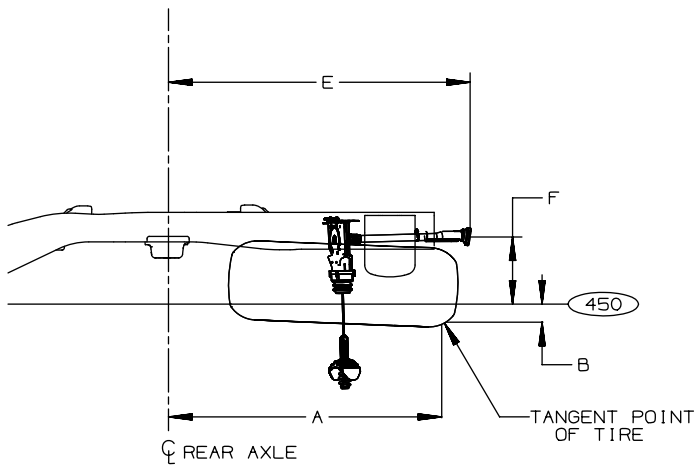


FULL SIZE C/K LD PICKUPS

C/K 1000 Series Pickups – Spare Tire Location



MODEL	TIRE	A	B	C	D	E	F
CK10703	P265/75R-17	923.0 (36.34)	81.0 (3.17)	21°	216.3 (8.50)	1072.3 (42.22)	240.0 (9.45)
CK10753	P265/70R-17	945.5 (37.22)	81.0 (3.17)	21°	216.3 (8.50)	990.5 (39.00)	240.0 (9.45)
CK10903	P265/70R-17	945.5 (37.22)	81.0 (3.17)	21°	216.3 (8.50)	1094.8 (43.10)	222.0 (8.74)
CK10953	P265/70R-17	923.0 (36.34)	81.0 (3.17)	16.5°	216.3 (8.50)	1197.0 (47.12)	222.0 (8.74)
CK10543	P265/70R-17	895.5 (35.25)	81.0 (3.17)	21°	203.2 (8.00)	1020.5 (40.18)	240.0 (9.45)
CK10553	P265/70R-17	631.5 (24.90)	81.0 (3.17)	21°	216.3 (8.50)	1072.3 (42.22)	222.0 (8.74)



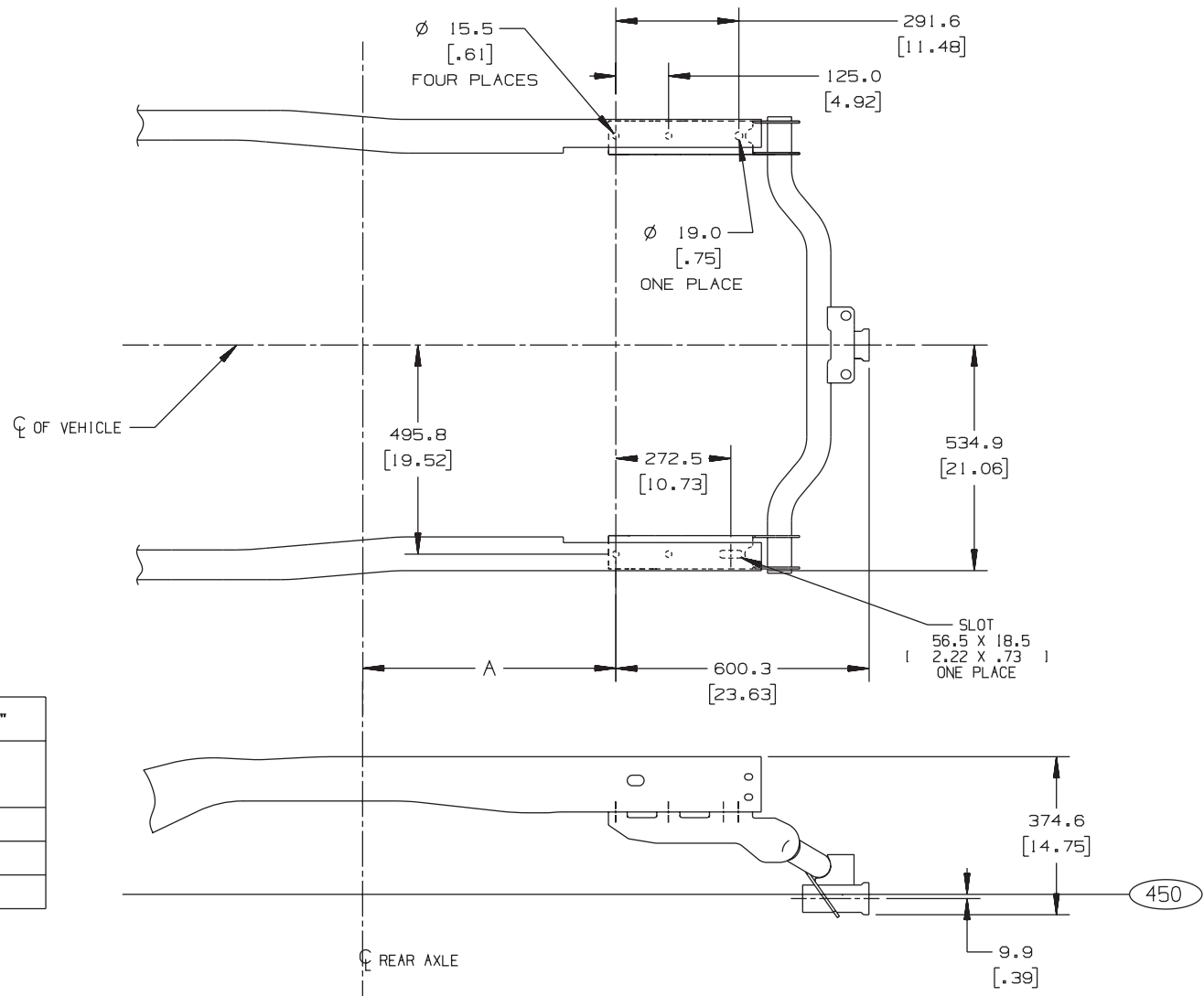
GMT900 2007 SPARE TIRE TRUCKS 1000 SERIES

()= INCHES

ANC39360.4

FULL SIZE C/K LD PICKUPS

Pickups C/K 100 (03/53/43) – Platform Hitch



MODEL	CL REAR AXLE	DIM "A"
C/K 155 43	4645	599.6
C/K 157 53	4023	599.8
C/K 159 03	4378	724.2
C/K 159 53	5001	723.9

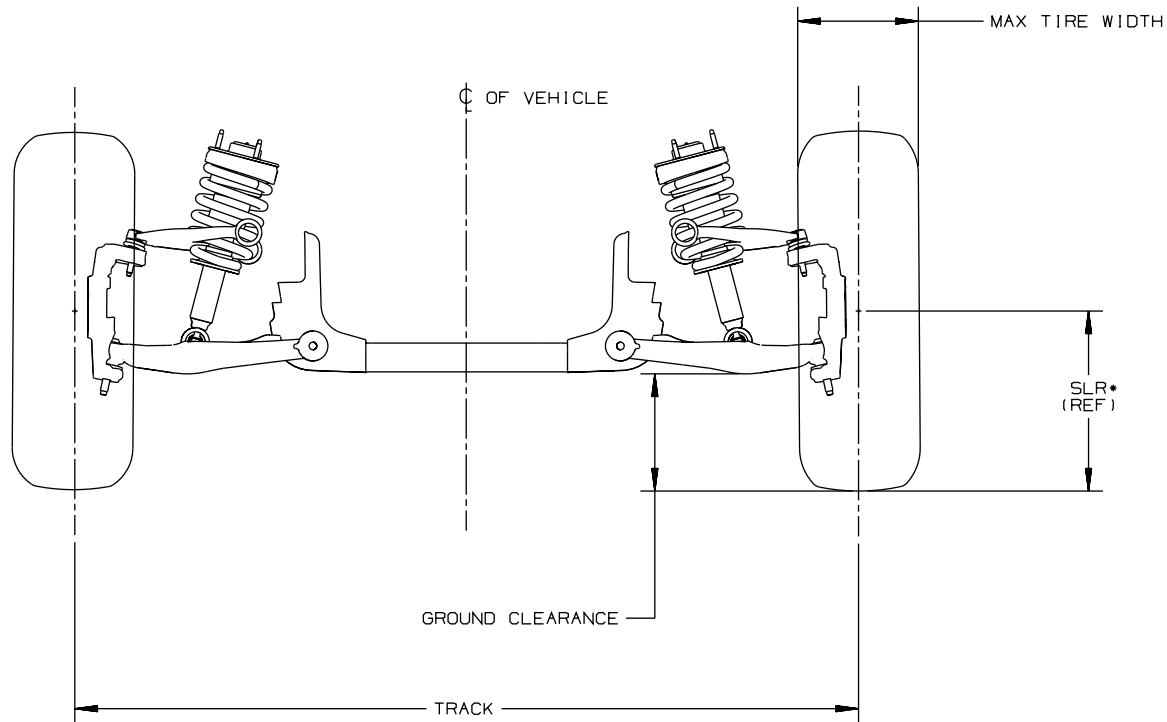
GMT900 C/K 100 03/43/53 2008

[] = INCHES

ANB84248.3

FULL SIZE C/K LD PICKUPS

Front Axle Tire Data Drawing – C/K 10000 Pickups



- VYU = SNOW PLOW
- Z83 = CHASSIS PACKAGE SOLID SMOOTH RIDE
- Z85 = CHASSIS PACKAGE INCREASED CAPACITY
- E63 = BODY EQUIPMENT FLEETSIDE PICKUP BOX
- Z71 = CHASSIS PACKAGE OFF ROAD
- ZW7 = CHASSIS PACKAGE PREMIUM SMOOTH RIDE

*MINIMUM GROUND CLEARANCE TO BE
CALCULATED BY USING GROSS
AXLE WEIGHT AND RECOMMENDED TIRE PRESURE

GMT900 UTILITIES 1000 SERIES/TRUCK 1000 SERIES FRONT AXLE/TIRE DATA (2007)

1" = INCHES

ANB46140.13

FULL SIZE C/K LD PICKUPS

Front Axle Tire Data Chart – C/K 1000 Pickups

SERIES	OPT	SLR	TIRES	GVW RATING	REAR WHEEL	TRACK	WHEEL OFFSET	MAX TIRE WIDTH	GROUND CLEARANCE
CK15703	Z83/Z85/E63/Z71/Z60	370	P265/65R18	6400	SINGLE	1726.3	31.0	TBD	217.6
C15753	Z83/Z85/E63/Z71/Z60	351	P245/70R17	6800	SINGLE	1726.3	31.0	266.0	181.4
C15753	Z83/Z85/E63/Z71/Z60	368	P265/70R17	6800	SINGLE	1726.3	31.0	281.0	198.6
C15753	Z83/Z85/E63/Z71/Z60	370	P265/65R18	6800	SINGLE	1726.3	31.0	286.0	206.7
C15753	Z83/Z85/E63/Z71/Z60	368	P275/55R20	6800	SINGLE	1726.3	31.0	298.0	199.2
C15753	Z83/Z85/E63/Z71/Z60	359	LT245/70R17	7000	SINGLE	1726.3	31.0	266.0	195.7
C15753	Z83/Z85/E63/Z71/Z60	366	P265/70R17	7000	SINGLE	1726.3	31.0	281.0	202.7
C15753	Z83/Z85/E63/Z71/Z60	368	P275/55R20	7000	SINGLE	1726.3	31.0	298.0	205.3
K15753	Z83/Z85/E63/Z71/Z60	365	P265/70R17	7000	SINGLE	1726.3	31.0	281.0	207.6
K15753	Z83/Z85/E63/Z71/Z60	367	P265/65R18	7000	SINGLE	1726.3	31.0	286.0	189.9
K15753	Z83/Z85/E63/Z71/Z60	365	P275/55R20	7000	SINGLE	1726.3	31.0	298.0	208.0
K15753	Z83/Z85/E63/Z71/Z60	356	LT245/70R17	7200	SINGLE	1726.3	31.0	266.0	199.1
K15753	Z83/Z85/E63/Z71/Z60	363	P265/70R17	7200	SINGLE	1726.3	31.0	281.0	185.9
K15753	Z83/Z85/E63/Z71/Z60	365	P275/55R20	7200	SINGLE	1726.3	31.0	298.0	208.0
C15903	Z83/Z85/E63/Z71	353	P245/70R17	6400	SINGLE	1726.3	31.0	266.0	195.6
C15903	Z83/Z85/E63/Z71	370	P265/70R17	6400	SINGLE	1726.3	31.0	281.0	203.4
C15903	Z83/Z85/E63/Z71	370	P265/65R18	6400	SINGLE	1726.3	31.0	286.0	202.8
K15903	VYU/Z83/Z85/E63/Z71	347	P245/70R17	6800	SINGLE	1726.3	31.0	266.0	173.8
K15903	VYU/Z83/Z85/E63/Z71	370	P265/65R18	6800	SINGLE	1726.3	31.0	286.0	195.8
K15903	VYU/Z83/Z85/E63/Z71	359	LT24570R17	6800	SINGLE	1726.3	31.0	266.0	184.8
K15903	VYU/Z83/Z85/E53Z71	365	P265/70R17	6800	SINGLE	1726.3	31.0	281.0	191.1
C15953	Z83/Z85/E63/Z71	350	P245/70R17	6900	SINGLE	1726.3	31.0	266.0	186.2
C15953	Z83/Z85/E63/Z71	369	P265/65R18	6900	SINGLE	1726.3	31.0	286.0	204.7
C15953	Z83/Z85/E63/Z71	367	P265/70R17	6900	SINGLE	1726.3	31.0	291.0	202.4
K15953	Z83/Z85/E63/Z71	348	P245/70R17	7000	SINGLE	1726.3	31.0	266.0	194.0
K15953	Z83/Z85/E63/Z71	365	P265/70R17	7000	SINGLE	1726.3	31.0	291.0	211.2
K15953	Z83/Z85/E63/Z71	367	P265/65R18	7000	SINGLE	1726.3	31.0	286.0	212.6

GMT900 TRUCKS FRONT AXLE/TIRE DATA 1000 SERIES (2007)

METRIC CONVERSION TO INCHES
MM / 25.4 = INCHES

ANB46140.17

FULL SIZE C/K LD PICKUPS

Front Axle Tire Data Chart – C/K 1000 Pickups

SERIES	OPT	SLR	TIRES	GVW RATING	REAR WHEEL	TRACK	WHEEL OFFSET	MAX TIRE WIDTH	GROUND CLEARANCE
C15543	Z71/783/Z85/E63	346	LT245/70R17	6800	SINGLE	1726.3	31.0	266.0	183.0
C15543	Z71/783/Z85/E63	346	P245/70R17	6800	SINGLE	1726.3	31.0	266.0	183.0
C15543	Z71/783/Z85/E63	370	P265/65R18	6800	SINGLE	1726.3	31.0	286.0	206.7
C15543	Z71/783/Z85/E63	359	LT245/70R17	6800	SINGLE	1726.3	31.0	266.0	195.7
C15543	Z71/783/Z85/E63	368	P265/70R17	6800	SINGLE	1726.3	31.0	281.0	203.8
C15543	Z71/783/Z85/E63	368	P275/55R20	6800	SINGLE	1726.3	31.0	298.0	205.0
K15543	Z71/783/Z85/E63	365	P275/55R20	7000	SINGLE	1726.3	31.0	298.0	211.4
K15543	Z71/783/Z85/E63	367	P265/65R18	7000	SINGLE	1726.3	31.0	286.0	212.7
C15543	Z71/783/Z85/E63	368	P265/65R18	7100	SINGLE	1726.3	31.0	286.0	220.0
K15543	Z71/783/Z85/E63	365	P265/70R17	7000	SINGLE	1726.3	31.0	281.0	204.0
K15543	Z71/783/Z85/E63	348	LT245/70R17	7000	SINGLE	1726.3	31.0	266.0	193.6
K15543	Z71/783/Z85/E63	348	P245/70R17	7000	SINGLE	1726.3	31.0	266.0	193.6
K15543	Z71/783/Z85/E63	356	LT245/70R17	7300	SINGLE	1726.3	31.0	266.0	202.5
K15543	Z71/783/Z85/E63	365	P275/55R20	7300	SINGLE	1726.3	31.0	298.0	211.4
K15543	Z71/783/Z85/E63	363	P265/70R17	7300	SINGLE	1726.3	31.0	281.0	208.7

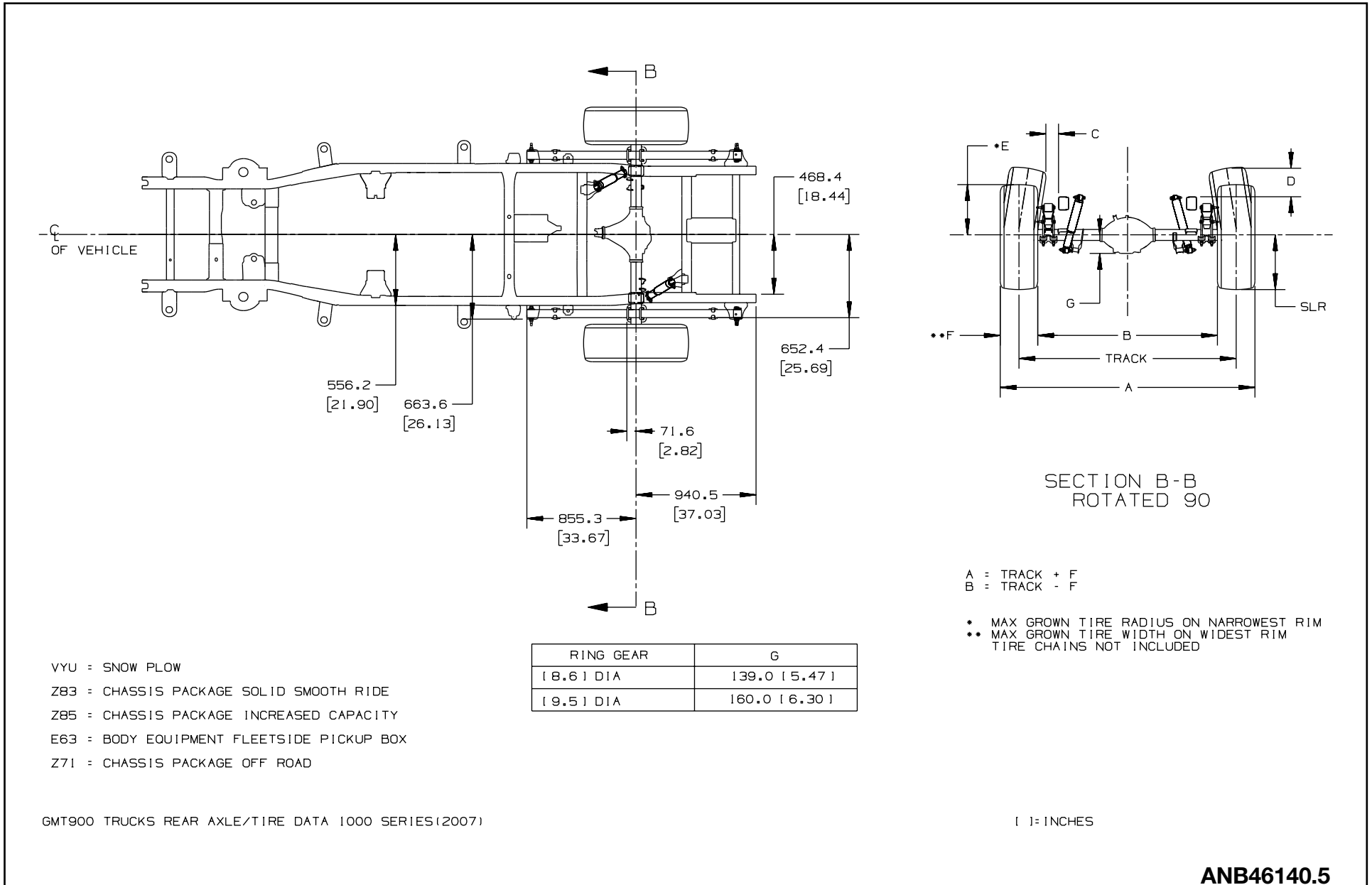
GMT900 TRUCKS FRONT AXLE/TIRE DATA 1000 SERIES (2007)

METRIC CONVERSION TO INCHES
MM / 25.4 = INCHES

ANB46140.18

FULL SIZE C/K LD PICKUPS

Rear Axle Tire Data Drawing – C/K 10000 Pickups



FULL SIZE C/K LD PICKUPS

Rear Axle Tire Data Chart – C/K 10000 Pickups

SERIES	OPT	SLR	TIRES	GVW RATING	REAR WHEEL	TRACK	WHEEL OFFSET	-A-	-B-	-C-	-D-	-E-	-F-
CK15703	Z83/Z85/E63	369	P265/65R18	6400	SINGLE	1701.8	31.0	1986.9	1414.9	119.9	234.9	408.5	286.0
CK15703	Z83/Z85/E63	367	P265/70R17	6400	SINGLE	1701.8	31.0	1980.8	1418.8	123.7	171.2	410.0	281.0
CK15703	Z83/Z85/E63	345	P245/70R17	6400	SINGLE	1701.8	31.0	1967.9	1435.9	130.3	228.9	393.9	266.0
CK15703	Z83/Z85/E63	367	P275/55R20	6400	SINGLE	1701.8	31.0	1999.0	1403.0	112.3	244.3	410.0	298.0
CK15703	VYU/Z83/Z85/E63	345	LT245/70R17	6400	SINGLE	1701.8	31.0	1967.9	1435.9	130.6	229.7	393.9	266.0
C15753	Z83/Z85/E63/Z71/Z60	345	P245/70R17	6400	SINGLE	1701.8	31.0	1967.9	1435.9	129.9	228.9	393.9	266.0
C15753	Z83/Z85/E63/Z71/Z60	367	P265/70R17	6400	SINGLE	1701.8	31.0	1980.8	1418.8	122.1	236.7	410.0	281.0
C15753	Z83/Z85/E63/Z71/Z60	367	P265/65R18	6800	SINGLE	1701.8	31.0	1986.9	1414.9	118.8	241.3	408.5	286.0
C15753	Z83/Z85/E63/Z71/Z60	348	P245/70R17	6800	SINGLE	1701.8	31.0	1967.9	1435.9	129.9	228.9	393.9	266.0
C15753	Z83/Z85/E63/Z71/Z60	365	P265/70R17	6800	SINGLE	1701.8	31.0	1982.8	1420.8	122.1	236.7	380.0	281.0
C15753	Z83/Z85/E63/Z71/Z60	365	P275/55R20	6800	SINGLE	1701.8	31.0	1999.0	1403.0	111.9	244.3	410.0	298.0
C15753	Z83/Z85/E63/Z71/Z60	361	P265/70R17	7000	SINGLE	1701.8	31.0	1980.8	1418.8	122.1	236.7	410.0	281.0
C15753	Z83/Z85/E63/Z71/Z60	355	LT245/70R17	7000	SINGLE	1701.8	31.0	1967.9	1435.9	130.2	229.7	396.9	266.0
C15753	Z83/Z85/E63/Z71/Z60	365	P275/55R20	7000	SINGLE	1701.8	31.0	1999.0	1403.0	111.9	244.3	410.0	298.0
K15753	Z83/Z85/E63/Z71/Z60	355	P245/70R17	7000	SINGLE	1701.8	31.0	1967.9	1435.9	129.9	228.9	393.9	266.0
K15753	Z83/Z85/E63/Z71/Z60	367	P265/65R18	7000	SINGLE	1701.8	31.0	1986.9	1414.9	118.8	241.3	408.5	286.0
K15753	Z83/Z85/E63/Z71/Z60	365	P265/70R17	7000	SINGLE	1701.8	31.0	1982.8	1420.8	122.1	236.7	380.0	281.0
K15753	Z83/Z85/E63/Z71/Z60	365	P275/55R20	7000	SINGLE	1701.8	31.0	1999.0	1403.0	111.9	244.3	410.0	298.0
K15753	Z83/Z85/E63/Z71/Z60	361	P265/70R17	7200	SINGLE	1701.8	31.0	1980.8	1418.8	122.1	236.7	410.0	281.0
K15753	Z83/Z85/E63/Z71/Z60	355	LT245/70R17	7200	SINGLE	1701.8	31.0	1967.9	1435.9	130.2	229.7	393.9	266.0
K15753	Z83/Z85/E63/Z71/Z60	363	P275/55R20	7200	SINGLE	1701.8	31.0	1999.0	1403.0	111.9	244.3	410.0	298.0
C15903	Z85/Z83/Z71/E63	345	LT245/70R17	6400	SINGLE	1701.8	31.0	1967.9	1435.9	130.2	229.7	393.9	266.0
C15903	Z85/Z83/Z71/E63	369	P265/65R18	6400	SINGLE	1701.8	31.0	1980.8	1418.8	118.8	241.3	410.0	281.0
C15903	Z85/Z83/Z71/E63	349	P245/70R17	6400	SINGLE	1701.8	31.0	1967.9	1435.9	130.2	229.7	393.9	266.0
C15903	Z85/Z83/Z71/E63	367	P265/70R17	6400	SINGLE	1701.8	31.0	1980.8	1418.8	119.5	234.9	410.0	281.0
K15903	Z85/Z83/Z71/E63/VYU	345	P245/70R17	6400	SINGLE	1701.8	31.0	1967.9	1435.9	130.2	229.7	393.9	266.0
K15903	Z85/Z83/Z71/E63/VYU	367	P265/70R17	6400	SINGLE	1701.8	31.0	1980.8	1418.8	119.5	234.9	410.0	281.0
K15903	Z85/Z83/Z71/E63/VYU	345	LT245/70R17	6400	SINGLE	1701.8	31.0	1967.9	1435.9	130.2	229.7	393.9	266.0
K15903	Z85/Z83/Z71/E63/VYU	367	P265/65R18	6800	SINGLE	1701.8	31.0	1986.9	1414.9	122.1	236.8	408.5	286.0
K15903	Z85/Z83/Z71/E63/VYU	348	LT245/70R17	6800	SINGLE	1701.8	31.0	1967.9	1435.9	130.2	229.7	393.9	266.0
K15903	Z85/Z83/Z71/E63/VYU	348	P245/70R17	6800	SINGLE	1701.8	31.0	1967.9	1435.9	130.2	229.7	393.9	266.0
K15903	Z85/Z83/Z71/E63/VYU	365	P265/70R17	6800	SINGLE	1701.8	31.0	1980.8	1418.8	119.5	234.9	410.0	281.0

GMT900 TRUCKS REAR AXLE/TIRE DATA 1000 SERIES (2007)

METRIC CONVERSION TO INCHES
MM / 25.4 = INCHES

ANB46140.6

FULL SIZE C/K LD PICKUPS

Rear Axle Tire Data Chart – C/K 10000 Pickups

SERIES	OPT	SLR	TIRES	GVW RATING	REAR WHEEL	TRACK	WHEEL OFFSET	-A-	-B-	-C-	-D-	-E-	-F-
C15953	Z83/Z85/E63/Z71	367	P265/65R18	6900	SINGLE	1701.8	31.0	1986.9	1414.9	118.8	241.3	408.5	286.0
C15953	Z83/Z85/E63/Z71	348	P245/70R17	6900	SINGLE	1701.8	31.0	1967.9	1435.9	129.9	228.9	393.9	266.0
C15953	Z83/Z85/E63/Z71	365	P265/70R17	6900	SINGLE	1701.8	31.0	1980.8	1418.8	122.2	236.8	410.0	281.0
K15953	Z83/Z85/E63/Z71	367	P265/65R18	7000	SINGLE	1701.8	31.0	1986.9	1414.9	118.8	241.3	408.5	286.0
K15953	Z83/Z85/E63/Z71	355	P245/70R17	7000	SINGLE	1701.8	31.0	1967.9	1435.9	129.9	228.9	393.9	266.0
K15953	Z83/Z85/E63/Z71	365	P265/70R17	7000	SINGLE	1701.8	31.0	1980.8	1418.8	122.2	236.8	410.0	281.0
C15543	Z83/Z85/E63/Z71/Z60	367	P265/65R18	6800	SINGLE	1701.8	31.0	1986.9	1414.9	118.8	241.3	408.5	286.0
C15543	Z83/Z85/E63/Z71/Z60	348	LT245/70R17	6800	SINGLE	1701.8	31.0	1967.9	1435.9	130.2	229.7	393.9	266.0
C15543	Z83/Z85/E63/Z71/Z60	348	P245/70R17	6800	SINGLE	1701.8	31.0	1967.9	1435.9	130.2	229.7	393.9	266.0
C15543	Z83/Z85/E63/Z71/Z60	365	P265/70R17	6800	SINGLE	1701.8	31.0	1980.8	1418.8	122.2	236.8	410.0	281.0
C15543	Z83/Z85/E63/Z71/Z60	365	P275/55R20	6800	SINGLE	1701.8	31.0	1999.0	1403.0	111.9	244.3	410.0	298.0
K15543	Z83/Z85/E63/Z71/Z60	355	LT245/70R17	7000	SINGLE	1701.8	31.0	1967.9	1435.9	130.2	229.7	393.9	266.0
K15543	Z83/Z85/E63/Z71/Z60	367	P265/65R18	7000	SINGLE	1701.8	31.0	1986.9	1414.9	118.8	241.3	408.5	286.0
K15543	Z83/Z85/E63/Z71/Z60	365	P275/55R20	7000	SINGLE	1701.8	31.0	1999.0	1403.0	111.9	244.3	410.0	298.0
C15543	Z83/Z85/E63/Z71/Z60	364	P265/70R17	7100	SINGLE	1701.8	31.0	1980.8	1418.8	122.2	236.8	410.0	281.0
C15543	Z83/Z85/E63/Z71/Z60	363	P265/65R18	7100	SINGLE	1701.8	31.0	1986.9	1414.9	118.8	241.3	408.5	286.0
K15543	Z83/Z85/E63/Z71/Z60	365	P265/70R17	7000	SINGLE	1701.8	31.0	1980.8	1418.8	122.2	236.8	410.0	281.0
K15543	Z83/Z85/E63/Z71/Z60	355	LT245/70R17	7000	SINGLE	1701.8	31.0	1967.9	1435.9	130.2	229.7	393.9	266.0
K15543	Z83/Z85/E63/Z71/Z60	355	P245/70R17	7000	SINGLE	1701.8	31.0	1967.9	1435.9	130.2	229.7	393.9	266.0
K15543	Z83/Z85/E63/Z71/Z60	355	LT245/70R17	7300	SINGLE	1701.8	31.0	1967.9	1435.9	130.2	229.7	393.9	266.0
K15543	Z83/Z85/E63/Z71/Z60	361	P265/70R17	7300	SINGLE	1701.8	31.0	1980.8	1418.8	122.2	236.8	410.0	281.0
K15543	Z83/Z85/E63/Z71/Z60	363	P275/55R20	7300	SINGLE	1701.9	31.0	1999.0	1403.0	111.9	244.3	410.0	298.0

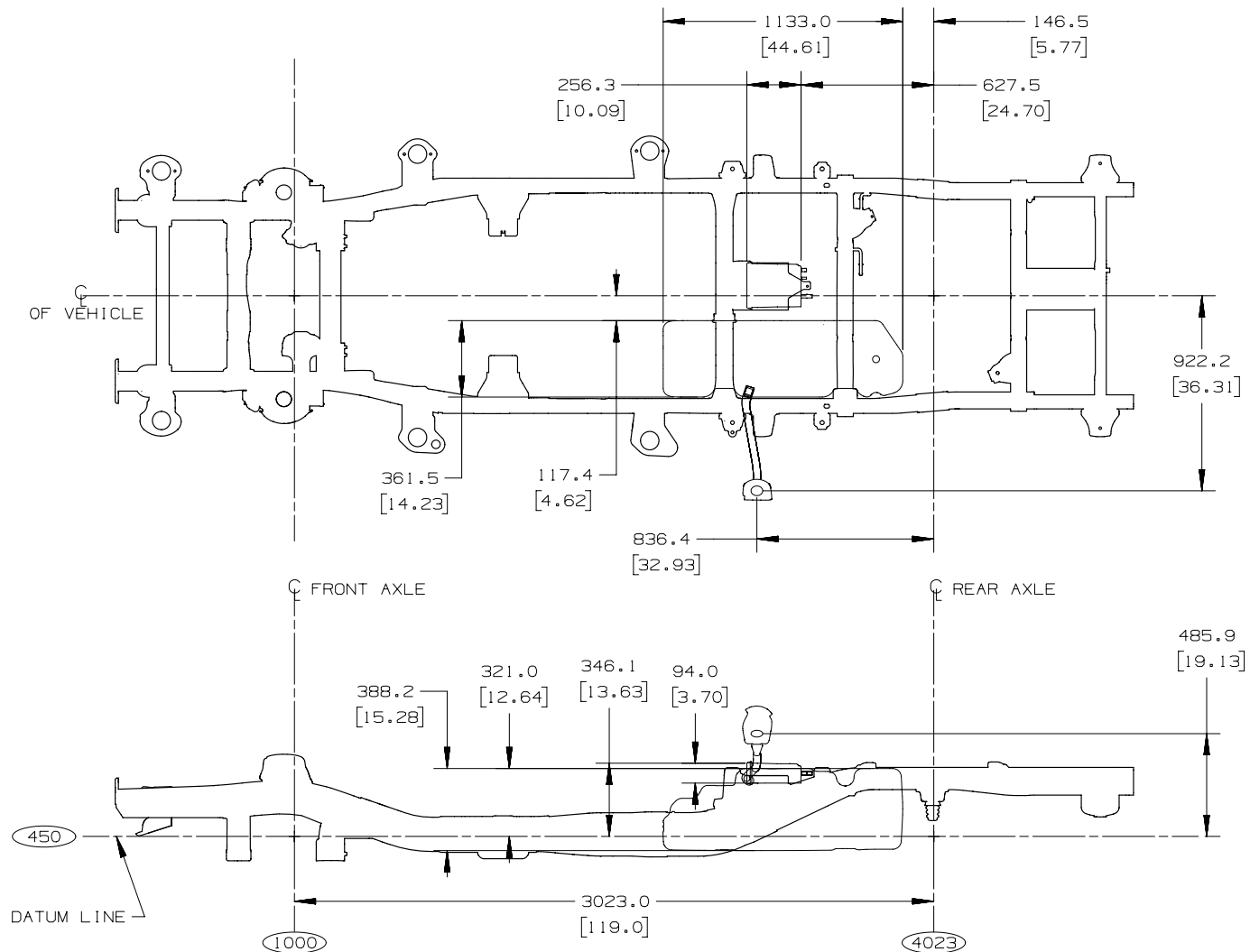
GMT900 TRUCKS REAR AXLE/TIRE DATA 1000 SERIES(2007)

METRIC CONVERSION TO INCHES
MM / 25.4 = INCHES

ANB46140.7

FULL SIZE C/K LD PICKUPS

C/K 15703 - Fuel Systems



26 GALLON FUEL TANK
CK15703 2014

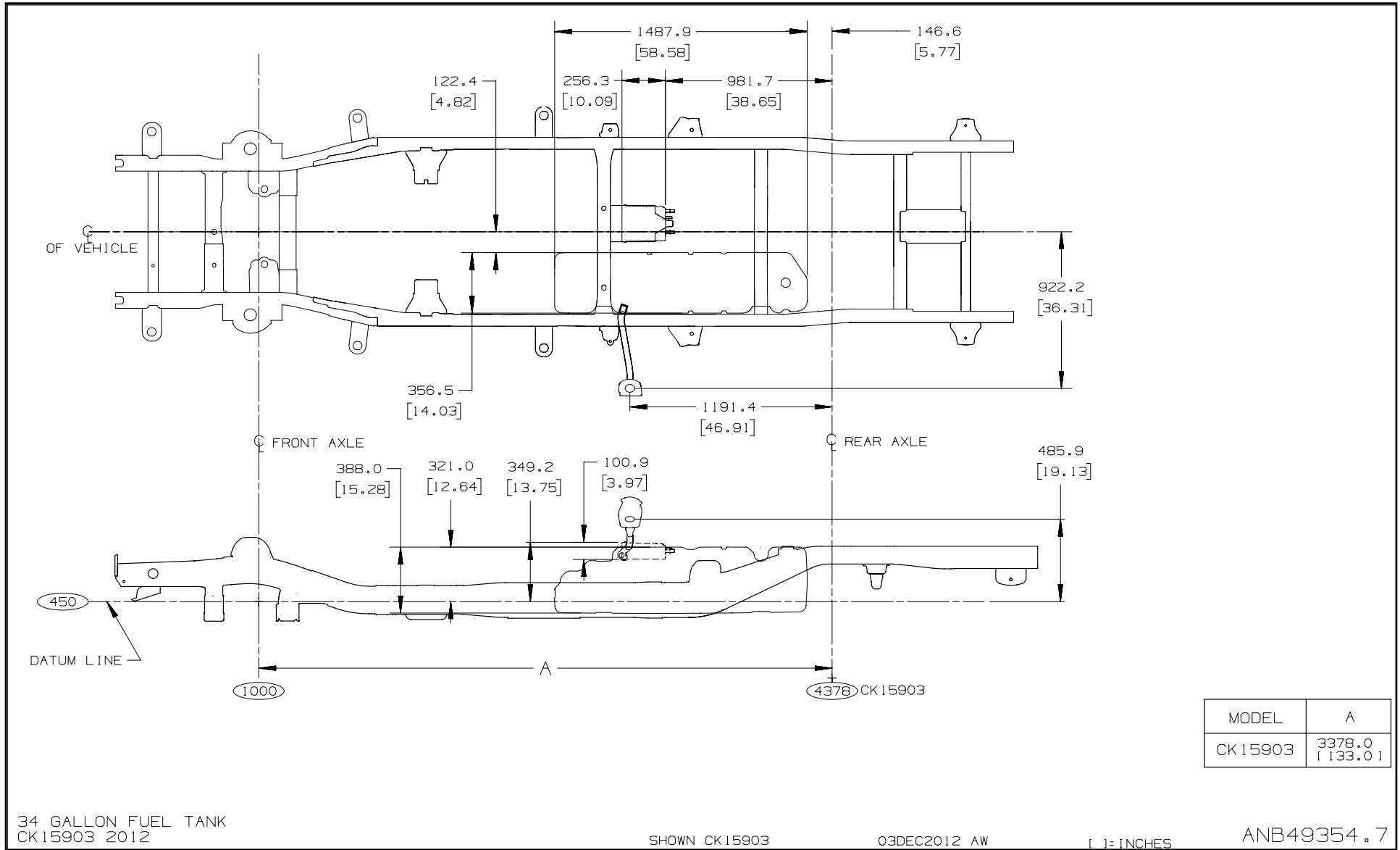
03DEC2012 AW

[1] = INCHES

ANB49354.6

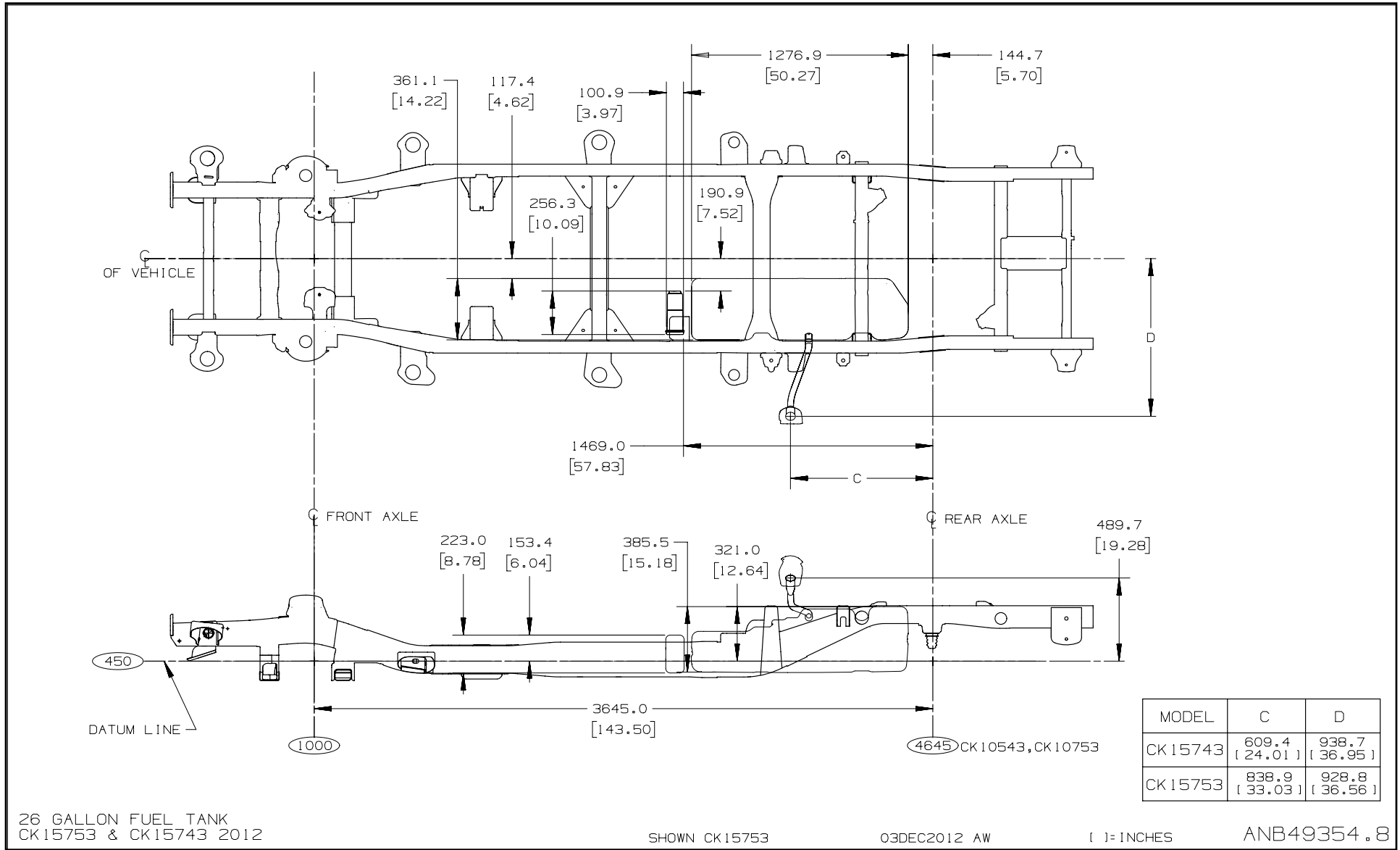
FULL SIZE C/K LD PICKUPS

C/K 15903 Pickup – Fuel Systems



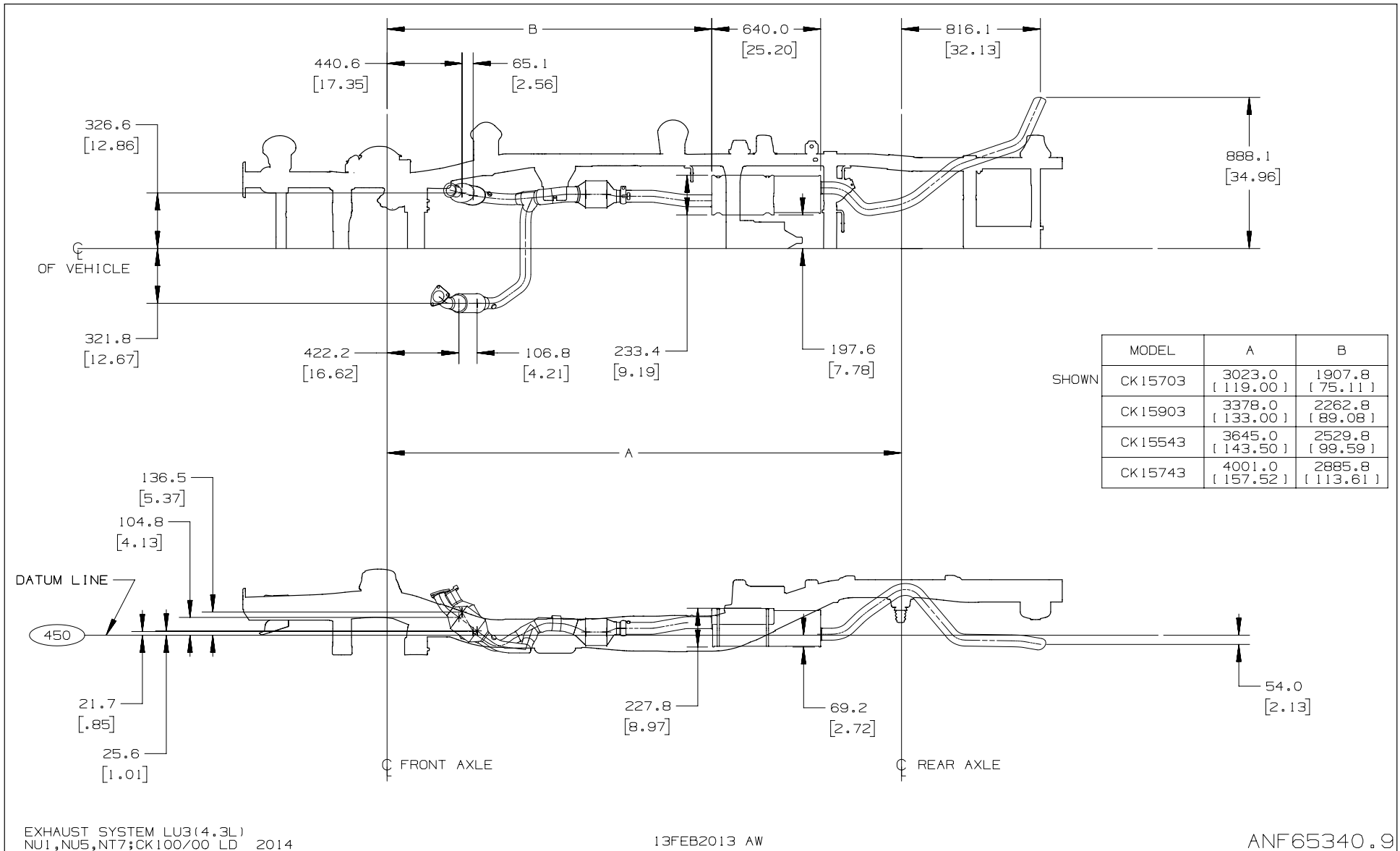
FULL SIZE C/K LD PICKUPS

C/K 15743, 15753 and C/K 15543 Pickup – Fuel Systems



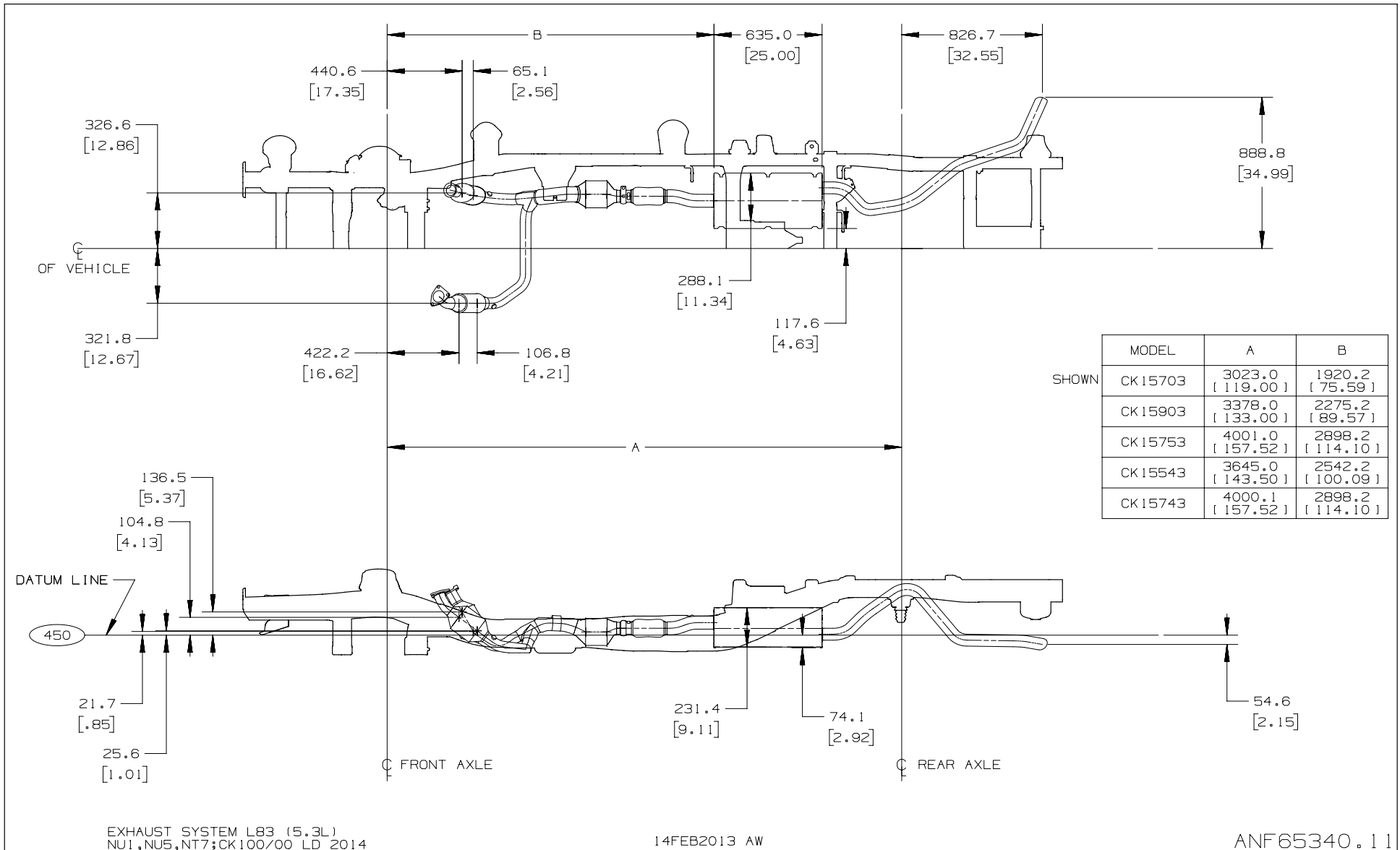
FULL SIZE C/K LD PICKUPS

C/K 100 (00) w/LU3 (4.3L V6) – Exhaust Systems



FULL SIZE C/K LD PICKUPS

C/K 100 (00) w/L83 & (5.3L V-8) – Exhaust Systems



FULL SIZE C/K LD PICKUPS

C/K 100 (00) (6.2L V-8) – Exhaust Systems

