

Full Size C/K HD Pickups and Chassis Cabs

Model Symbol Chart	1
General Information.....	See Light Duty BBM “General Information” section
General Instructions	See Light Duty BBM “General Instructions” section
Camper Loading.....	See Online Order/Ref. Guide–“GM Consumer Info.Truck-Camper Loading”
Pickup Box Removal	See Light Duty BBM “Special Applications – Pickup Box Removal Program” section
Snow Plow Prep. Pkg.....	See Light Duty BBM “Special Applications – Snow Plow Prep Package” section
Trailer Information.	See Light Duty Online Order/Ref. Guide – Light Duty “Trailer Specs”
Model and Option Weights	See Light Duty Online Order/Ref. Guide “Model & Opt. Weights” & “Weight Calculator”

VEHICLE

GENERAL ARRANGEMENT

Regular Cab	3
Double Cab	4
Crew Cab	5
Double Cab	6
Crew Cab	7
Regular Cab Dually.....	8
Regular Cab – Cab Chassis.....	9
Crew Cab – Cab Chassis	10

BODY, EXTERIOR

CARGO WEIGHT DISTRIBUTION

6’9” Box	11
8’ Box.....	12
Chassis Cab	13

BODY GENERAL ARRANGEMENT

C/K 20/30 (903), Crew Cab 8’ Box.....	14
C/K 20753 Double Cab 6’ 9” Box.....	15
C/K 20/30 (953), Double Cab 8’ Box	16
C/K 20/30 (743), Crew Cab 6’ 9” Box.....	17
C/K 20/30 (943), Crew Cab 8’ Box.....	18
C/K 30903, Regular Cab 8’ Box DRW	19
C/K 30953, Double Cab 8’ Box DRW	20
C/K 30943, Crew Cab 8’ Box DRW	21

Full Size C/K HD Pickups and Chassis Cabs

BODY, EXTERIOR – *continued*

FRONT END CLIPS

C/K 20/30 (03/53/43) 22

HOOD OPENING

C/K 20/30 (03/53/43) 23

SIGN AREA

Regular Cab Pickup – C/K100/200/300 (03) 24

Extended Cab Pickup – C/K100/200/300 (53) 25

Crew Cab Pickup – C/K 100/200/300 (43) 26

CAB STEP IN HEIGHTS

Regular Cab (03) 27

Extended Cab (53) 28

Crew Cab (43) 29

MIRRORS, OUTSIDE REARVIEW

C/K 2000 / 3000 Base D31/DLF & Opt. Trailering DUD,DBG,DWI,DZC Mirrors, Outside Rear-view..... 30

CHMSL AND ANTENNA

CHMSL and Antenna 31

CAB PRESSURE VALVE ASSEMBLY

Rear Quarter Body Panel 32

PICKUP BOX

Length and Width Dimension for Pickup Box – Al 33

CAB INTERIOR

SEATING POSITION AND H-POINT 1ST ROW FRONT VIEW PICKUPS

C/K 200/300 (03/53/43) 34

C/K 200/300 (03/53/43) 35

Full Size C/K HD Pickups and Chassis Cabs

CAB INTERIOR –*continued*

SEATING POSITION AND H-POINT SIDE VIEW PICKUPS

C/K 200/300 (03/53/43) 36

SEAT MOUNTING HOLES LOCATIONS – FLOOR

C/K 200/300 (03/53/43) 37

CHASSIS

DATUM HOLE LOCATION

C/K 200/300 (00)..... 38

FRAME RAIL AND CROSSMEMBER LOCATIONS

C/K 20/30743 39

C/K 20/30903 40

C/K 20/30753 41

C/K 20/30953 42

C/K 20/30743 43

C/K 20/30943 44

C/K 31003 45

C/K 31403 46

C/K 31043 47

SPARE TIRE LOCATION

C/K 20/3000 Series Pickups 48

PLATFORM HITCH

C/K 20/30 (03/53/43) Platform Hitch/GCWR 49

FRONT AXLE/TIRE DATA DRAWING

C/K 20/30(000) Pickups and C/K 31 (000) Chassis-Cab 50

C/K 20/30(000) Pickups and C/K 31 (000) Chassis-Cab 51

REAR AXLE/TIRE DATA DRAWING

C/K 20/30(000) Pickups..... 52

C/K 31(000) Chassis Cab 53

C/K 20/30(000) Pickups & Chassis Cab 54

Full Size C/K HD Pickups and Chassis Cabs

CHASSIS – *continued*

FUEL TANK & FILLER LOCATION

Fuel Tank (NM2) & Filler Location C/K 20/30903 L8T (Gas) Pickup.....	55
DEF – Fuel Tanks (NM2) & Filler Location C/K 20/30903 L5P (Diesel) Pickup	56
Fuel Tanks (NM2) & Filler Locations C/K 20/30743-53 L8T (Gas) Pickup.....	57
DEF – Fuel Tanks (NM2) & Filler Locations C/K 20/30743-53 L5P (Diesel) Pickup.....	58
Fuel Tank (N2N) & Filler Locations C/K 31003/043 L8T (Gas) Chassis Cab	59
DEF – Fuel Tank (N2N) & Filler Locations C/K 31003/043 L5P (Diesel) Chassis Cab	60
Fuel Tank (N2N) & Fuel Filler Locations C/K 31403 L8T (Gas) Chassis Cab	61
DEF – Fuel Tank (N2N) & Fuel Filler Locations C/K 31403 L5P (Diesel) Chassis Cab	62

EXHAUST SYSTEM

L8T (Gas) C/K 20/30 Series Pickups.....	63
L5P (Diesel) C/K 20/30 Series Pickups.....	64
L8T (Gas) C/K 20/30 Series (ZW9) Pickups.....	65
L5P (Diesel) C/K 20/30 Series (ZW9) Pickups.....	66
L8T (Gas) C/K 31003 Series Chassis Cab	67
L5P (Diesel) C/K 31003 Series Chassis Cab	68
L8T (Gas) C/K 31403 Series Chassis Cab	69
L5P (Diesel) C/K 31403 Series Chassis Cab	70
L8T (Gas) C/K 31403 Series Chassis Cab	71
L5P (Diesel) C/K 31403 Series Chassis Cab	72

MISC.

Integrated – PTO 20/30 Series (MGU) Pickups & Chassis Cab	73
---	----

Full Size C/K HD Pickups and Chassis Cabs

Model Symbol Chart

ENGINEERING MODEL	REGULAR CABS (03) 2 DOOR CHEVROLET / GMC		DOUBLE CABS (53) 4 DOOR CHEVROLET / GMC		CREW CABS (43) 4 DOOR CHEVROLET / GMC		GVWR (kg/lbs) GAS (L8T)	GVWR (kg/lbs) DIESEL (L5P)	WHEELBASE (mm/in)	CAB-TO-AXLE (mm/in)
C207-SRW			E63, 6.9" BOX				4491/9,900- 4649/10,250	4491/9,900- 4944/10,900	3795/149.4	1070.0/42.1
					E63, 6.9" BOX		4491/9,900- 4695/10,350	4491/9,900- 5012/11,050	4036/158.9	1070.0/42.1
C209-SRW	E63, 8.0" BOX	ZW9					4491/9,900- 4604/10,150	4491/9,900- 4876/10,750	3594/141.5	1403.0/55.2
			E63, 8.0" BOX	ZW9			4491/9,900- 4717/10,400	4491/9,900- 5035/11,100	4128/162.5	1403.0/55.2
C209 - ZW9					E63, 8.0" BOX	ZW9	4491/9,900- 4763/10,500	4491/9,900- 5080/11,200	4369/172	1403.0/55.2
C307-SRW					E63, 6.9" BOX		4990/11,000	5330/11,750	4061/158.9	1070.0/42.1
C309-SRW	E63,8.0"BOX	ZW9					4876/10,750	5216/11,500	3594/141.5	1403.0/55.2
			E63, 8.0" BOX	ZW9			5035/11,100	5375/11,850	4128/162.5	1403.0/55.2
C309 - ZW9					E63, 8.0" BOX	ZW9	5058/11,150	5398/11,900	4369/172	1403.0/55.2
C309-DRW	E63,8.0"BOX	ZW9					6350/14,000	6350/14,000	3594/141.5	1403.0/55.2
			E63, 8.0" BOX	ZW9			6350/14,000	6350/14,000	4128/162.5	1403.0/55.2
C309 - ZW9					E63, 8.0" BOX	ZW9	6350/14,000	6350/14,000	4369/172	1403.0/55.2
C310-DRW		ZW9		N/A			6350/14,000	6350/14,000	3716/146.3	1524.0/60.0
				N/A		ZW9	6350/14,000	6350/14,000	4490/176.8	1524.0/60.0
C314-DRW		ZW9		N/A			6350/14,000	6350/14,000	4338/170.8	2146.0/84.5

E63 – Fleetside / Wideside Box (5' 8", 6.9' and 8' Boxes)

ZW9 – ChassisCab & Pickups w/Factory Box Delete ('Box Removal' APPROVED- See "Special Applications")

EXAMPLE: C20903 = 2 DOOR REGULAR CAB / FLEETSIDE/WIDESIDE / 8' BOX

Full Size C/K HD Pickups and Chassis Cabs

Model Symbol Chart (continued)

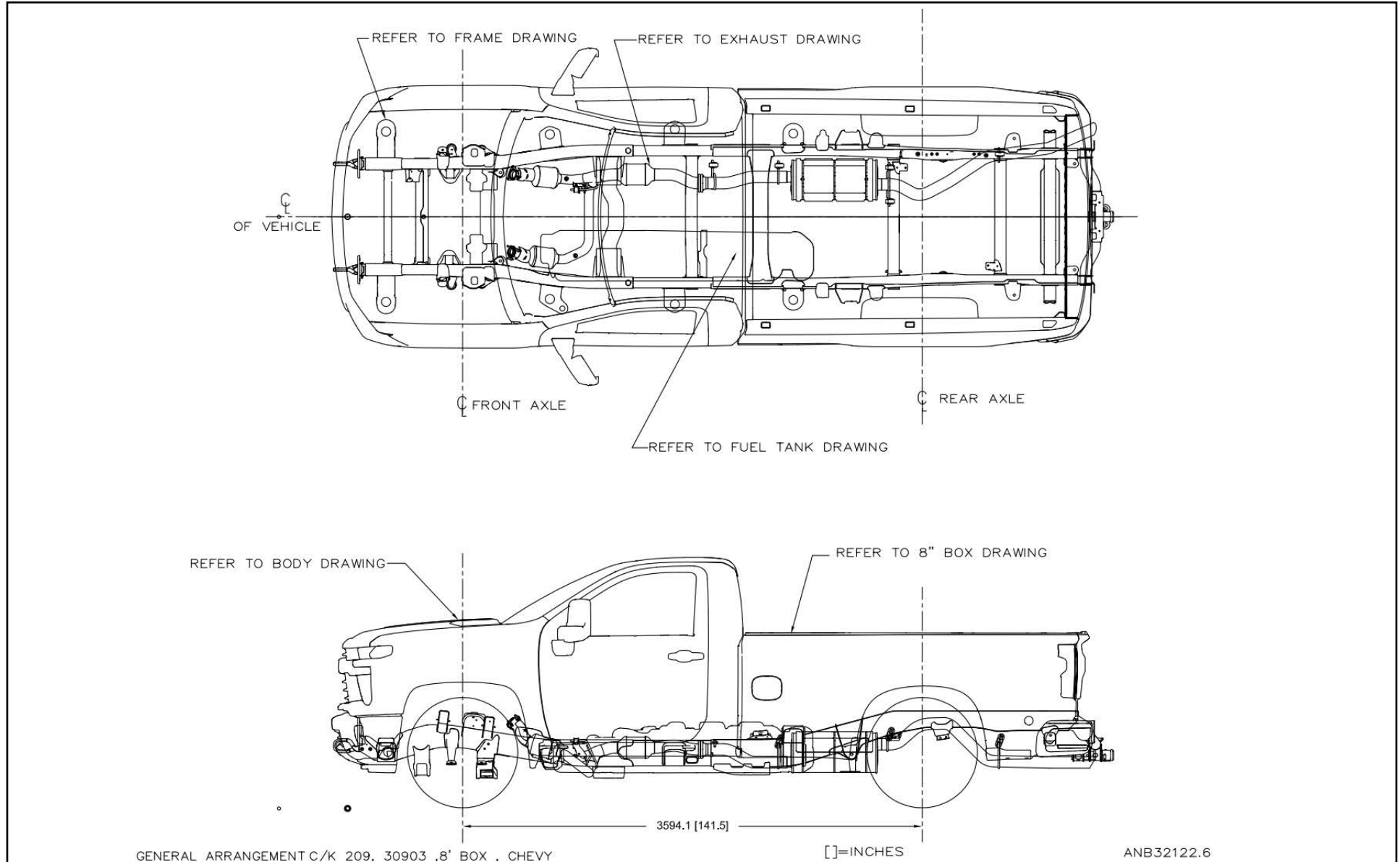
ENGINEERING MODEL	REGULAR CABS (03) 2 DOOR CHEVROLET / GMC		DOUBLE CABS (53) 4 DOOR CHEVROLET / GMC		CREW CABS (43) 4 DOOR CHEVROLET / GMC		GVWR (kg/lbs) GAS (L8T)	GVWR (kg/lbs) DIESEL (L5P)	WHEELBASE (mm/in)	CAB-TO-AXLE (mm/in)
	K207-SRW			E63, 6.9" BOX				4491/9900-4785/10,550	4491/9900-5080/11,200	3795/149.4
					E63, 6.9" BOX		4491/9900-4831/10,650	4491/9900-5103/11,250	4036/158.9	1070.0/42.1
K209-SRW	E63, 8.0" BOX	ZW9					4491/9900-4740/10,450	4491/9900-5035/11,100	3594/141.5	1403.0/55.2
K209 - ZW9			E63, 8.0" BOX	ZW9			4491/9900-4876/10,750	4491/9900-5194/11,450	4128/162.5	1403.0/55.2
					E63, 8.0" BOX	ZW9	4491/9900-4921/10,850	4491/9900-5239/11,550	4369/172	1403.0/55.2
K307-SRW					E63, 6.9" BOX		5148/11,350	5488/12,100	4061/158.9	1070.0/42.1
	E63, 8.0" BOX	ZW9					5035/11,100	5352/11,800	3594/141.5	1403.0/55.2
K309-SRW			E63, 8.0" BOX	ZW9			5171/11,400	5511/12,150	4128/162.5	1403.0/55.2
K309 - ZW9										
					E63, 8.0" BOX	ZW9	5216/11,500	5557/12,250	4369/172	1403.0/55.2
	E63, 8.0" BOX	ZW9					6350/14,000	6350/14,000	3594/141.5	1403.0/55.2
K309-DRW			E63, 8.0" BOX	ZW9			6350/14,000	6350/14,000	4128/162.5	1403.0/55.2
K309 - ZW9					E63, 8.0" BOX	ZW9	6350/14,000	6350/14,000	4369/172	1403.0/55.2
		ZW9	N/A				6350/14,000	6350/14,000	3716/146.3	1524.0/60.0
K310-DRW				N/A		ZW9	6350/14,000	6350/14,000	4490/176.8	1524.0/60.0
		ZW9	N/A		N/A		6350/14,000	6350/14,000	4338/170.8	2146.0/84.5
K314-DRW										

E63 – Fleetside / Wideside Box (5' 8", 6.9' and 8' Boxes)

ZW9 – Chassis Cab & Pickups w/Factory Box Delete ('Box Removal' APPROVED - See "Special Applications")

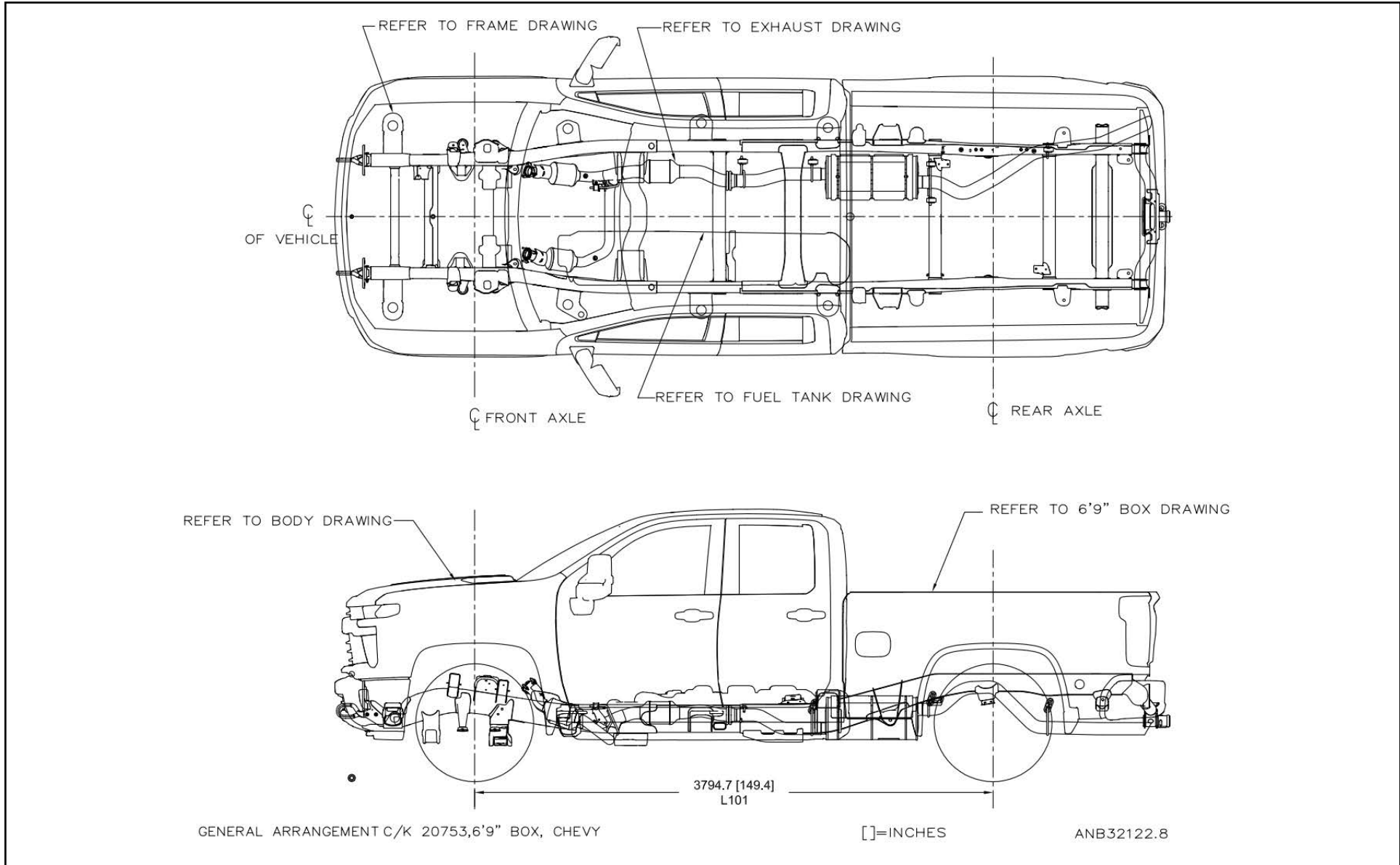
Full Size C/K HD Pickups and Chassis Cabs

Regular Cab – General Arrangement



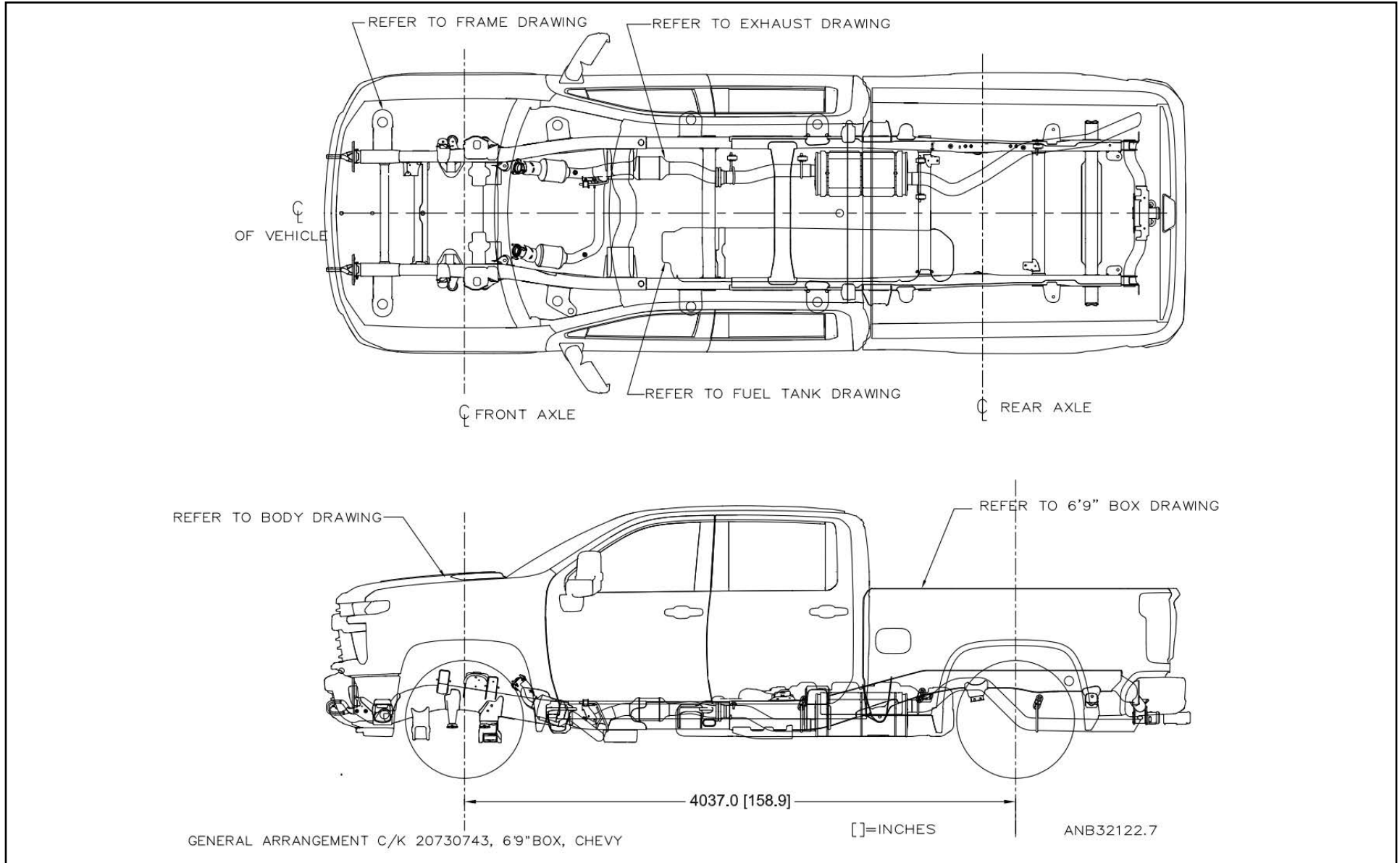
Full Size C/K HD Pickups and Chassis Cabs

Double Cab – General Arrangement



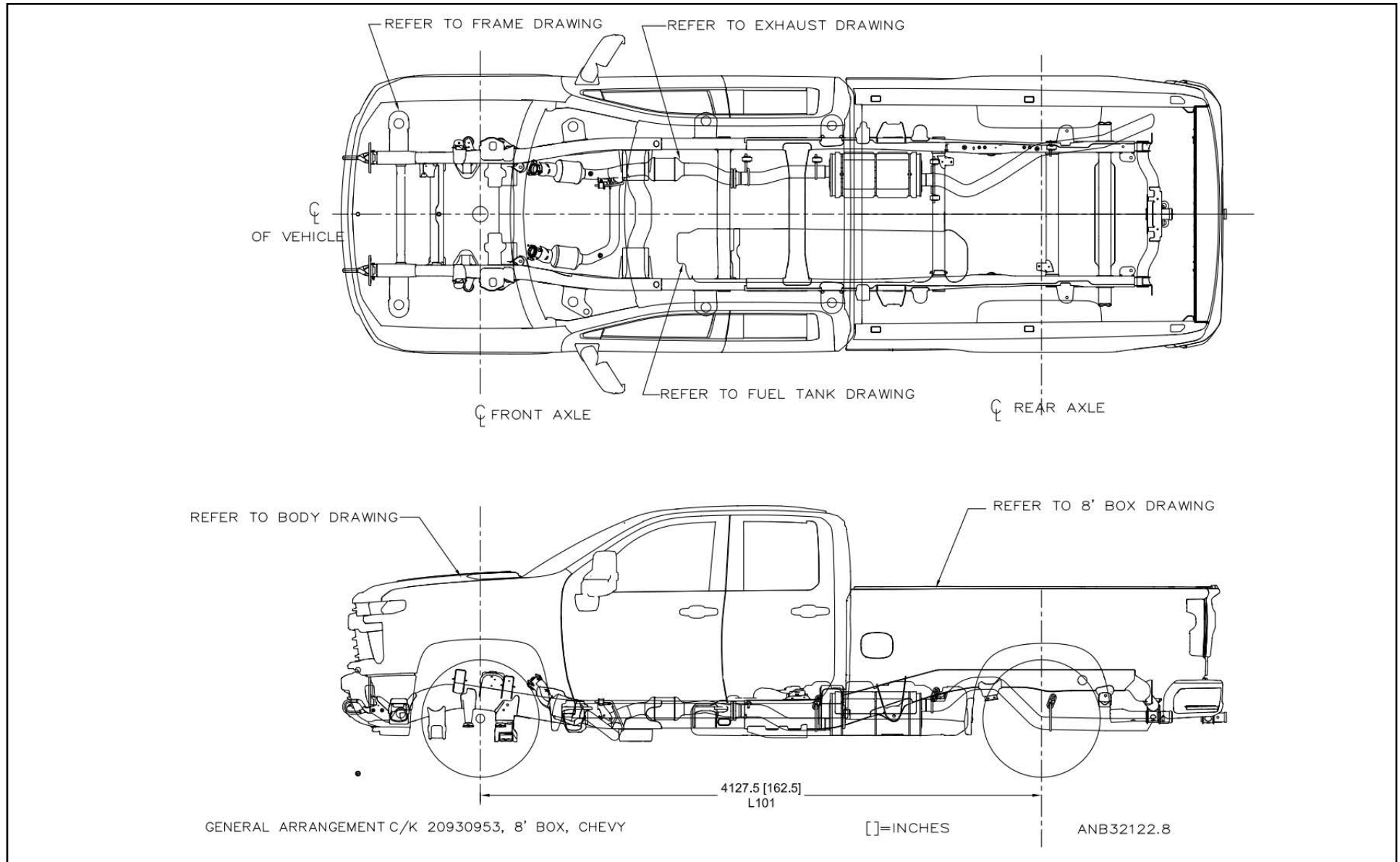
Full Size C/K HD Pickups and Chassis Cabs

Crew Cab – General Arrangement



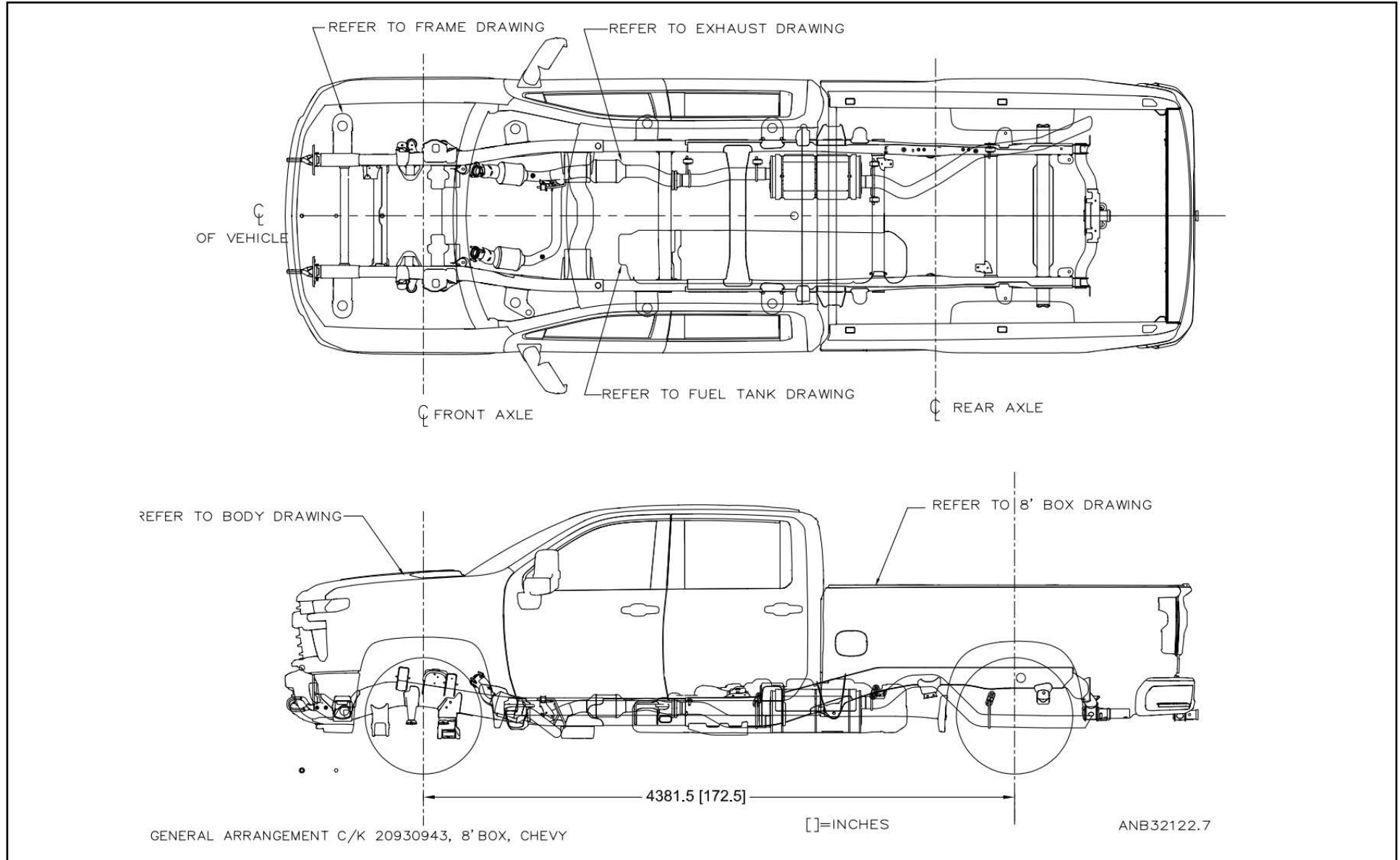
Full Size C/K HD Pickups and Chassis Cabs

Double Cab – General Arrangement



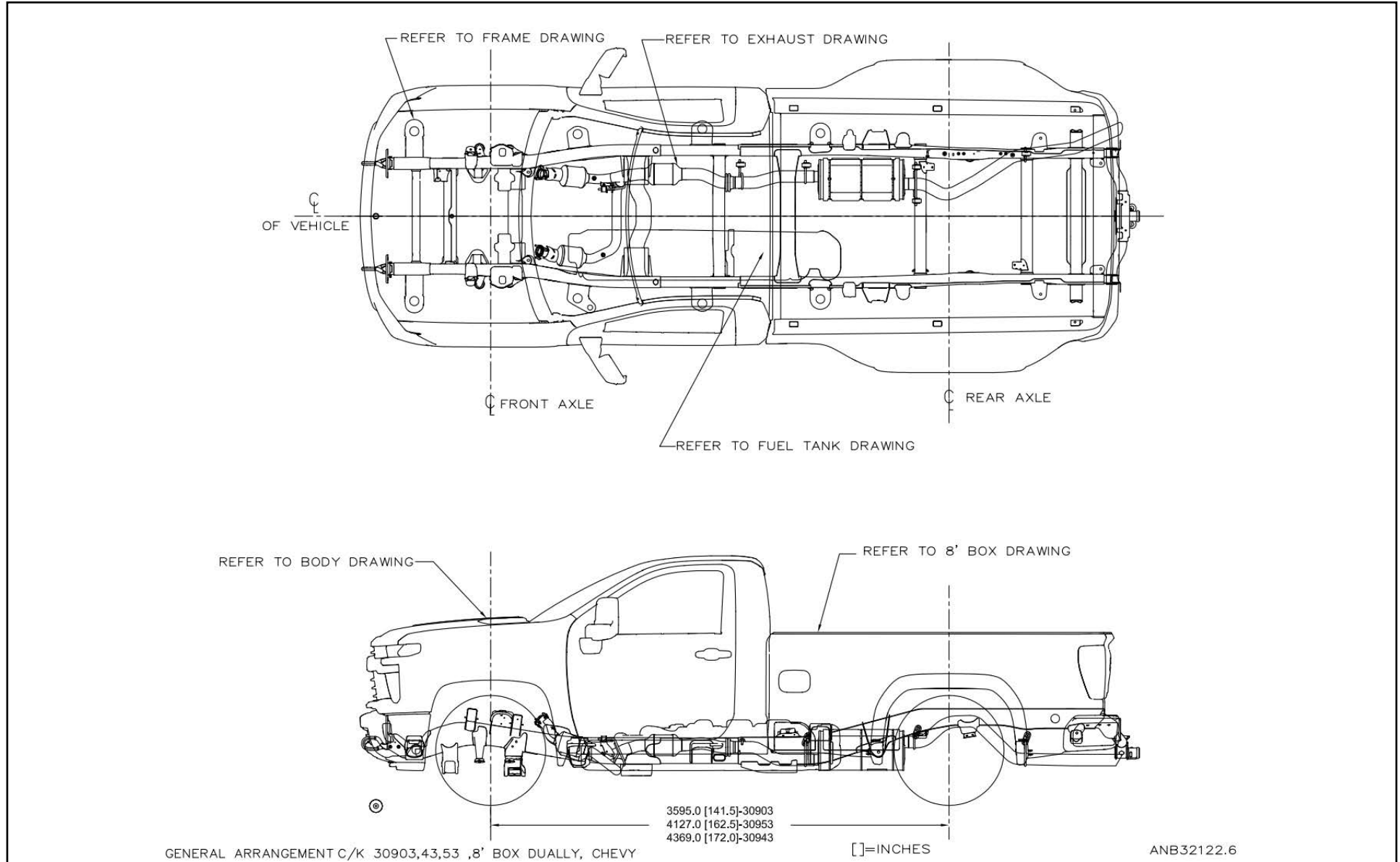
Full Size C/K HD Pickups and Chassis Cabs

Crew Cab – General Arrangement



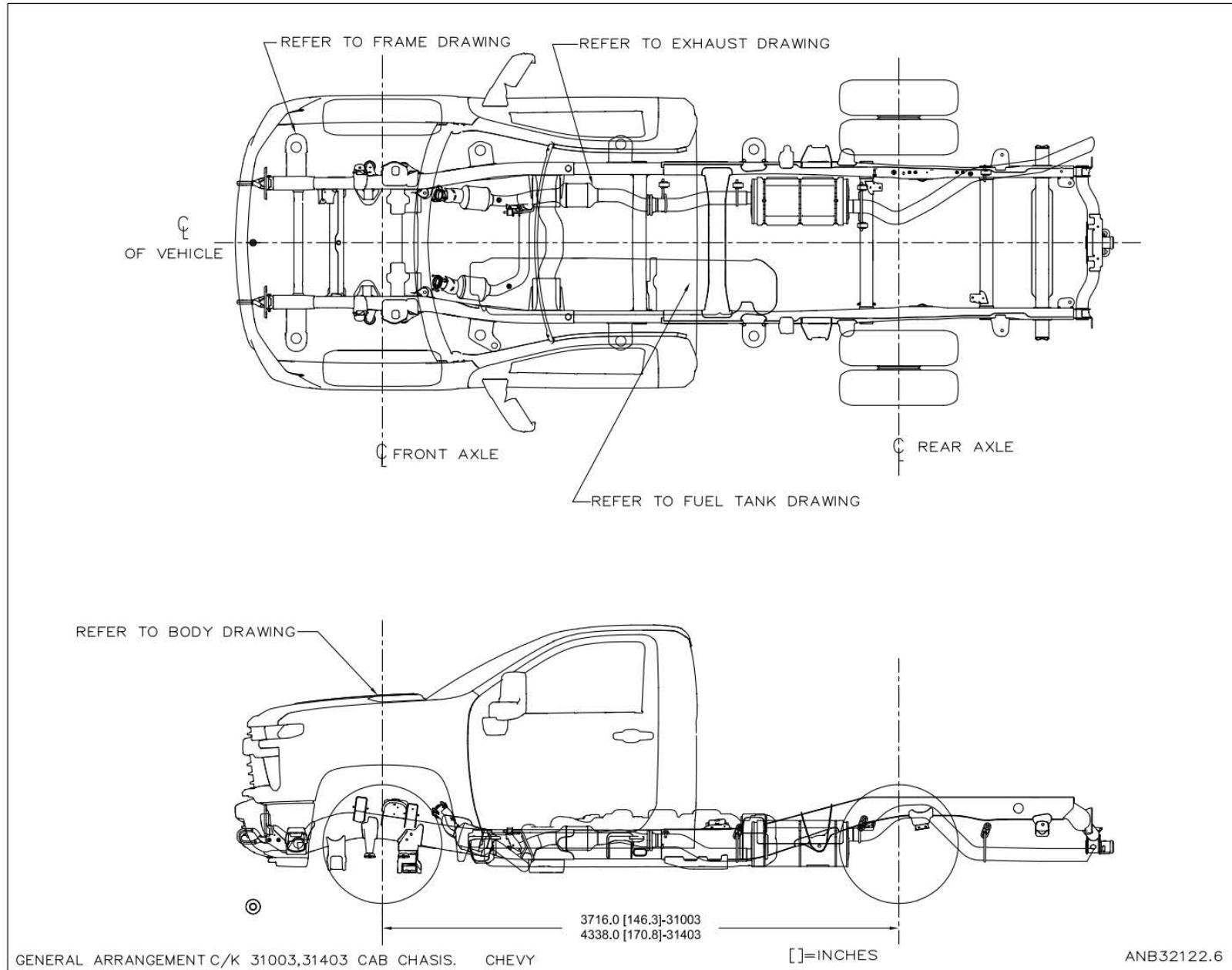
Full Size C/K HD Pickups and Chassis Cabs

Regular Cab Dually – General Arrangement



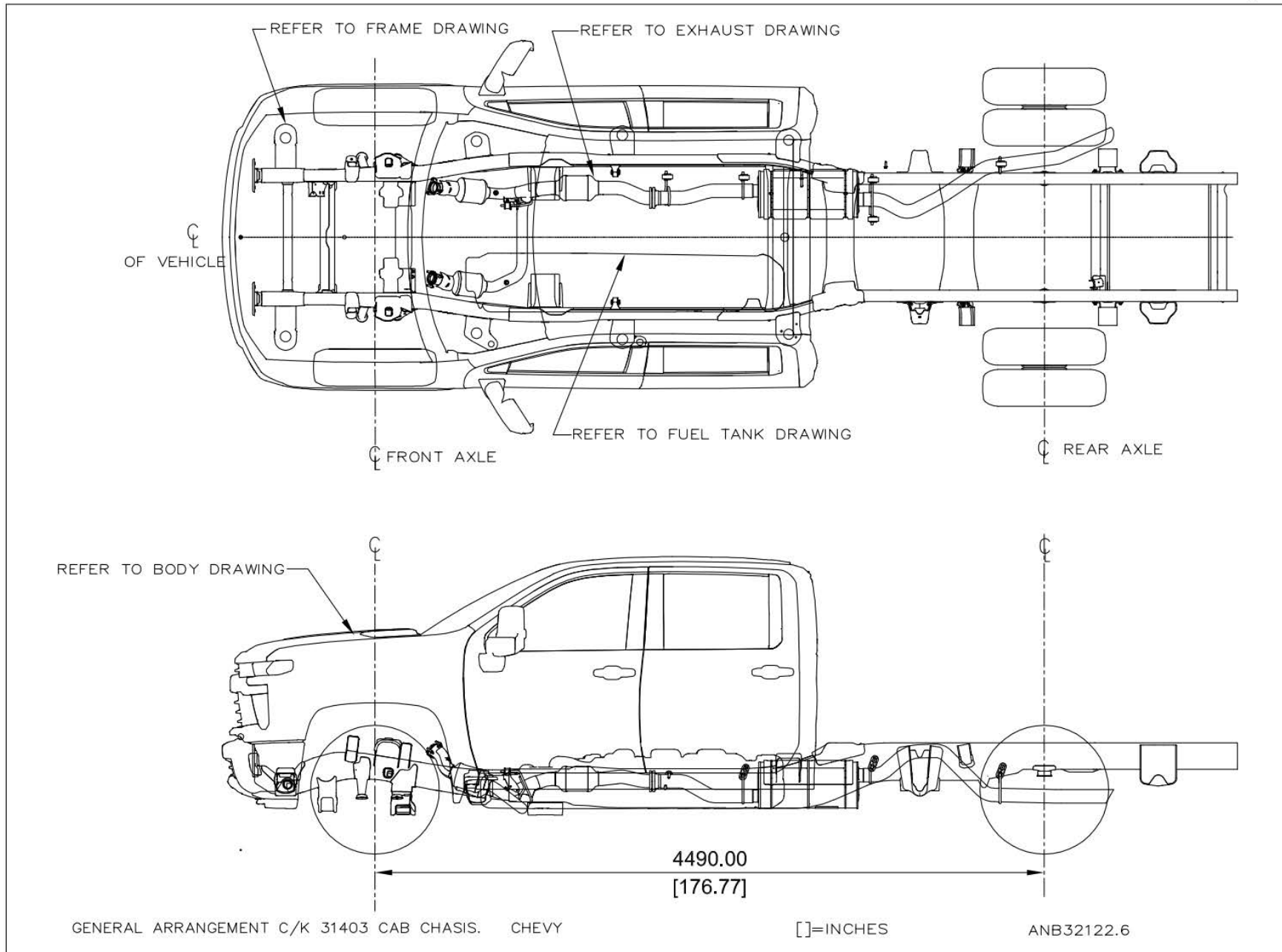
Full Size C/K HD Pickups and Chassis Cabs

Regular Cab – Cab Chassis – General Arrangement



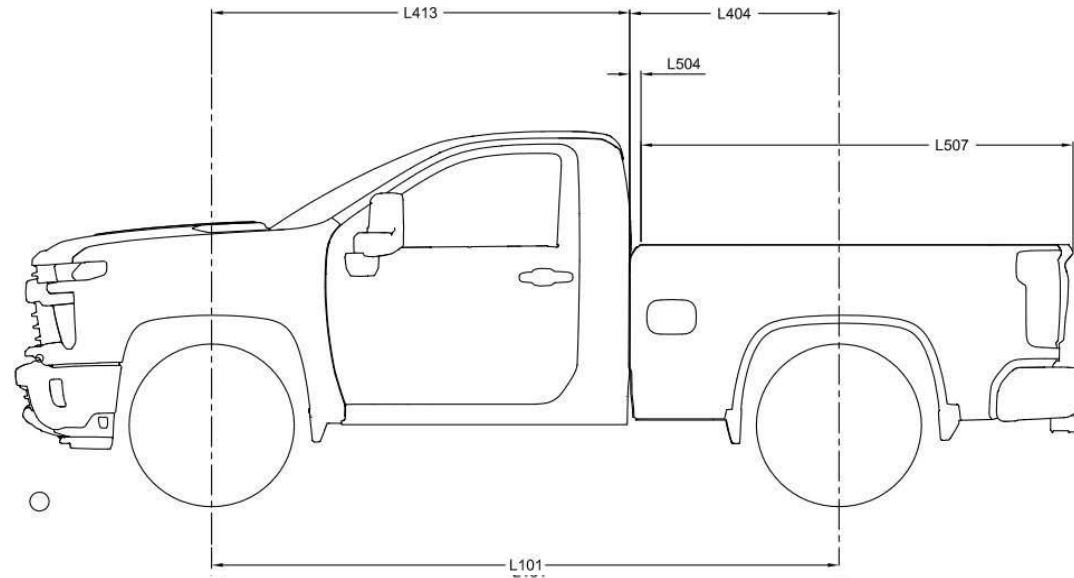
Full Size C/K HD Pickups and Chassis Cabs

Crew Cab – Cab Chassis – General Arrangement



Full Size C/K HD Pickups and Chassis Cabs

Body/Cargo Weight Distribution 6'9" Box



MODEL	L101 (WB)	L404 (CA)	L504(CB)	L507(BL)	BODY / CARGO WEIGHT DISTRIBUTION	
					% FRONT AXLE	% REAR AXLE
CK2520753	3795.0 [149.41"]	1071.0 [42.16"]	25.4 [1.0"]	2333.9 [91.9"]	1	99
CK2030743	4037.0 [158.94"]	1071.0 [42.16"]	25.4 [1.0"]	2333.9 [91.9"]	1	99

$$\frac{\text{CENTER OF GRAVITY OF PAYLOAD TO REAR AXLE.}}{\text{WHEEL BASE}} \times 100 = \% \text{ BODY PAYLOAD AT FRONT AXLE}$$

$$\frac{L404 - L504 - (L507/2)}{L101 (WB)} \times 100 = \% \text{ BODY PAYLOAD AT FRONT AXLE}$$

NOTE:-DIMENSIONS SHOWN ARE NOMINAL.
 L404 = CAB TO REAR AXLE DIMENSION
 L504 = BODY CLEARANCE BETWEEN BODY AND CAB
 L507 = BODY (BOX) LENGTH
 L101 = WHEEL BASE

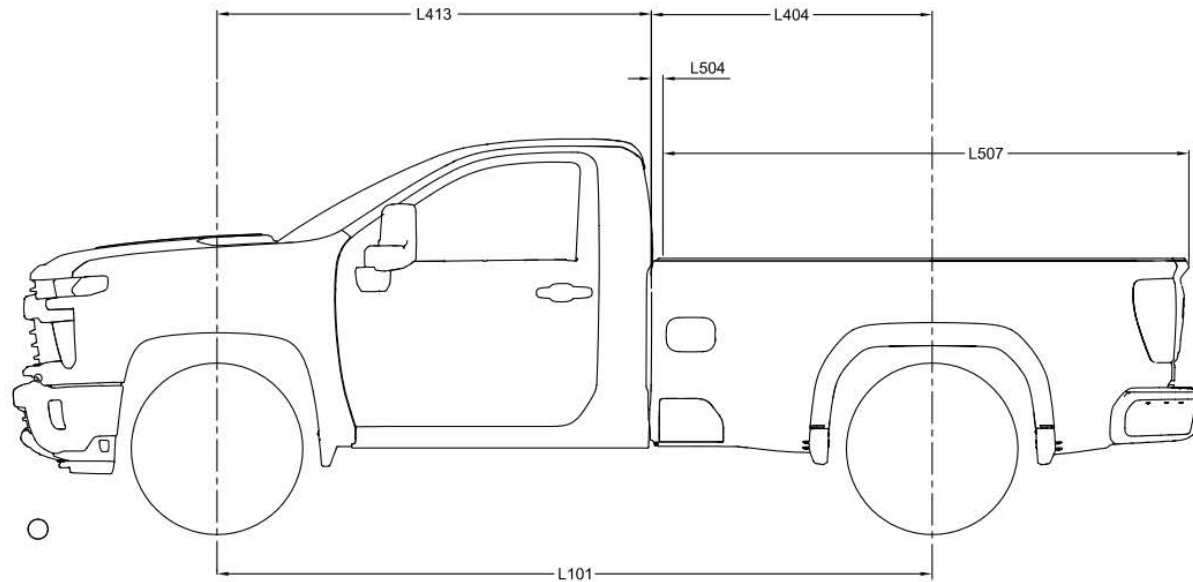
BODY/CARGO WEIGHT DISTRIBUTION CK200/300 03/43/53, 6'9" BOX

[]=INCHES

ANC07766.3

Full Size C/K HD Pickups and Chassis Cabs

Body/Cargo Weight Distribution 8' Box



MODEL	L101 (WB)	L404 (CA)	L504(CB)	L507(BL)	BODY / CARGO WEIGHT DISTRIBUTION	
					% FRONT AXLE	% REAR AXLE
CK20903 CK30903	3595.0 [141.53"]	1403.0 [55.24"]	25.4 [1.0"]	2740.9 [107.91"]	03	97
CK20943 CK30943	4369.0 [172.00"]	1403.0 [55.24"]	25.4 [1.0"]	2740.9 [107.91"]	03	97
CK20953 CK30953	4127.0 [162.48"]	1403.0 [55.24"]	25.4 [1.0"]	2740.9 [107.91"]	03	97

$$\frac{\text{CENTER OF GRAVITY OF PAYLOAD TO REAR AXLE.}}{\text{WHEEL BASE}} \times 100 = \% \text{ BODY PAYLOAD AT FRONT AXLE}$$

$$\frac{L404 - L504 - (L507/2)}{L101 (WB)} \times 100 = \% \text{ BODY PAYLOAD AT FRONT AXLE}$$

NOTE:-DIMENSIONS SHOWN ARE NOMINAL.
 L404 = CAB TO REAR AXLE DIMENSION
 L504 = CLEARANCE BETWEEN BODY AND CAB
 L507 = LENGTH
 L101 = WHEEL BASE

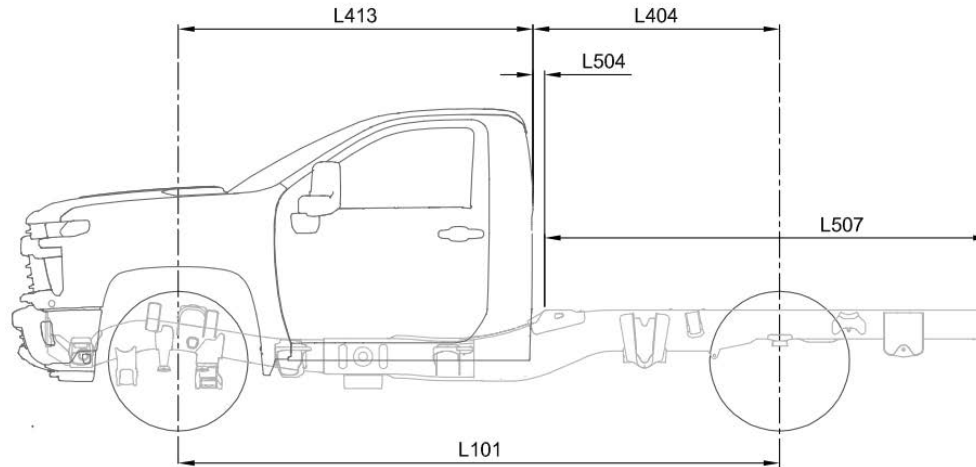
BODY/CARGO WEIGHT DISTRIBUTION CK200/300 03/43/53, 8'BOX

[]=INCHES

ANC07766.5

Full Size C/K HD Pickups and Chassis Cabs

Body/Cargo Weight Distribution Chassis Cab



BODY PAYLOAD DISTRIBUTION % FRONT / REAR									
BODY LENGTH-FEET									
MODEL	L101(WB)	L404(CA)	L504(CB)	8	9	10	11	12	13
CK 3003	3716.0 [146.29"]	1524.0 [60.00"]	76.2 [3.0"]	7/93	2/98				
CK 3043	4490.0 [176.77"]	1524.0 [60.00"]	76.2 [3.0"]	6/94	2/98				
CK 3403	4338.0 [170.78"]	2146.0 [84.49"]	76.2 [3.0"]	21/79	17/83	14/86	10/90	6/94	2/98
WITH 24 INCH COMPARTMENT CAB									
CK 3003	3716.0 [146.29"]	1524.0 [60.00"]	76.2 [3.0"]	6/94	1/99				
CK 3043	4490.0 [176.77"]	1524.0 [60.00"]	76.2 [3.0"]	5/95	1/99				
CK 3403	4338.0 [170.78"]	2146.0 [84.49"]	76.2 [3.0"]	20/80	16/84	12/88	9/91	5/95	1/99

$$\frac{\text{CENTER OF GRAVITY OF PAYLOAD TO REAR AXLE}}{\text{WHEEL BASE}} \times 100 = \% \text{ BODY PAYLOAD AT FRONT AXLE}$$

$$\frac{L404 - L504 - (L507/2)}{L101 (WB)} \times 100 = \% \text{ BODY PAYLOAD AT FRONT AXLE}$$

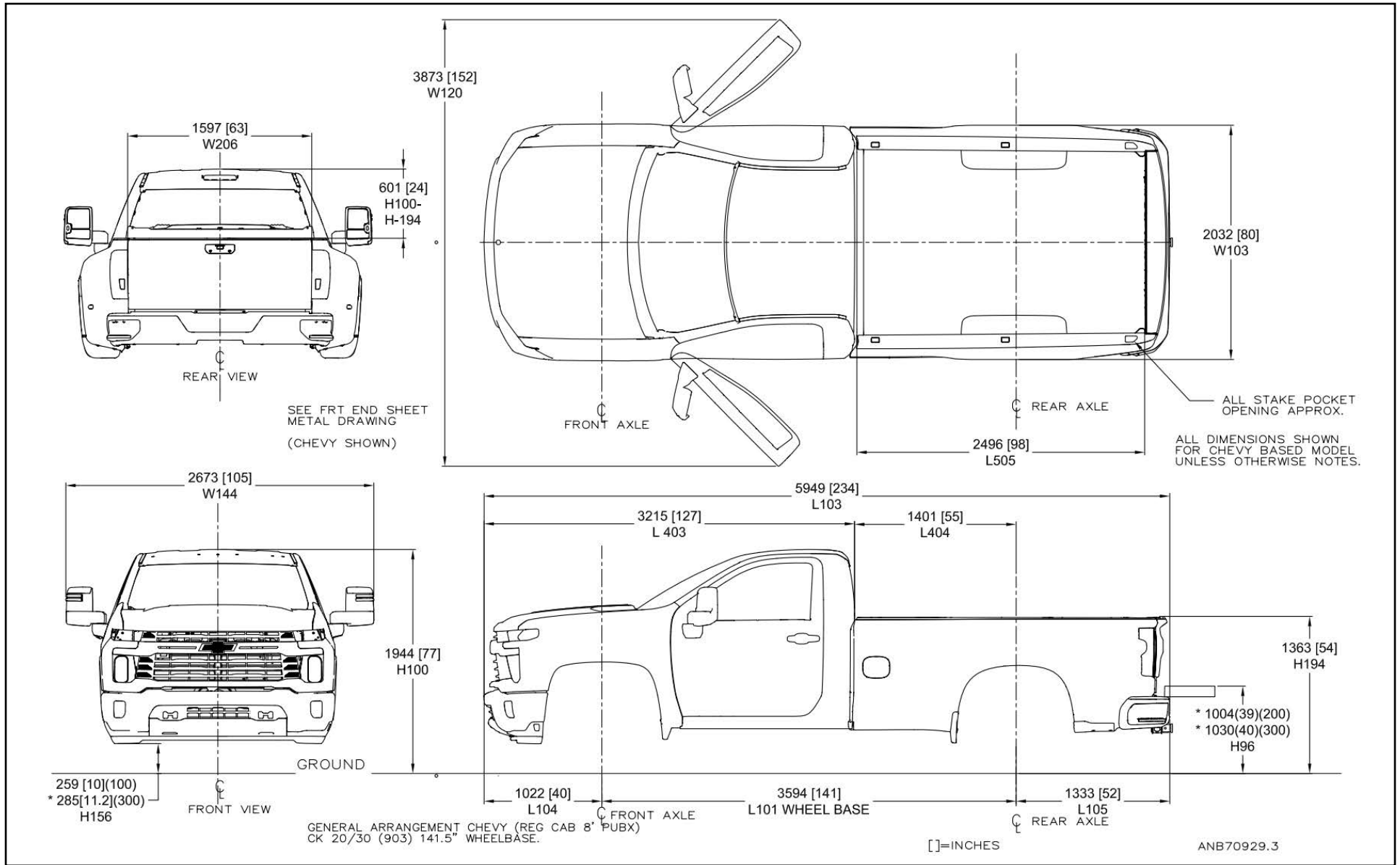
NOTE--DIMENSIONS SHOWN ARE NOMINAL.
 L404 = CAB TO REAR AXLE DIMENSION
 L504 = CLEARANCE BETWEEN BODY AND CAB
 L507 = LENGTH
 L101 = WHEEL BASE

BODY/CARGO WEIGHT DISTRIBUTION CK 3403 03 / 53, CHASSIS CAB

[]=INCHES

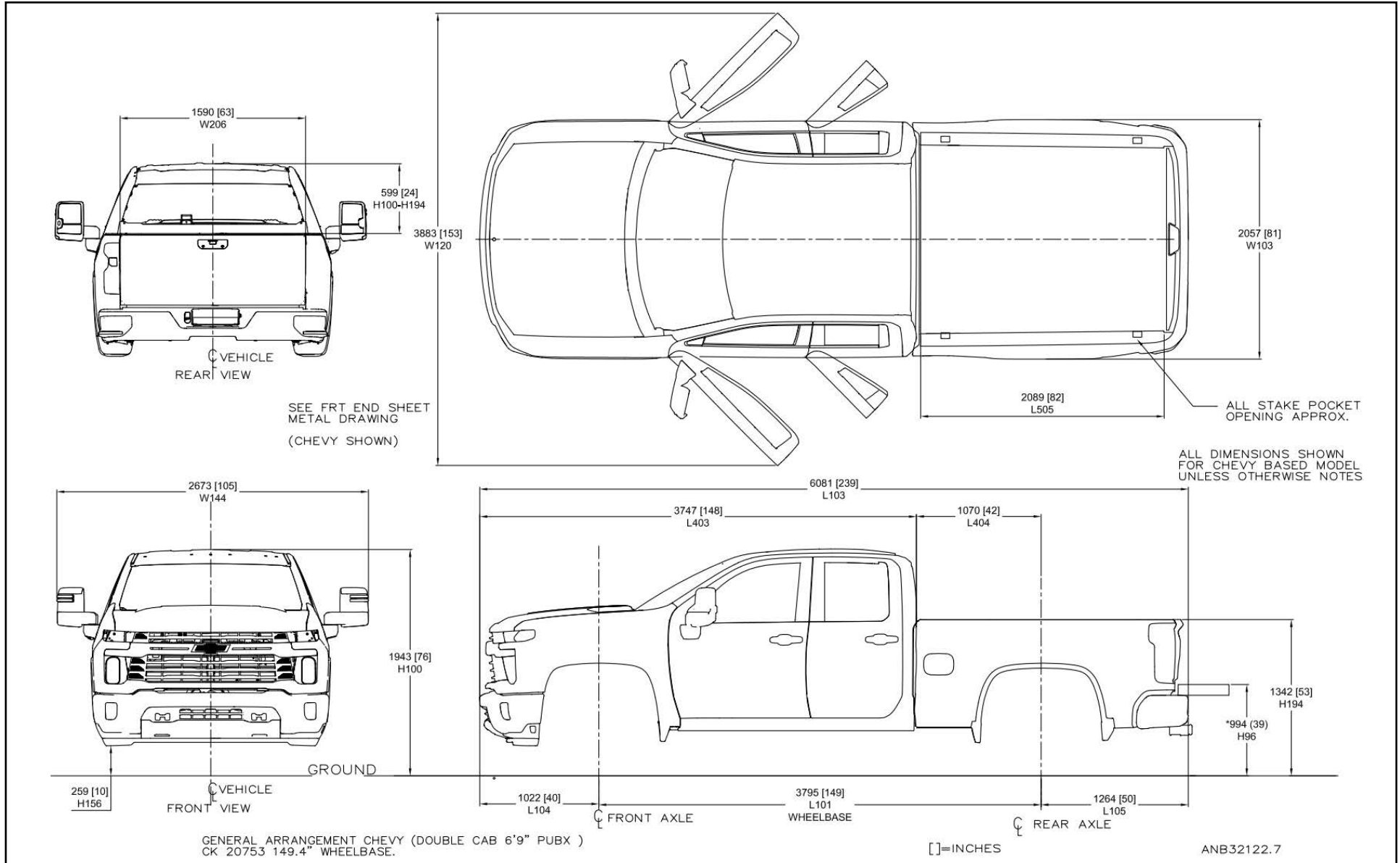
ANCO7766.6

C/K 20/30 (903), Regular Cab 8' Box – Body General Arrangement



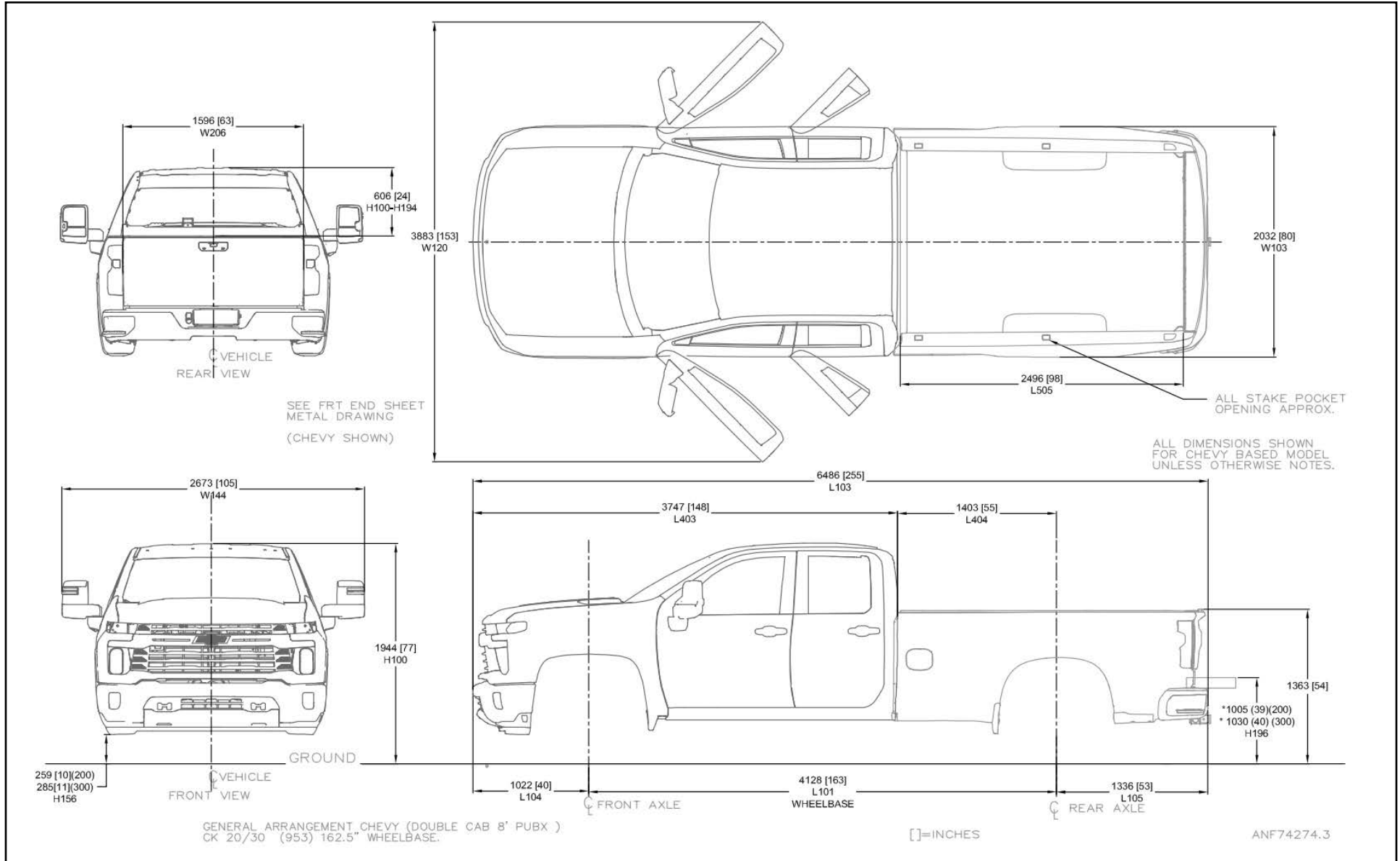
Full Size C/K HD Pickups and Chassis Cabs

C/K 20753 Double Cab 6' 9" Box – Body General Arrangement



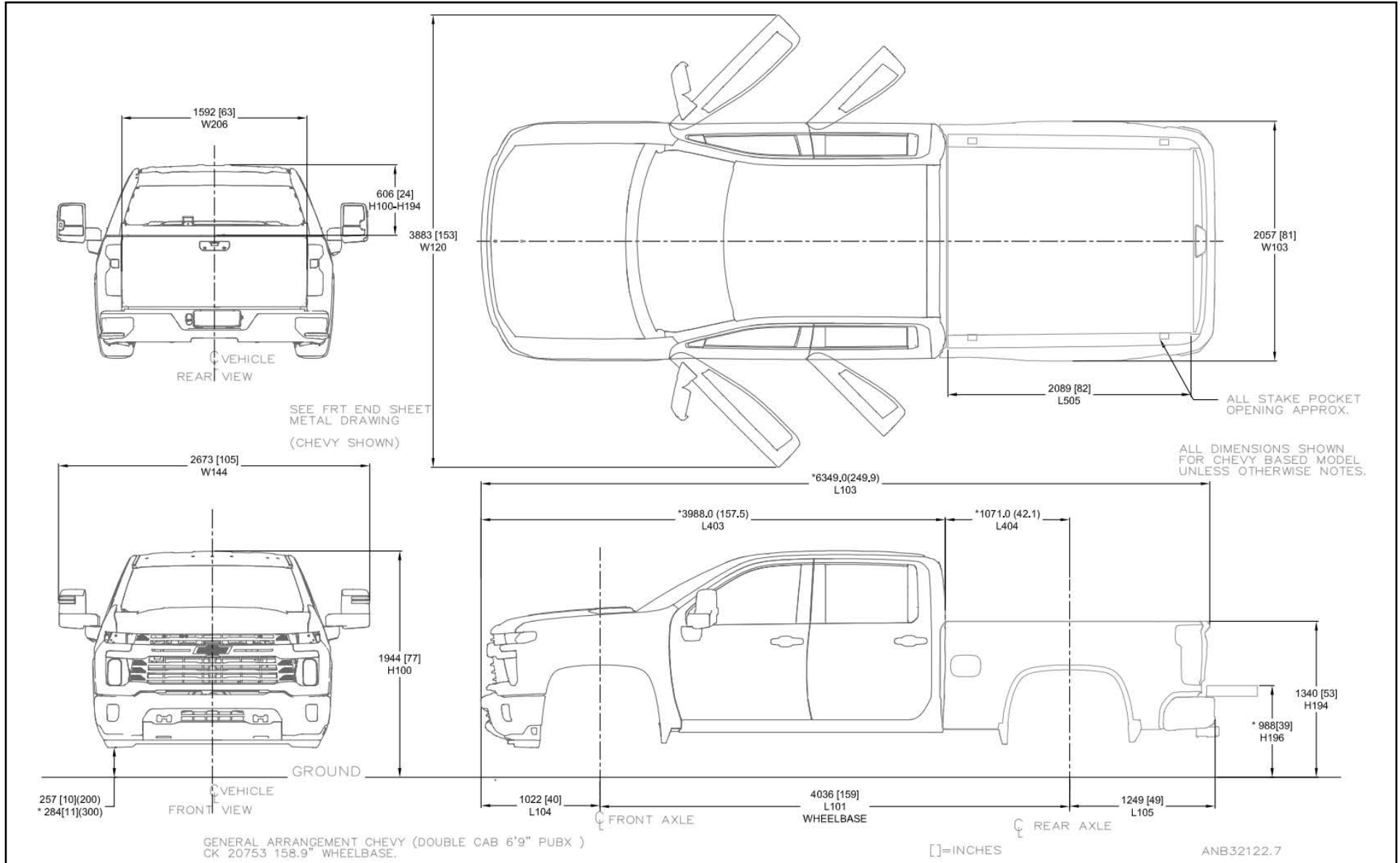
Full Size C/K HD Pickups and Chassis Cabs

C/K 20/30 (953), Double Cab 8' Box – Body General Arrangement



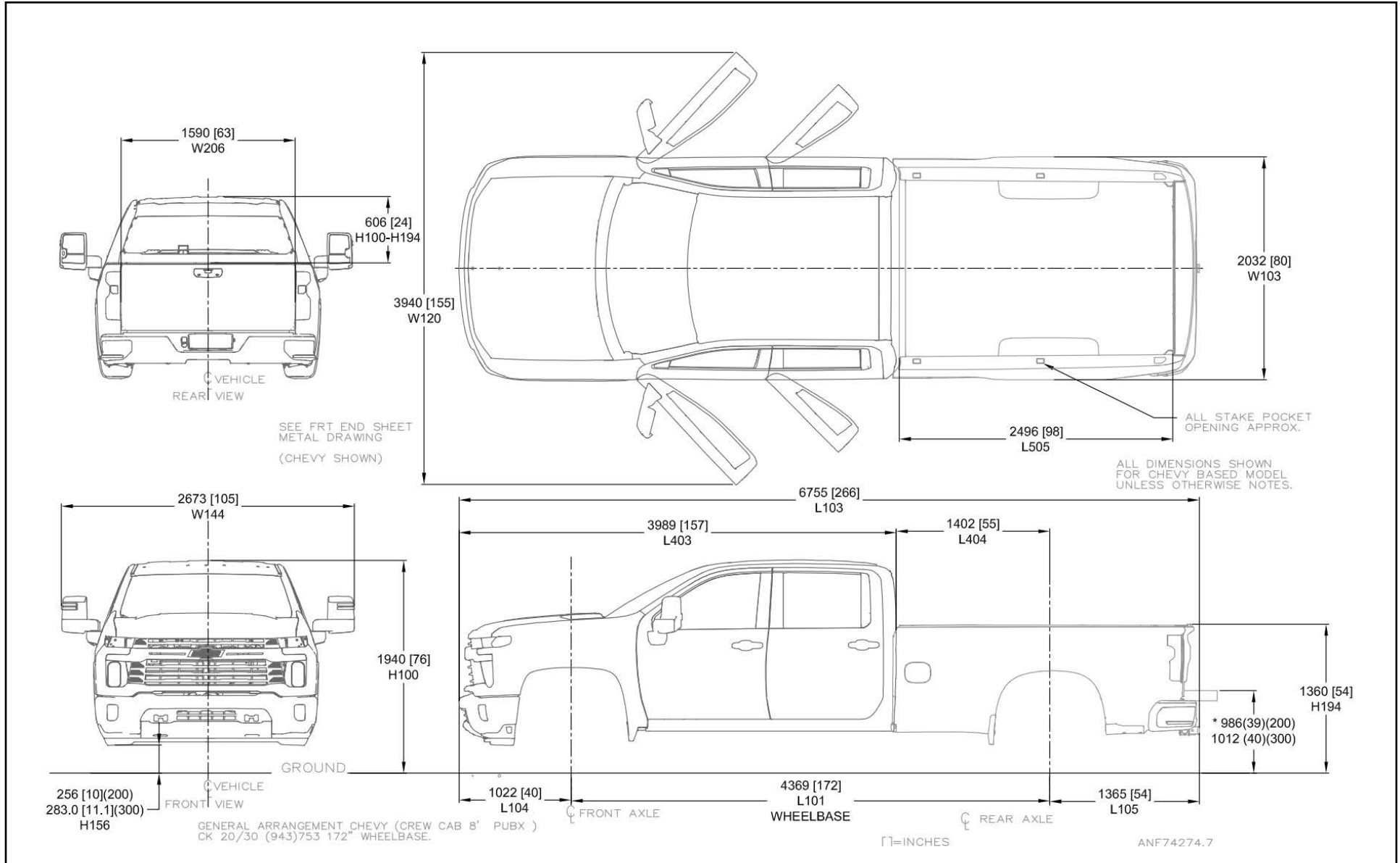
Full Size C/K HD Pickups and Chassis Cabs

C/K 20/30 (743), Crew Cab 6' 9" Box – Body General Arrangement



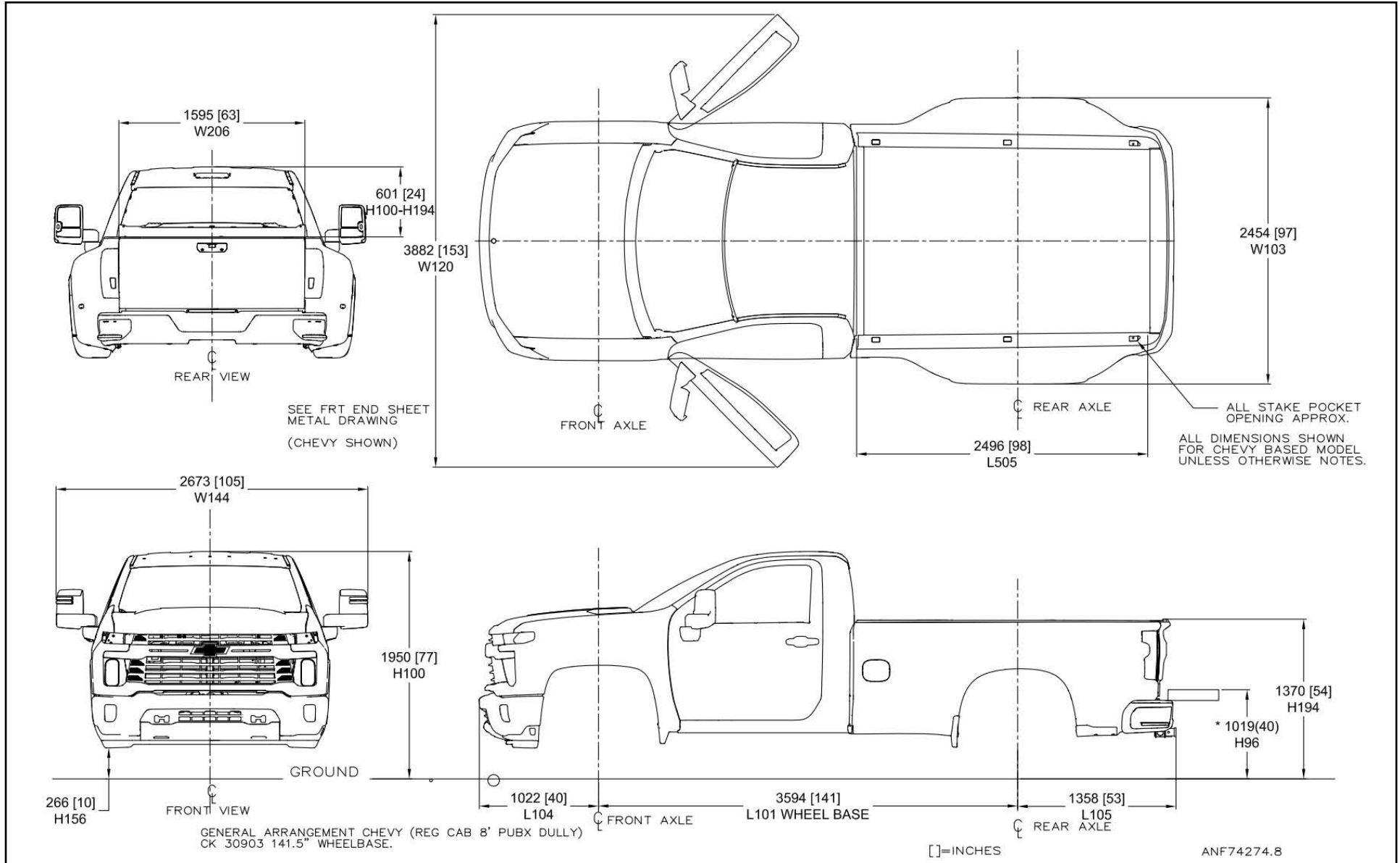
Full Size C/K HD Pickups and Chassis Cabs

C/K 20/30 (943), Crew Cab 8' Box – Body General Arrangement



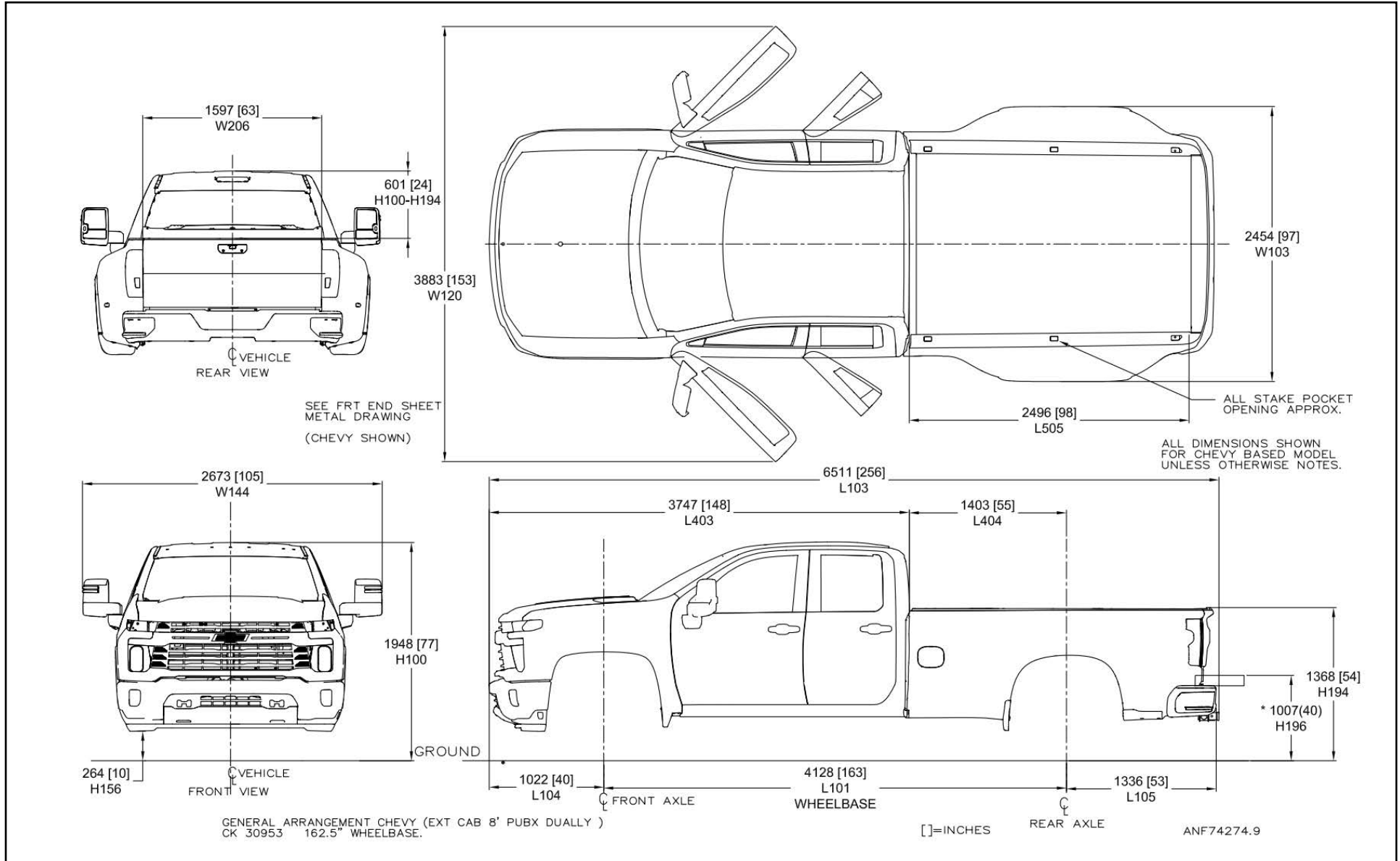
Full Size C/K HD Pickups and Chassis Cabs

C/K 30903, Regular Cab 8' Box DRW – Body General Arrangement



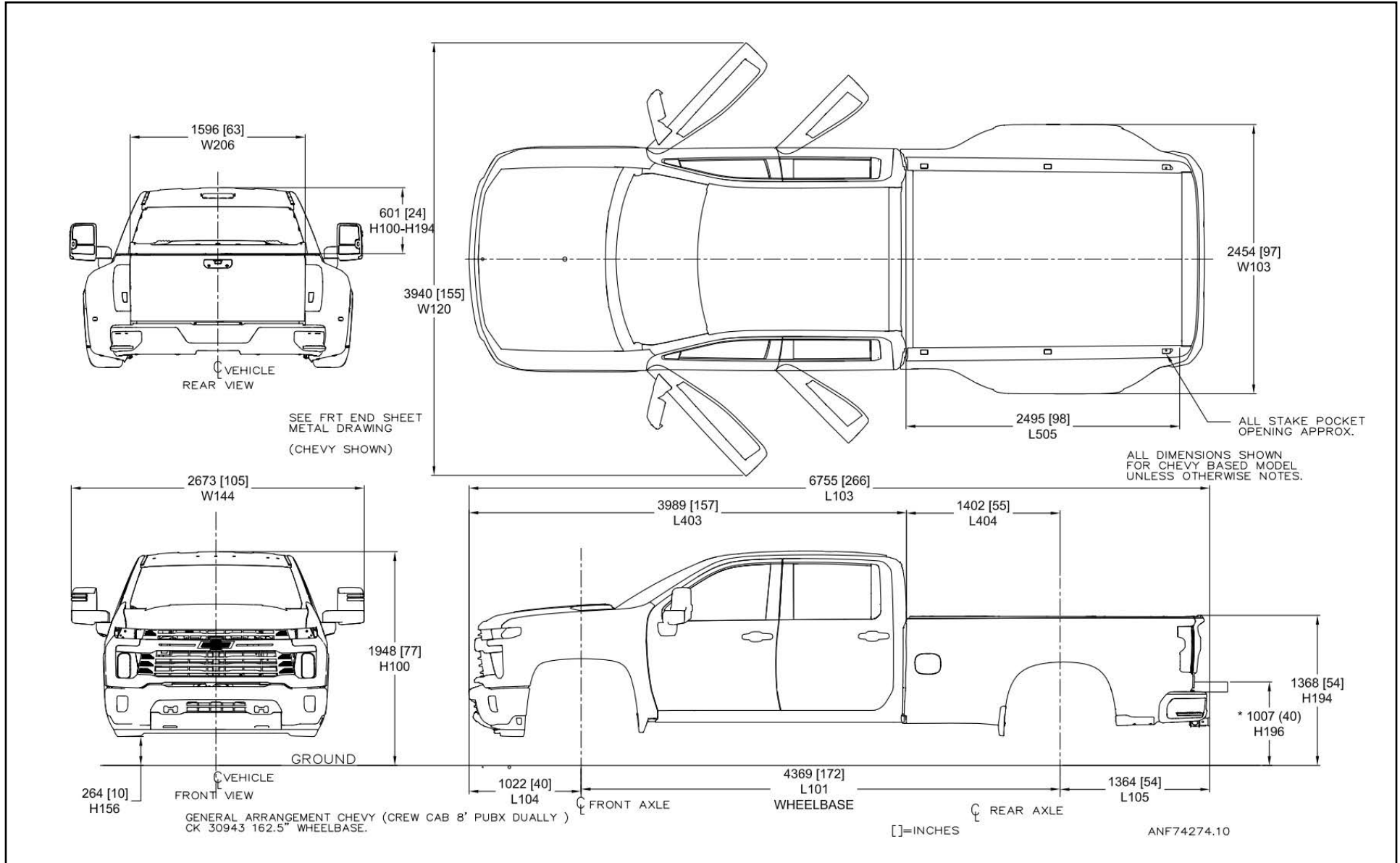
Full Size C/K HD Pickups and Chassis Cabs

C/K 30953, Double Cab 8' Box DRW – Body General Arrangement



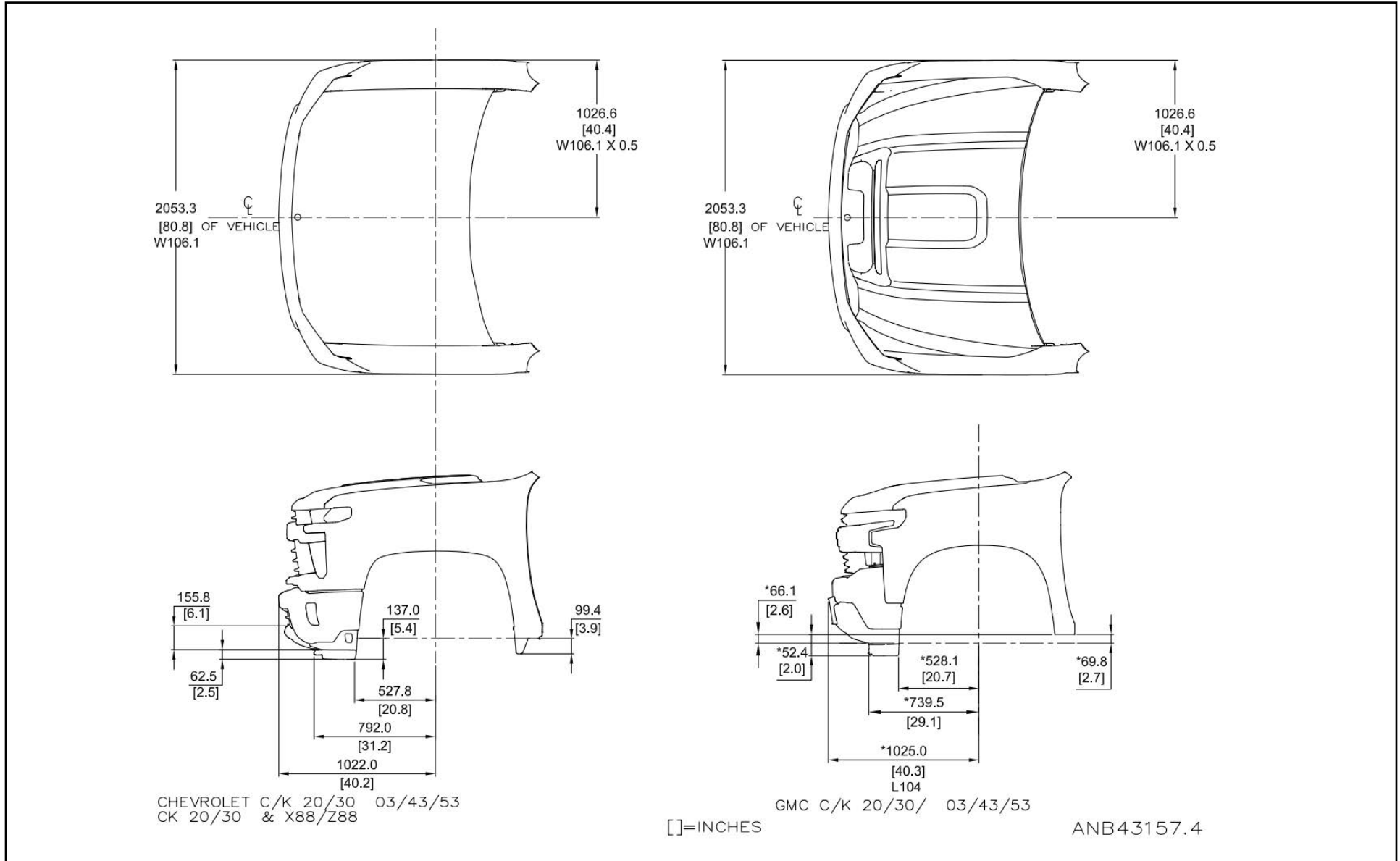
Full Size C/K HD Pickups and Chassis Cabs

C/K 30943, Crew Cab 8' Box DRW – Body General Arrangement



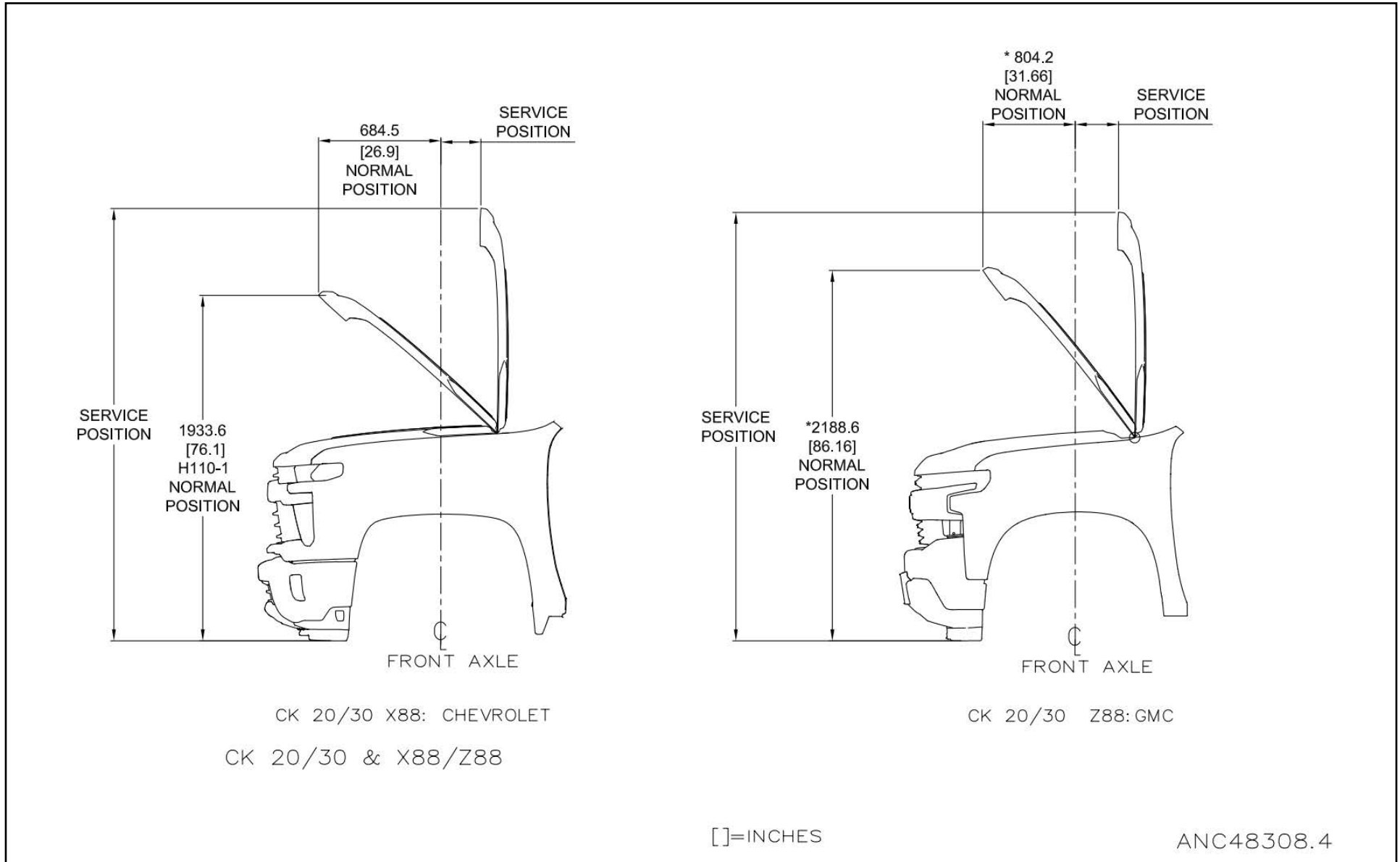
Full Size C/K HD Pickups and Chassis Cabs

C/K 20/30 (03/53/43) – Front End Clips



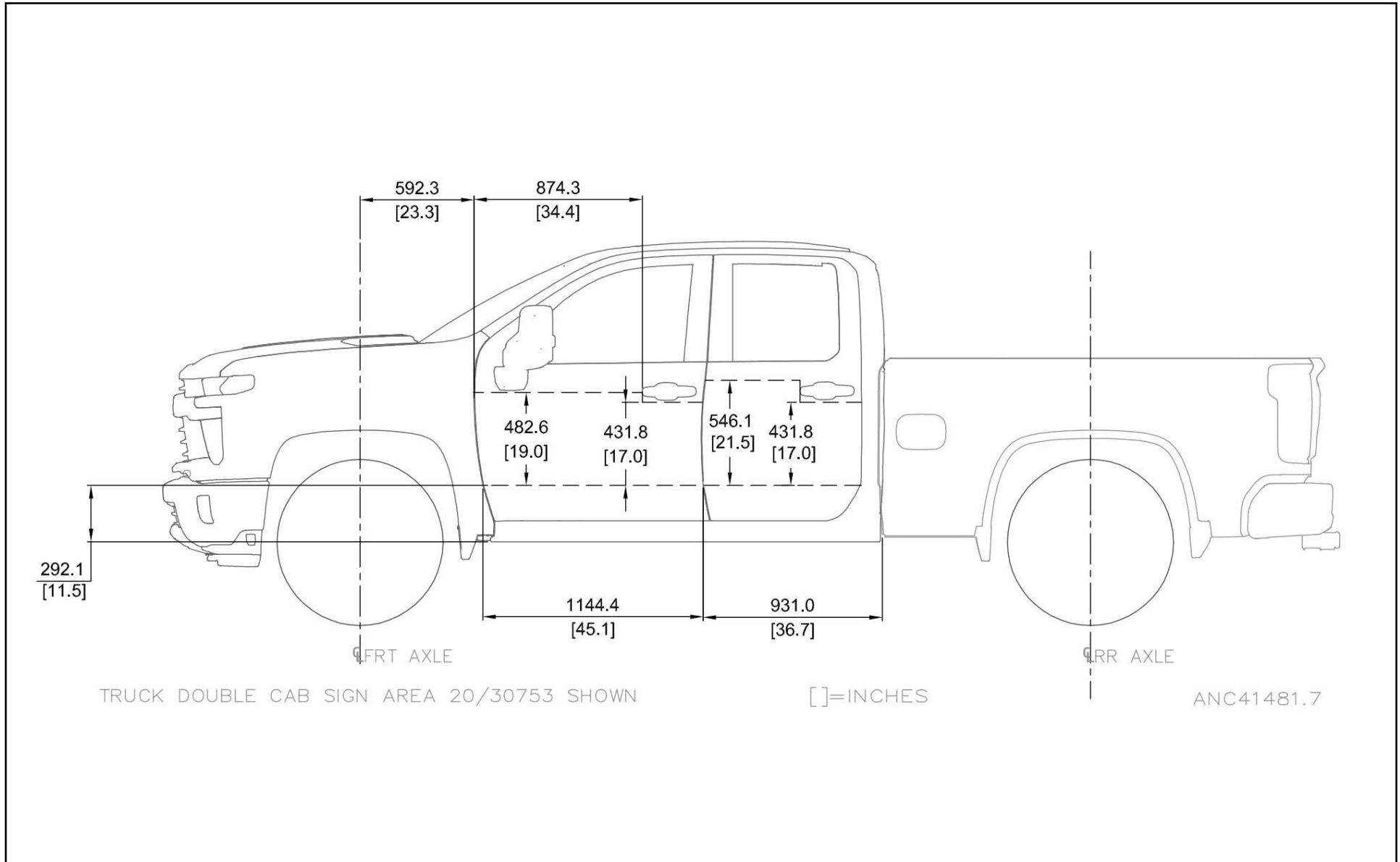
Full Size C/K HD Pickups and Chassis Cabs

C/K 20/30 (03/53/43) – Hood Openings



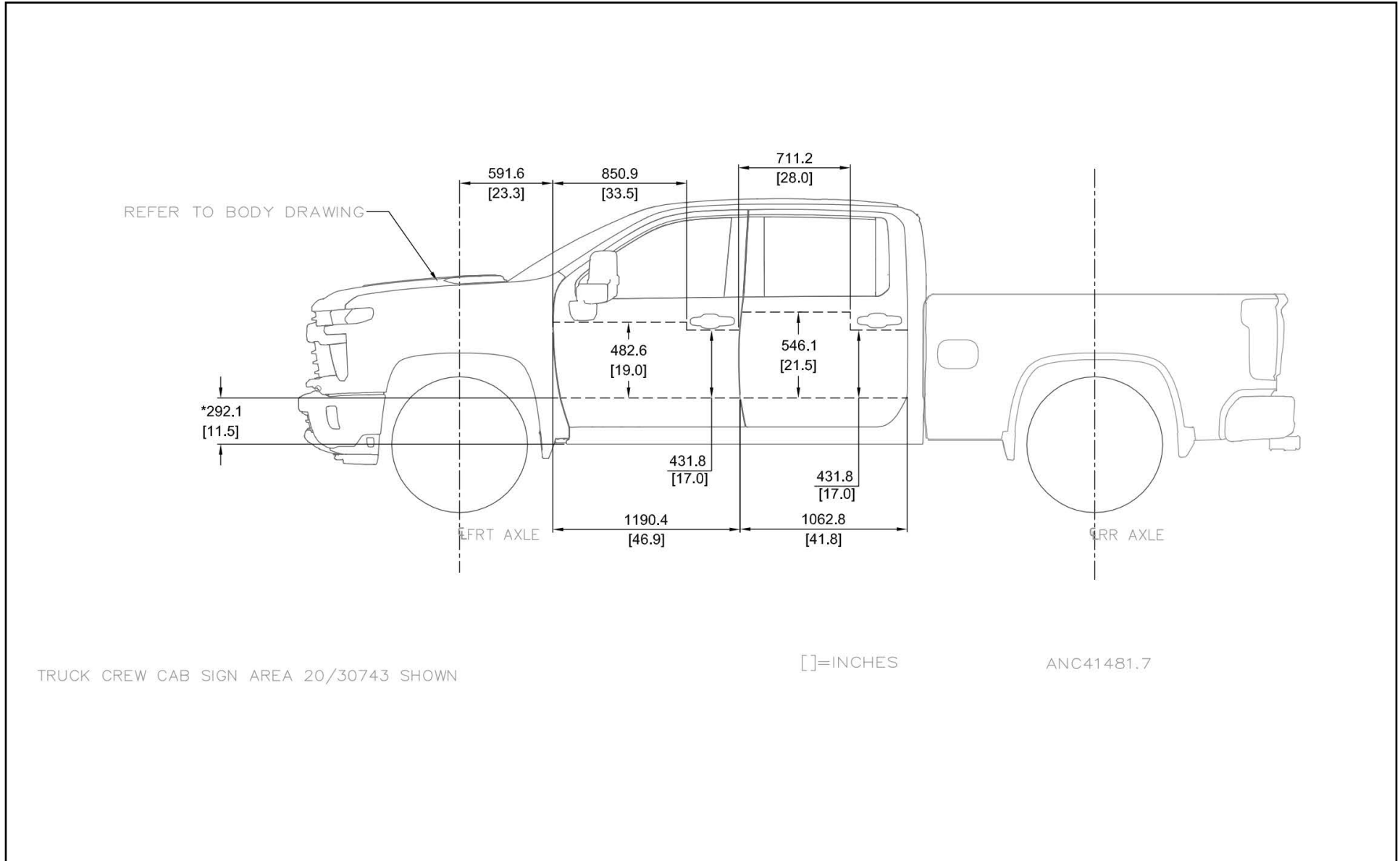
Full Size C/K HD Pickups and Chassis Cabs

Extended Cab Pickup – C/K 100/200/300 (53) – Sign Area



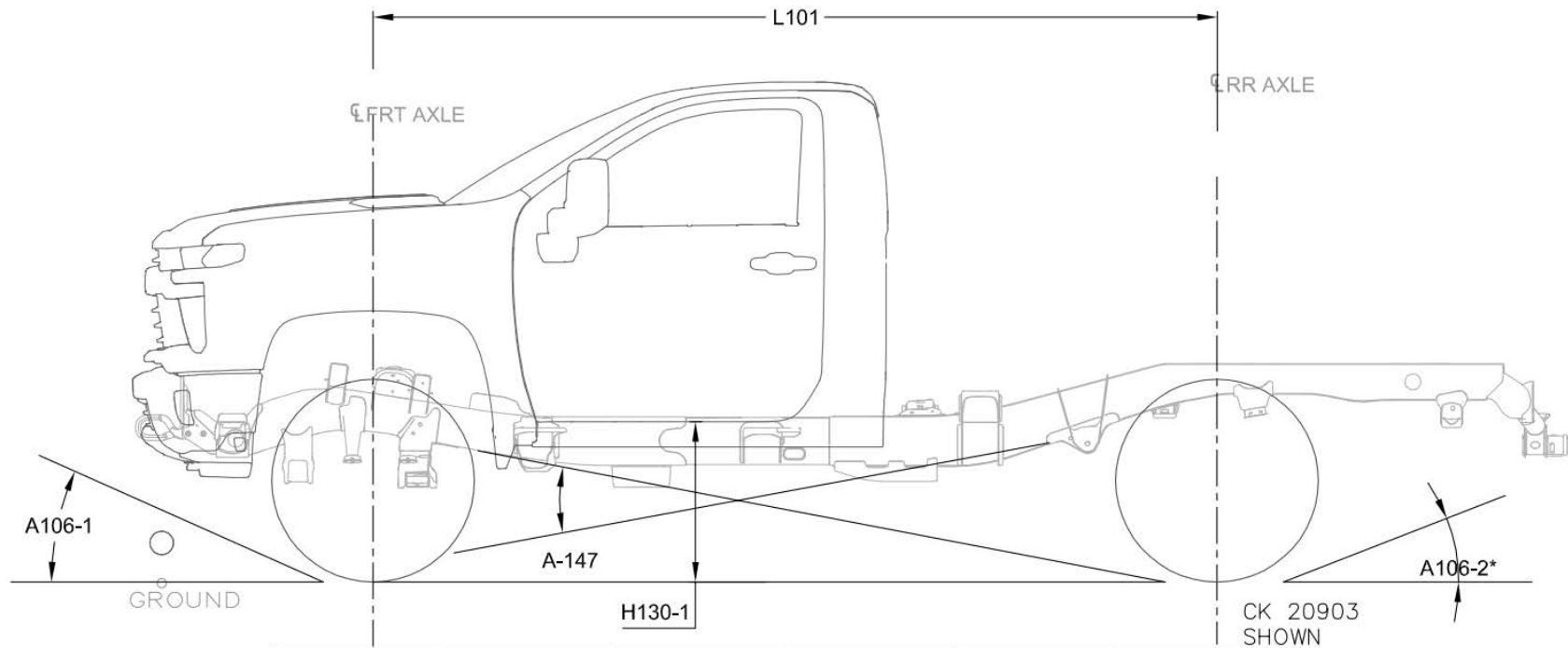
Full Size C/K HD Pickups and Chassis Cabs

Crew Cab Pickup – C/K 100/200/300 (43) – Sign Area



Full Size C/K HD Pickups and Chassis Cabs

Regular Cab (03) – Cab Step in Heights



MODEL	L101 (WB)	H130 -1	A106-1	A147	A106-2
CK 20903	3594 (141.5)	683 (26.8)	24	20.3	21.3
CK 30903	3594 (141.5)	691 (27.2)	24.5	21	21.9
CK 31003	3713 (146.3)	696 (27.4)	23.7	20.8	29
CK 31403	4338 (170.8)	689 (27.1)	23.8	18.8	28.7

* Completed Vehicle
ANC10189.3

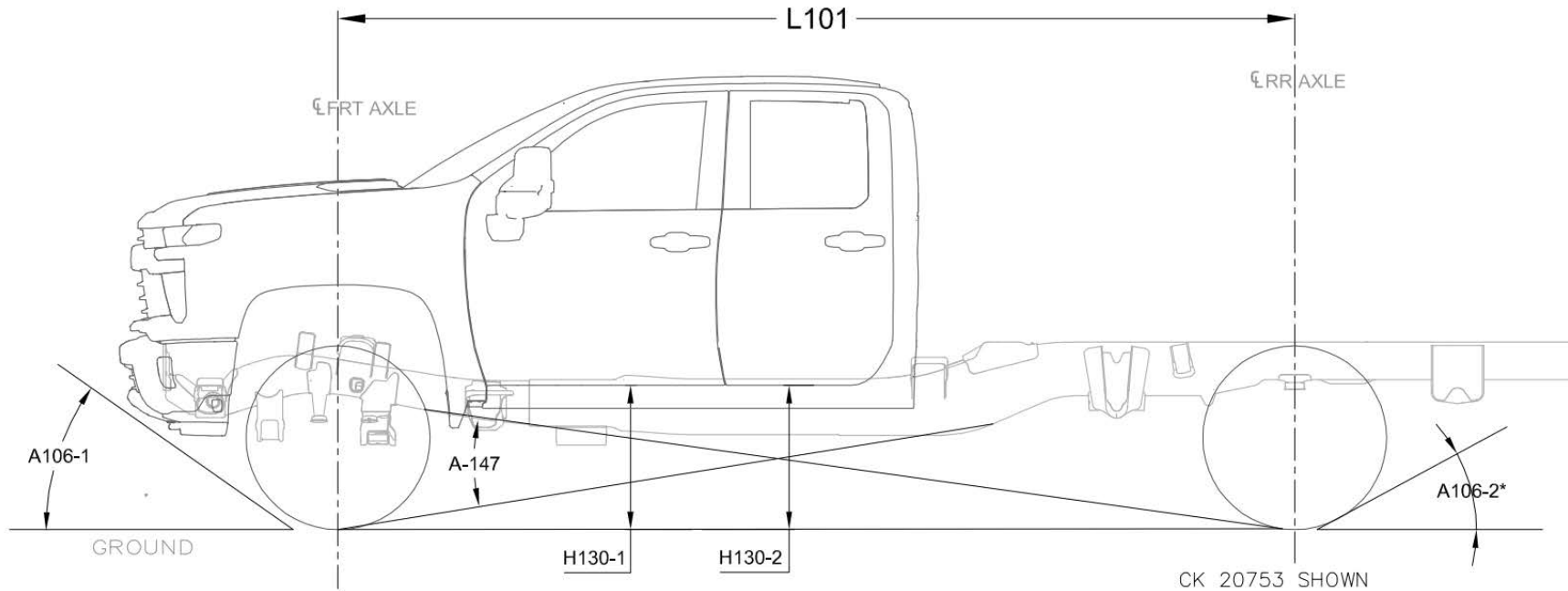
STEP IN HEIGHT FOR CK200300 03

BASE VEHICLE @ CURB

[]=INCHES

Full Size C/K HD Pickups and Chassis Cabs

Extended Cab (53) – Cab Step in Heights



MODEL	L101 (WB)	H130 -1	H130 -2	A106-1	A147	A106-2
CK 20753	3795 (149.4)	679 (26.7)	686 (27.0)	24	19.5	22.2
CK 20953	4128 (162.5)	676 (26.6)	682 (26.8)	24.1	18.6	20.8
CK 30953	4128 (162.5)	685 (26.9)	714 (28.11)	26.3	20.4	22

* Completed Vehicle

STEP IN HEIGHT FOR CK200300 53

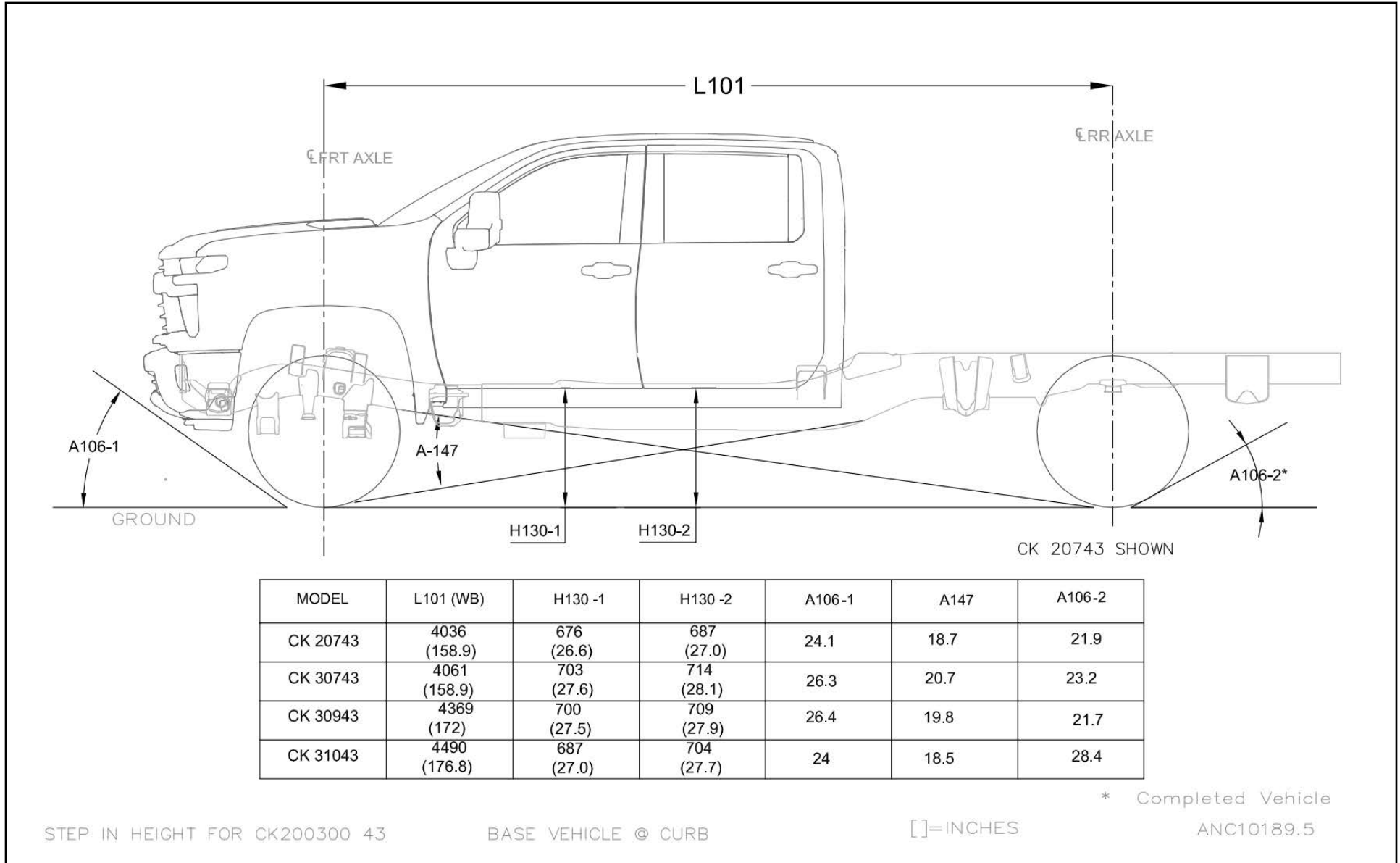
BASE VEHICLE © CURB

[]=INCHES

ANC10189.4

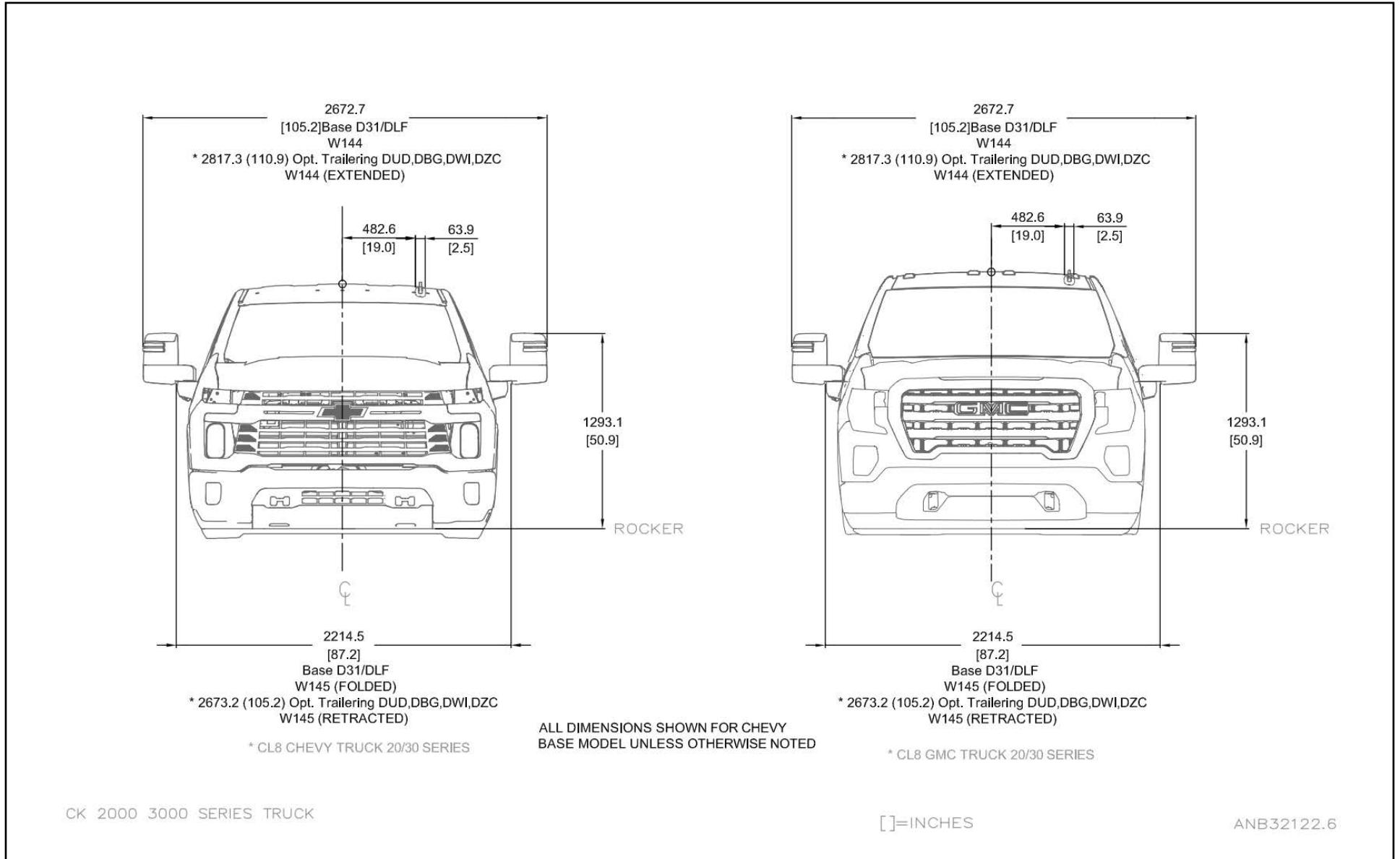
Full Size C/K HD Pickups and Chassis Cabs

Crew Cab (43) – Cab Step in Heights



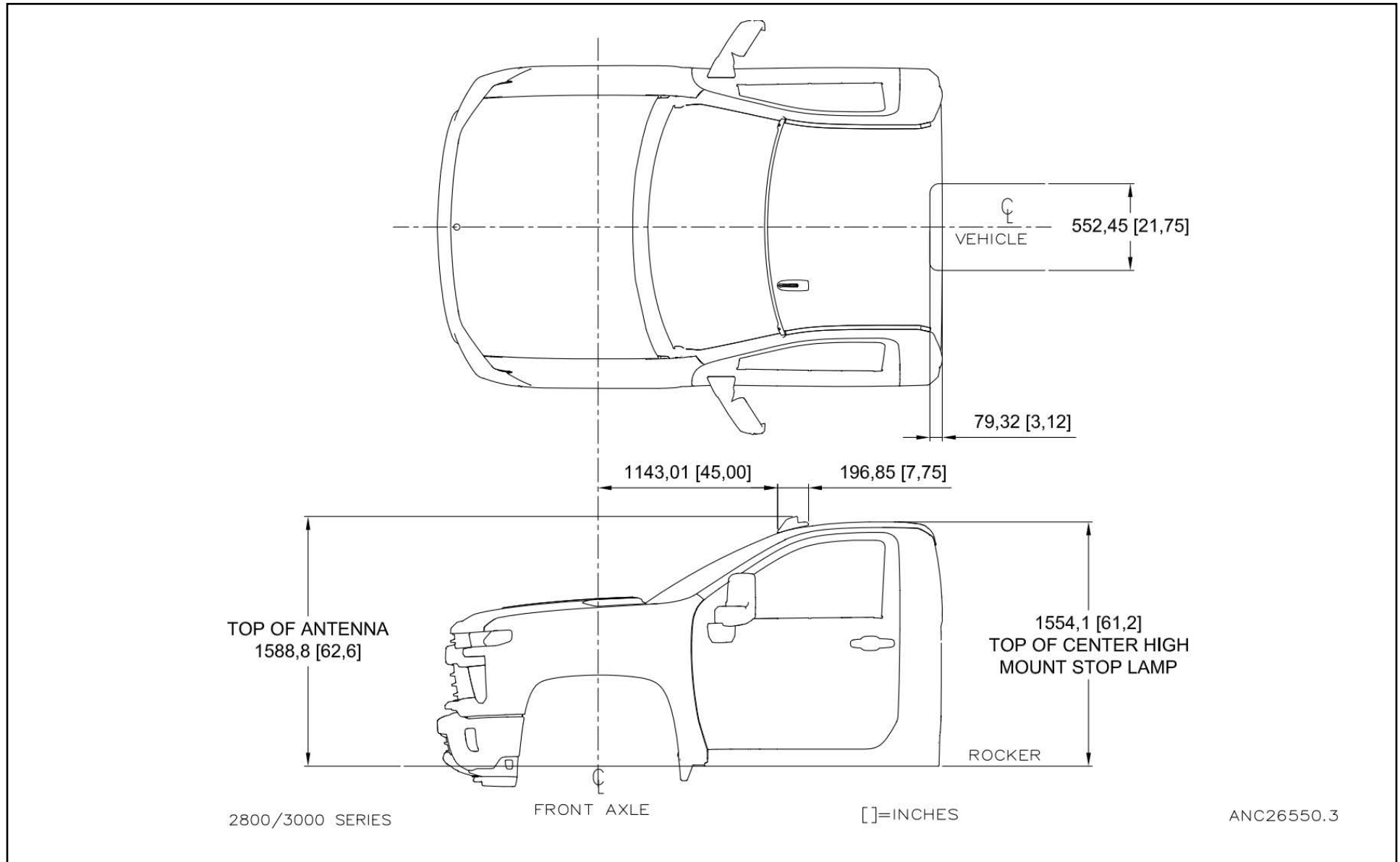
Full Size C/K HD Pickups and Chassis Cabs

C/K 2000 / 3000 Base D31/DLF & Opt. Trailering DUD,DBG,DWI,DZC Mirrors, Outside Rear-view



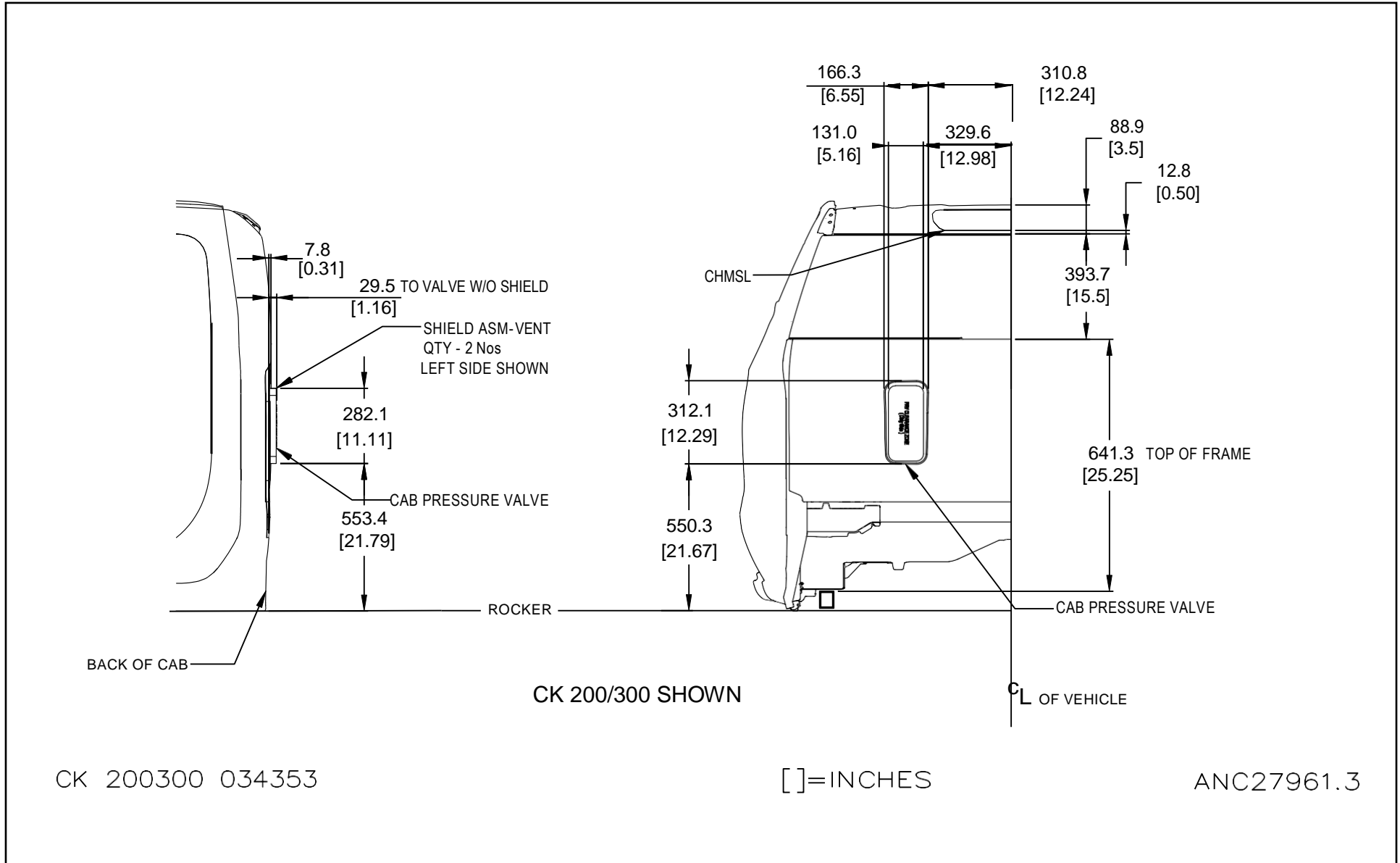
Full Size C/K HD Pickups and Chassis Cabs

CHMSL and Antenna



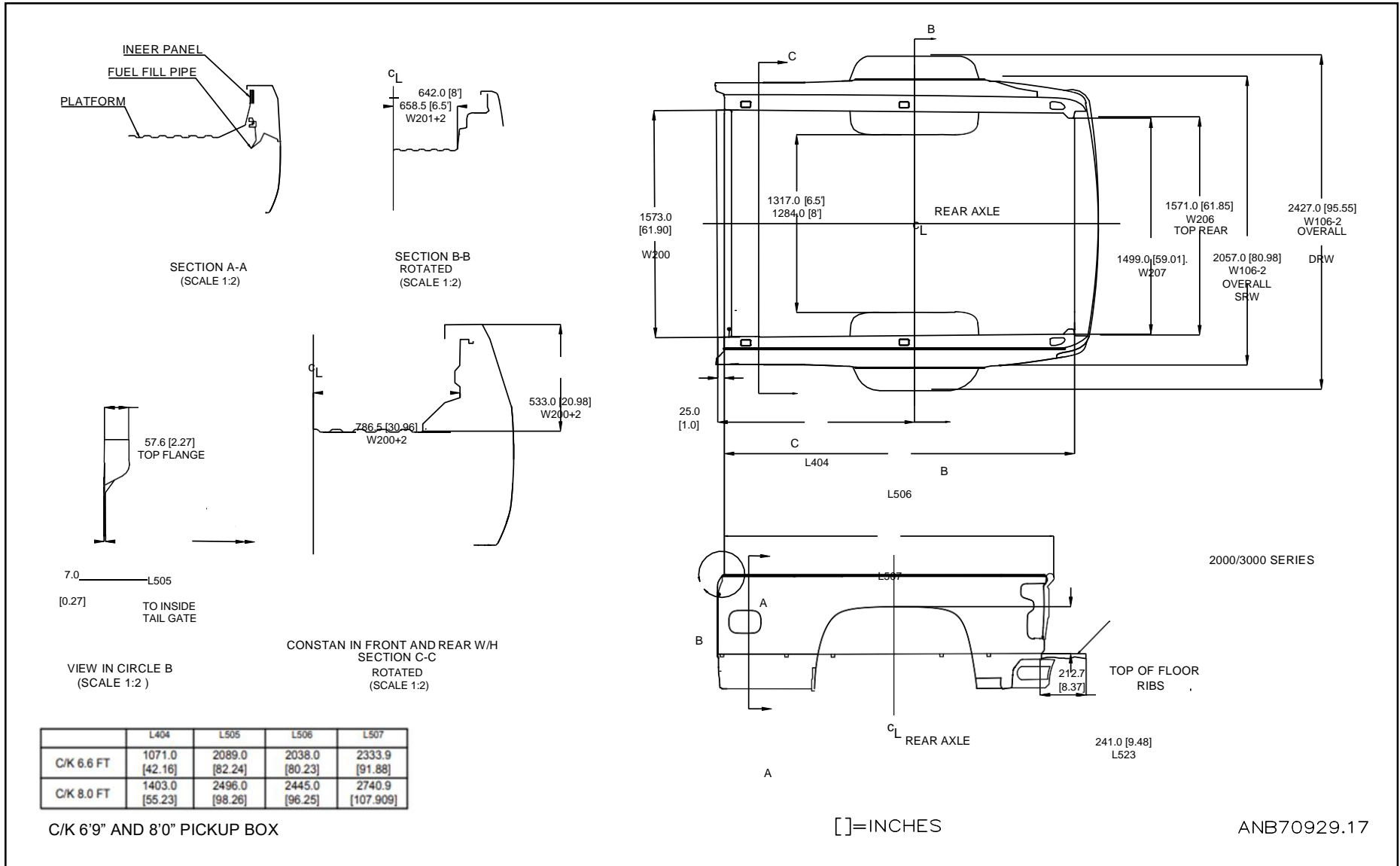
Full Size C/K HD Pickups and Chassis Cabs

Rear Quarter Body Panel – Cab Pressure Valve Assembly



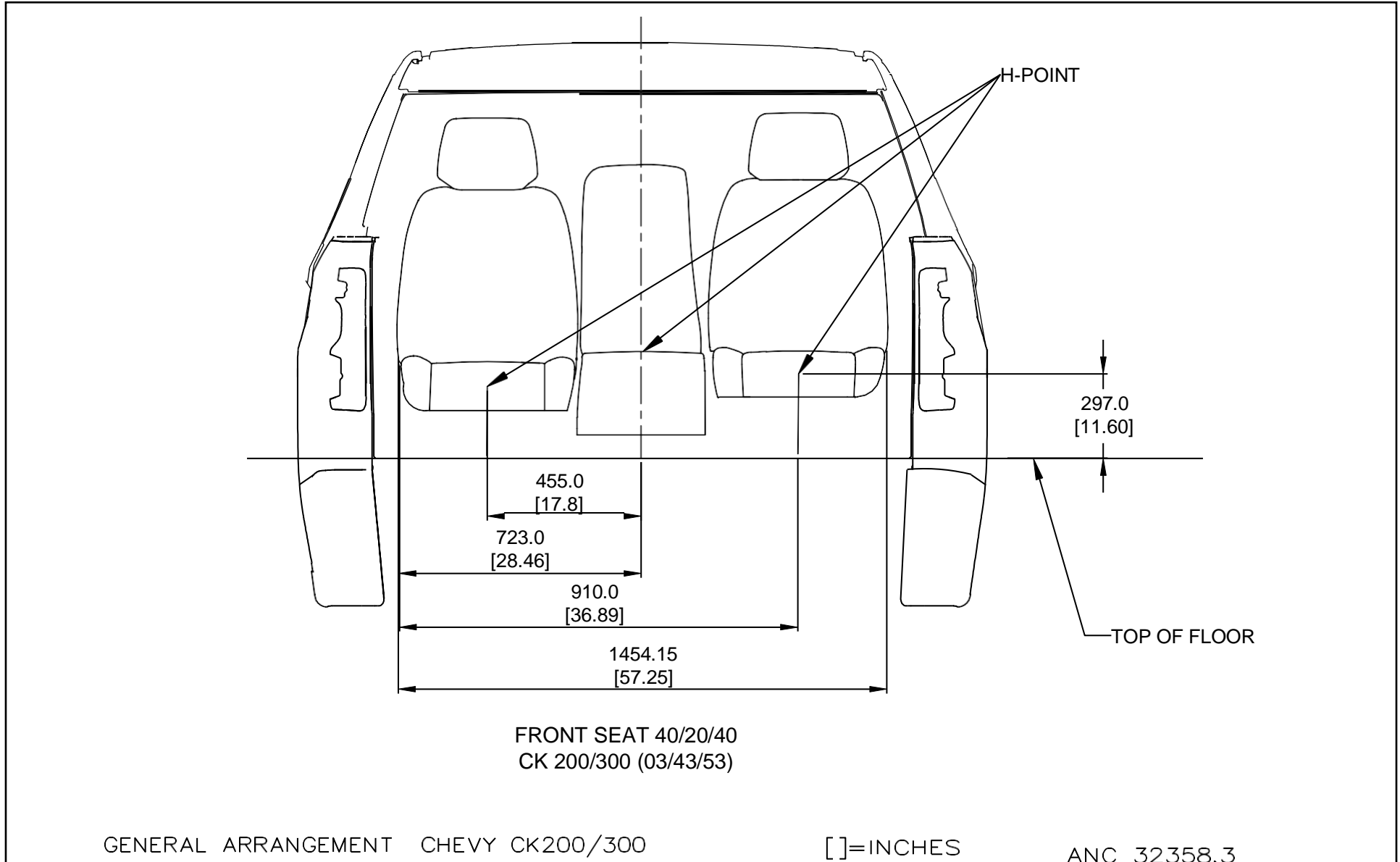
Full Size C/K HD Pickups and Chassis Cabs

Length and Width Dimension for Pickup Box – All



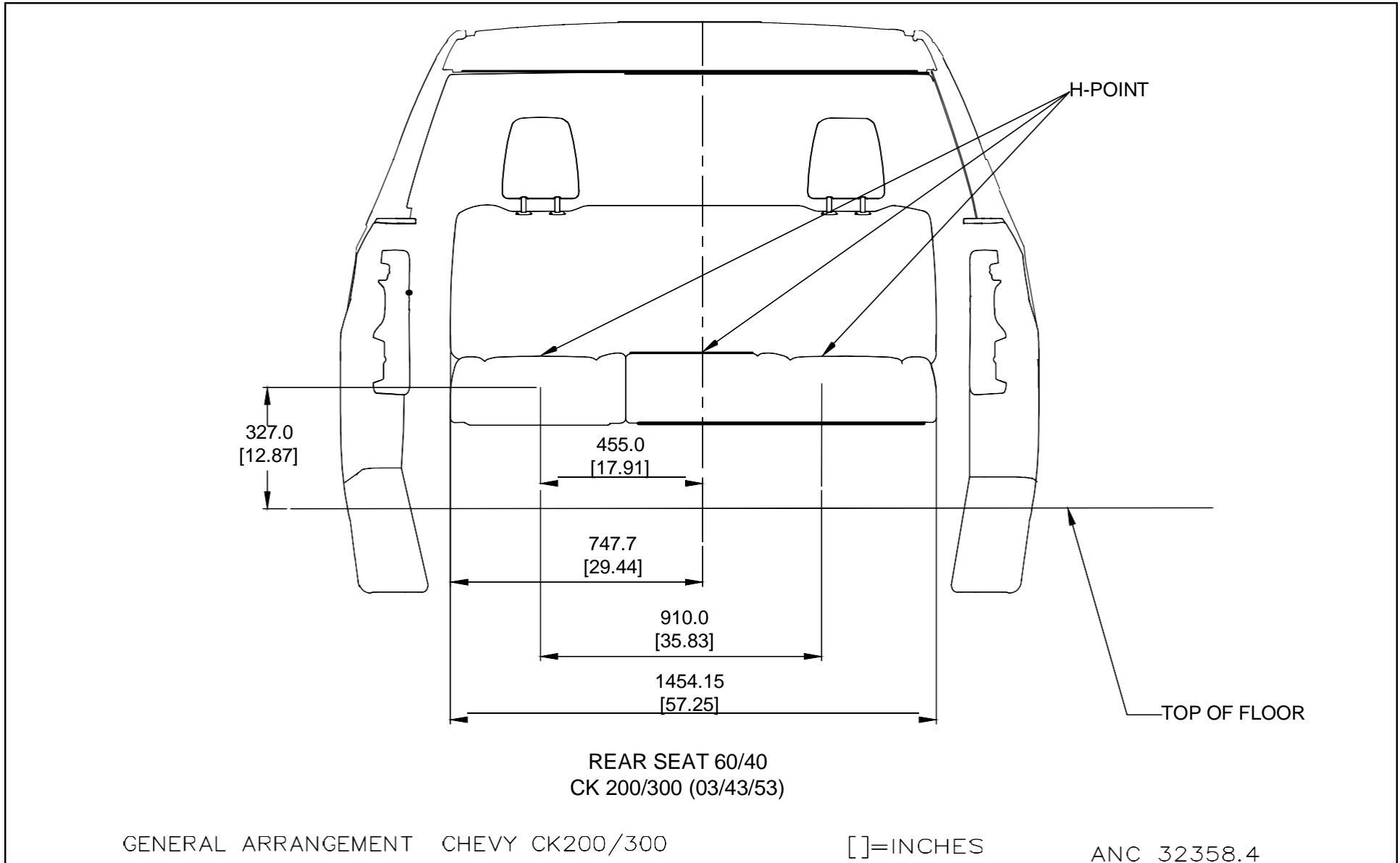
Full Size C/K HD Pickups and Chassis Cabs

Seating Position and H-Point 1st Row Front View Pickups – C/K 200/300 (03/53/43)



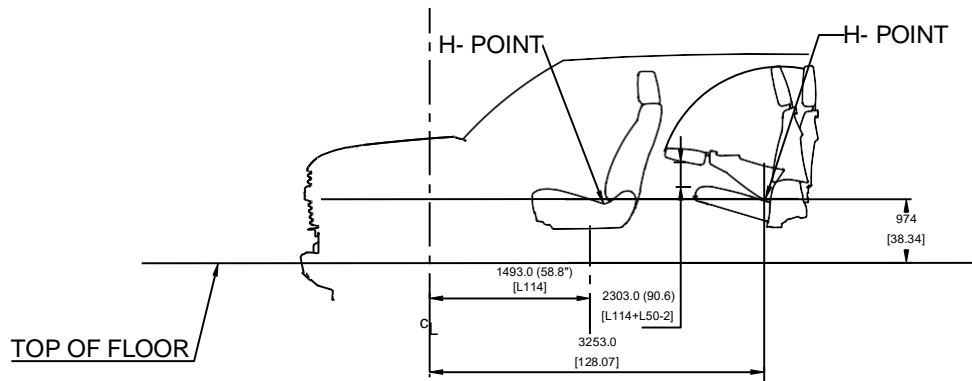
Full Size C/K HD Pickups and Chassis Cabs

Seating Position and H-Point 2nd Row Front View Pickups – C/K 200/300 (03/53/43)

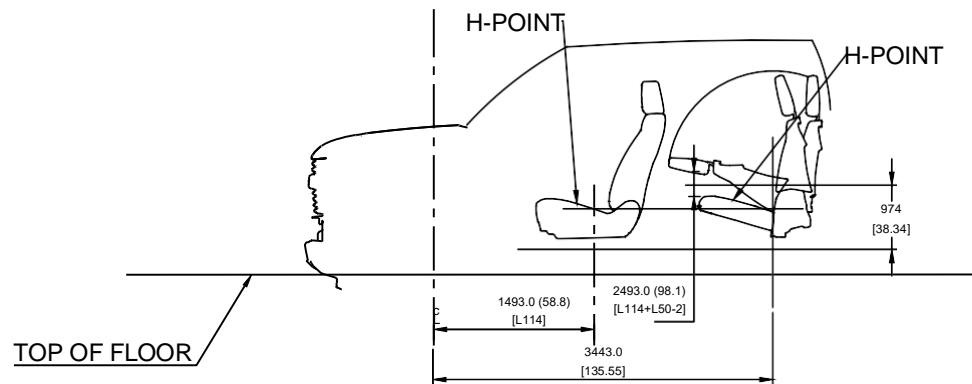


Full Size C/K HD Pickups and Chassis Cabs

Seating Position and H-Point Side View Pickups – C/K 200/300 (03/53/43)



CK200/300 53 SHOWN



CK 200/300 43 SHOWN

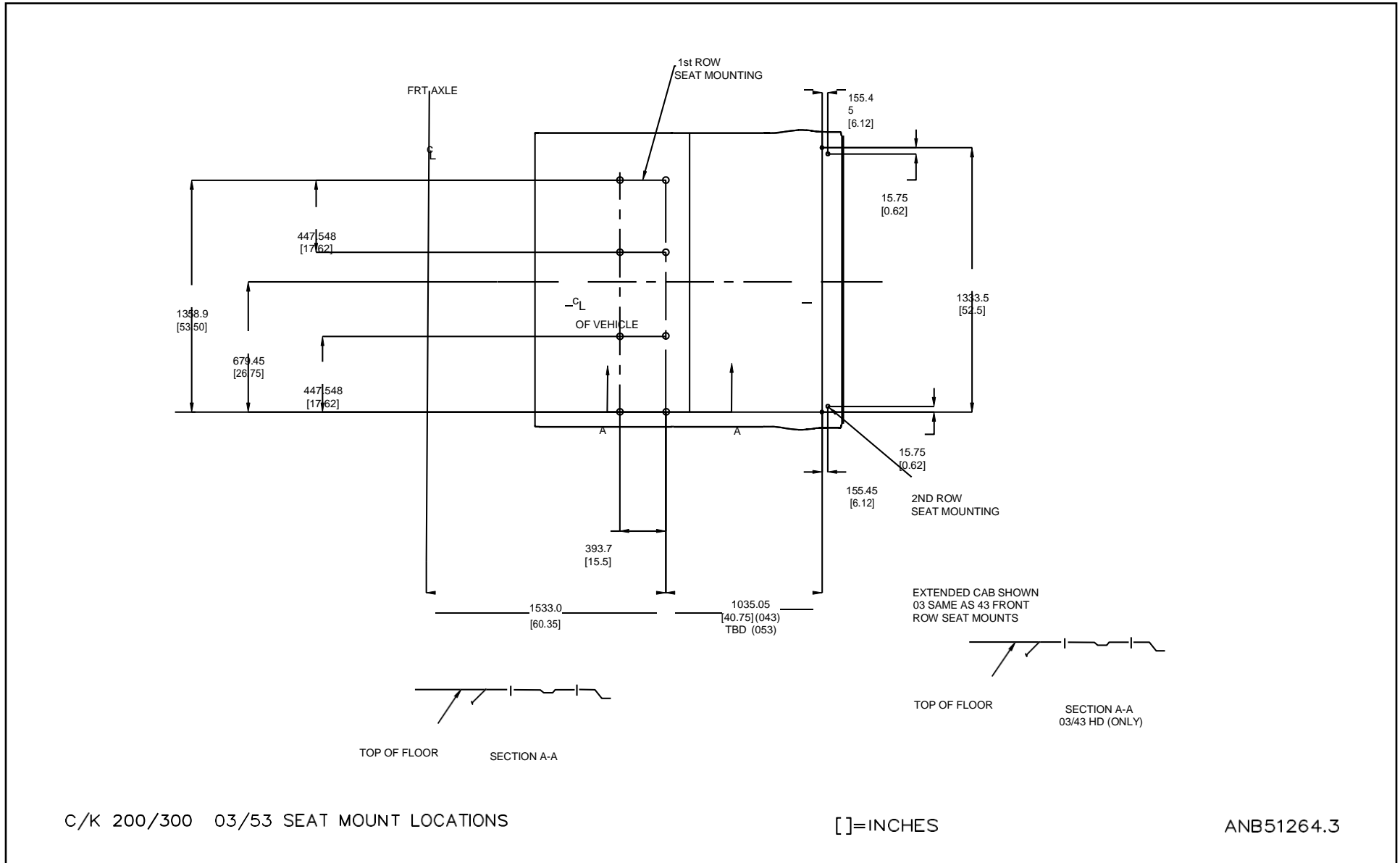
GENERAL ARRANGEMENT CHEVY CK200/300

[]=INCHES

ANC 32358.5

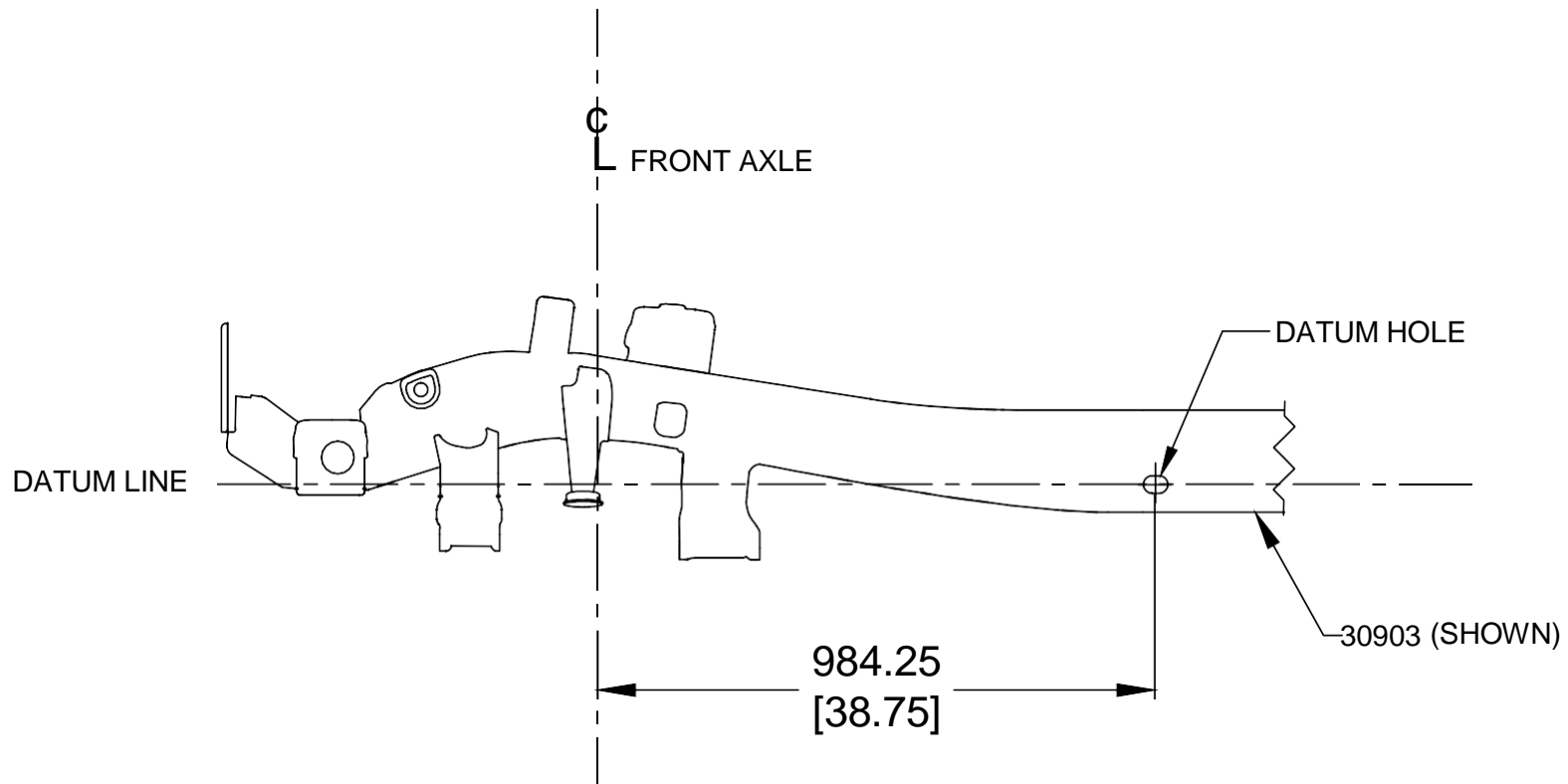
Full Size C/K HD Pickups and Chassis Cabs

C/K 200/300 (03/53/43) – Seat Mounting Holes Locations – Floor



Full Size C/K HD Pickups and Chassis Cabs

C/K 200/300 (00) – Datum Hole Location



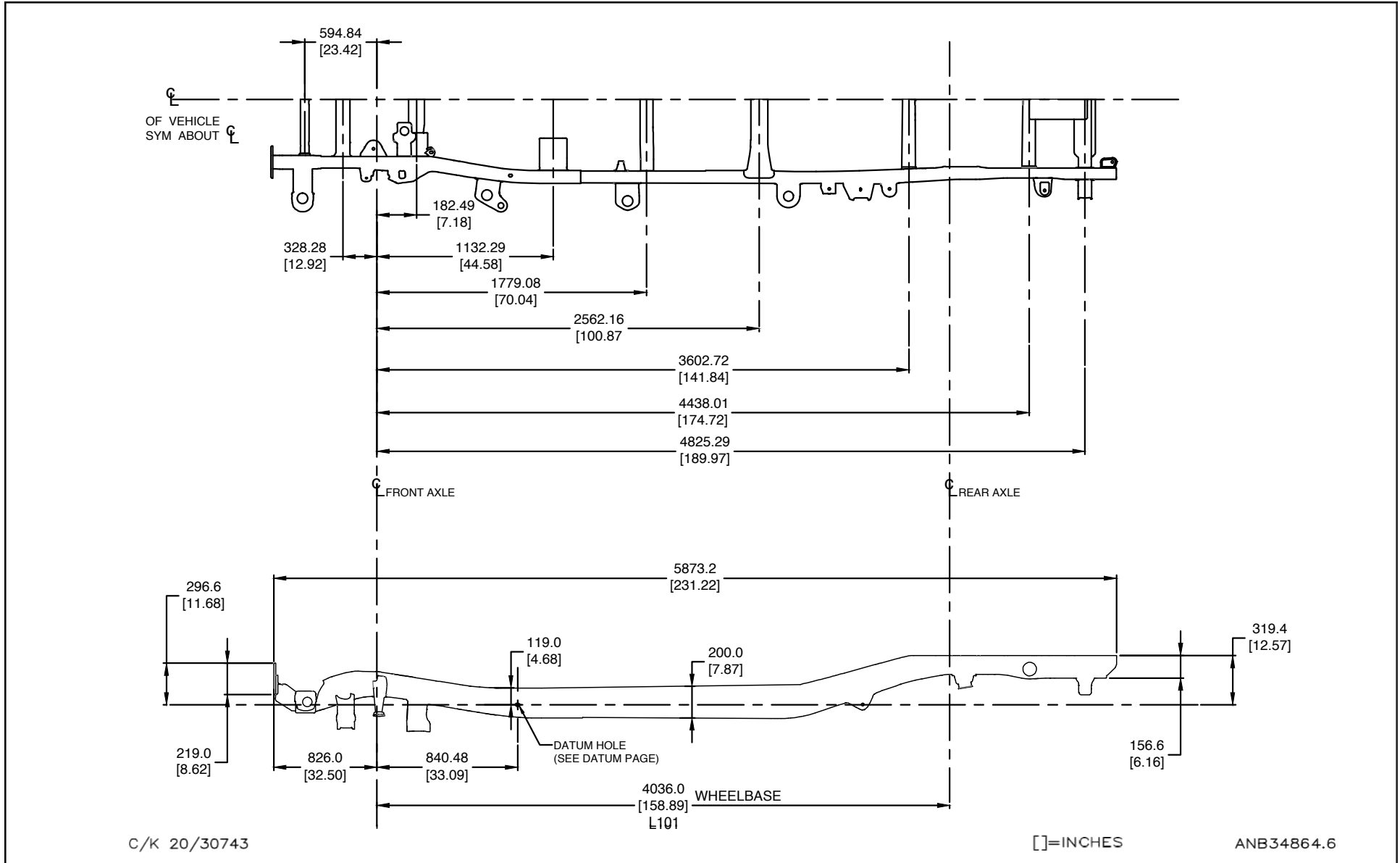
GMT CK 20/30 FRAME DATUM LOCATION

[]=INCHES

ANC30752.3

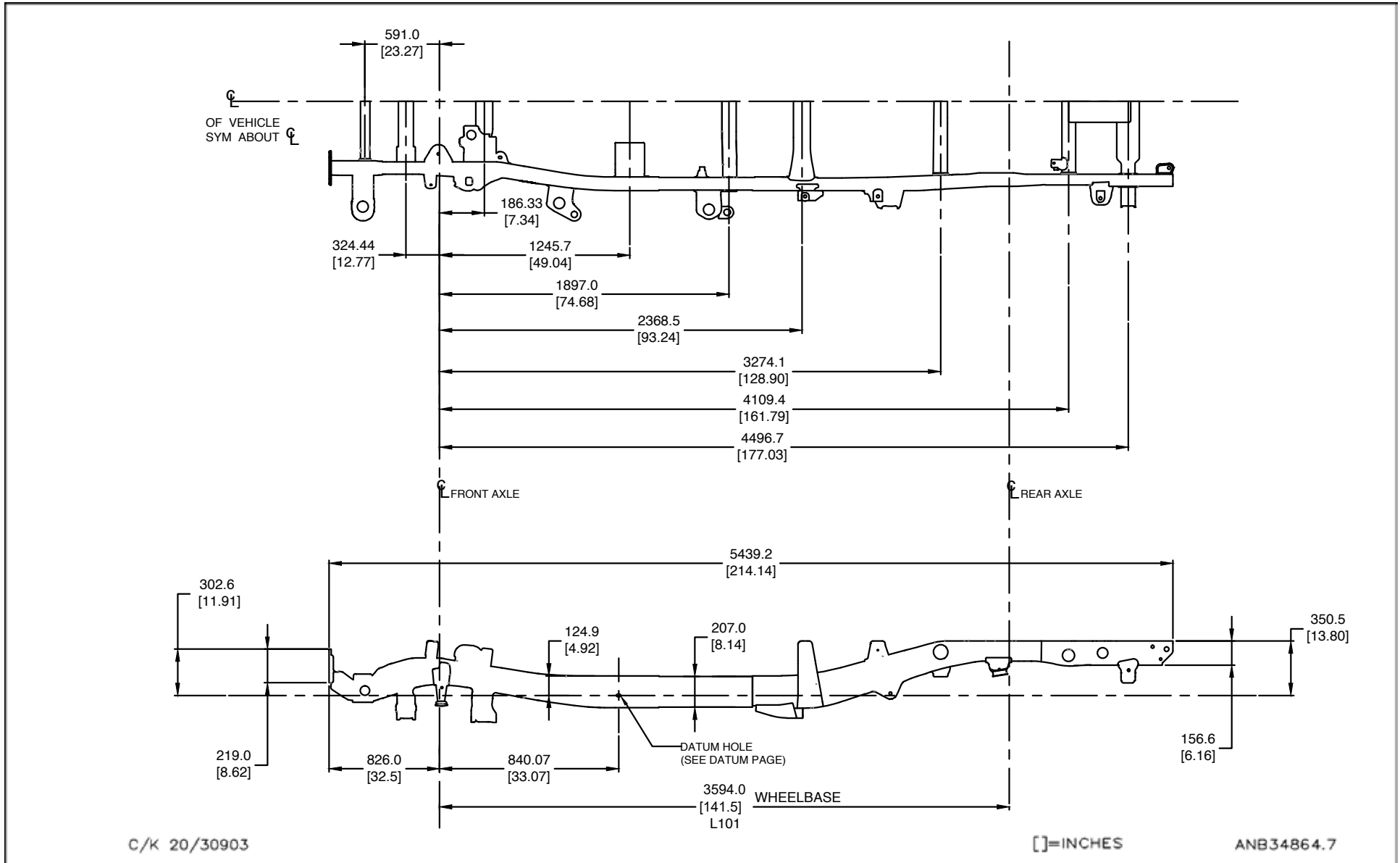
Full Size C/K HD Pickups and Chassis Cabs

C/K 20/30743 – Frame Rail and Crossmember Locations



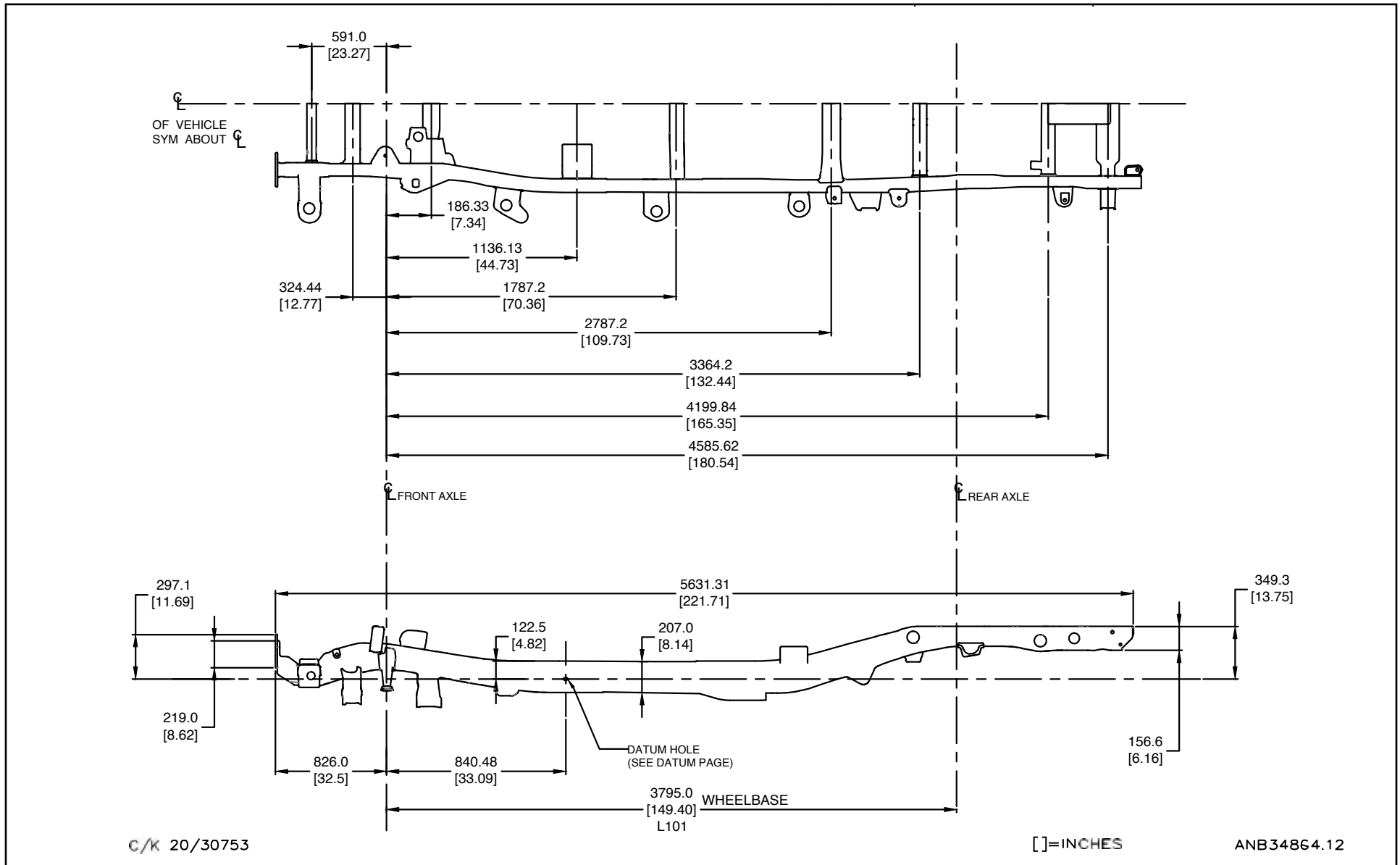
Full Size C/K HD Pickups and Chassis Cabs

C/K 20/30903 – Frame Rail and Crossmember Locations



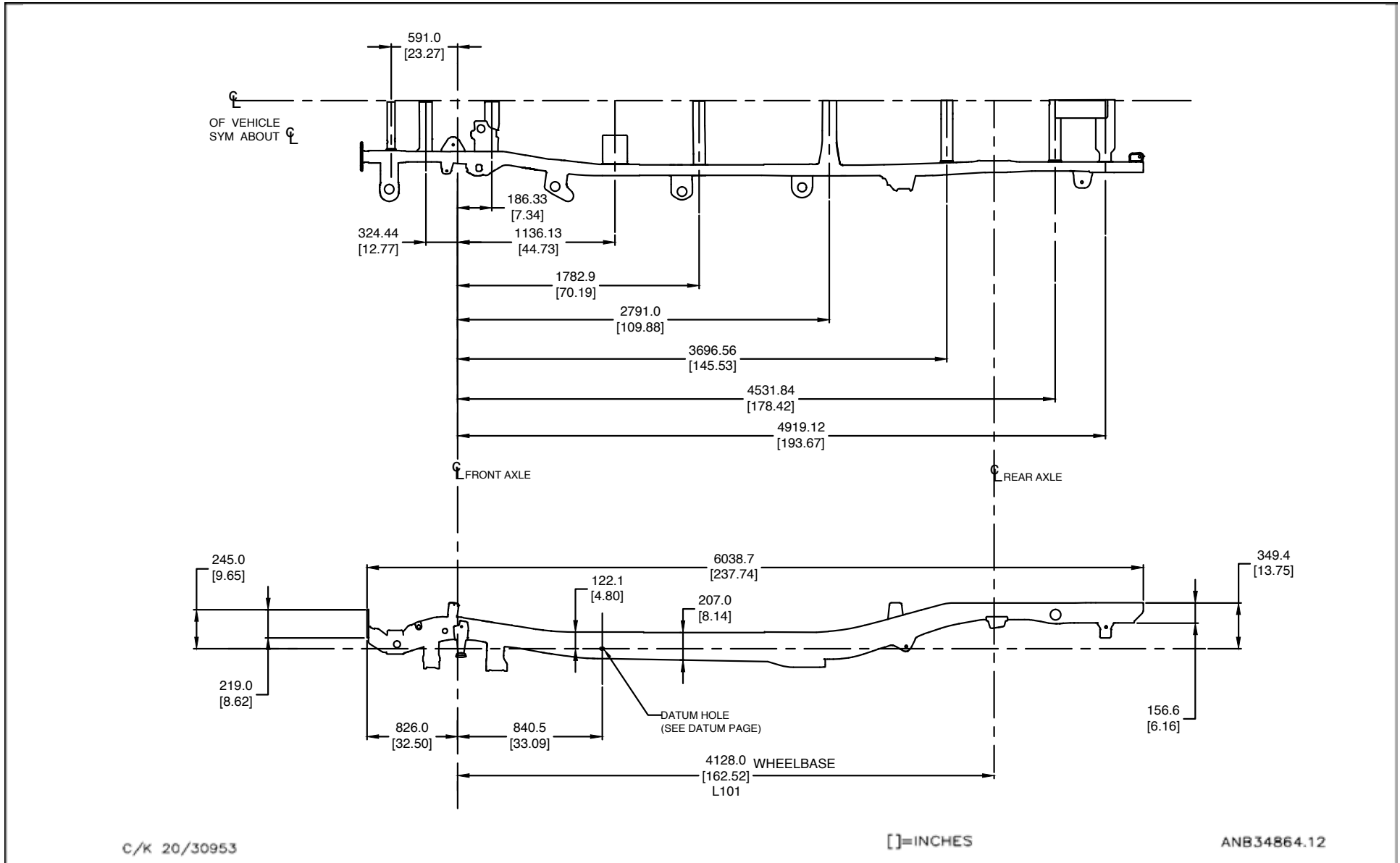
Full Size C/K HD Pickups and Chassis Cabs

C/K 20/30753 – Frame Rail and Crossmember Locations



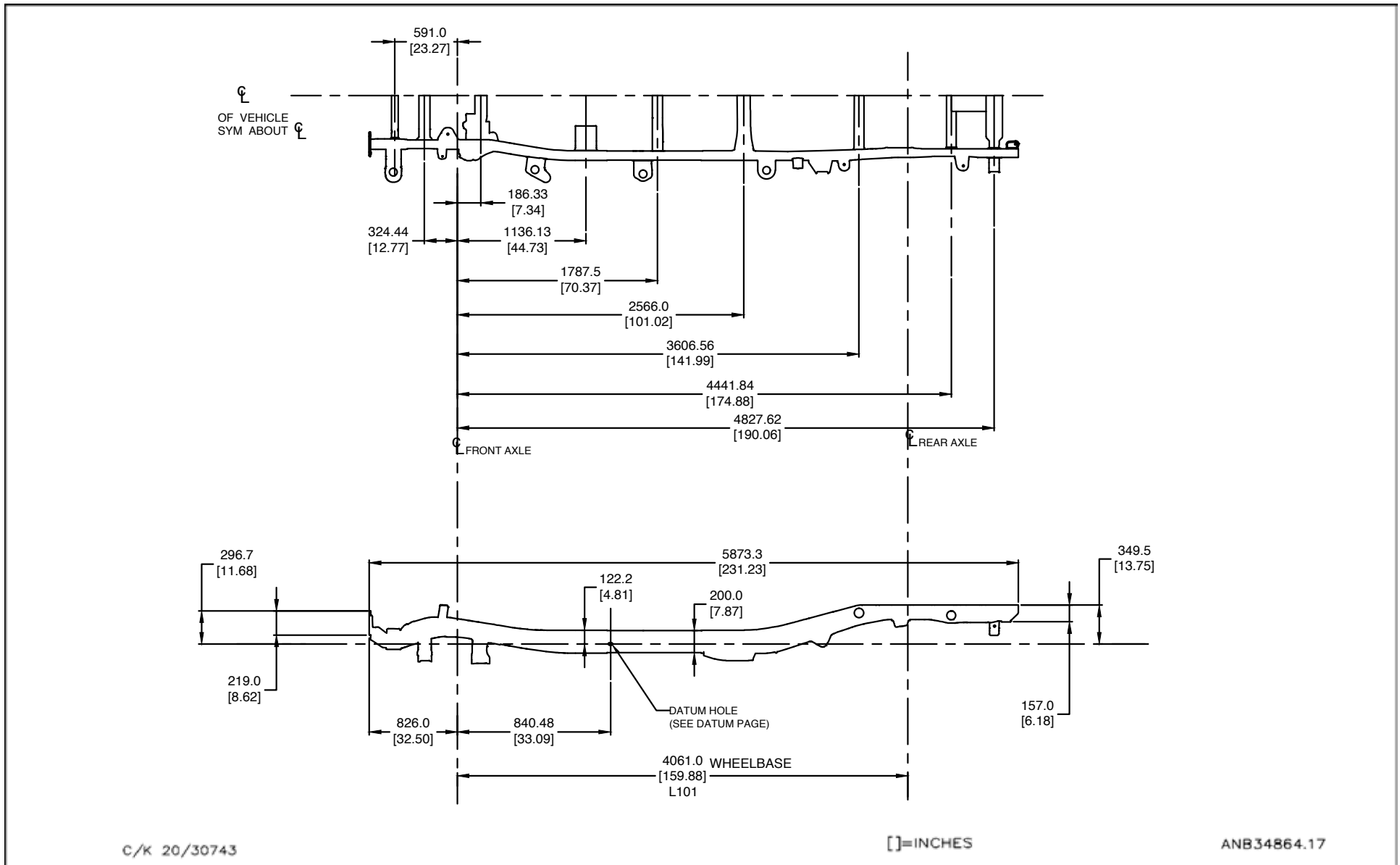
Full Size C/K HD Pickups and Chassis Cabs

C/K 20/30953 – Frame Rail and Crossmember Locations



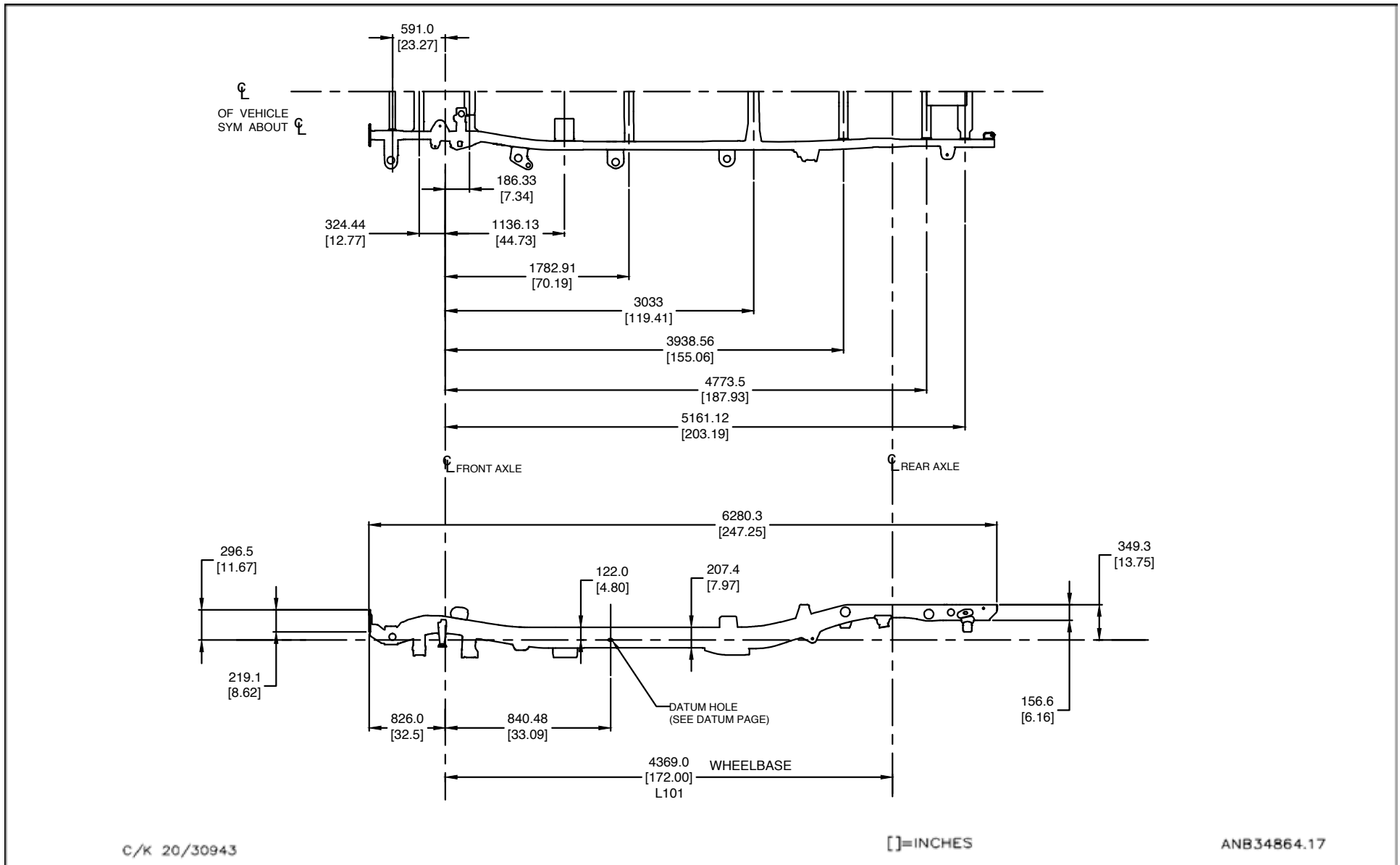
Full Size C/K HD Pickups and Chassis Cabs

C/K 20/30743 – Frame Rail and Crossmember Locations



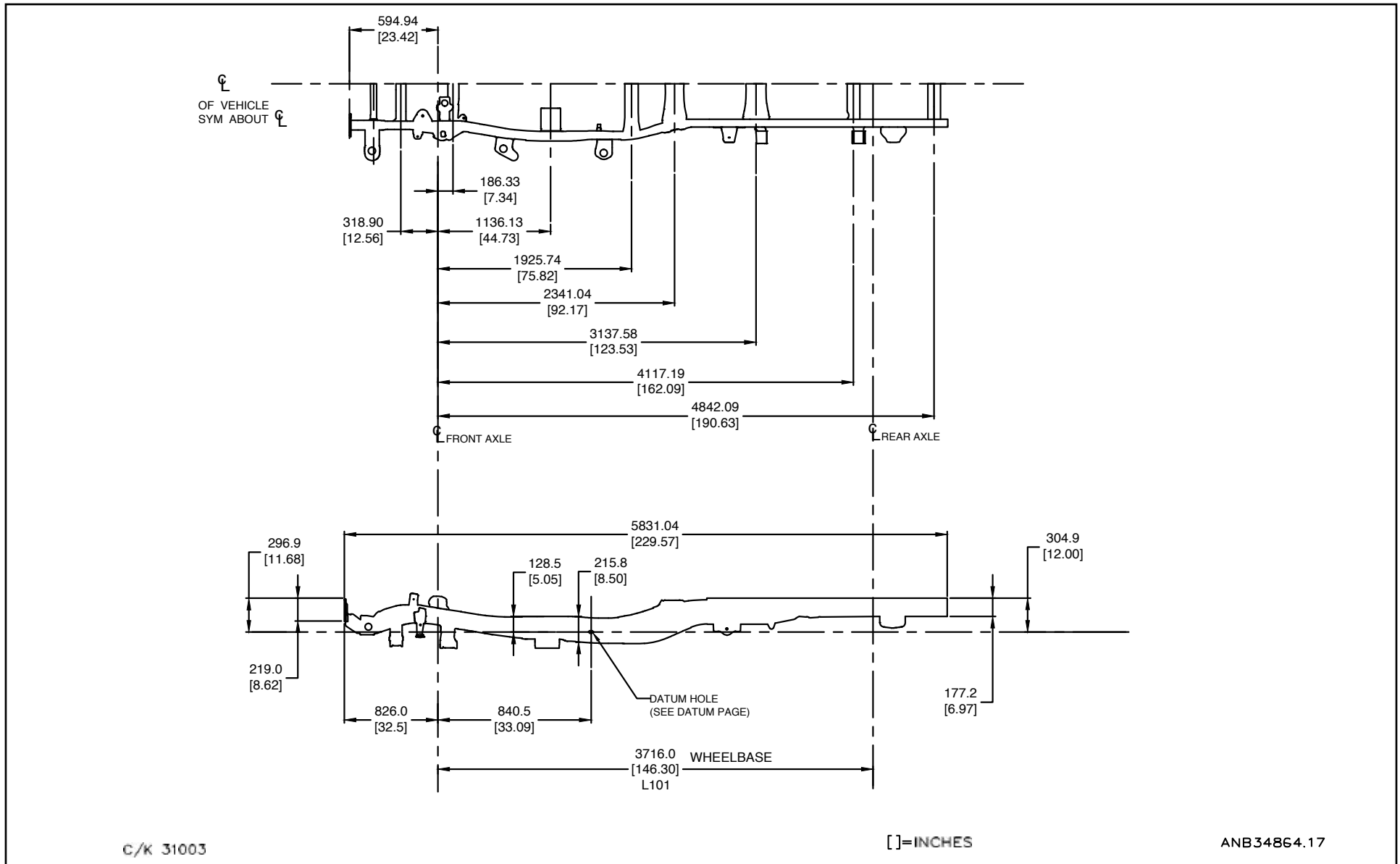
Full Size C/K HD Pickups and Chassis Cabs

C/K 20/30943 – Frame Rail and Crossmember Locations



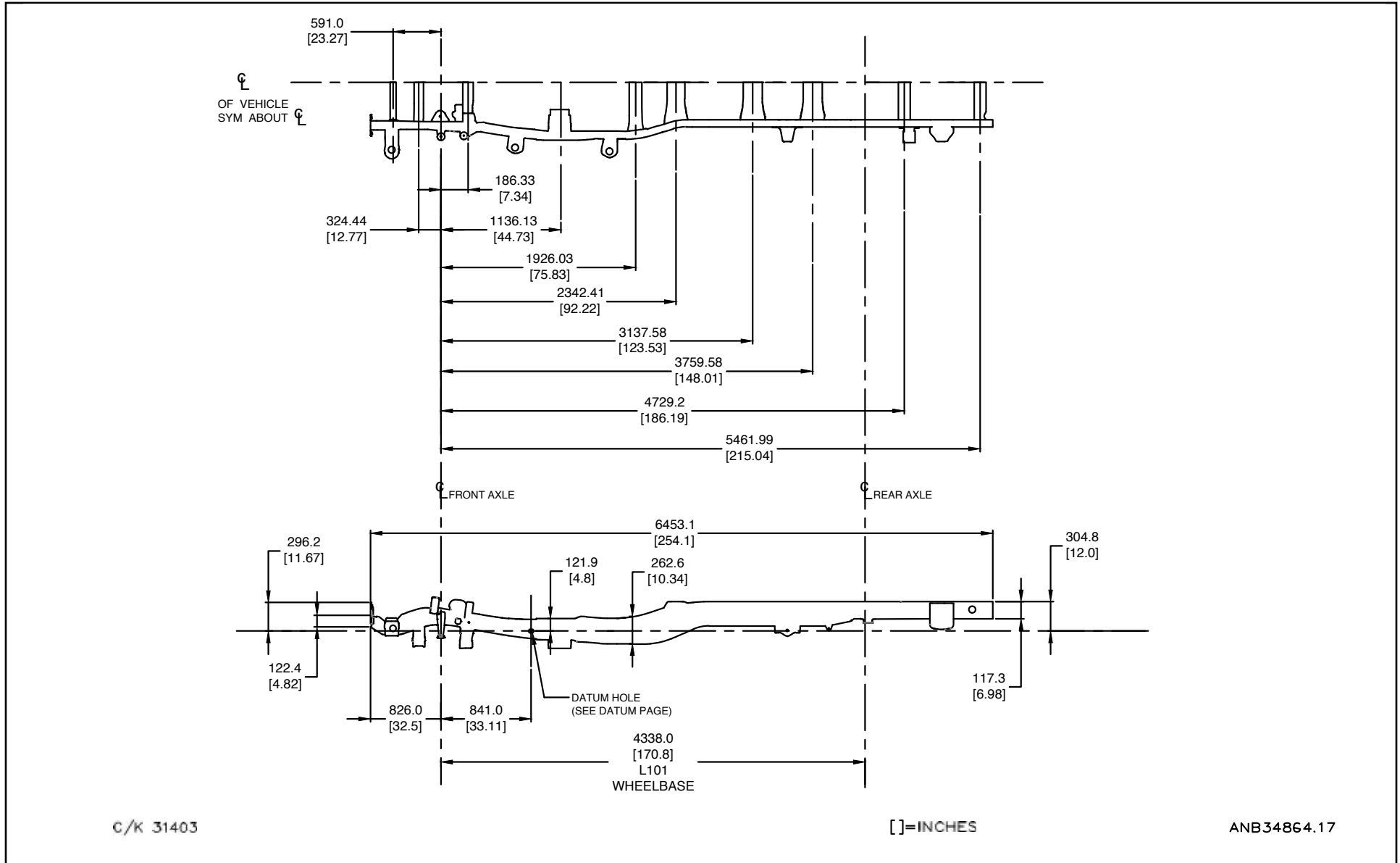
Full Size C/K HD Pickups and Chassis Cabs

C/K 31003 – Frame Rail and Crossmember Locations



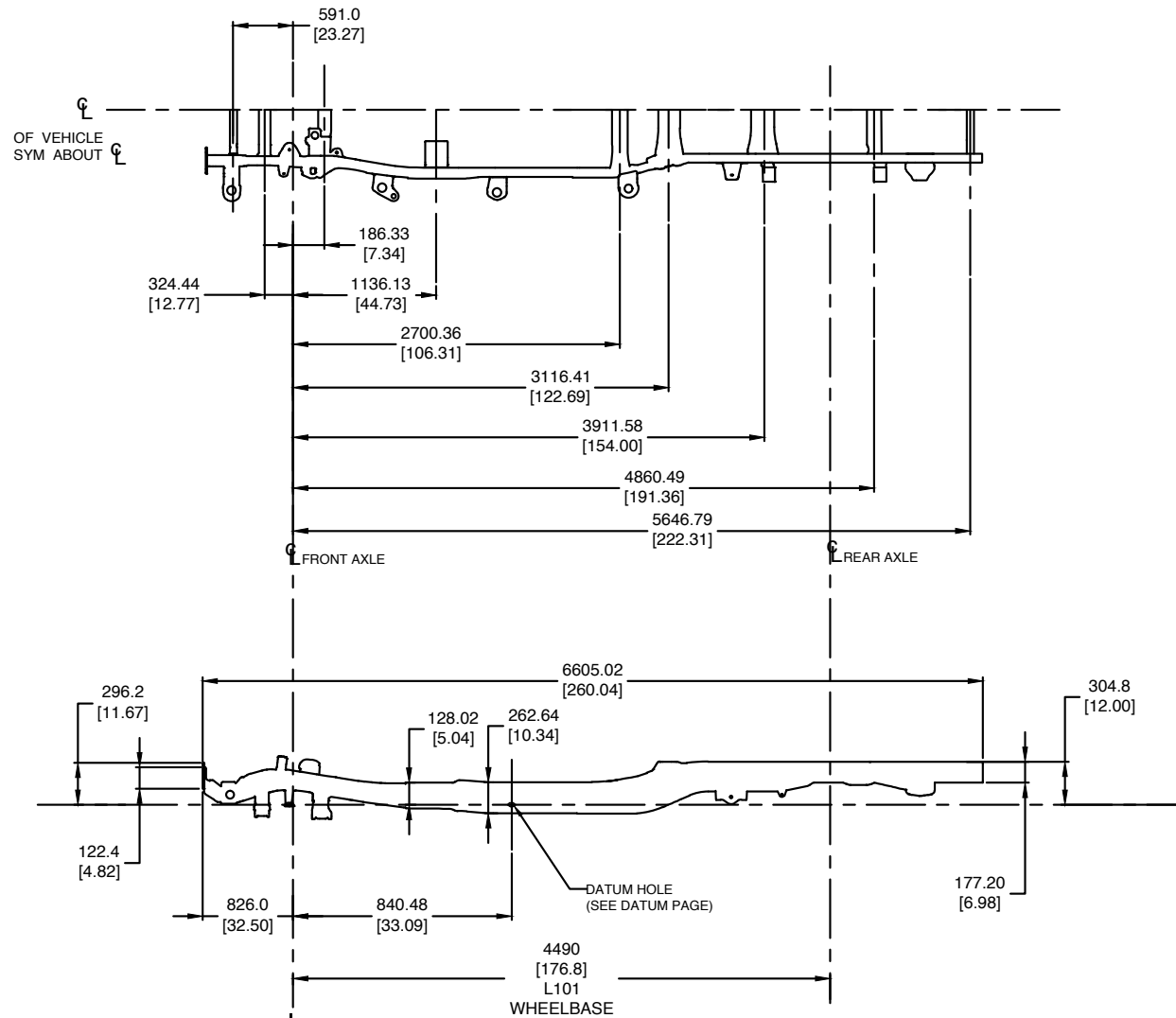
Full Size C/K HD Pickups and Chassis Cabs

C/K 31403 – Frame Rail and Crossmember Locations



Full Size C/K HD Pickups and Chassis Cabs

C/K 31043 – Frame Rail and Crossmember Locations



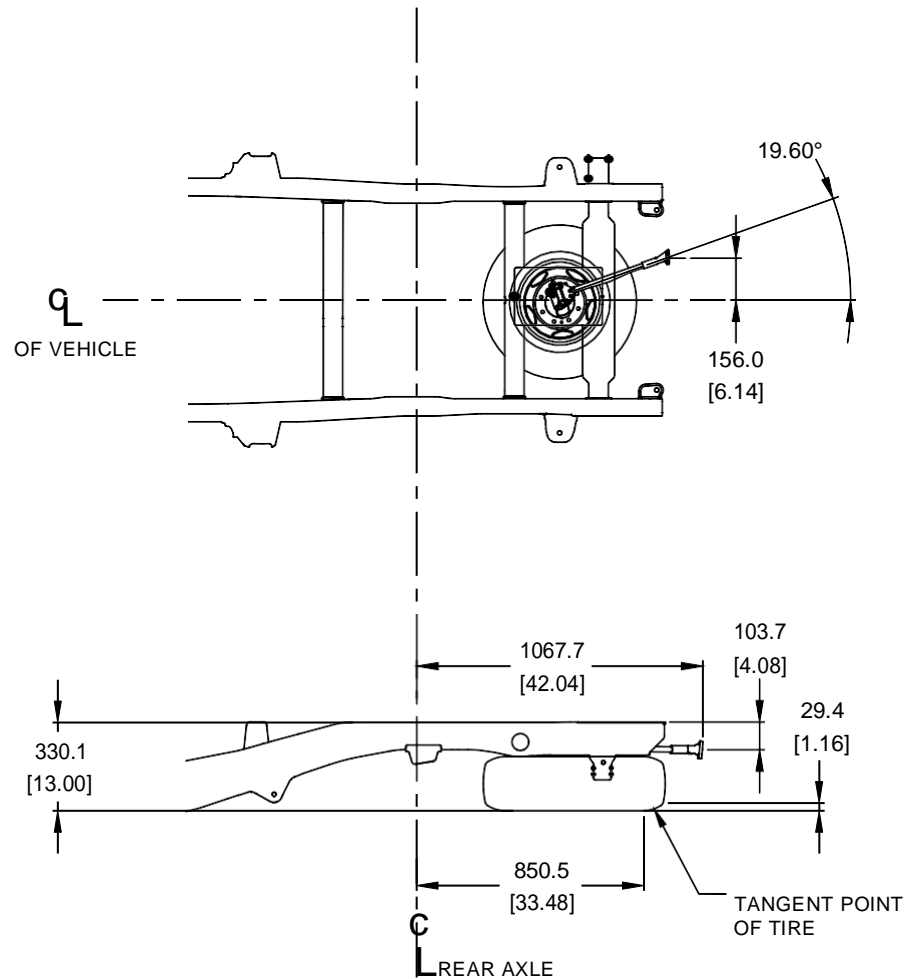
C/K 31043

[]=INCHES

ANB34864.17

Full Size C/K HD Pickups and Chassis Cabs

C/K 20/3000 Series Pickups – Spare Tire Location



SPARE TIRE TRUCK 20/3000 SERIES

[]=INCHES

ANC39360.4

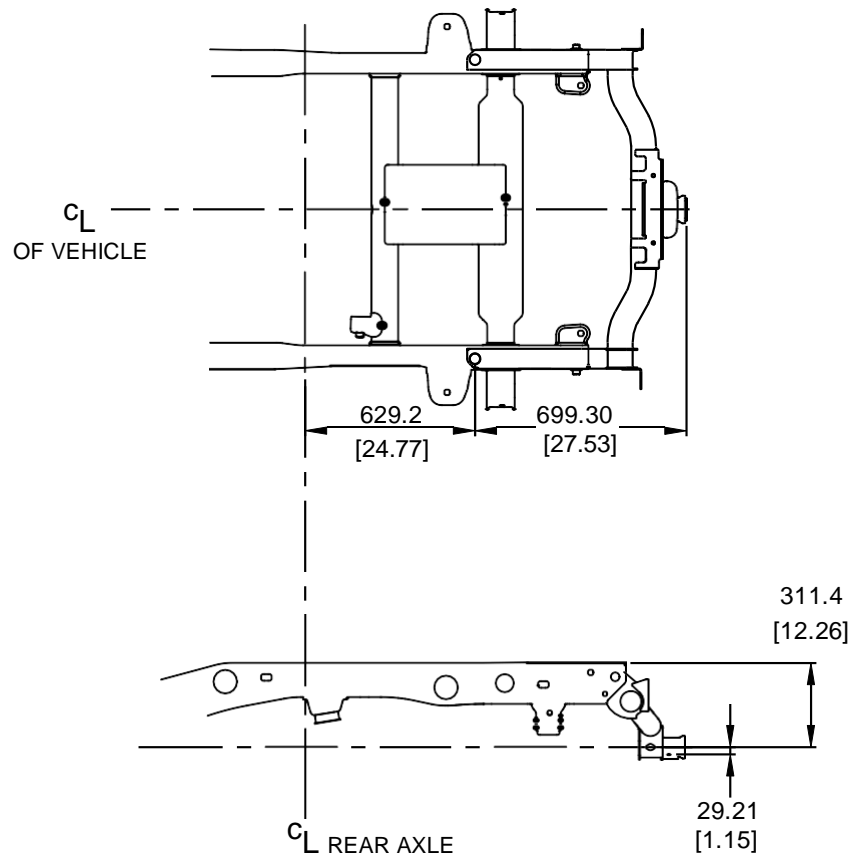
Full Size C/K HD Pickups and Chassis Cabs

C/K 20/30 (03/53/43) Platform Hitch/GCWR

2020 VEHICLE W / TRAILER RATING

SERIES	ENGINE	GCWR	TRANS-RPO
200	L8T	24,000 LBS	MYD
200	L5P	27,500 LBS	MGM
300	L8T	24,000 LBS	MYD
300	L5P	29,700 LBS	MGM
*300	L8T	24,000 LBS	MYD
*300	L5P	40,000 LBS	MGM
*310	L8T	24,000 LBS	MYD
*310	L5P	40,000 LBS	MGM

* DUAL REAR WHEEL(DRW)



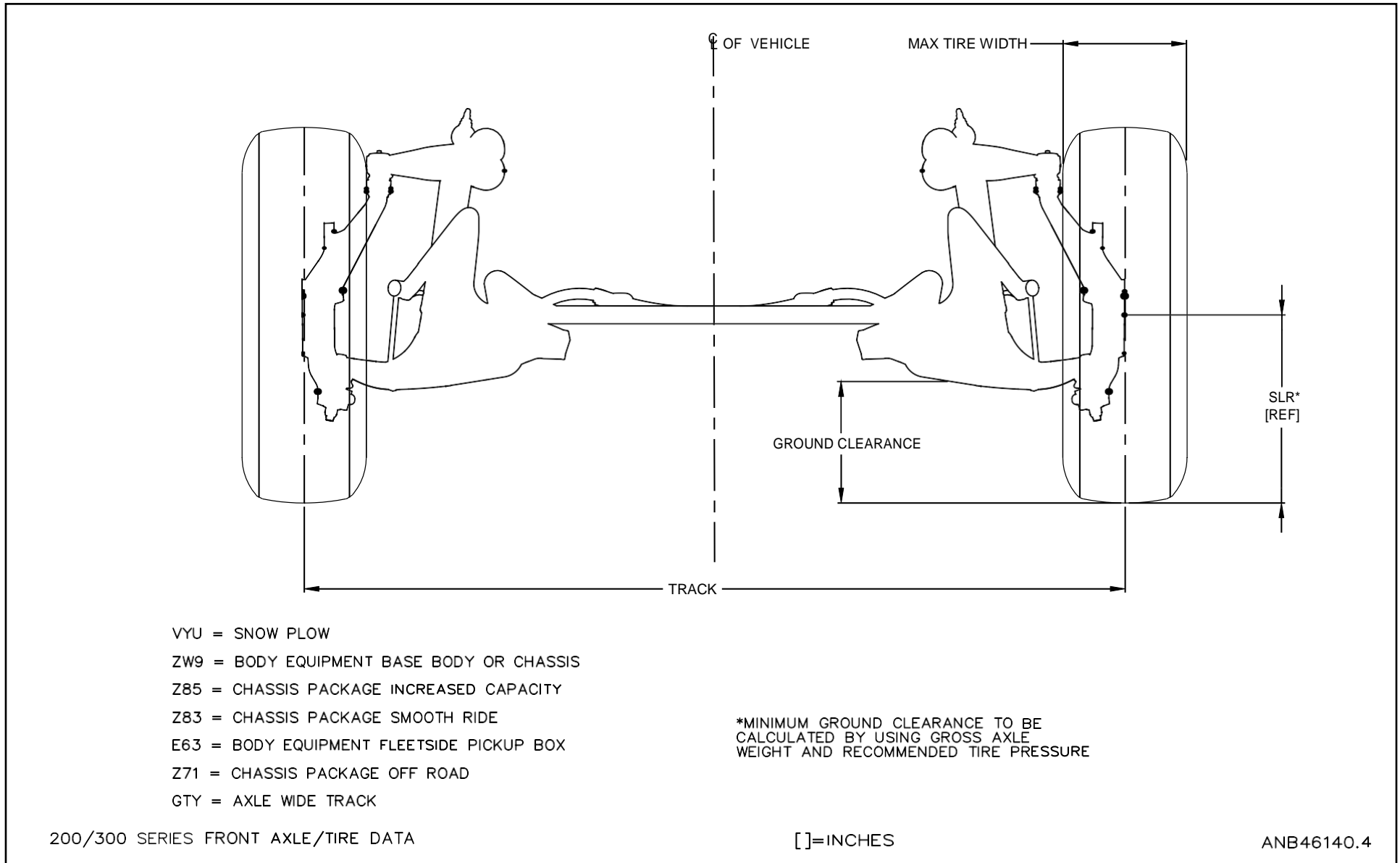
C/K 20/30 03/43/53

[]=INCHES

ANB84248.3

Full Size C/K HD Pickups and Chassis Cabs

Front Axle/Tire Data Drawing – C/K 20/30 (000) Pickups and C/K 31 (000) Chassis-Cab



Full Size C/K HD Pickups and Chassis Cabs

Front Axle/Tire Data Drawing – C/K 20/30(000) Pickups and C/K 31(000) Chassis-Cabs

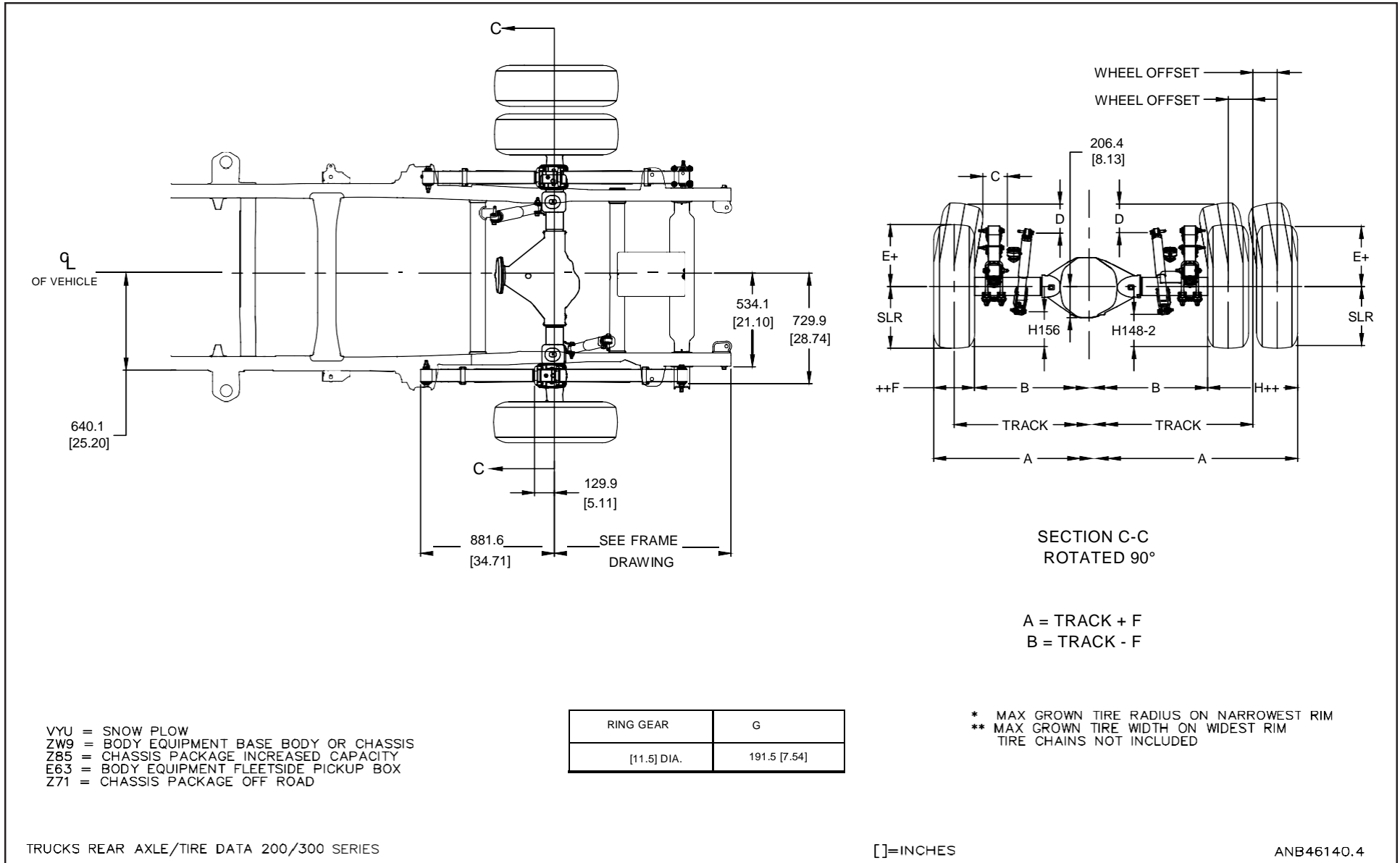
SERIES	Tire RPOs	SLR	WHEEL/AXLE					TIRE			H148-1 Ground Clearance
			Size	Offset	Rear Wheel	W102-1 Track	W101-1 Tread Width	Size	Max Width	Max GVWR	
CK20753	QH,Q,ZHQ-ALS/QXT,ZXT-AT	378/383	17x7.5	44	Single	1738	1731.4	LT245/75,265/70R17E	266/281	10,900	240
CK20743	QH,Q,ZHQ-ALS/QXT,ZXT-AT	378/383	17x7.5	44	Single	1738	1731.4	LT245/75,265/70R17E	266/281	11,050	242
CK20903	QH,Q,ZHQ-ALS/QXT,ZXT-AT	378/383	17x7.5	44	Single	1738	1731.4	LT245/75,265/70R17E	266/281	10,750	242
CK20953	QH,Q,ZHQ-ALS/QXT,ZXT-AT	378/383	17x7.5	44	Single	1738	1731.4	LT245/75,265/70R17E	266/281	11,100	239
CK20943	QH,Q,ZHQ-ALS/QXT,ZXT-AT	378/383	17x7.5	44	Single	1738	1731.4	LT245/75,265/70R17E	266/281	11,200	239
CK20753	QF6,ZYG-AT	401	18x8	44	Single	1738	1731.4	LT275/70R18E	293	10,900	240
CK20/30743	QF6,ZYG-AT	401	18x8	44	Single	1738	1731.4	LT275/70R18E	293	11,050/11,750	242/266
CK20/30903	QF6,ZYG-AT	401	18x8	44	Single	1738	1731.4	LT275/70R18E	293	10,750/11,500	242/268
CK20/30953	QF6,ZYG-AT	401	18x8	44	Single	1738	1731.4	LT275/70R18E	293	11,100/11,850	239/266
CK20/30943	QF6,ZYG-AT	401	18x8	44	Single	1738	1731.4	LT275/70R18E	293	11,200/11,900	239/265
CK20753	QF9	413	20x8.5	47	Single	1738	1731.4	LT275/65R20E	298	10,900	240
CK20/30743	QF9	413	20x8.5	47	Single	1738	1731.4	LT275/65R20E	298	11,050/11,750	242/266
CK20/30903	QF9	413	20x8.5	47	Single	1738	1731.4	LT275/65R20E	298	10,750/11,500	242/268
CK20/30953	QF9	413	20x8.5	47	Single	1738	1731.4	LT275/65R20E	298	11,100/11,850	239/266
CK20/30943	QF9	413	20x8.5	47	Single	1738	1731.4	LT275/65R20E	298	11,200/11,900	239/265
CK30903	QTZ,ZZT-AT/QQO,ZQO-ALS	384/382	17x6.5	137	Dual	1748	1741.3	LT235/80R17E	247	14,000	248
CK30953	QTZ,ZZT-AT/QQO,ZQO-ALS	384/382	17x6.5	137	Dual	1748	1741.3	LT235/80R17E	247	14,000	246
CK30943	QTZ,ZZT-AT/QQO,ZQO-ALS	384/382	17x6.5	137	Dual	1748	1741.3	LT235/80R17E	247	14,000	246
CK31003	QTZ,ZZT-AT/QQO,ZQO-ALS	384/382	17x6.5	137	Dual	1748	1741.3	LT235/80R17E	247	14,000	244
CK31043	QTZ,ZZT-AT/QQO,ZQO-ALS	384/382	17x6.5	137	Dual	1748	1741.3	LT235/80R17E	247	14,000	243
CK31403	QTZ,ZZT-AT/QQO,ZQO-ALS	384/382	17x6.5	137	Dual	1748	1741.3	LT235/80R17E	247	6	242

SLR = C/L FRONT Axle at EPA (Avg of Min/Max Curb, base equipment)

METRIC CONVERSION TO INCHES
MM / 25.4 = INCHES

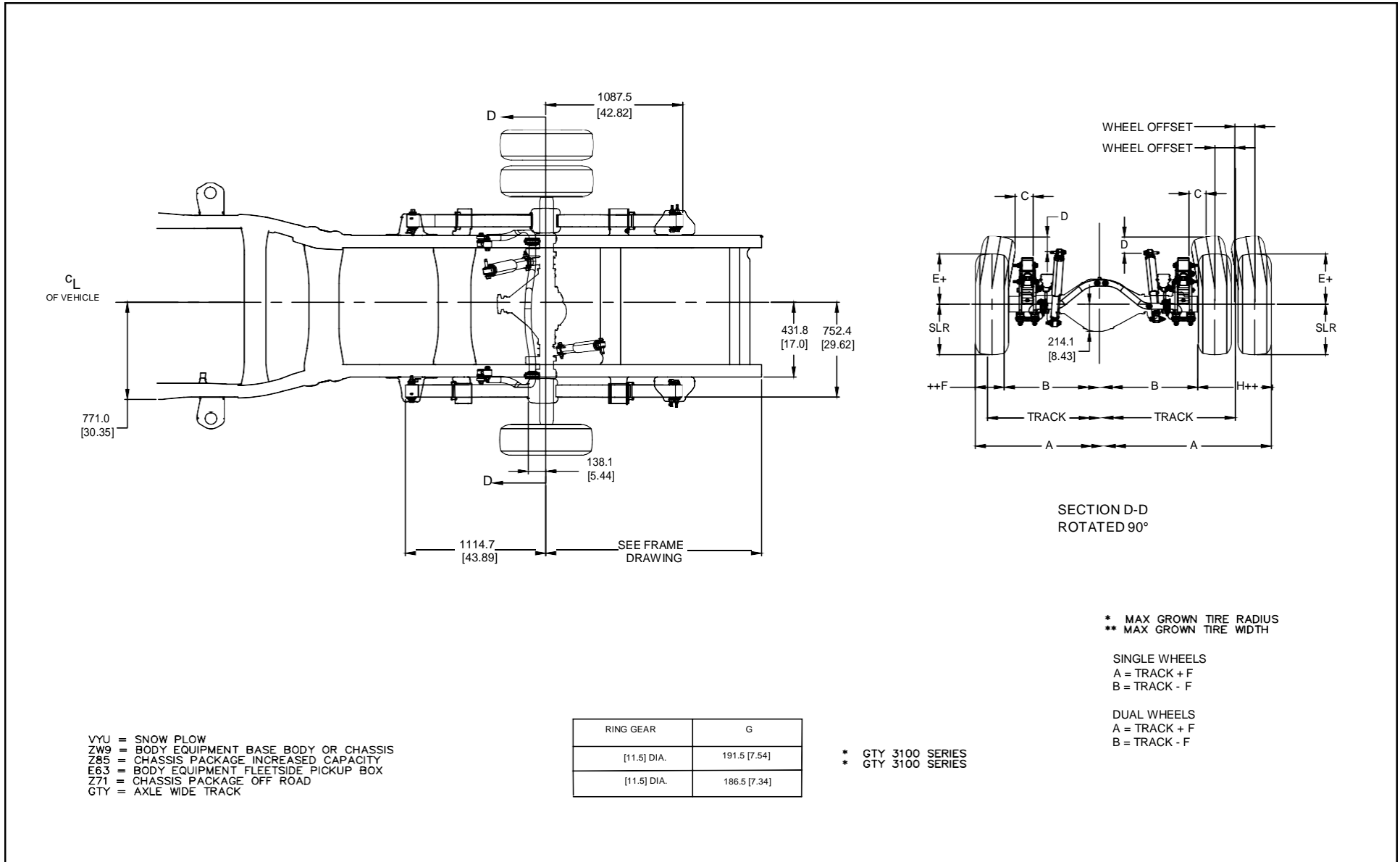
Full Size C/K HD Pickups and Chassis Cabs

Rear Axle/Tire Data Drawing – C/K 20/30(000) Pickups



Full Size C/K HD Pickups and Chassis Cabs

Rear Axle/Tire Data Drawing – C/K 31(000) Chassis Cab



Full Size C/K HD Pickups and Chassis Cabs

Rear Axle/Tire Data Chart – C/K 20/30(000) Pickups & Chassis Cab

SERIES	Tire RPOs	SLR	WHEEL/AXLE					TIRE			JOUNCE					GROUND		
			Size	Offset	Rear Wheel	W102-2 Track	W101-2 Max Tread	Size	F' Max Width	Max GVWR	B' / wGTy	C' / wGTy	D'	E'	H'	H148-2	H156	H E'
CK20753	QHQ,ZHQ-ALS/QXT,ZXT-AT	378/383	17x7.5	44	Single	1736	1736	LT245/75,265/70R17E	266/281	10,900	1452	142.6	199.5	399.5	n/a	198	259	860
CK20743	QHQ,ZHQ-ALS/QXT,ZXT-AT	378/383	17x7.5	44	Single	1736	1736	LT245/75,265/70R17E	266/281	11,050	1452	142.6	199.5	399.5	n/a	197	257	860
CK20903	QHQ,ZHQ-ALS/QXT,ZXT-AT	378/383	17x7.5	44	Single	1736	1736	LT245/75,265/70R17E	266/281	10,750	1452	142.6	199.5	399.5	n/a	199	259	860
CK20953	QHQ,ZHQ-ALS/QXT,ZXT-AT	378/383	17x7.5	44	Single	1736	1736	LT245/75,265/70R17E	266/281	11,100	1452	142.6	199.5	399.5	n/a	220	200	860
CK20943	QHQ,ZHQ-ALS/QXT,ZXT-AT	378/383	17x7.5	44	Single	1736	1736	LT245/75,265/70R17E	266/281	11,200	1452	142.6	199.5	399.5	n/a	197	257	860
CK20753	QF6,ZYG-AT	401	18x8	44	Single	1736	1736	LT275/70R18E	293	10,900	1427	TBD	TBD	TBD	n/a	TBD	TBD	879
CK20/30743	QF6,ZYG-AT	401	18x8	44	Single	1736	1736	LT275/70R18E	293	11,050/11,750	1427	TBD	TBD	TBD	n/a	TBD	TBD	879
CK20/30903	QF6,ZYG-AT	401	18x8	44	Single	1736	1736	LT275/70R18E	293	10,750/11,500	1427	TBD	TBD	TBD	n/a	TBD	TBD	879
CK20/30953	QF6,ZYG-AT	401	18x8	44	Single	1736	1736	LT275/70R18E	293	11,100/11,850	1427	TBD	TBD	TBD	n/a	TBD	TBD	879
CK20/30943	QF6,ZYG-AT	401	18x8	44	Single	1736	1736	LT275/70R18E	293	11,200/11,900	1427	TBD	TBD	TBD	n/a	TBD	TBD	879
CK20753	QF9	413	20x8.5	47	Single	1736	1736	LT275/65R20E	298	10,900	1411	TBD	TBD	TBD	n/a	TBD	TBD	892
CK20/30743	QF9	413	20x8.5	47	Single	1736	1736	LT275/65R20E	298	11,050/11,750	1411	TBD	TBD	TBD	n/a	TBD	TBD	892
CK20/30903	QF9	413	20x8.5	47	Single	1736	1736	LT275/65R20E	298	10,750/11,500	1411	TBD	TBD	TBD	n/a	TBD	TBD	892
CK20/30953	QF9	413	20x8.5	47	Single	1736	1736	LT275/65R20E	298	11,100/11,850	1411	TBD	TBD	TBD	n/a	TBD	TBD	892
CK20/30943	QF9	413	20x8.5	47	Single	1736	1736	LT275/65R20E	298	11,200/11,900	1411	TBD	TBD	TBD	n/a	TBD	TBD	892
CK30903	QTZ,ZZT-AT/QQO,ZQO-ALS	384/382	17x6.5	137	Dual	1904.7	1904.7	LT235/80R17E	247	14,000	1385.8	109.5	187.8	403.8	519	205	264	881
CK30953	QTZ,ZZT-AT/QQO,ZQO-ALS	384/382	17x6.5	137	Dual	1904.7	1904.7	LT235/80R17E	247	14,000	1385.8	109.5	187.8	403.8	519	205	264	881
CK30943	QTZ,ZZT-AT/QQO,ZQO-ALS	384/382	17x6.5	137	Dual	1904.5	1904.5	LT235/80R17E	247	14,000	1385.8	109.5	187.8	403.8	519	205	264	881
CK31003	QTZ,ZZT-AT/QQO,ZQO-ALS	384/382	17x6.5	137	Dual	1745.5	1745.5	LT235/80R17E	247	14,000	1226.5/1385.8	141.5/221	216	403.8	519	207	261	892
CK31043	QTZ,ZZT-AT/QQO,ZQO-ALS	384/382	17x6.5	137	Dual	1745.5	1745.5	LT235/80R17E	247	14,000	1226.5/1385.8	141.5/221	216	403.8	519	207	261	879
CK31403	QTZ,ZZT-AT/QQO,ZQO-ALS	384/382	17x6.5	137	Dual	1745.5	1745.5	LT235/80R17E	247	14,000	1226.5/1385.8	141.5/221	216	403.8	519	207	261	886

*W/Diesel

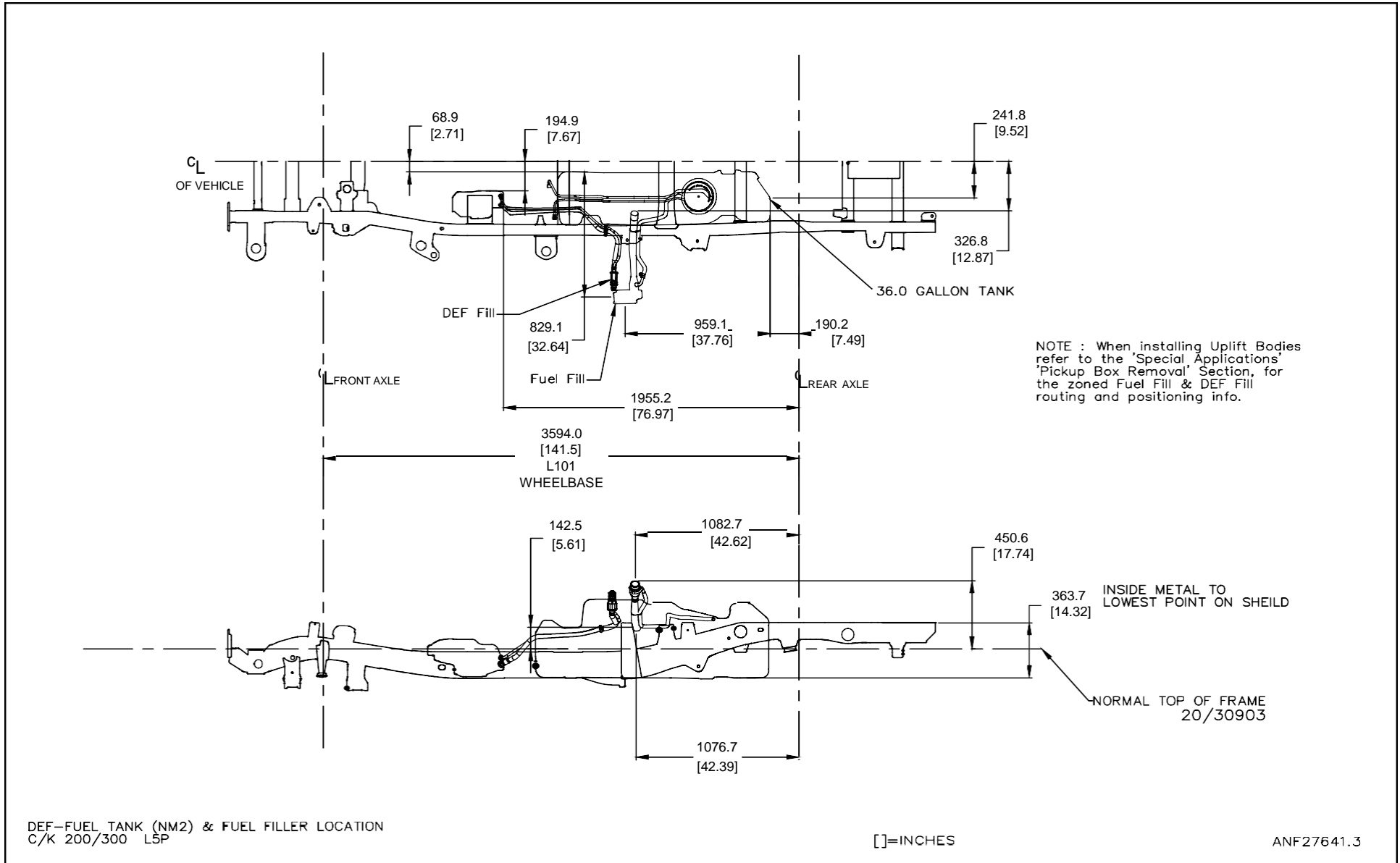
HE = REAR `Top of Frame' Max Curb (base equipment)

SLR = C/L REAR Axle at EPA (Avg of Min/Max Curb, base equipment)

METRIC CONVERSION TO INCHES
MM / 25.4 = INCHES

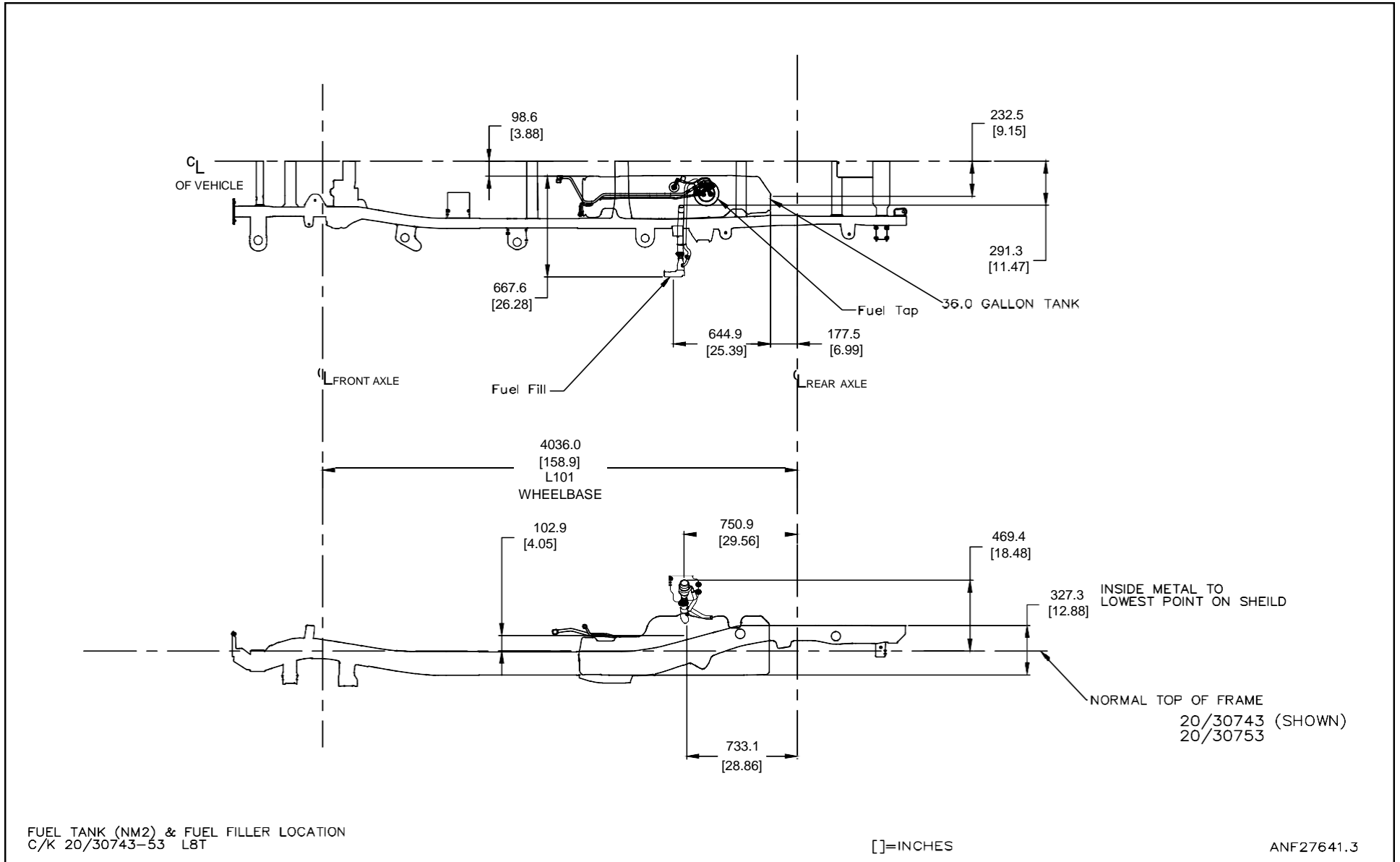
Full Size C/K HD Pickups and Chassis Cabs

DEF – Fuel Tanks (NM2) & Filler Location C/K 20/30903 L5P (Diesel) Pickup



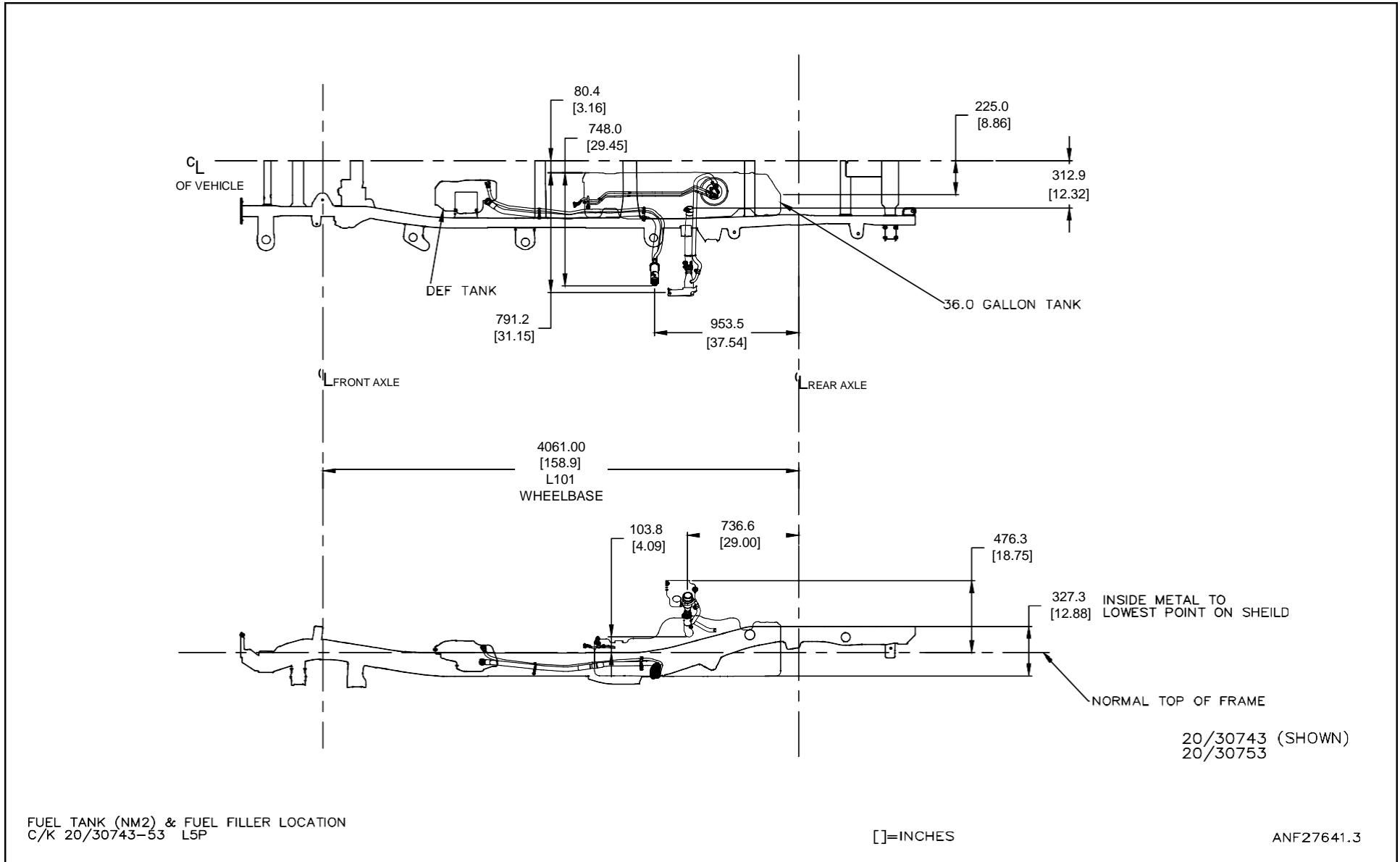
Full Size C/K HD Pickups and Chassis Cabs

Fuel Tanks (NM2) & Filler Locations C/K 20/30743-53 L8T (Gas) Pickup



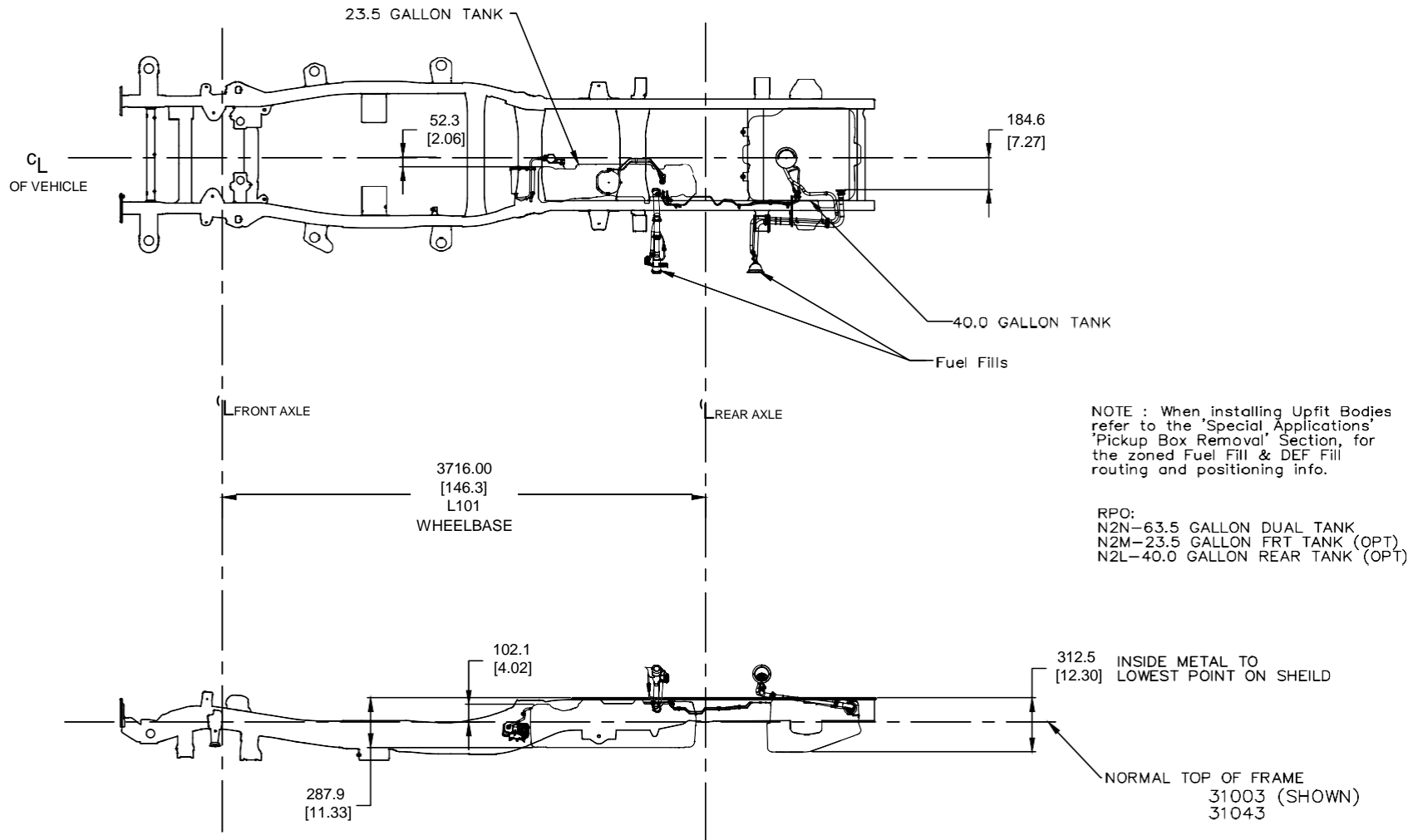
Full Size C/K HD Pickups and Chassis Cabs

DEF – Fuel Tanks (NM2) & Filler Locations C/K 20/30743-53 L5P (Diesel) Pickup



Full Size C/K HD Pickups and Chassis Cabs

Fuel Tank (N2N) & Filler Locations C/K 31003/043 L8T (Gas) Chassis Cab



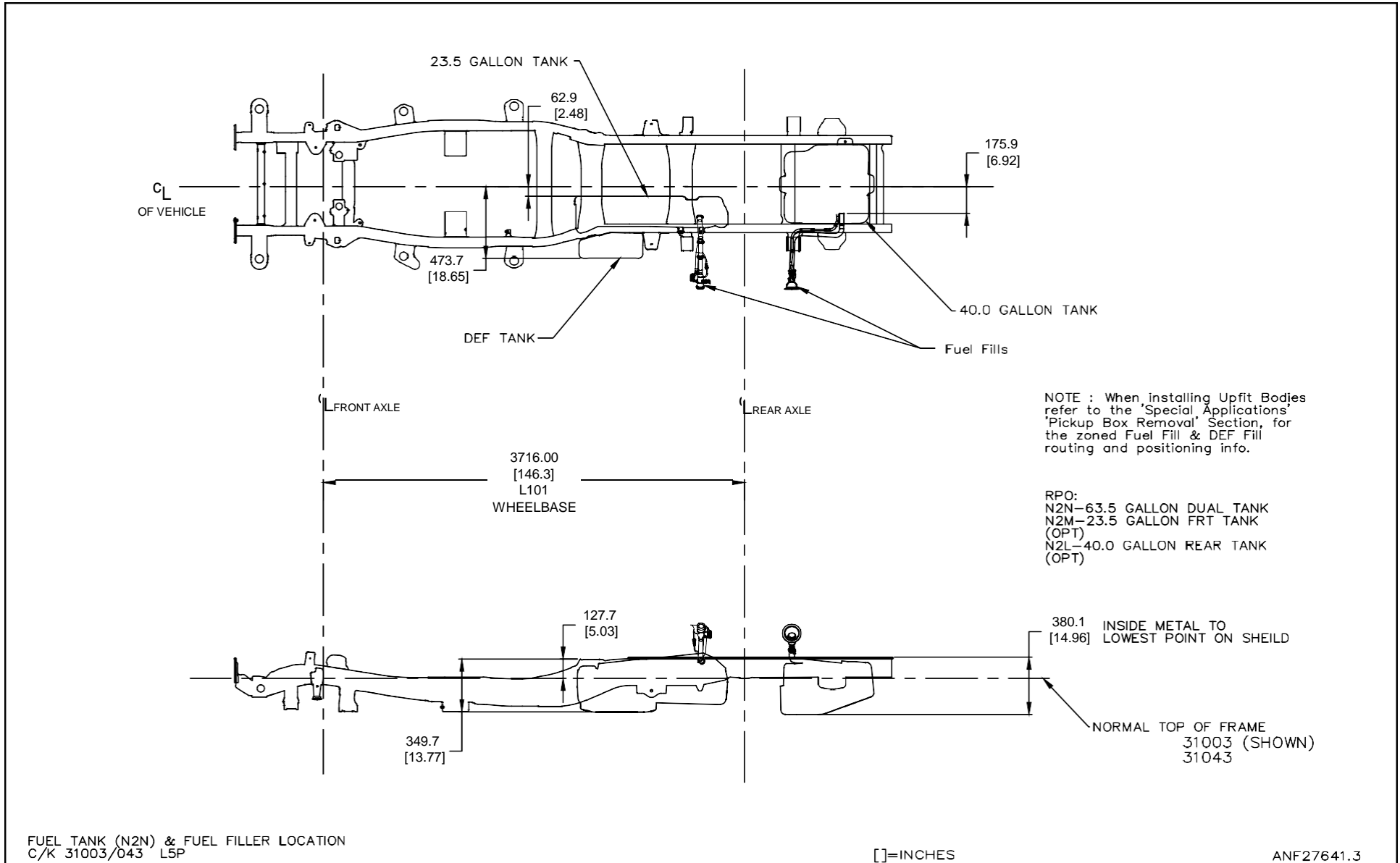
FUEL TANK (N2N) & FUEL FILLER LOCATION
C/K 31003/043 L8T

[]=INCHES

ANF27641.3

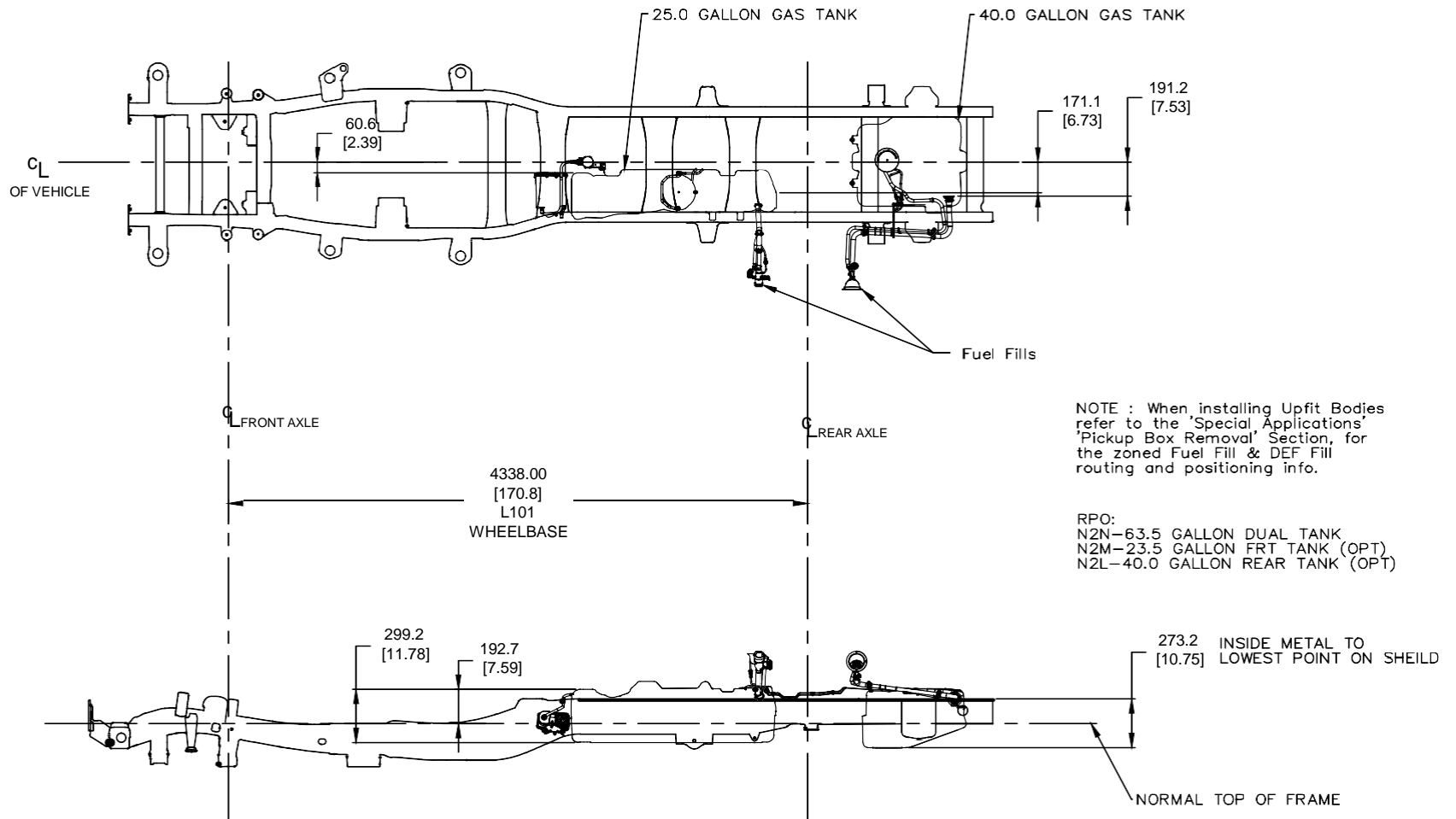
Full Size C/K HD Pickups and Chassis Cabs

DEF – Fuel Tank (N2N) & Filler Locations C/K 31003/043 L5P (Diesel) Chassis Cab



Full Size C/K HD Pickups and Chassis Cabs

Fuel Tank (N2N) & Filler Locations C/K 31403 L8T (Gas) Chassis Cab



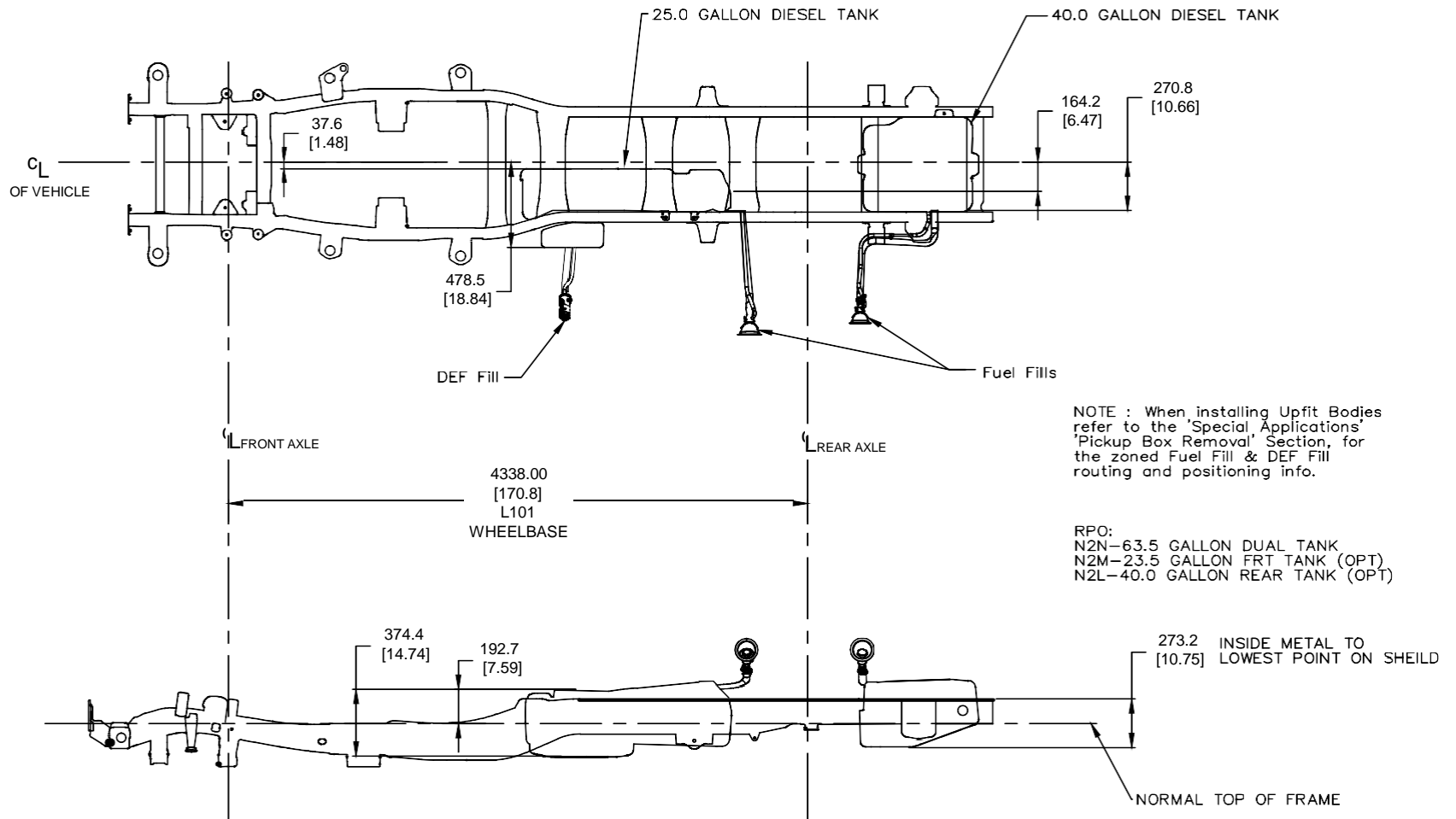
FUEL TANK (N2N) & FUEL FILLER LOCATION
 C/K 31403 L8T(GAS)

[]=INCHES

ANF27641.3

Full Size C/K HD Pickups and Chassis Cabs

DEF – Fuel Tank (N2N) & Filler Locations C/K 31403 L5P (Diesel) Chassis Cab



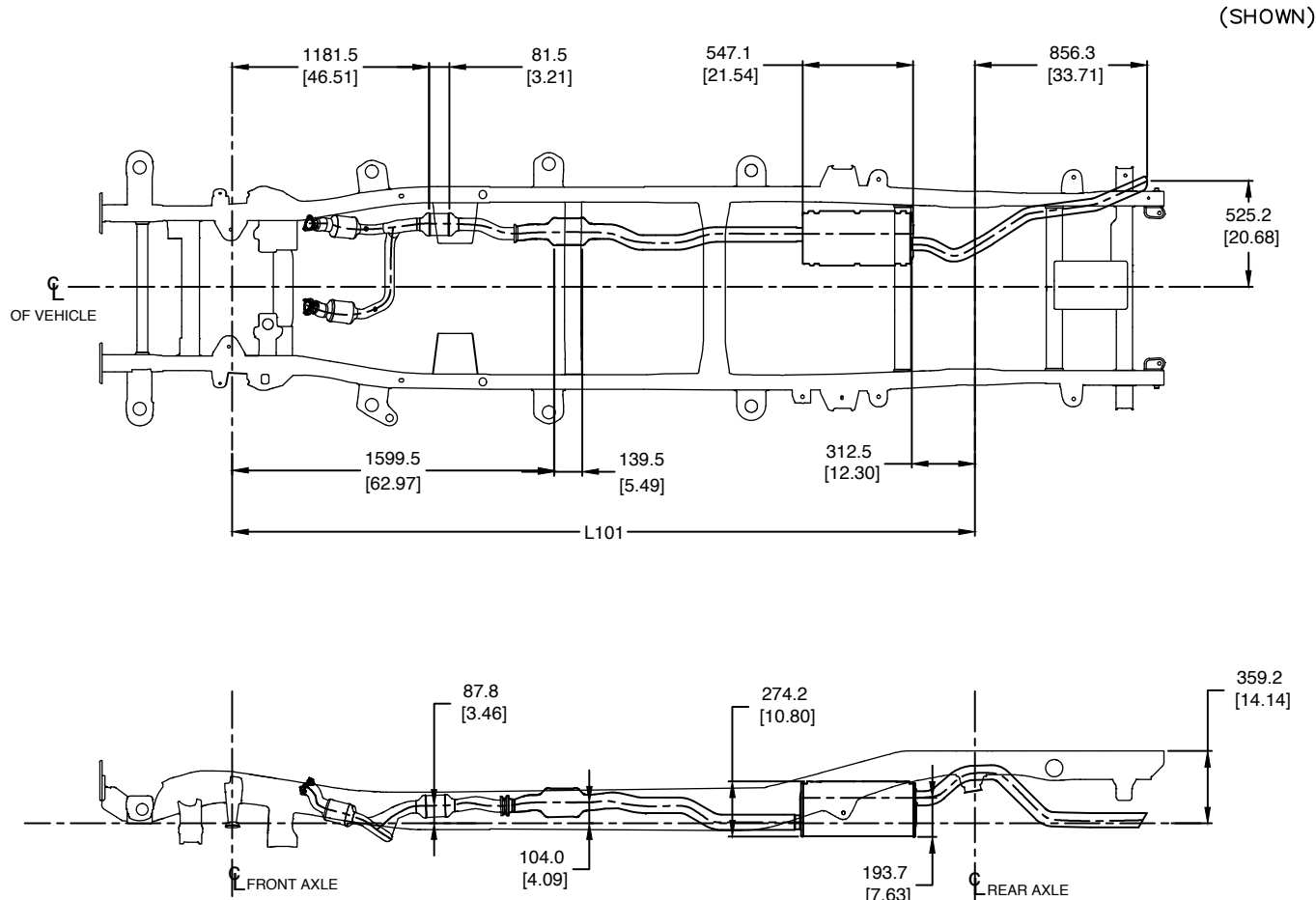
FUEL TANK (N2N) & FUEL FILLER LOCATION
 C/K 31403 L5P(DIESEL)

[]=INCHES

ANF27641.3

FULL SIZE C/K HD PICKUPS AND CHASSIS-CABS

Exhaust System L8T (Gas) C/K 20/30 Series Pickups



(SHOWN)

MODEL	L101
CK 207 53	3795 (149.4)
CK 207,307 43	4036 (158.9)
CK 209,309 03	3594 (141.5)
CK 209,309 43	4369 (172.0)
CK 209/309 53	4128 (162.5)

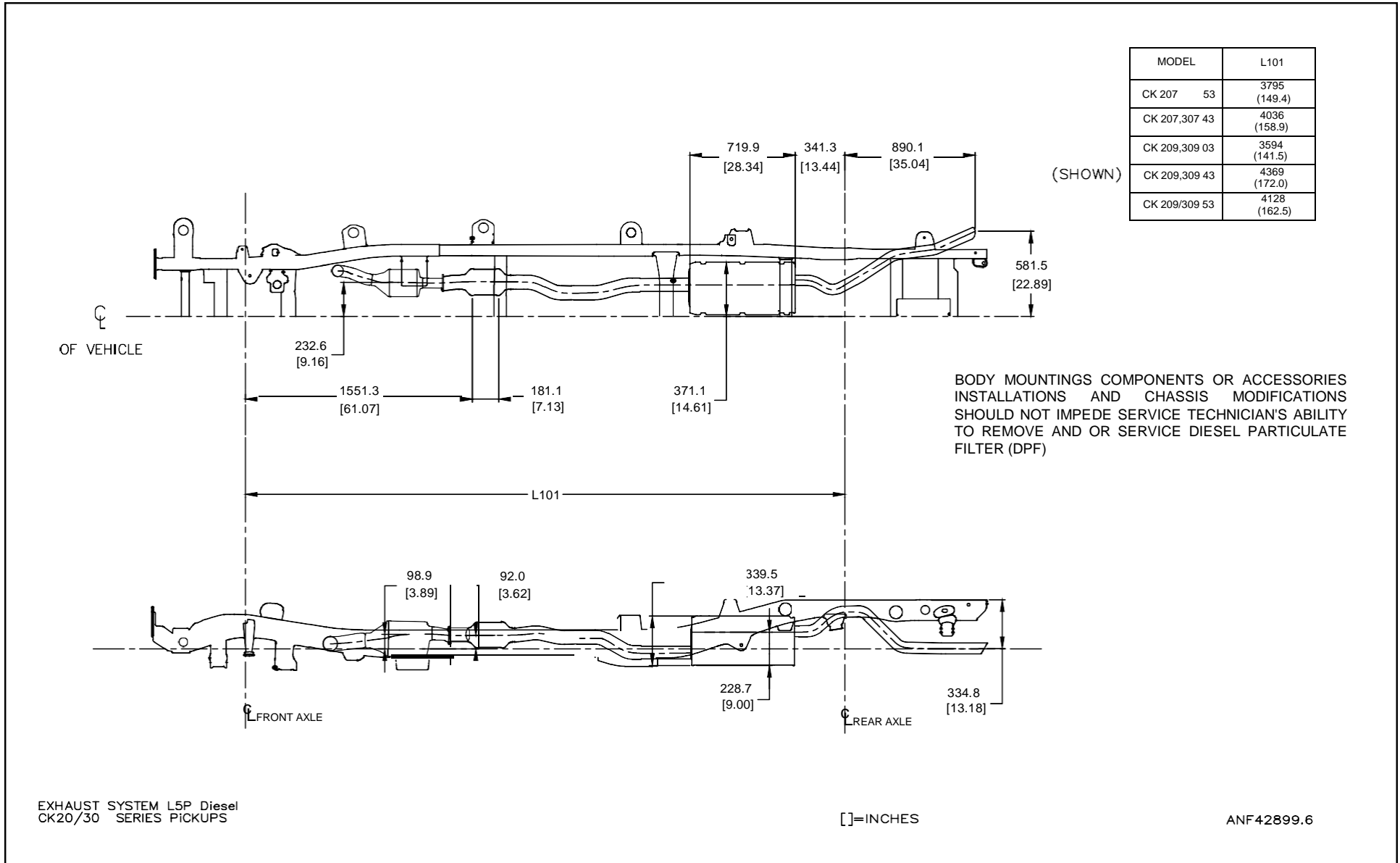
EXHAUST SYSTEM L8T
CK20/30 SERIES PICKUPS

[]=INCHES

ANF42899.6

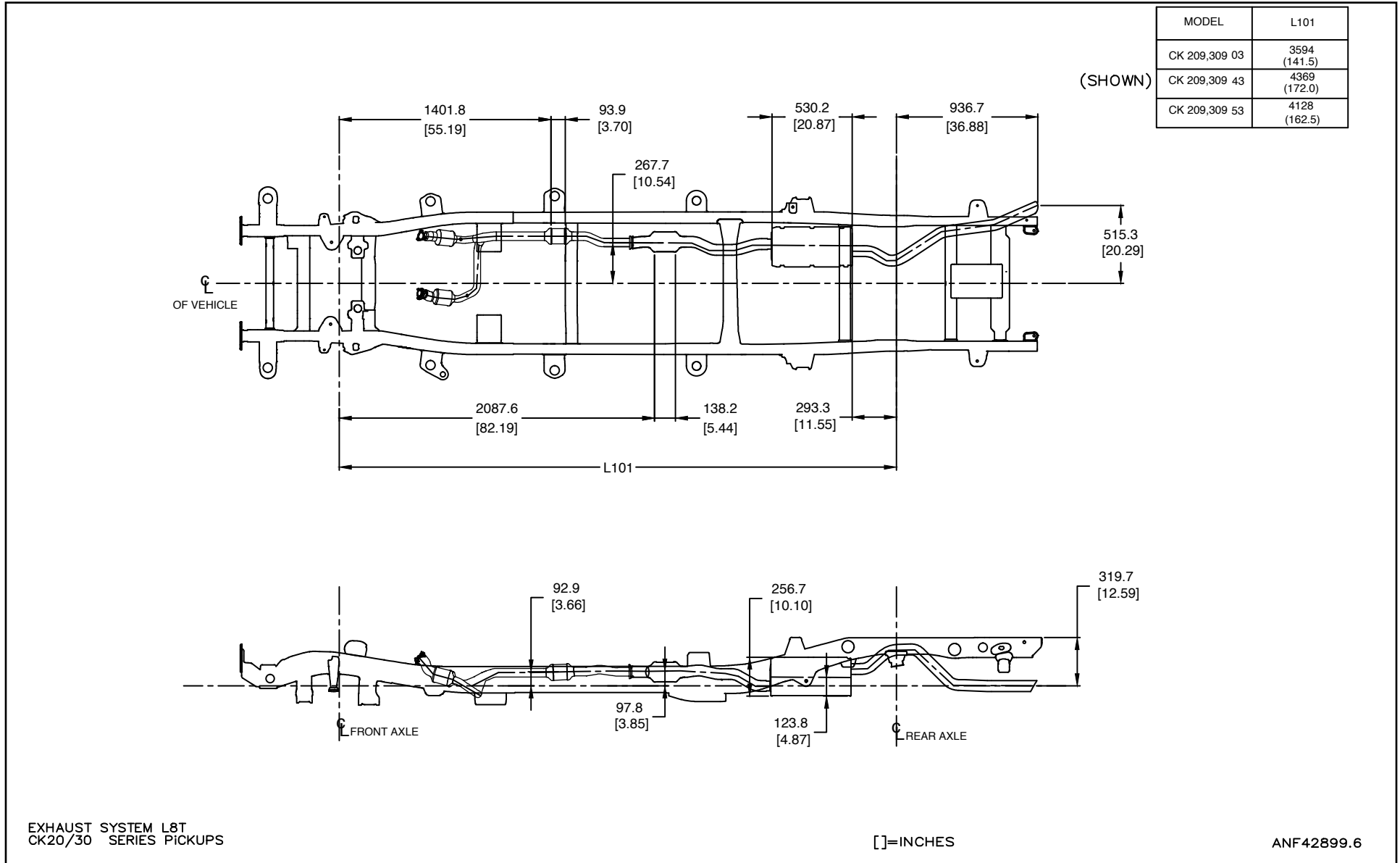
Full Size C/K HD Pickups and Chassis Cabs

Exhaust System L5P (Diesel) C/K 20/30 Series Pickups



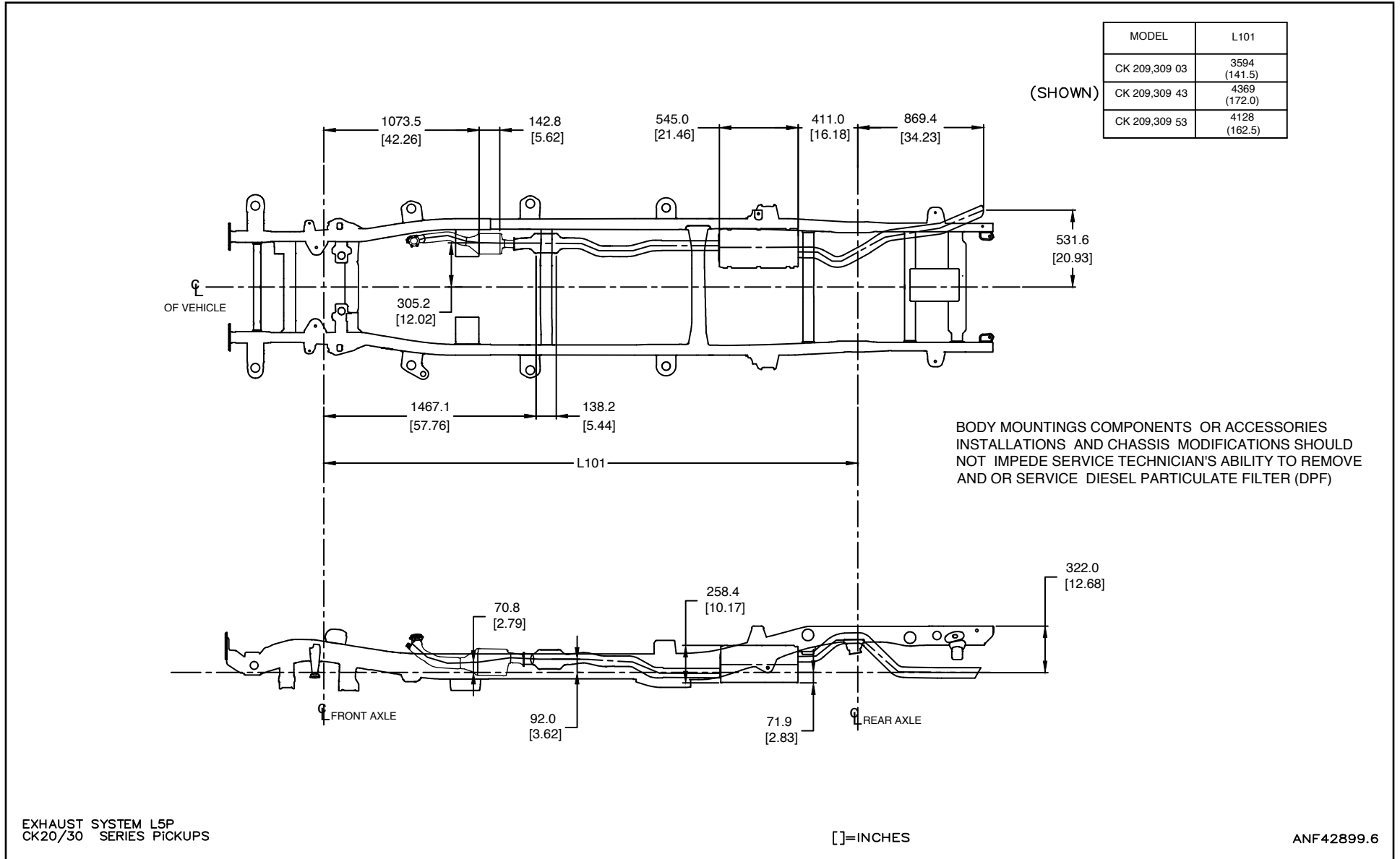
FULL SIZE C/K HD PICKUPS AND CHASSIS-CABS

Exhaust System L8T (Gas) C/K 20/30 Series (ZW9) Pickups



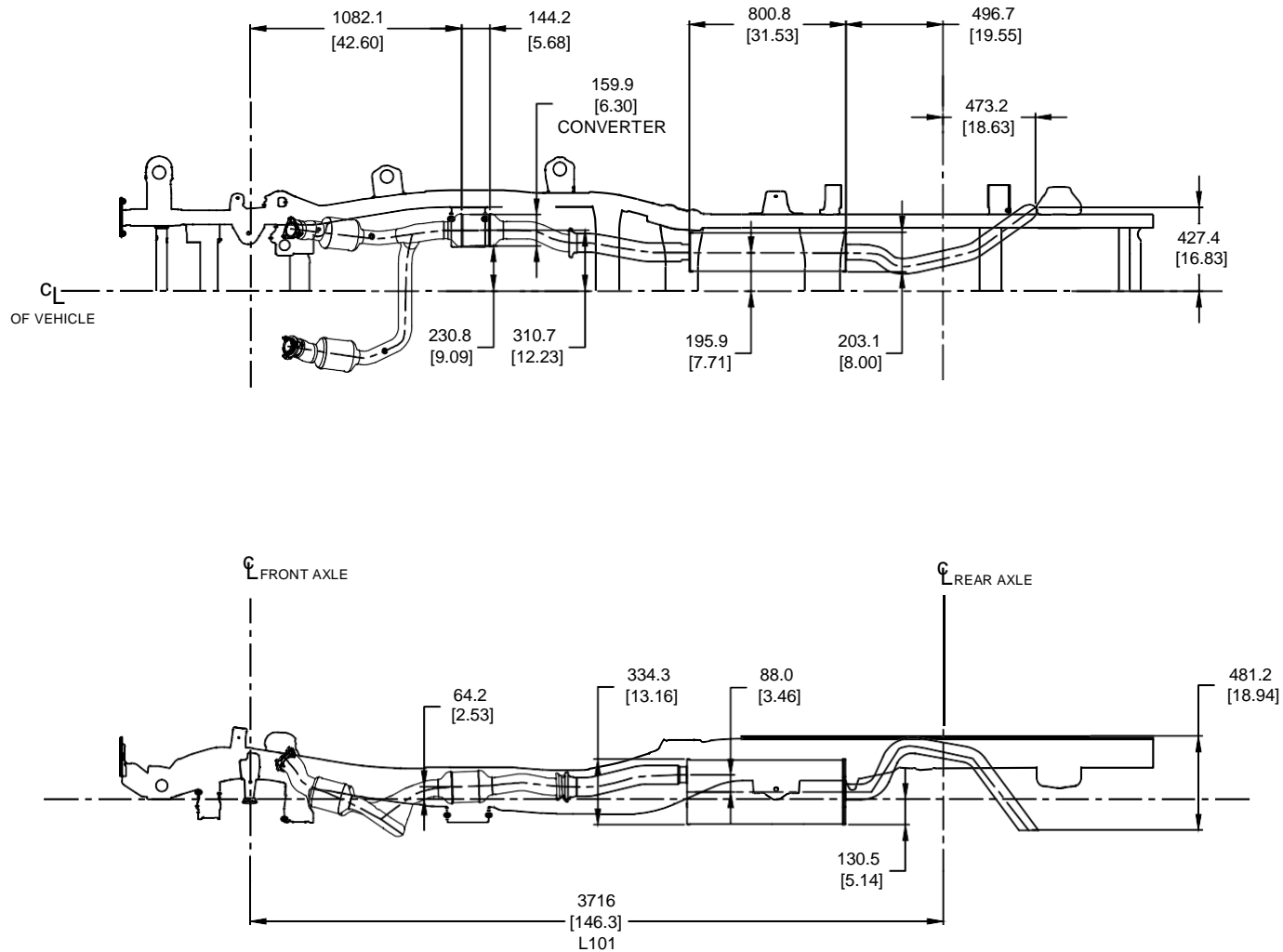
FULL SIZE C/K HD PICKUPS AND CHASSIS-CABS

Exhaust System L5P (Diesel) C/K 20/30 Series (ZW9) Pickups



Full Size C/K HD Pickups and Chassis Cabs

Exhaust System L8T (Gas) C/K 31003 Series Chassis Cab



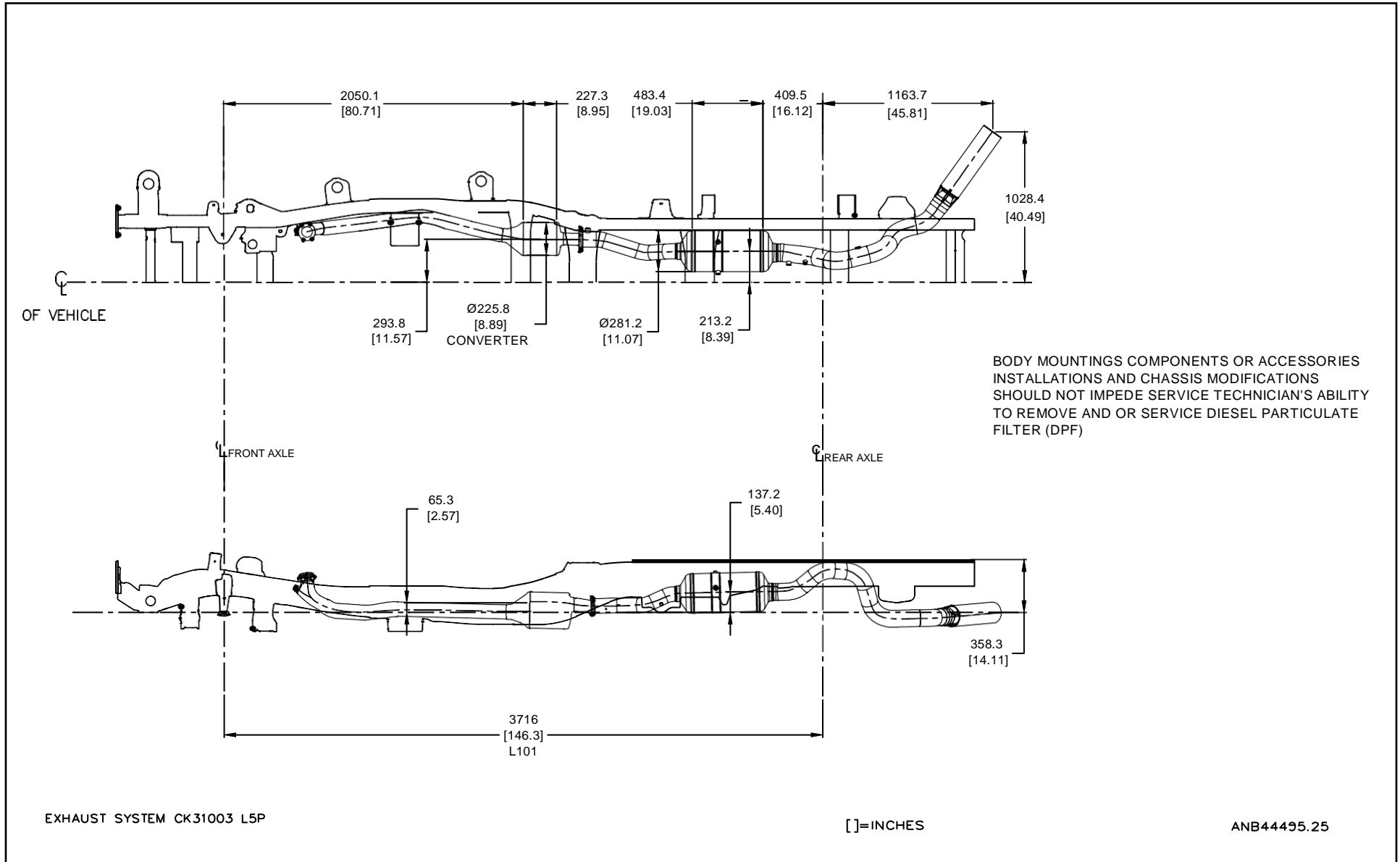
EXHAUST SYSTEM CK 31003 L8T

[]=INCHES

ANB44495.

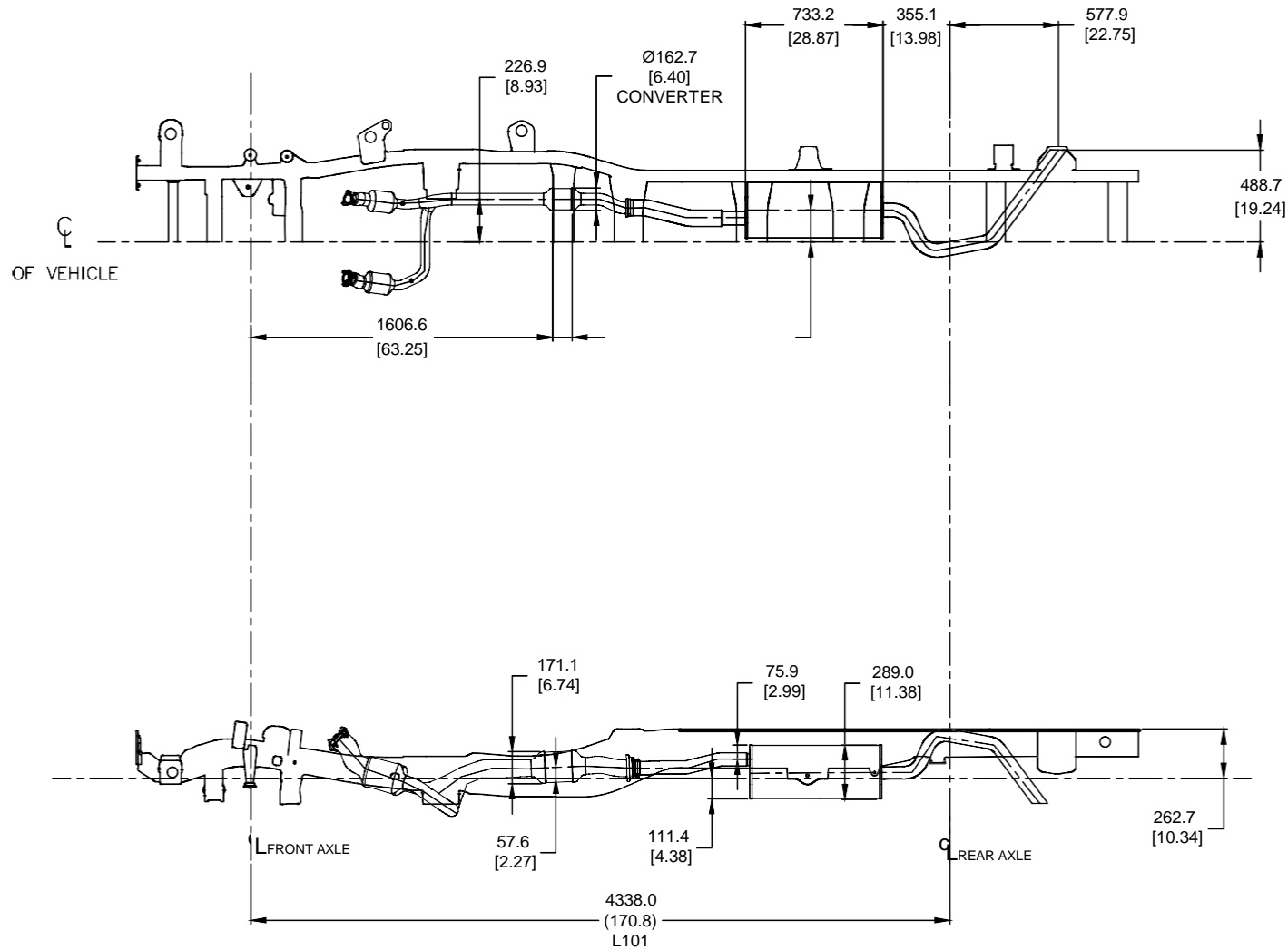
Full Size C/K HD Pickups and Chassis Cabs

Exhaust System L5P (Diesel) C/K 31003 Series Chassis Cab



Full Size C/K HD Pickups and Chassis Cabs

Exhaust System L8T (Gas) C/K 31403 Series Chassis Cab



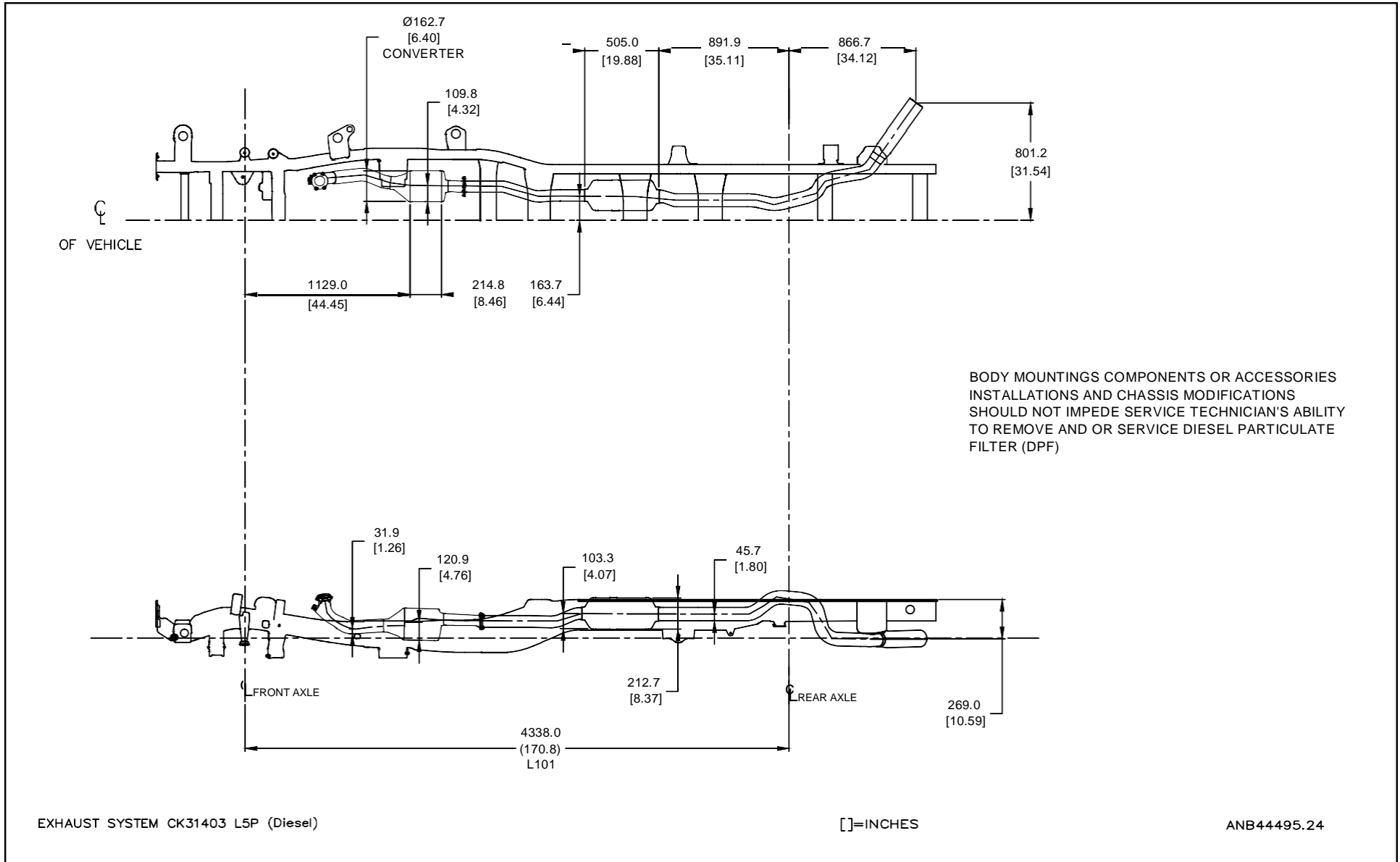
EXHAUST SYSTEM CK31403 L8T (GAS)

[]=INCHES

ANB44495.27

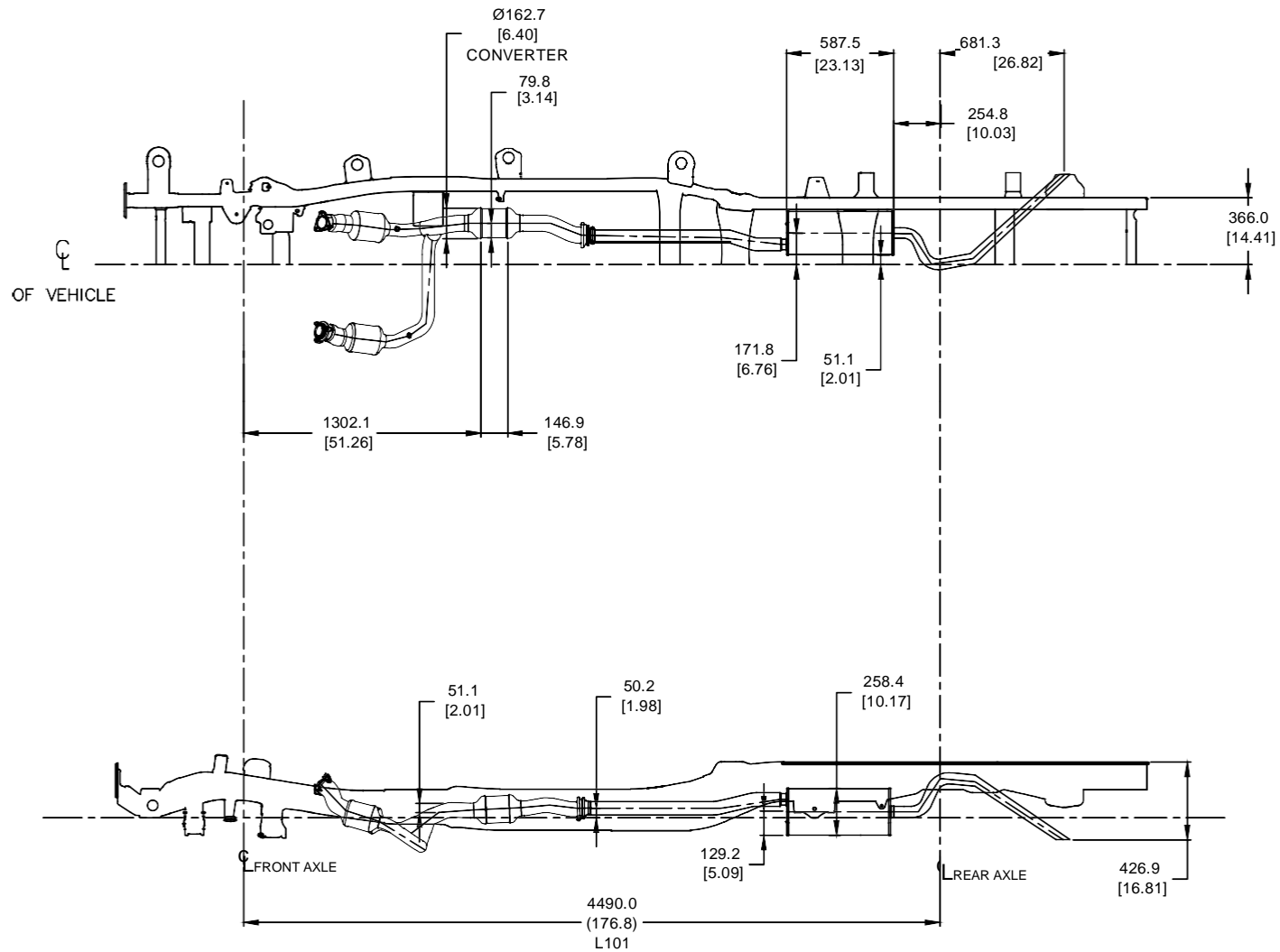
Full Size C/K HD Pickups and Chassis Cabs

Exhaust System L5P (Diesel) C/K 31403 Series Chassis Cab



Full Size C/K HD Pickups and Chassis Cabs

Exhaust System L8T (Gas) C/K 31403 Series Chassis Cab



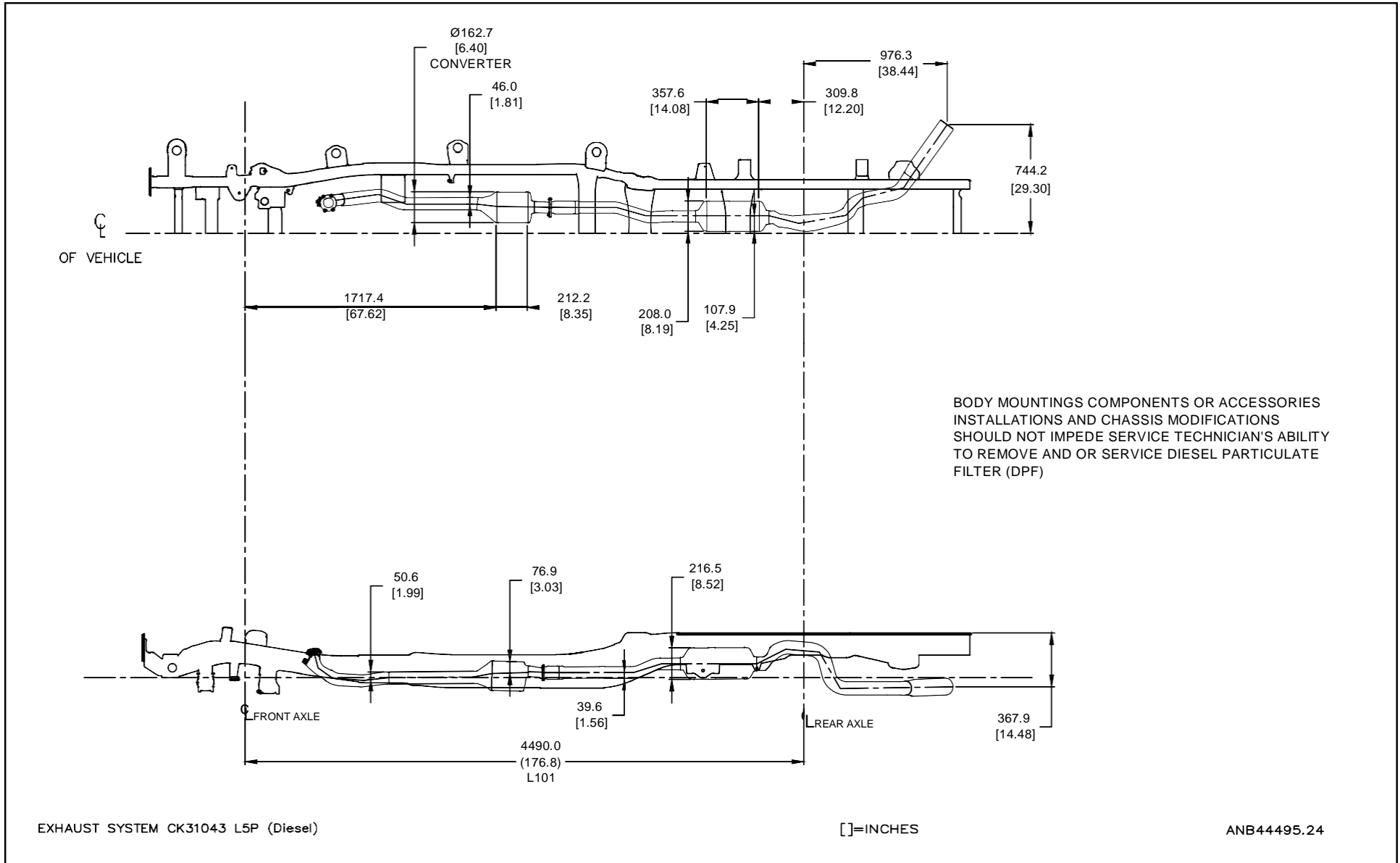
EXHAUST SYSTEM CK31043 L8T (Diesel)

[]=INCHES

ANB44495.24

Full Size C/K HD Pickups and Chassis Cabs

Exhaust System L5P (Diesel) C/K 31403 Series Chassis Cab



Full Size C/K HD Pickups and Chassis Cabs

Integrated – PTO 20/30 Series (MGU) Pickups & Chassis Cab

