

Front Wheelhouse Liner Replacement Procedures:

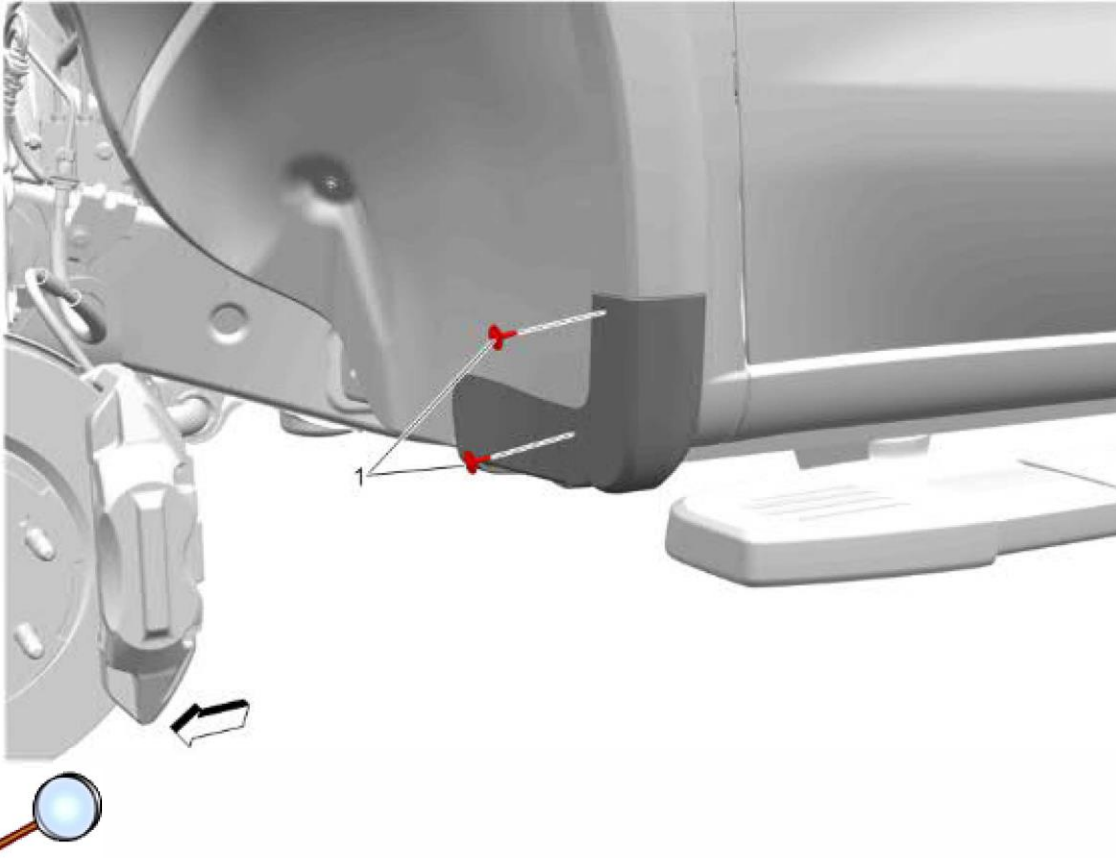
Table of Contents

Front Wheelhouse Liner Replacement Silverado (with ZR2)	2
Removal Procedure	2
Installation Procedure.....	5
Front Wheelhouse Liner Replacement Silverado LD (without ZR2)	8
Removal Procedure	8
Installation Procedure.....	10
Front Wheelhouse Liner Replacement – Sierra LD.....	12
Remova Procedure	12
Installation Procedure.....	14
Front Wheelhouse Liner Replacement Chevrolet Silverado HD.....	16
Remova Procedure	16
Installation Procedure.....	19
Front Wheelhouse Liner Replacement – GMC Sierra HD.....	21
Removal Procedure	21
Installation Procedure.....	22

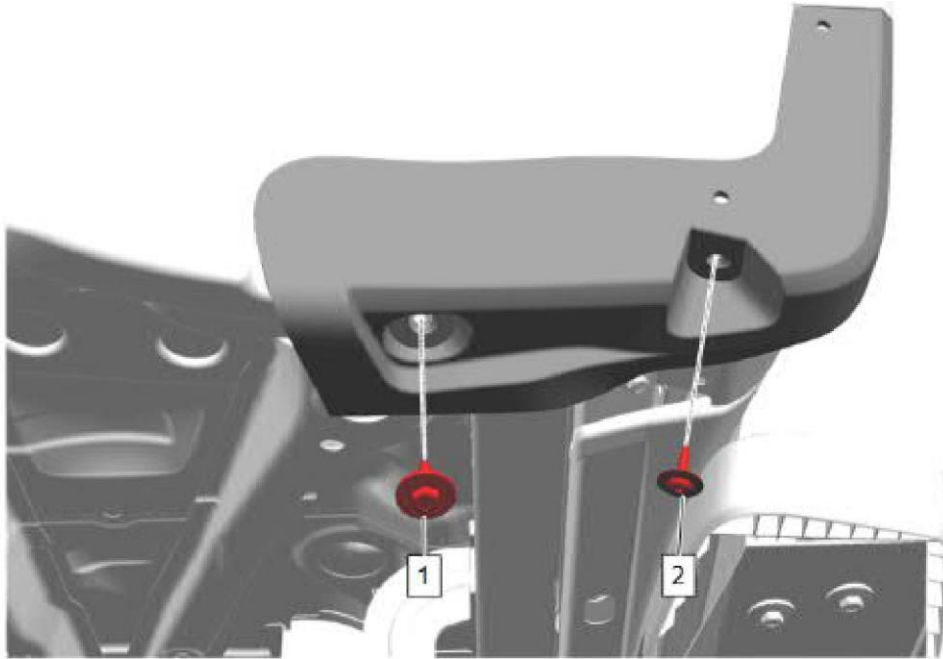
Front Wheelhouse Liner Replacement Silverado (with ZR2)

Removal Procedure

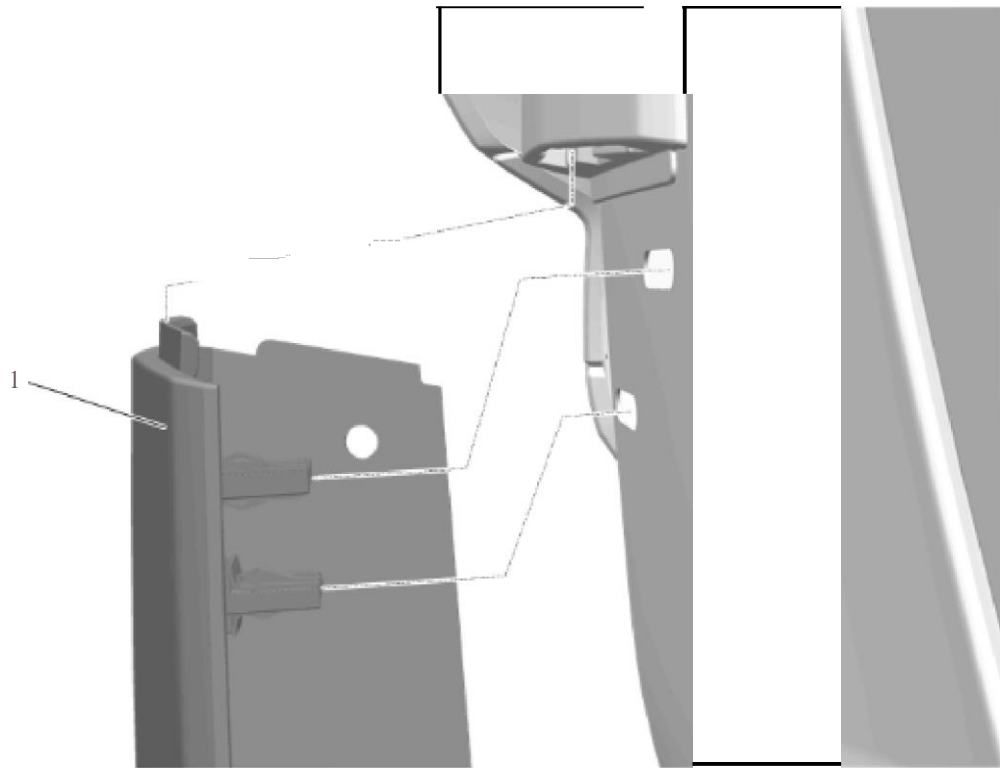
1. Remove the tire and wheel assembly. [Tire and Wheel Removal and Installation](#)



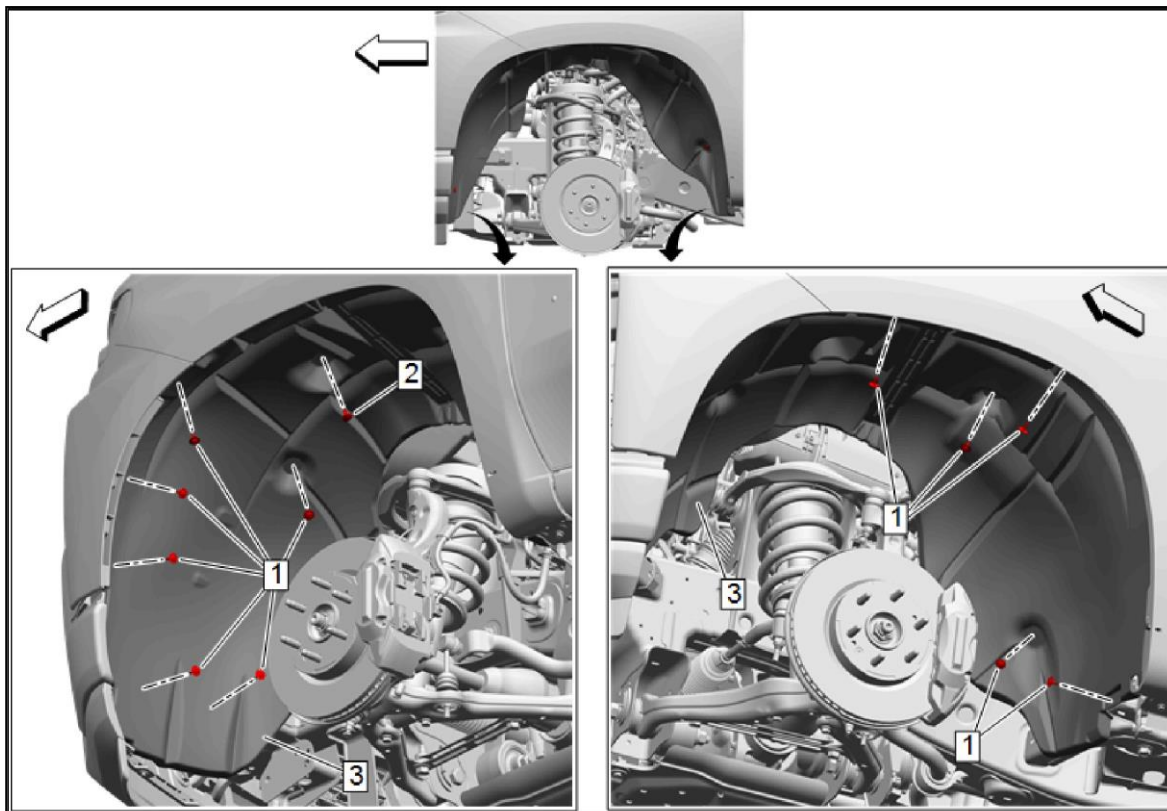
2. Front Fender Paint Protector Bolt (1) » Remove [2x]



3. Front Fender Paint Protector Bolt (1) » Remove
4. Front Fender Paint Protector Bolt (2) » Remove

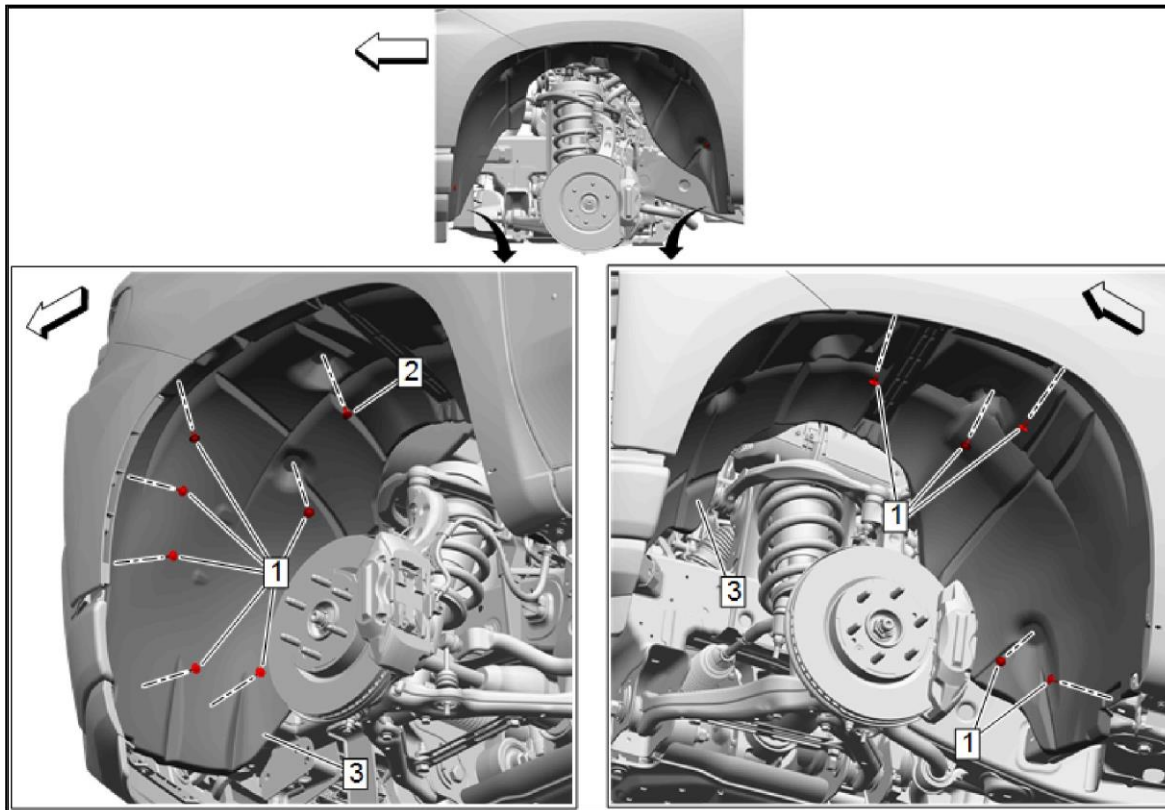


5. Using a flat-bladed plastic trim tool, release the retaining clips.
6. Front Fender Paint Protector (1) » Remove



7. Front Wheelhouse Liner Bolt (1) » Remove [Ilx]
8. Front Wheelhouse Liner Retainer (2) » Remove
9. Front Wheelhouse Liner (3) » Remove

Installation Procedure

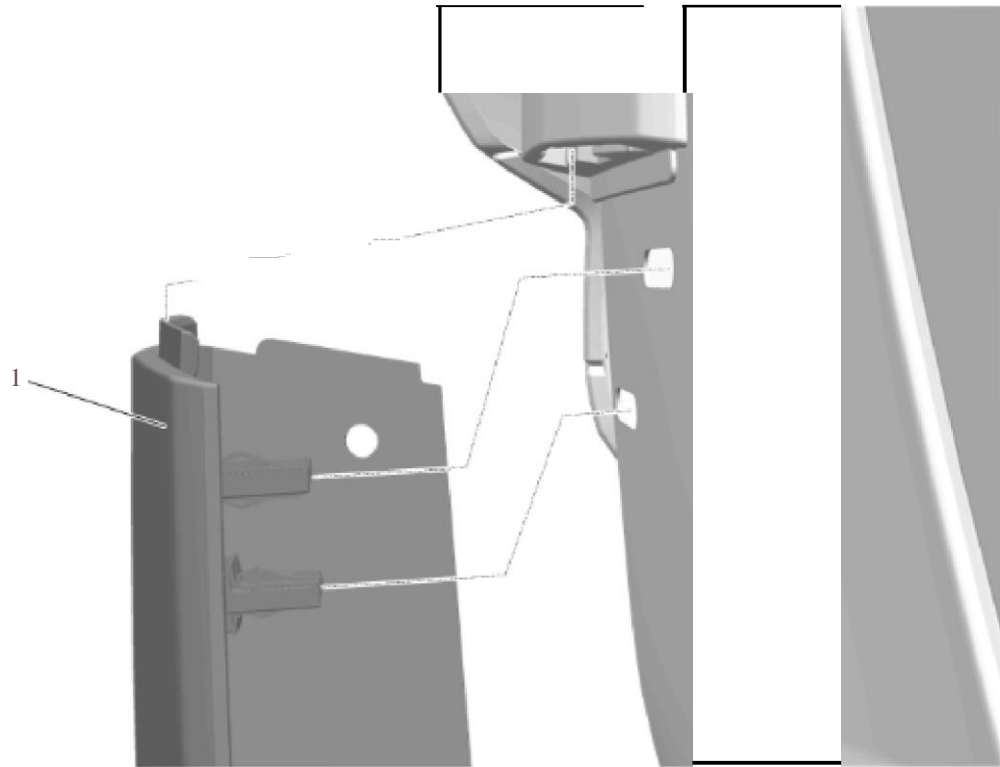


1. Front Wheelhouse Liner (3) » Install

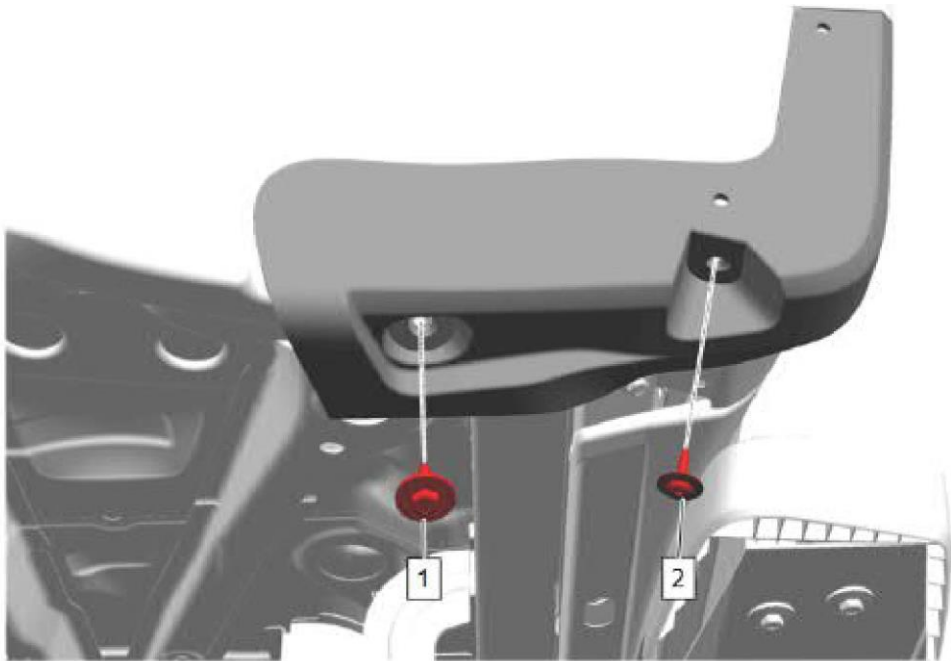
2. Front Wheelhouse Liner Retainer (2) » Install

Caution: Refer to [Fastener Caution](#).

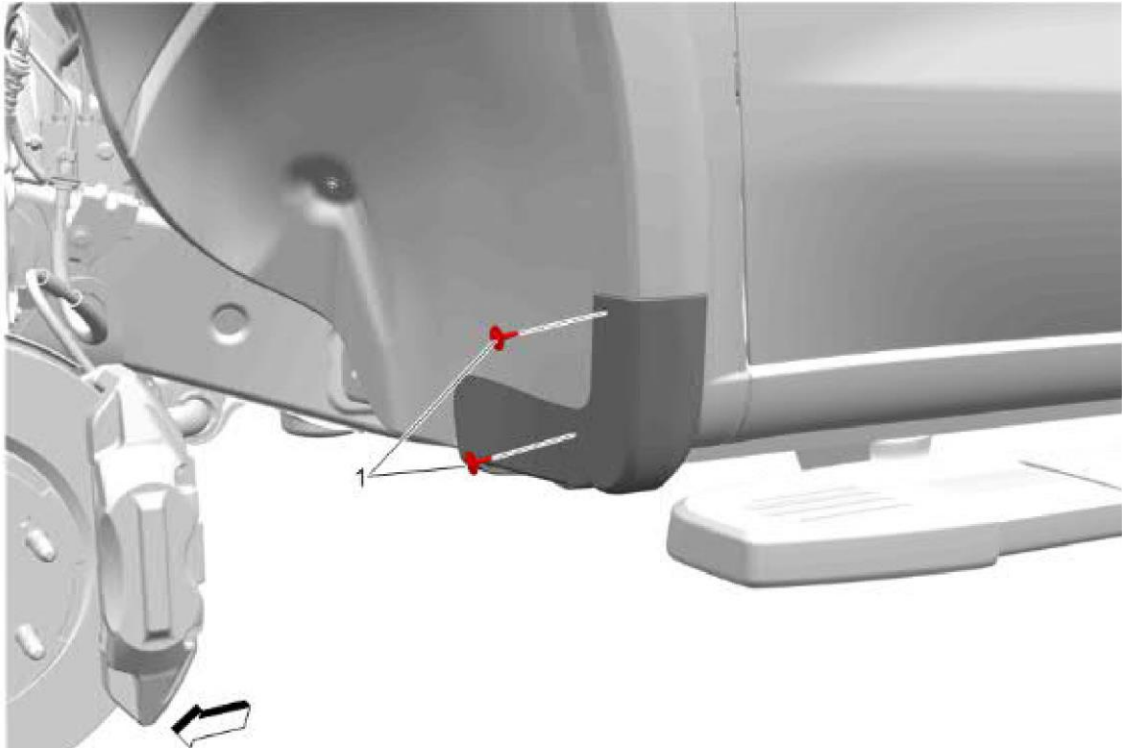
3. Front Wheelhouse Liner Bolt (1) » Install and tighten [11x] - [Fastener 5Recifications](#)



4. Front Fender Paint Protector (1) » Install



6. Front Fender Paint Protector Bolt (1) » Install and tighten - [Fastener S12ecifications](#)



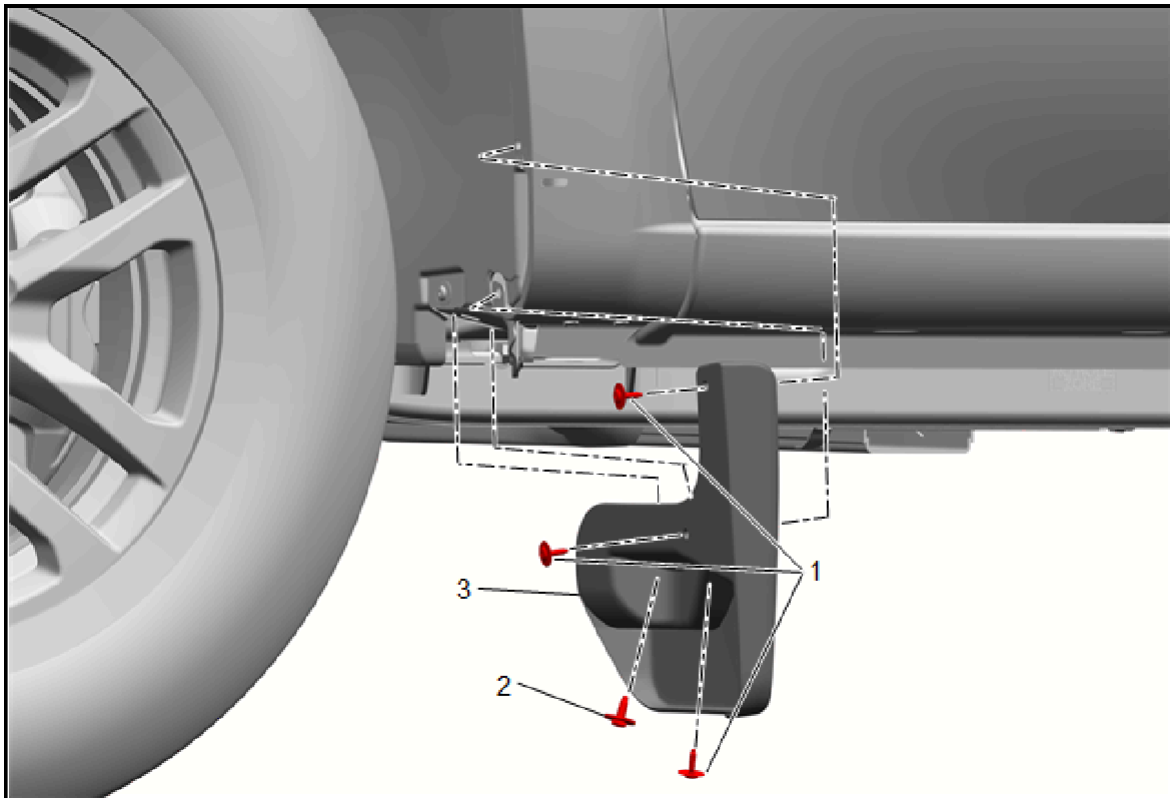
7. Front Fender Paint Protector Bolt (1) » Install and tighten [2x] - [Fastener S12ecifications](#)

8. Install the tire and wheel assembly. [Tire and Wheel Removal and Installation](#)

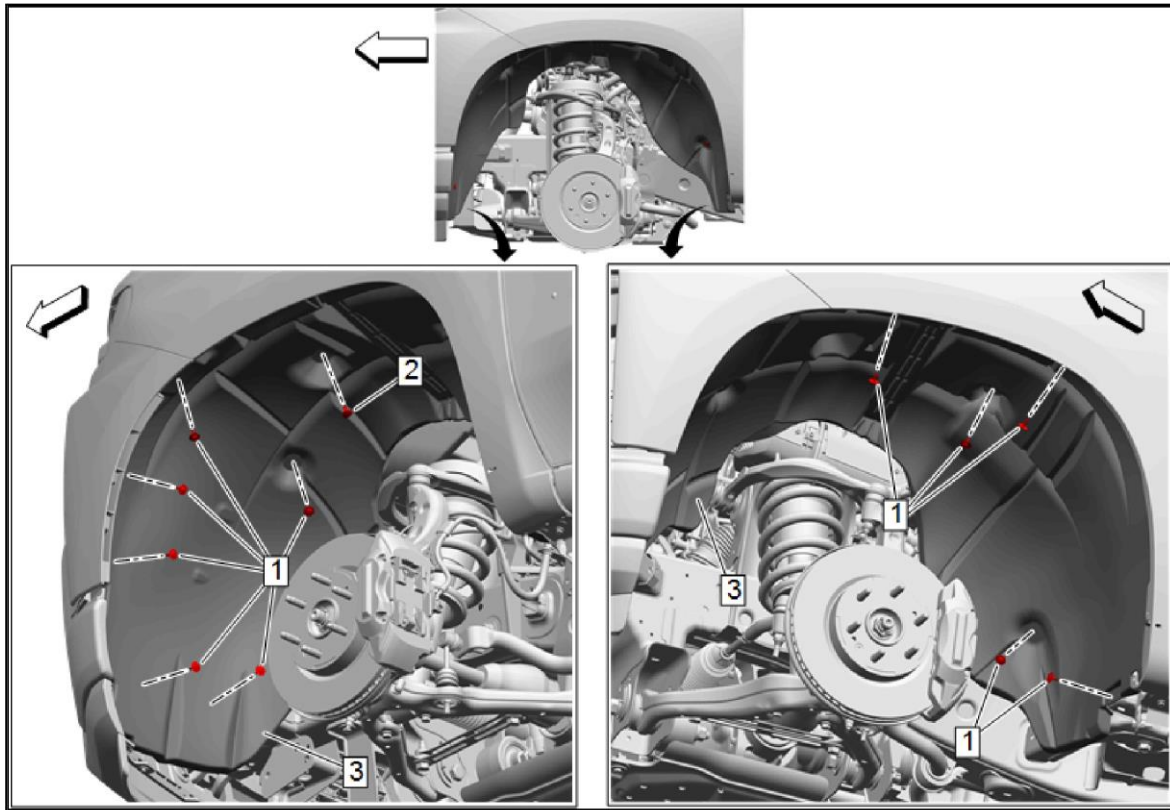
Front Wheelhouse Liner Replacement Silverado LD (without ZR2)

Removal Procedure

1. Remove the tire and wheel assembly. [Tire and Wheel Removal and Installation](#)

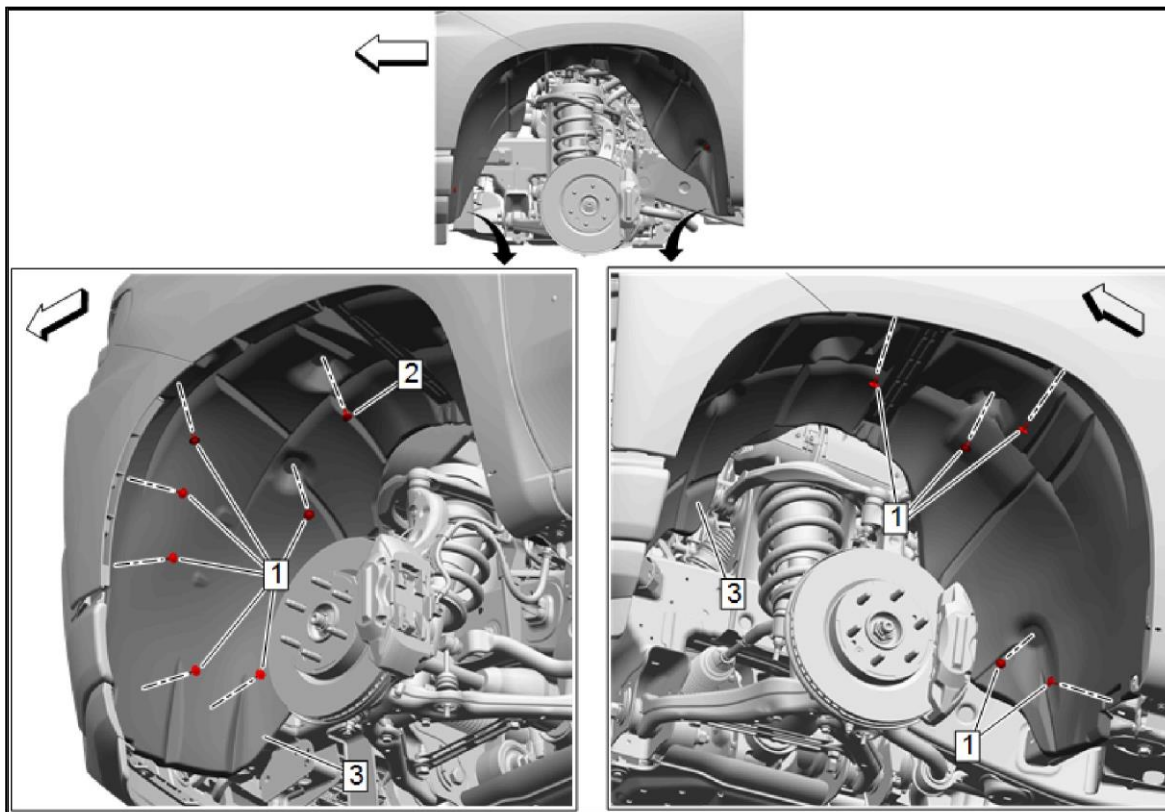


2. Front Fender Paint Protector Bolt (1) » Remove [3x]
3. Front Fender Paint Protector Bolt (2) » Remove
4. Using a flat-bladed plastic trim tool, release the retaining clips.
5. Front Fender Paint Protector (3) » Remove



6. Front Wheelhouse Liner Bolt (1) » Remove [Ilx]
7. Front Wheelhouse Liner Retainer (2) » Remove
8. Front Wheelhouse Liner (3) » Remove

Installation Procedure

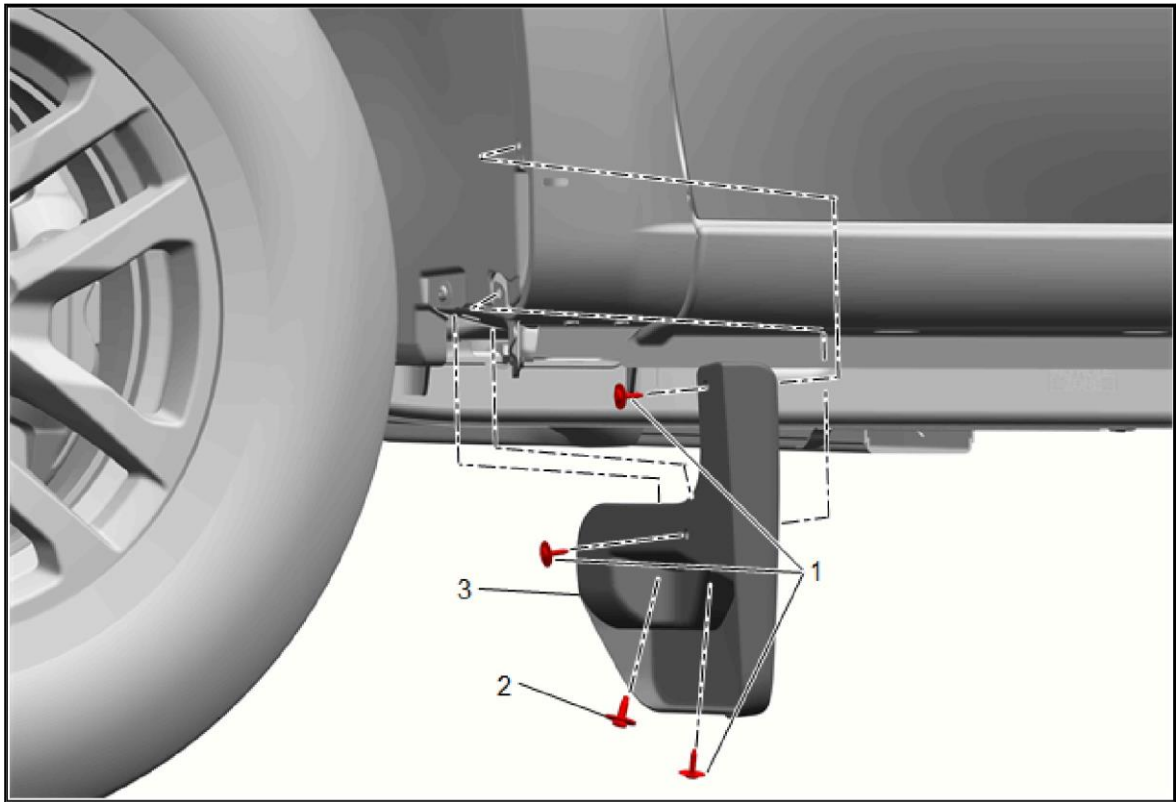


1. Front Wheelhouse Liner (3) » Install

2. Front Wheelhouse Liner Retainer (2) » Install

Caution: Refer to [Fastener Caution](#).

3. Front Wheelhouse Liner Bolt (1) » Install and tighten [11x] - [Fastener 5Recifications](#)

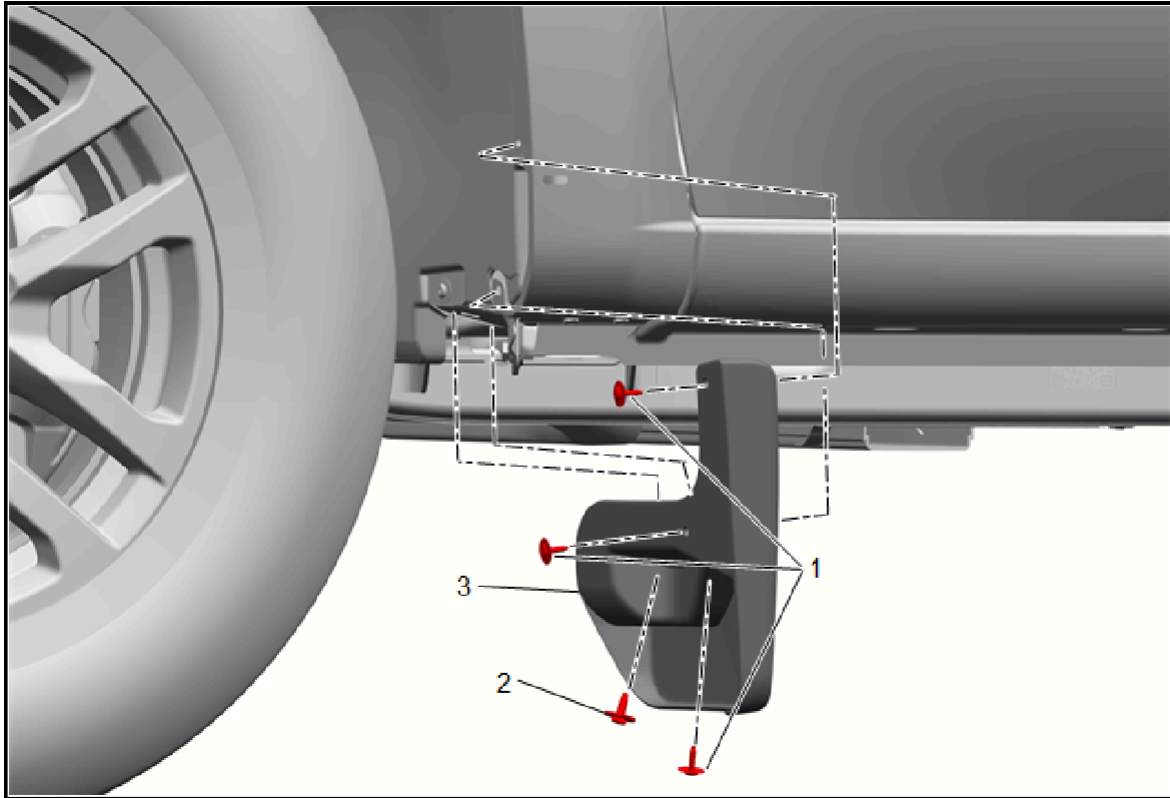


4. Front Fender Paint Protector (3) » Install
5. Front Fender Paint Protector Bolt (2) » Install and tighten - [Fastener Specifications](#)
6. Front Fender Paint Protector Bolt (1) » Install and tighten [3x] - [Fastener Specifications](#)
7. Install the tire and wheel assembly. [Tire and Wheel Removal and Installation](#)

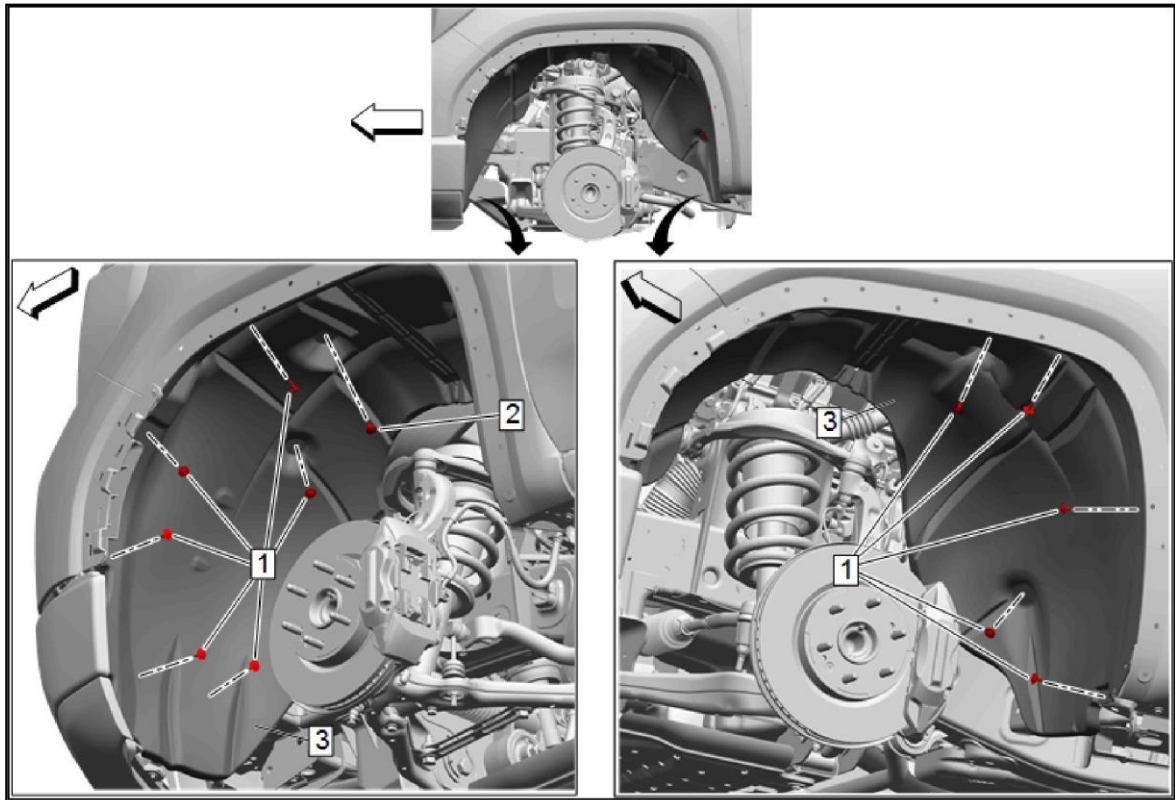
Front Wheelhouse Liner Replacement – Sierra LD

Removal Procedure

1. Remove the tire and wheel assembly. [Tire and Wheel Removal and Installation](#)

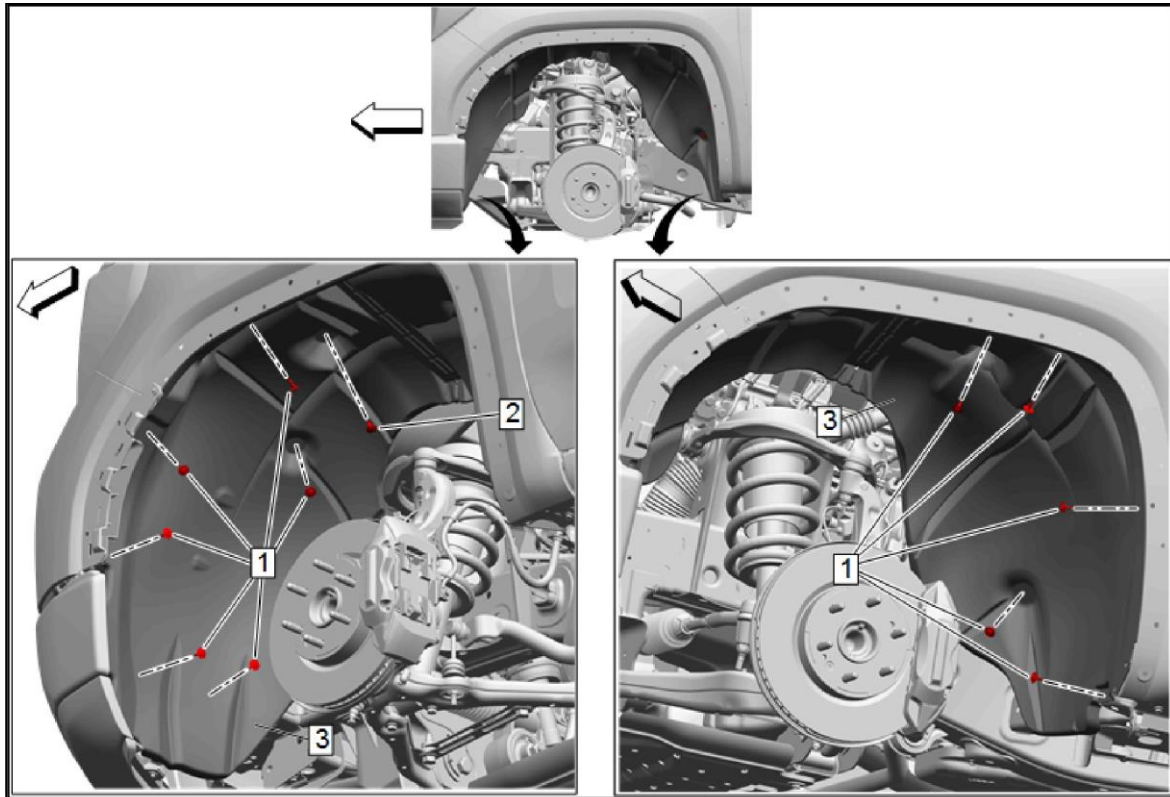


2. Front Fender Paint Protector Bolt (1) » Remove [3x]
3. Front Fender Paint Protector Bolt (2) » Remove
4. Using a flat-bladed plastic trim tool, release the retaining clips.
5. Front Fender Paint Protector (3) » Remove

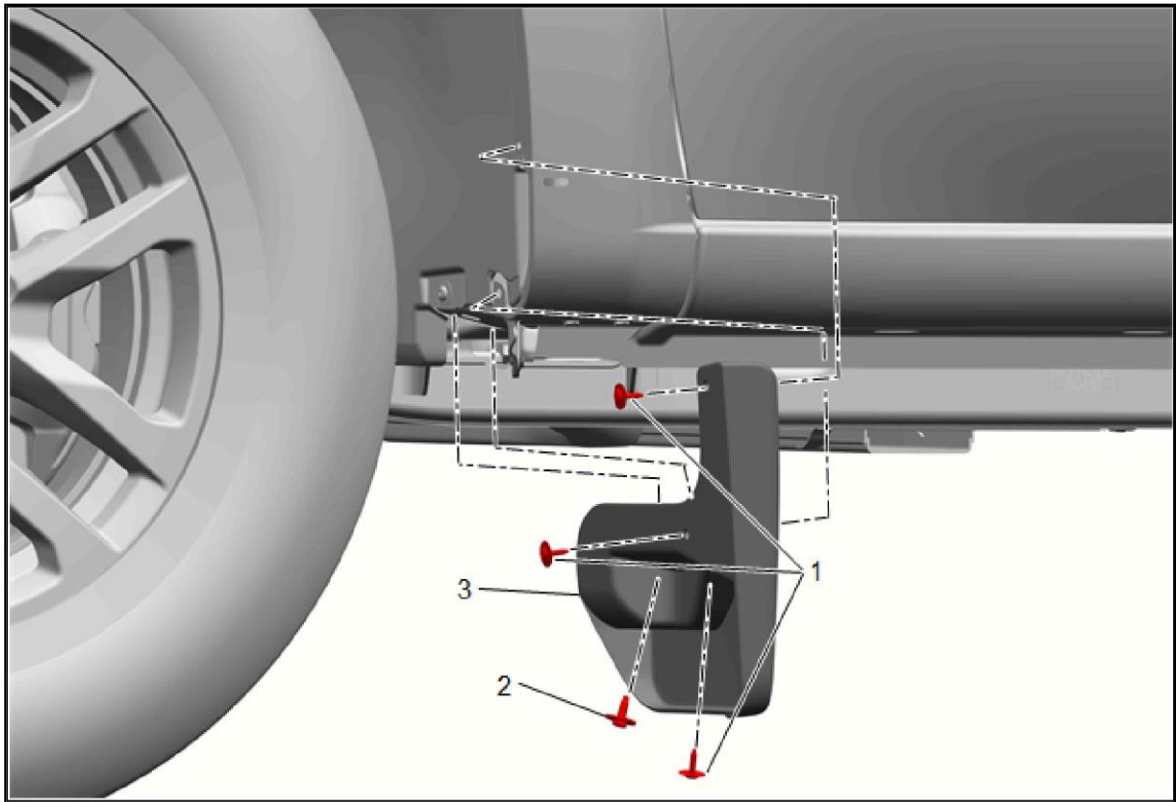


6. Front Wheelhouse Liner Bolt (1) » Remove [11x]
7. Front Wheelhouse Liner Retainer (2) » Remove
8. Front Wheelhouse Liner (3) » Remove

Installation Procedure



1. Front Wheelhouse Liner (3) » Install
2. Front Wheelhouse Liner Retainer (2) » Install
- Caution:** Refer to [Fastener Caution](#).
3. Front Wheelhouse Liner Bolt (1) » Install and tighten [11x] - [Fastener Specifications](#)

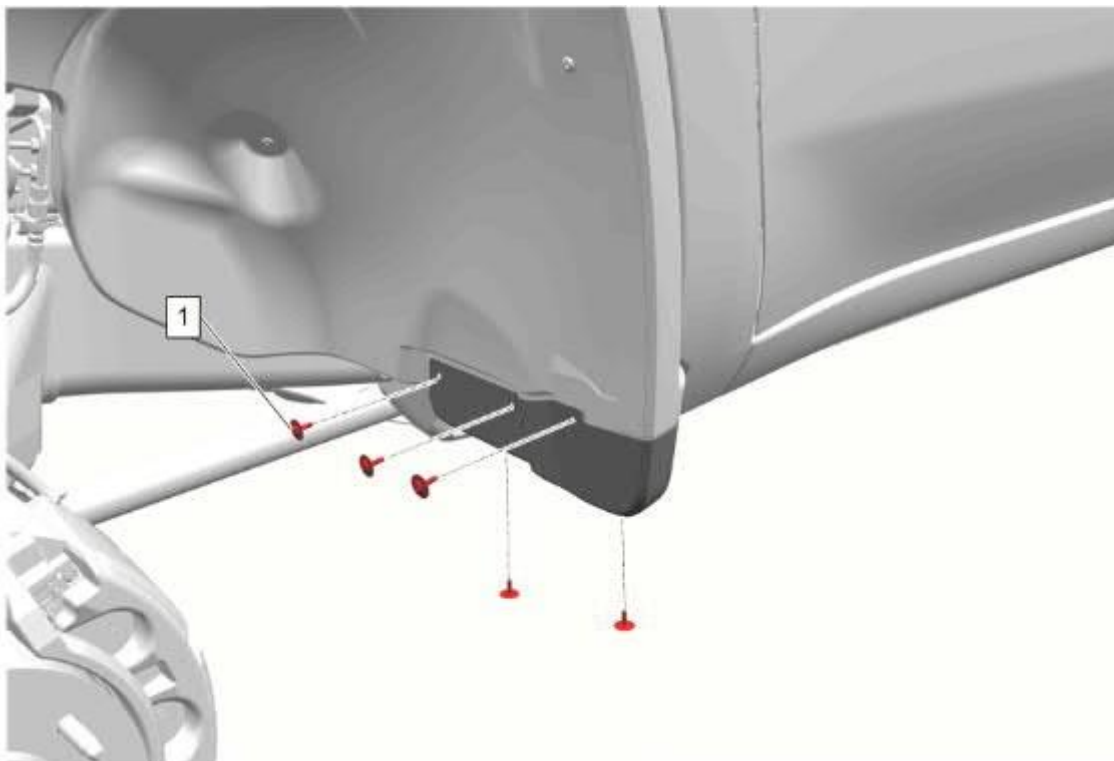


4. Front Fender Paint Protector (3) » Install
5. Front Fender Paint Protector Bolt (2) » Install and tighten - [Fastener Specifications](#)
6. Front Fender Paint Protector Bolt (1) » Install and tighten [3x] - [Fastener Specifications](#)
7. Install the tire and wheel assembly. [Tire and Wheel Removal and Installation](#)

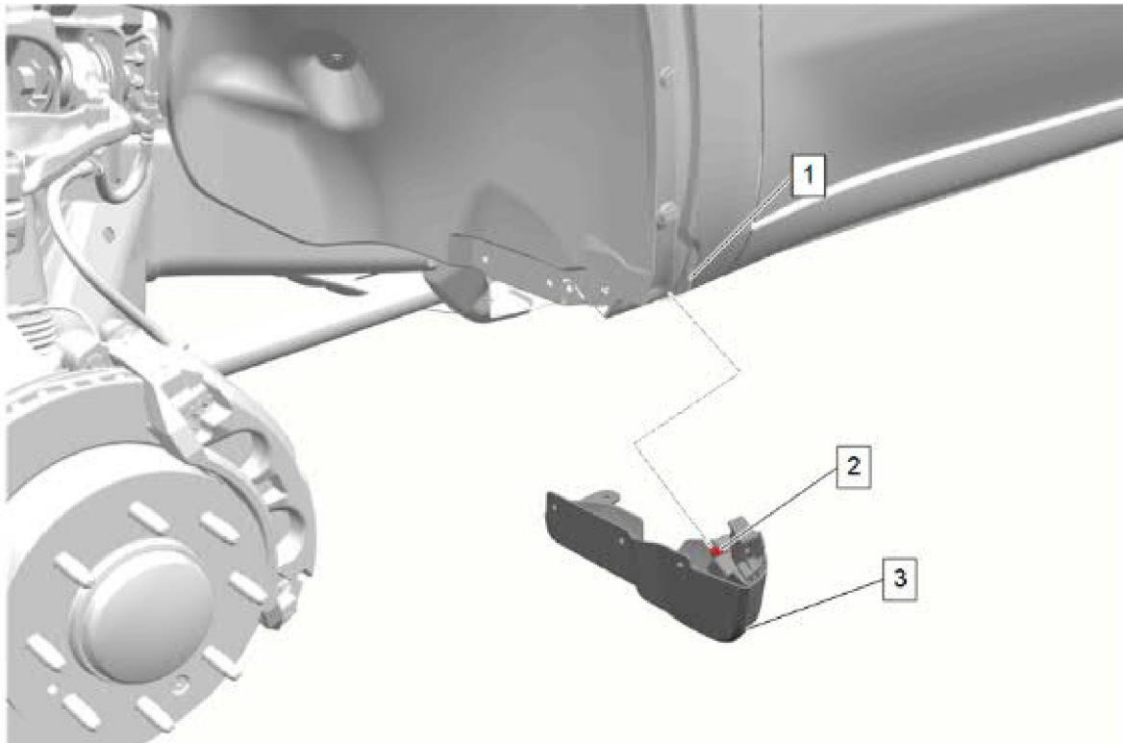
Front Wheelhouse Liner Replacement Chevrolet Silverado HD

Removal Procedure

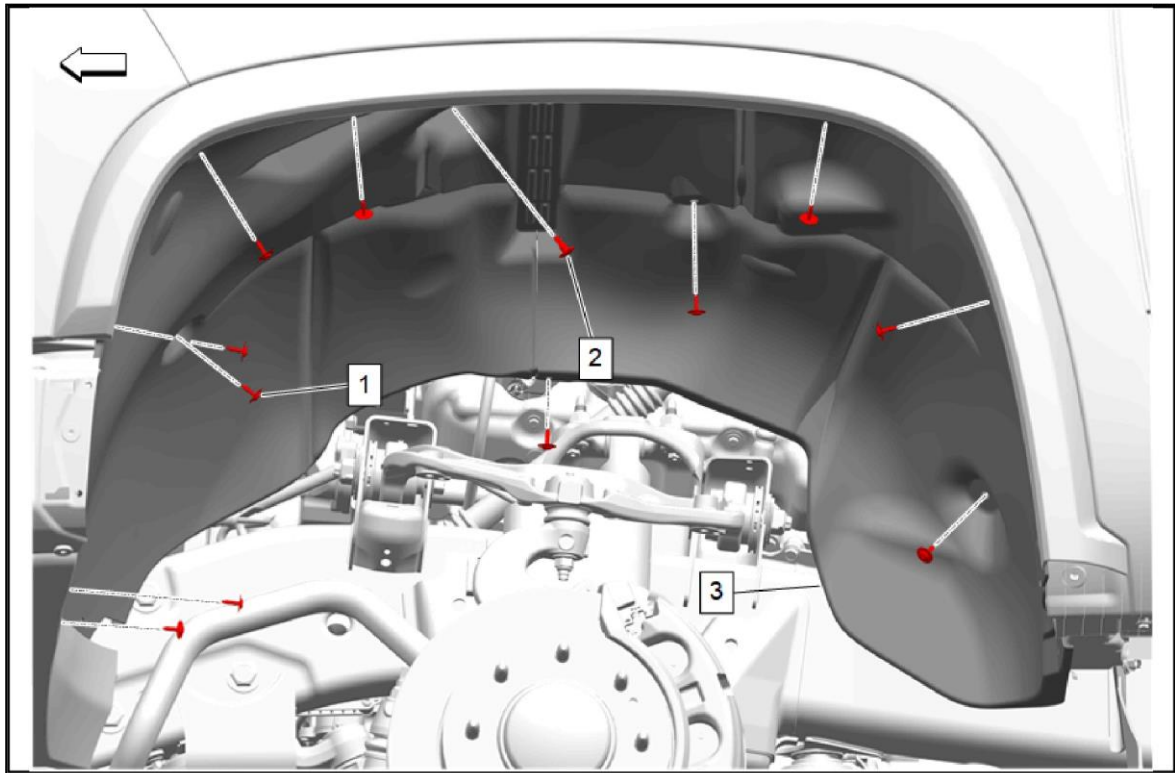
1. Remove the front tire and wheel assembly. [Tire and Wheel Removal and Installation](#)



2. Front Fender Paint Protector Bolt (1) » Remove [Sx]

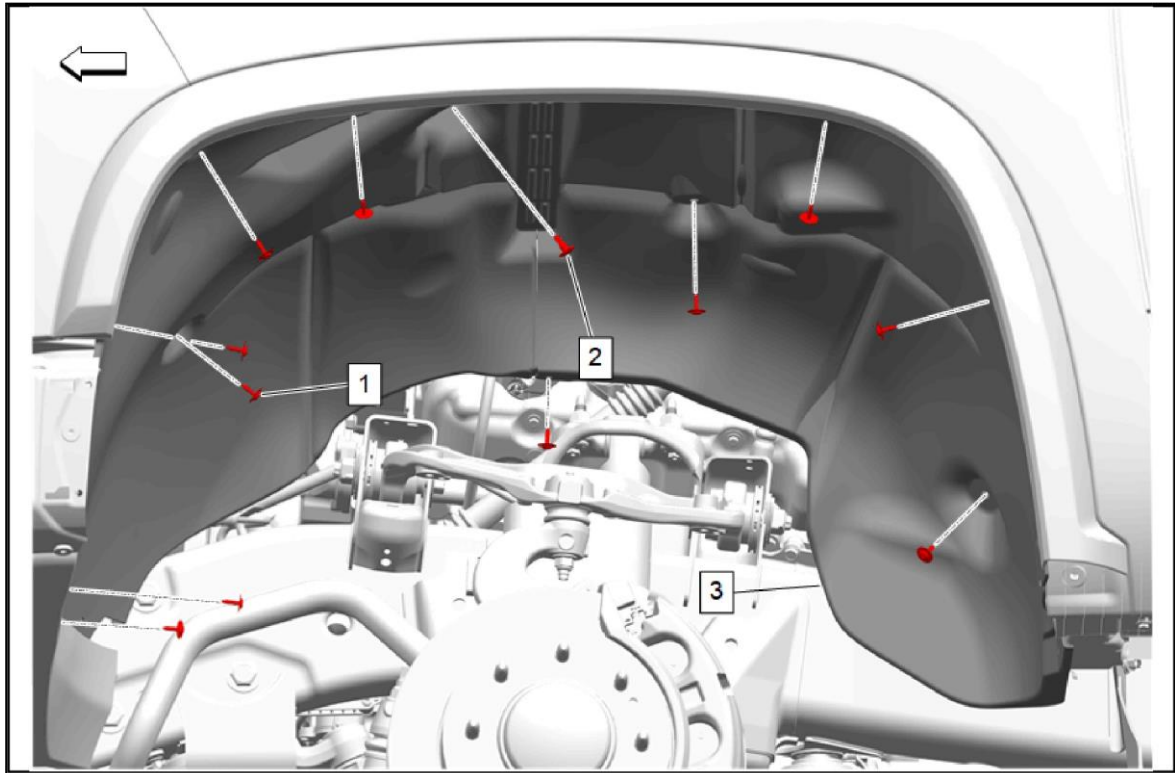


3. Pull the front wheel opening molding (1) outwards enough to access and remove the front fender paint protector retainer (2).
4. Front Fender Paint Protector (3) » Remove

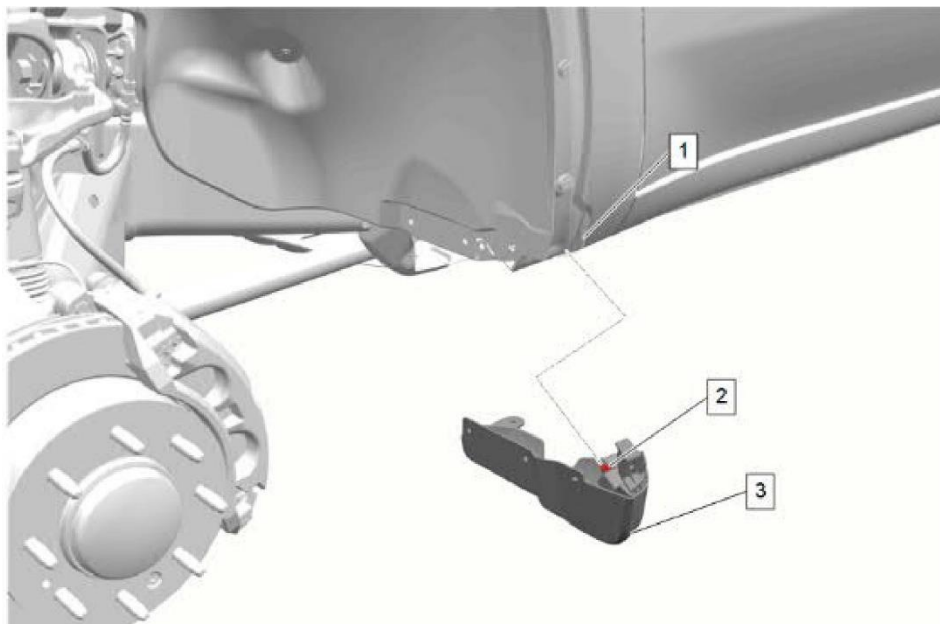


5. Front Wheelhouse Liner Bolt (1) » Remove [llx]
6. Front Wheelhouse Liner Retainer (2) » Remove
7. Front Wheelhouse Liner (3) » Remove

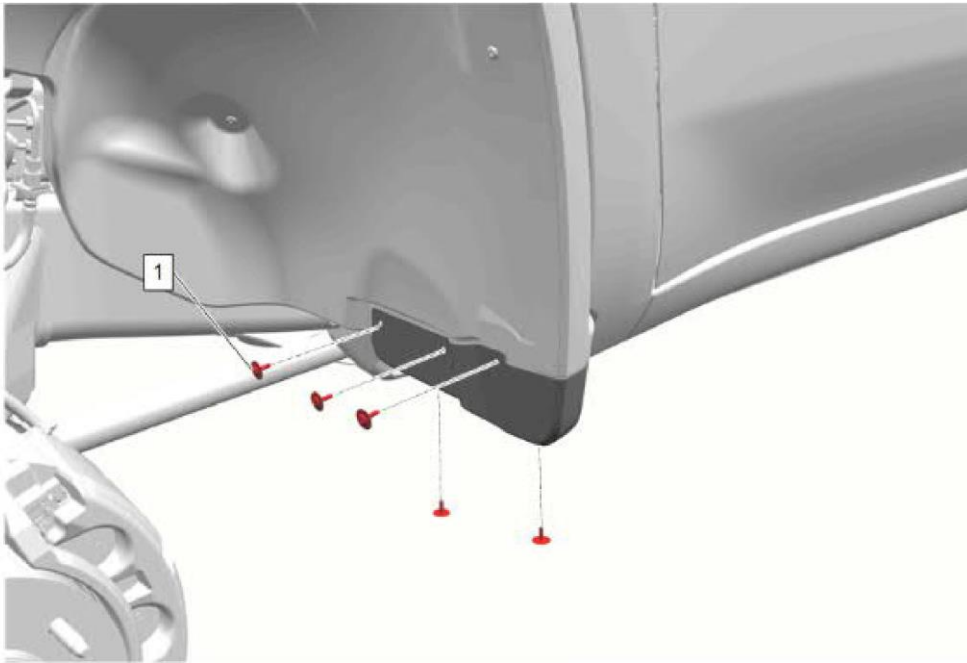
Installation Procedure



1. Front Wheelhouse Liner (3) » Install
2. Front Wheelhouse Liner Retainer (2) » Install
- Caution:** Refer to [Fastener Caution](#)
3. Front Wheelhouse Liner Bolt (1) » Install and tighten [11x] - [Fastener Specifications](#)



4. Front Fender Paint Protector (3) » Install
5. Install the front fender paint protector retainer (2) and position the front wheel opening molding (1).

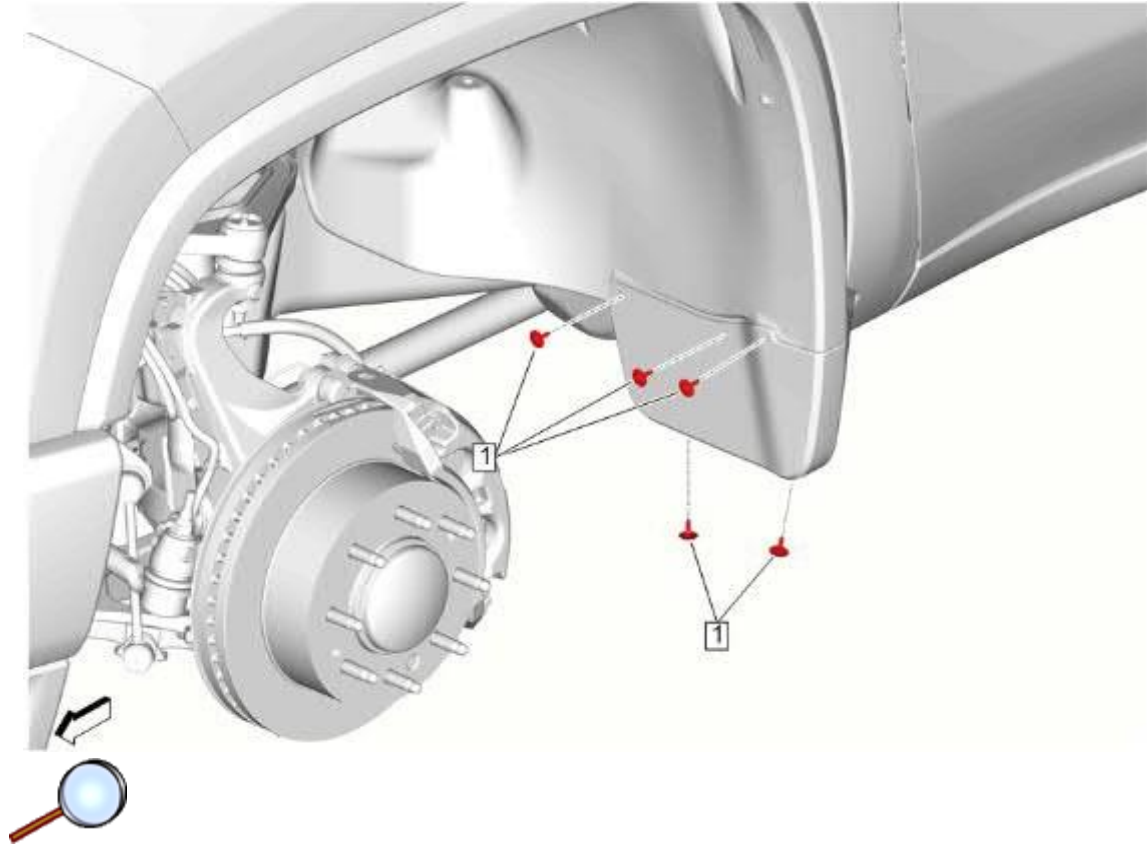


6. Front Fender Paint Protector Bolt (1) » Install and tighten [Sx] - [Fastener Specifications](#)
7. Install the front tire and wheel assembly. [Tire and Wheel Removal and Installation](#)

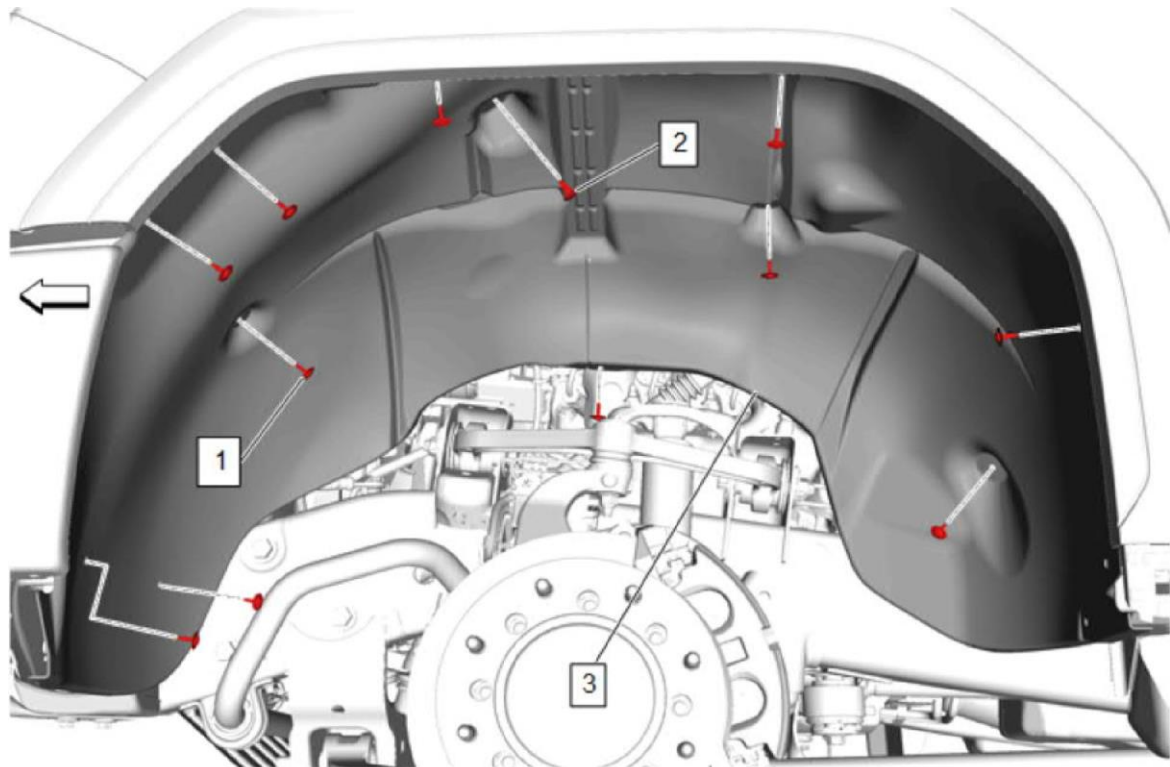
Front Wheelhouse Liner Replacement – GMC Sierra HD

Removal Procedure

1. Remove the tire and wheel assembly. [Tire and Wheel Removal and Installation](#)

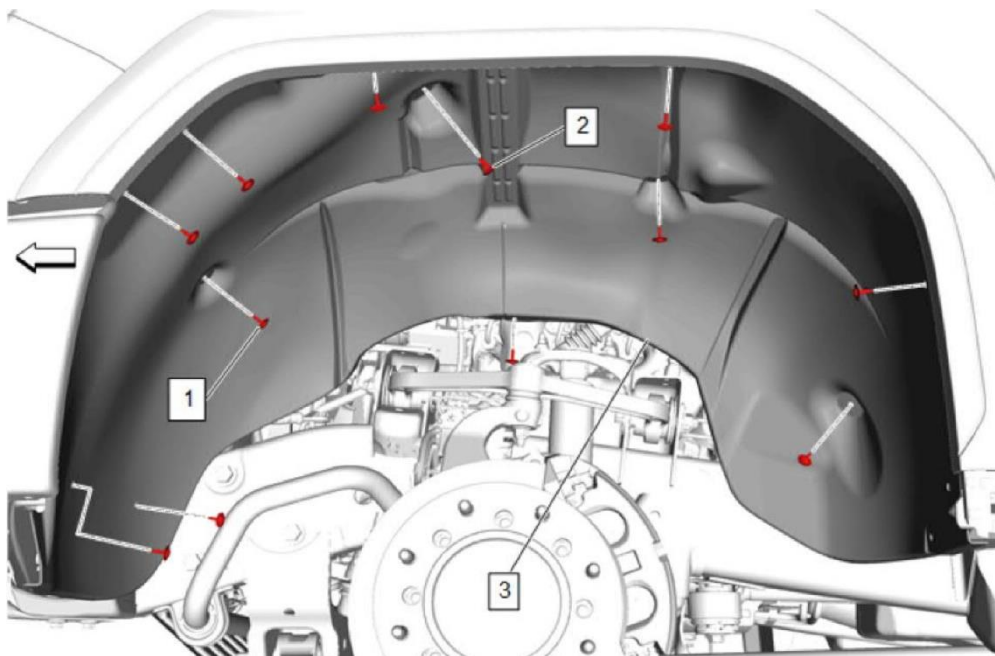


2. Front Fender Paint Protector Bolt (1) » Remove [Sx]

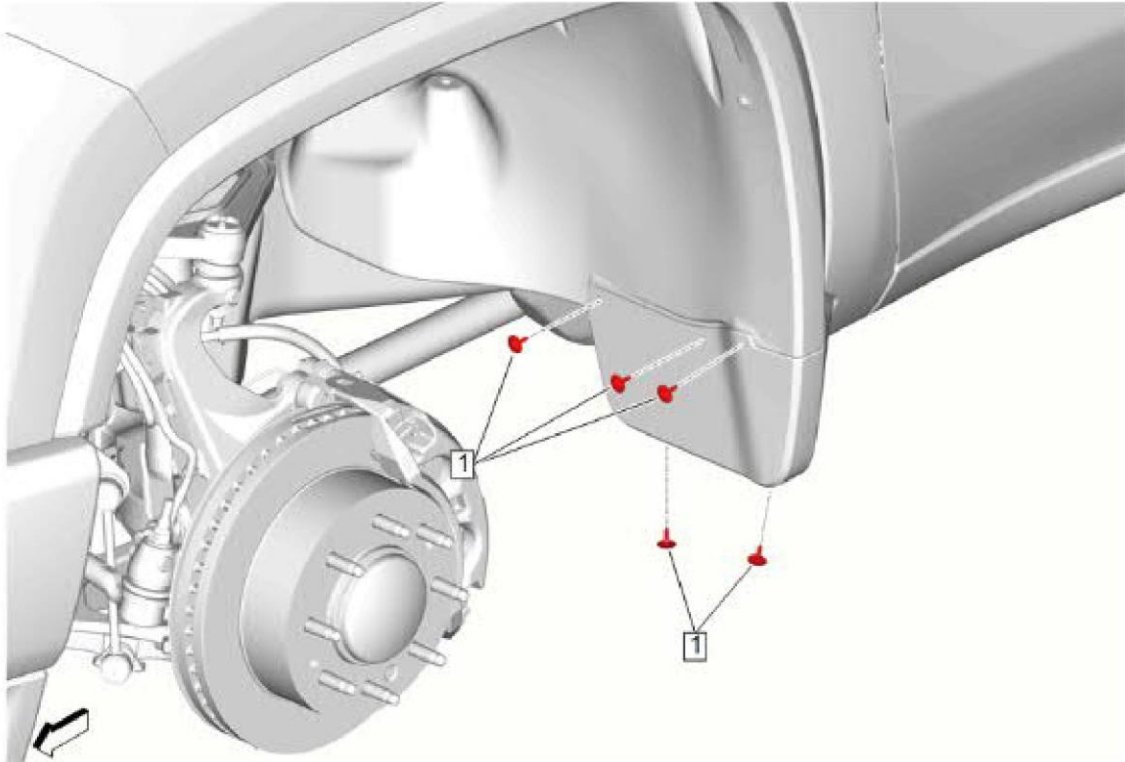


- 3. Front Wheelhouse Liner Bolt (1) » Remove [IOx]
- 4. Front Wheelhouse Liner Retainer (2) » Remove
- 5. Front Wheelhouse Liner (3) » Remove

Installation Procedure



1. Front Wheelhouse Liner (3) » Install
2. Front Wheelhouse Liner Retainer (2) » Install
- Caution:** Refer to [Fastener Caution](#)
3. Front Wheelhouse Liner Bolt (1) » Install and tighten [10x] - [Fastener Specifications](#)



4. Front Fender Paint Protector Bolt (1) » Install and tighten [Sx] - [Fastener Specifications](#)
5. Install the tire and wheel assembly. [Tire and Wheel Removal and Installation](#)