

Subject: Installing a Backup Alarm Silverado EV WT
Models Years Affected: 2024 – Beyond
Models Affected: Silverado EV WT
Origination Date: May 20, 2024
Revision Date: N/A

ADVISORY:

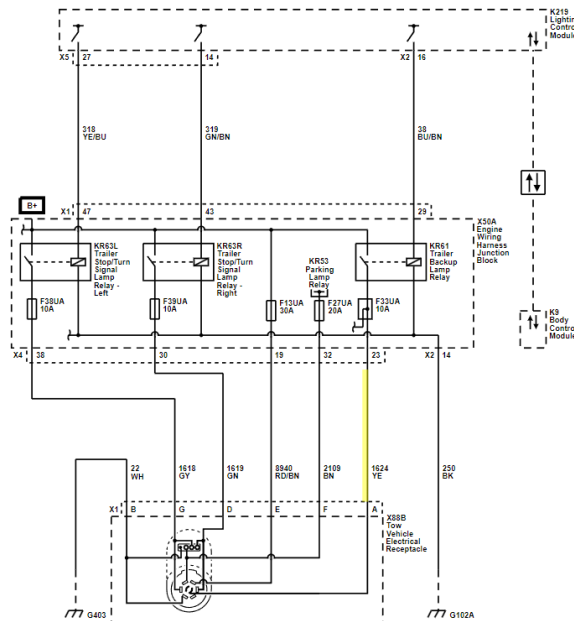
Condition/Concern:

Upfitters looking to install an after-market backup alarm on the vehicle need wiring and mounting information.

Recommendations:

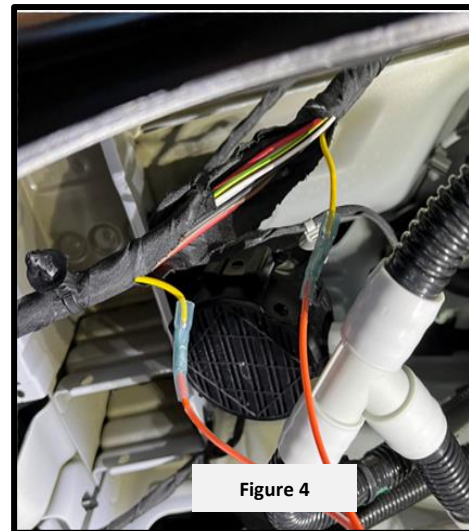
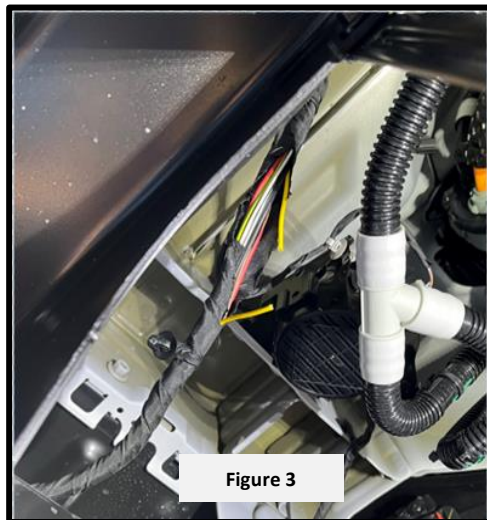
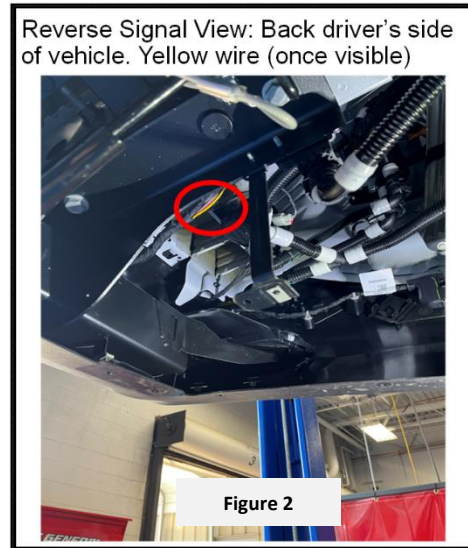
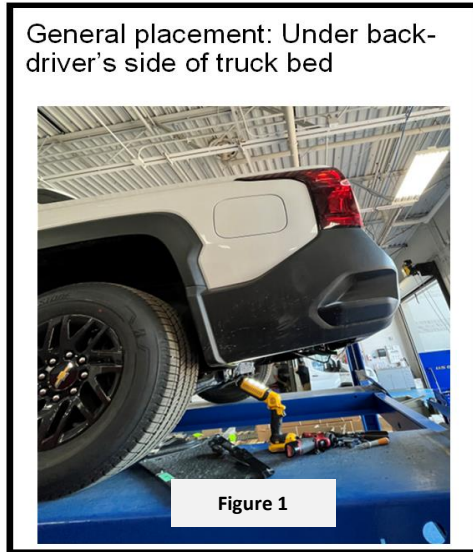
It is recommended that upfitters utilize the Trailer Backup lamp circuit (circuit 1624/yellow wire) to install their after-market backup alarm.

CAUTION: Prior to mounting the backup refer to UI Bulletin 195 for information on the NO DRILL areas to prevent any damage to the vehicle’s HV components and/or personal injury.



General Motors Upfitter Integration
<http://www.gmupfitter.com>

1. The trailer wiring is accessible by removing the close-out panel behind the LR wheel – (see figure 1).
2. Partially remove the harness tape wrapping to expose the wires in the harness – (see figure 2)
3. Insert a Loop back circuit to the backup alarm as shown in Figures 3 and 4 or simply tap into the yellow wire. Be sure to use environmentally seal connections to prevent any corrosion to the wiring.



Additional Information:

Use of the trailer backup lamps circuit prevents the unwanted activation of the backup alarm during entry and exit lighting events.